



US00D606809S

(12) **United States Design Patent**
Fletcher

(10) **Patent No.:** **US D606,809 S**

(45) **Date of Patent:** **** Dec. 29, 2009**

(54) **PUZZLE COFFEE MUG**

(76) **Inventor:** **Stuart D. Fletcher**, 5011 Harp Dr.,
Linden, MI (US) 48451

(**) **Term:** **14 Years**

(21) **Appl. No.:** **29/340,022**

(22) **Filed:** **Jul. 13, 2009**

(51) **LOC (9) Cl.** **07-01**

(52) **U.S. Cl.** **D7/514; D7/515; D7/536;**
D21/479

(58) **Field of Classification Search** D7/505,
D7/507, 509-536; D21/480, 479; 273/157 R;
D9/600

See application file for complete search history.

(56) **References Cited**

U.S. PATENT DOCUMENTS

2,299,730	A *	10/1942	Bornstein	220/718
3,704,892	A *	12/1972	Moravick et al.	273/157 R
4,943,684	A *	7/1990	Kramer	428/34.4
D378,263	S *	3/1997	Lage	D7/536
D427,017	S *	6/2000	Reimer	D7/516
D455,047	S *	4/2002	Wolfe et al.	D7/514
D455,048	S *	4/2002	Marck	D7/536
D487,555	S *	3/2004	Hurlbut	D7/515

D519,166	S *	4/2006	Chuang	D21/479
7,021,625	B2 *	4/2006	Simmons	273/157 R
D520,376	S *	5/2006	Nolie	D9/600
7,311,306	B2 *	12/2007	Chuang	273/153 S
D563,236	S *	3/2008	Claffey	D9/600

* cited by examiner

Primary Examiner—Marianne Pandozzi

(74) *Attorney, Agent, or Firm*—Brooks Kushman P.C.

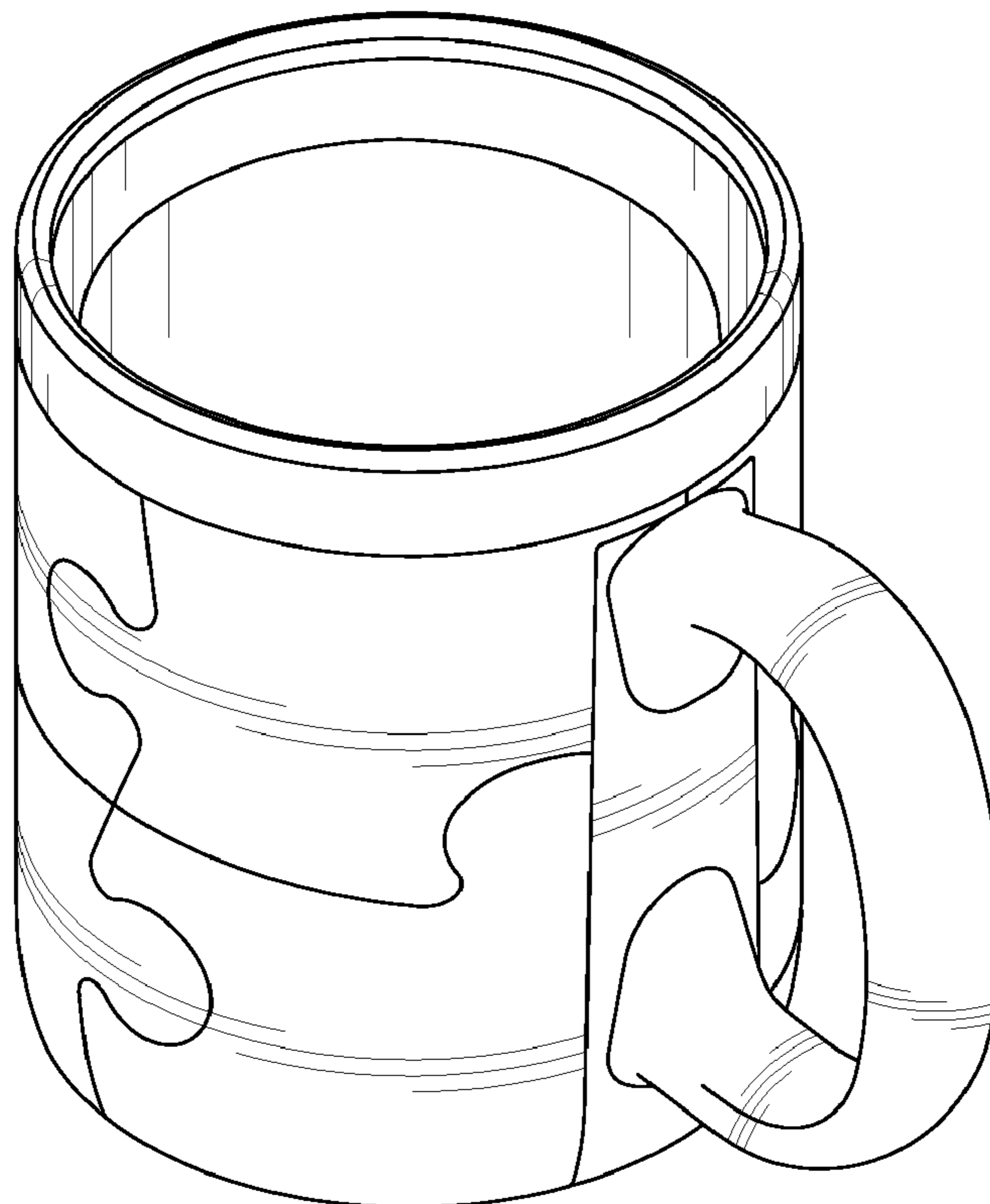
(57) **CLAIM**

The ornamental design for a puzzle coffee mug, as shown and described.

DESCRIPTION

FIG. 1 is a top/right side perspective view thereof;
FIG. 2 is a bottom/left side perspective view thereof;
FIG. 3 is a front elevation view thereof;
FIG. 4 is a rear elevation view thereof;
FIG. 5 is a top plan view thereof;
FIG. 6 is a bottom plan view thereof;
FIG. 7 is a right elevation view thereof; and,
FIG. 8 is a left elevation view thereof.

1 Claim, 3 Drawing Sheets



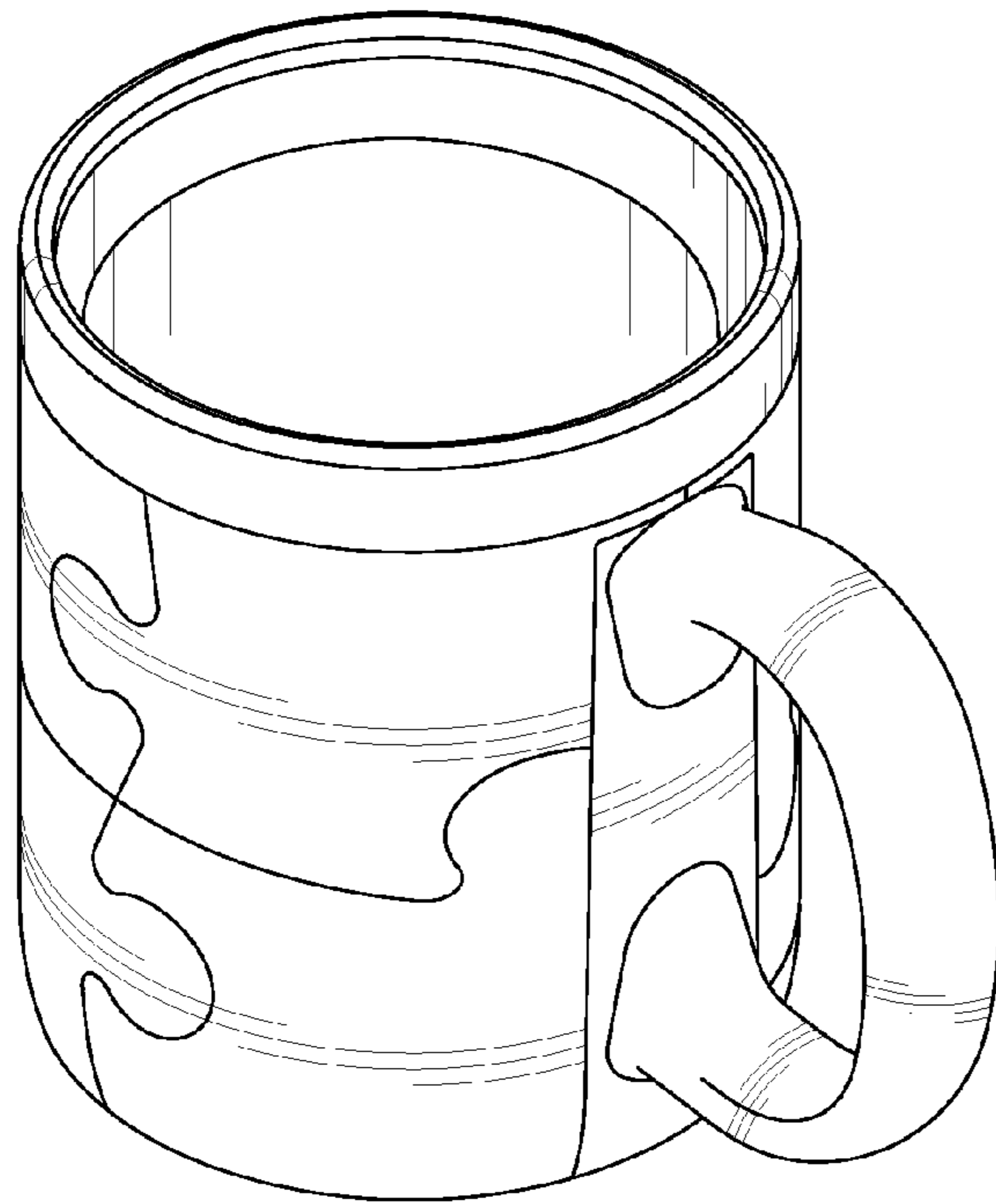


Fig-1

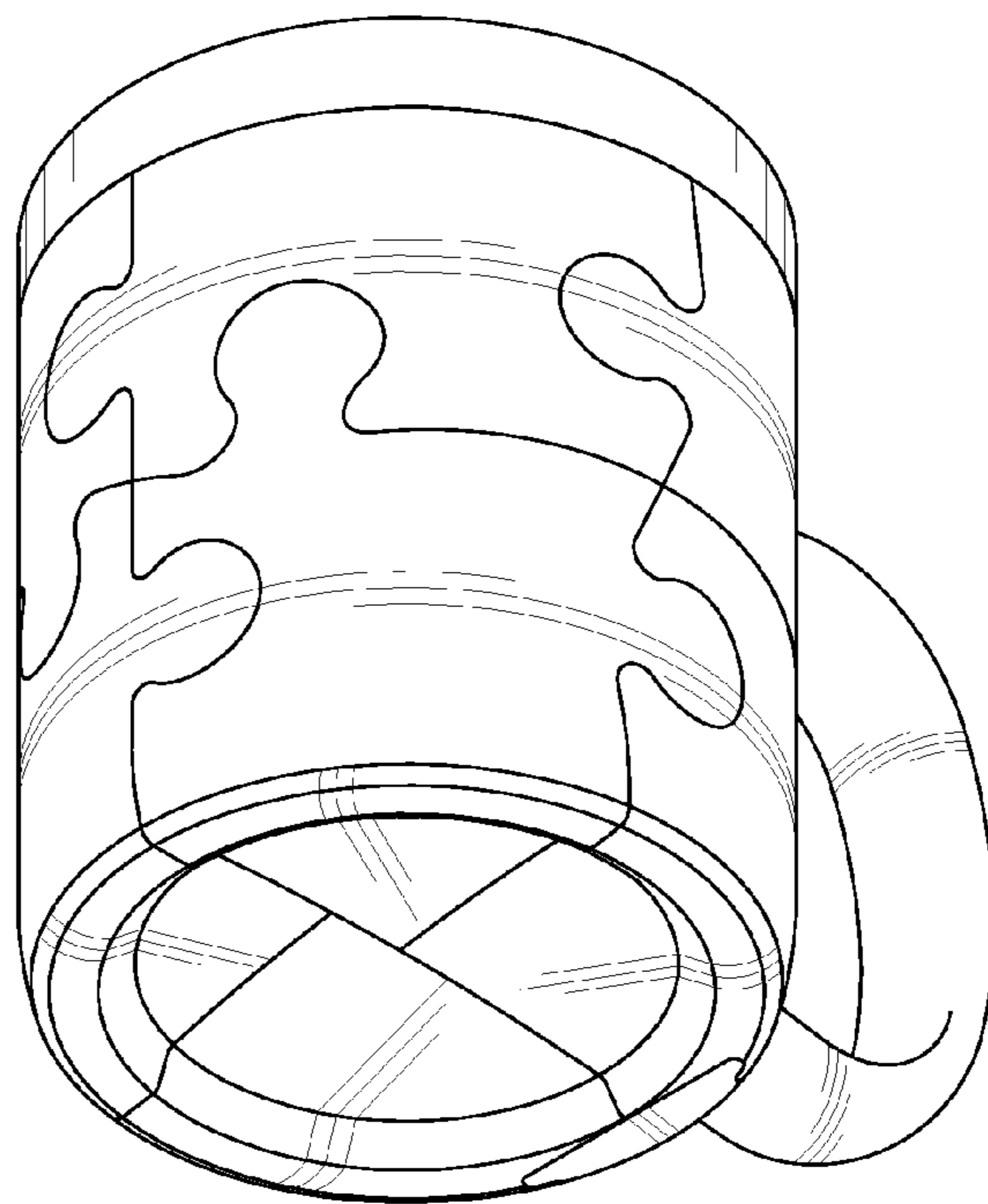


Fig-2

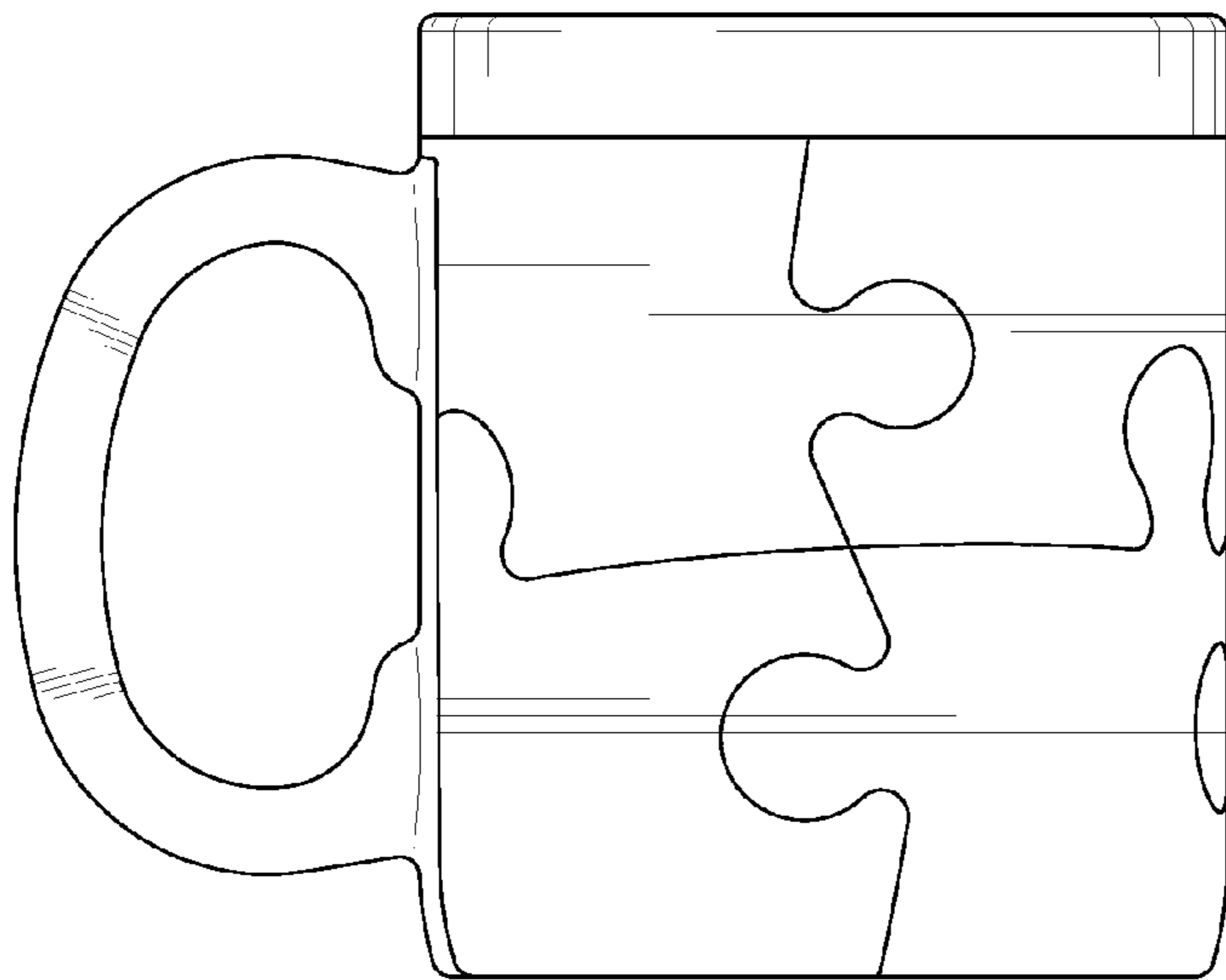


Fig-3

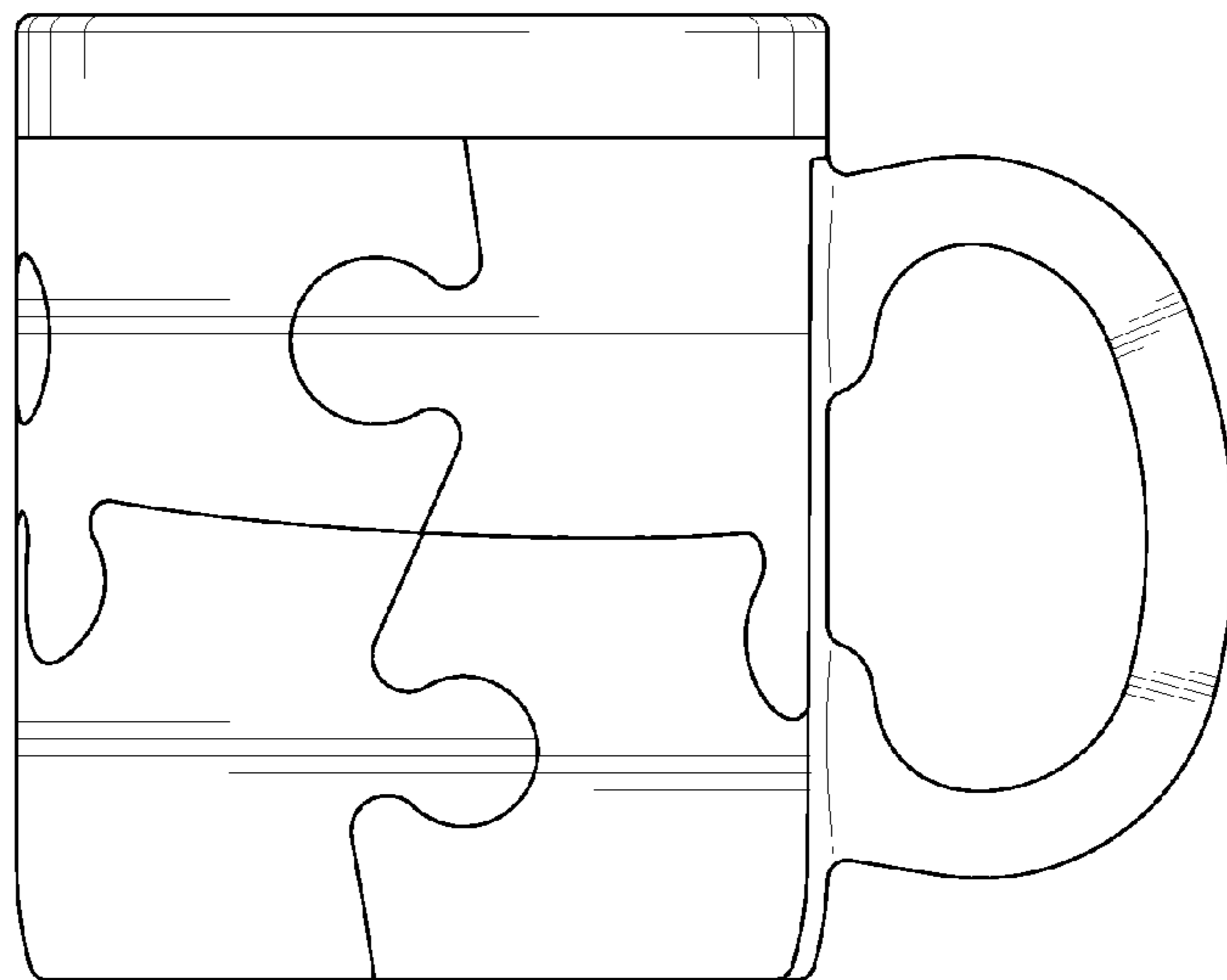


Fig-4

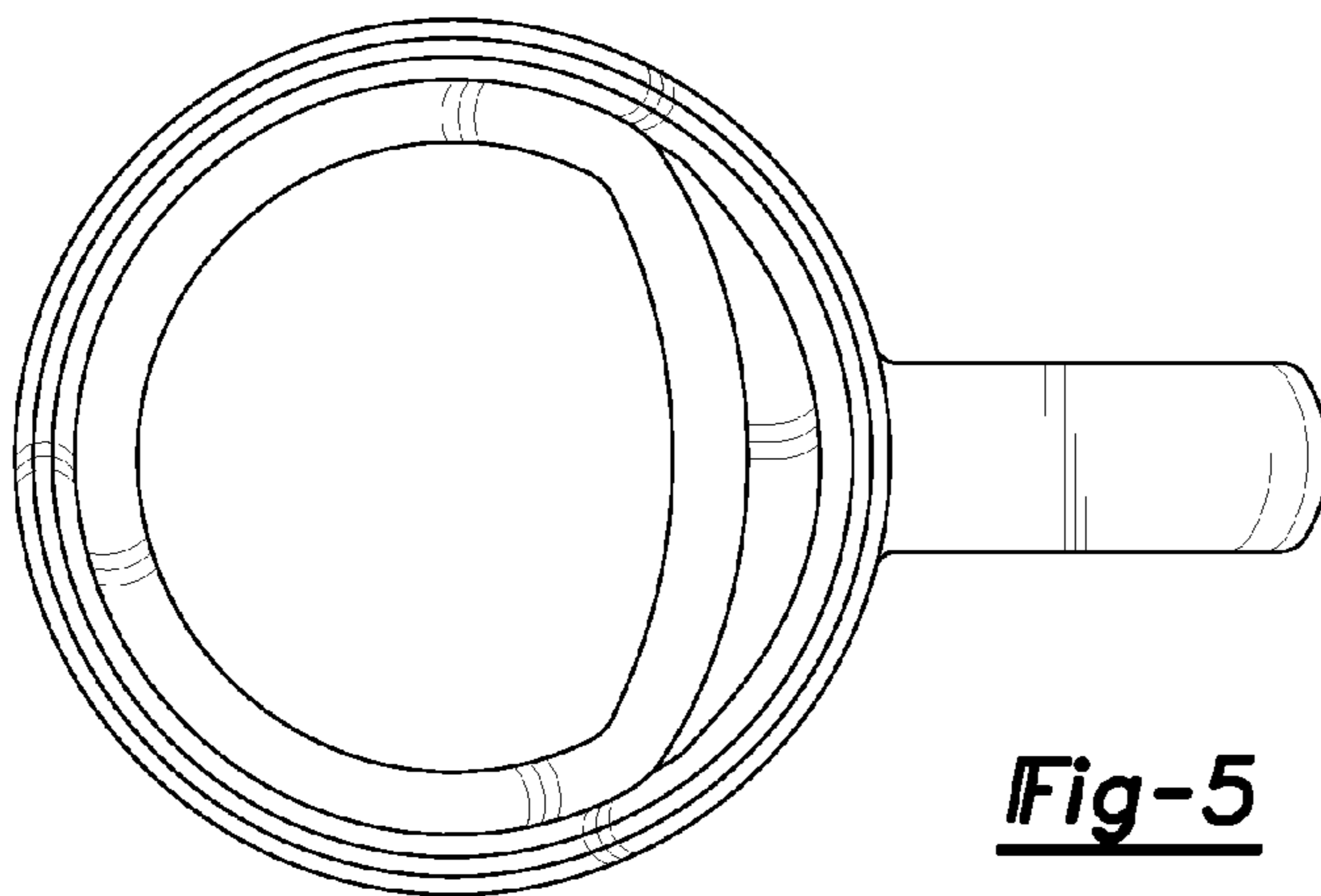


Fig-5

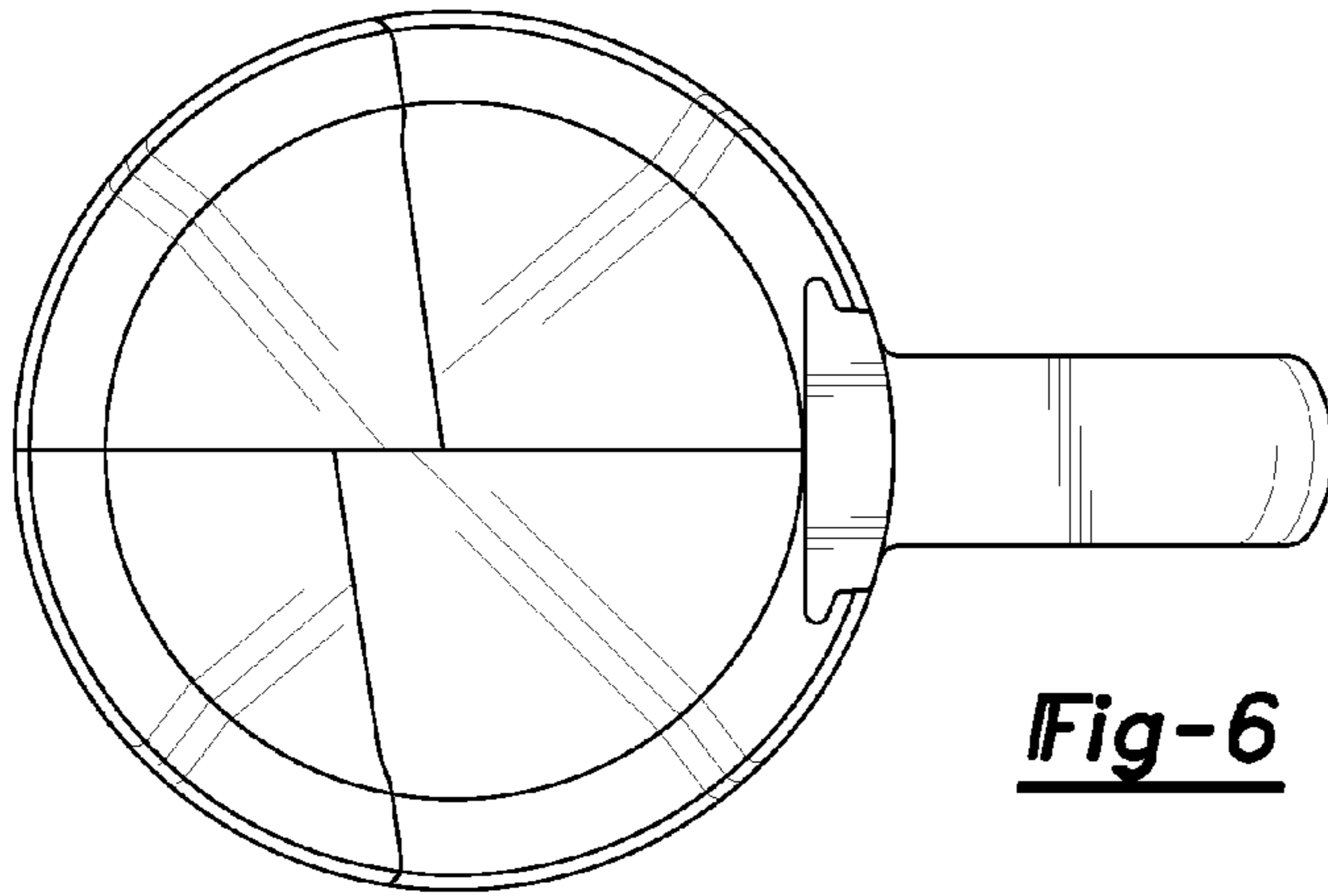


Fig-6

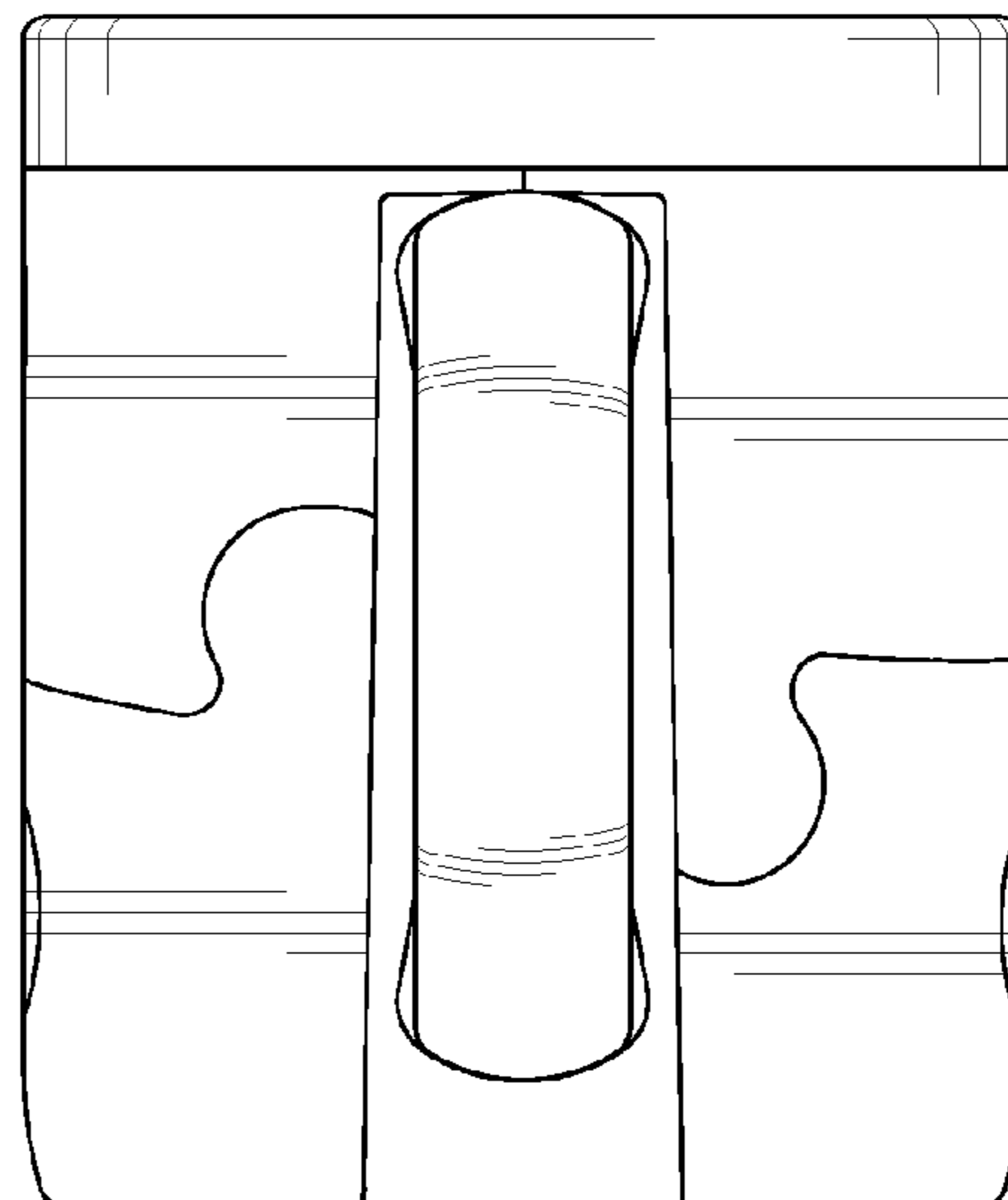


Fig-7

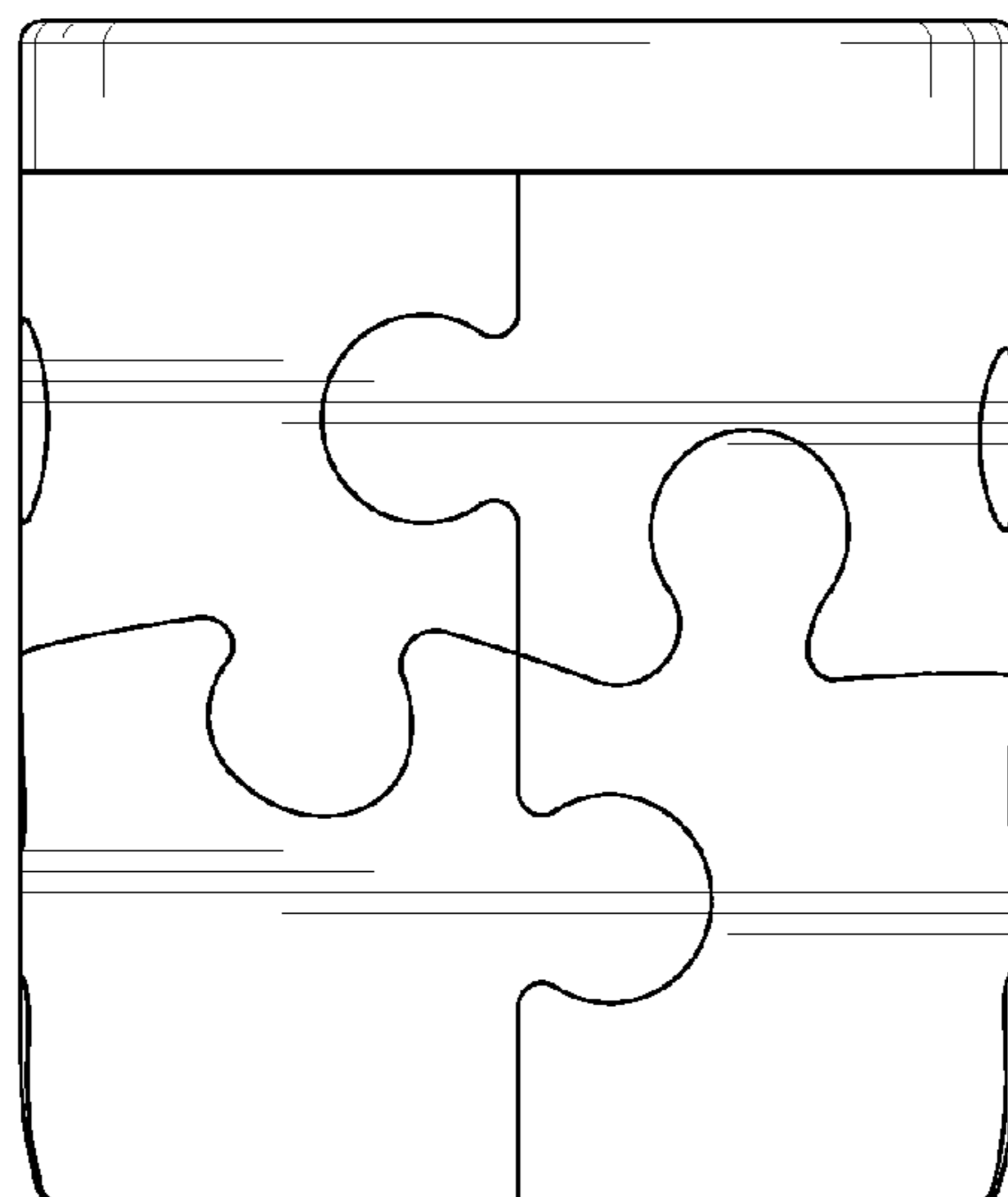


Fig-8