



US00D606804S

(12) **United States Design Patent**  
**Picozza et al.**

(10) **Patent No.:** **US D606,804 S**

(45) **Date of Patent:** **\*\* Dec. 29, 2009**

(54) **SLOW COOKER**

(75) Inventors: **Augusto Picozza**, Boca Raton, FL (US);  
**Nancy Perkins**, Dallas, TX (US); **Diana W. Juratovac**, Columbus, OH (US);  
**Elisabeth Sung-Eun Choi**, Sungnam-si (KR)

(73) Assignee: **Sunbeam Products, Inc.**, Boca Raton, FL (US)

(\*\*) Term: **14 Years**

(21) Appl. No.: **29/342,122**

(22) Filed: **Aug. 19, 2009**

(51) **LOC (9) Cl.** ..... **07-02**

(52) **U.S. Cl.** ..... **D7/354**

(58) **Field of Classification Search** ..... D7/323,  
D7/330-331, 339, 36, 350.2, 350-367, 378-379,  
D7/383-384, 391, 406; 99/324-325, 329 R,  
99/330-339; 219/432-433, 438-441, 620-622,  
219/725-730; 220/203.1, 203.7, 303, 573.1-574,  
220/769, 912; 426/438, 441

See application file for complete search history.

(56) **References Cited**

**U.S. PATENT DOCUMENTS**

D161,299 S \* 12/1950 Altemiller ..... D7/354  
D250,626 S \* 12/1978 Scott ..... D7/360  
D275,643 S \* 9/1984 Petterson ..... D7/355

D358,292 S \* 5/1995 Goad ..... D7/366  
D366,592 S \* 1/1996 Cesaroni et al. .... D7/360  
D412,263 S \* 7/1999 Jozancy ..... D7/354  
D511,643 S \* 11/2005 Ball et al. .... D7/360  
D557,975 S \* 12/2007 Yu ..... D7/365  
D575,578 S \* 8/2008 Ball ..... D7/360  
D575,579 S \* 8/2008 Ball ..... D7/360  
D591,553 S \* 5/2009 Garman et al. .... D7/363

\* cited by examiner

*Primary Examiner*—Caron Veynar

*Assistant Examiner*—Ricky Pham

(74) *Attorney, Agent, or Firm*—Lawrence J. Shurupoff

(57) **CLAIM**

The ornamental design for a slow cooker, as shown and described.

**DESCRIPTION**

FIG. 1 is a front right perspective view of the slow cooker showing the new design;

FIG. 2 is a front elevation view thereof;

FIG. 3 is a back side elevation view thereof;

FIG. 4 is a right side elevation thereof;

FIG. 5 is a left side elevation thereof; and,

FIG. 6 is a top plan view thereof.

The broken lines in the drawings are for illustrative purposes only and form no part of the claimed design.

**1 Claim, 3 Drawing Sheets**

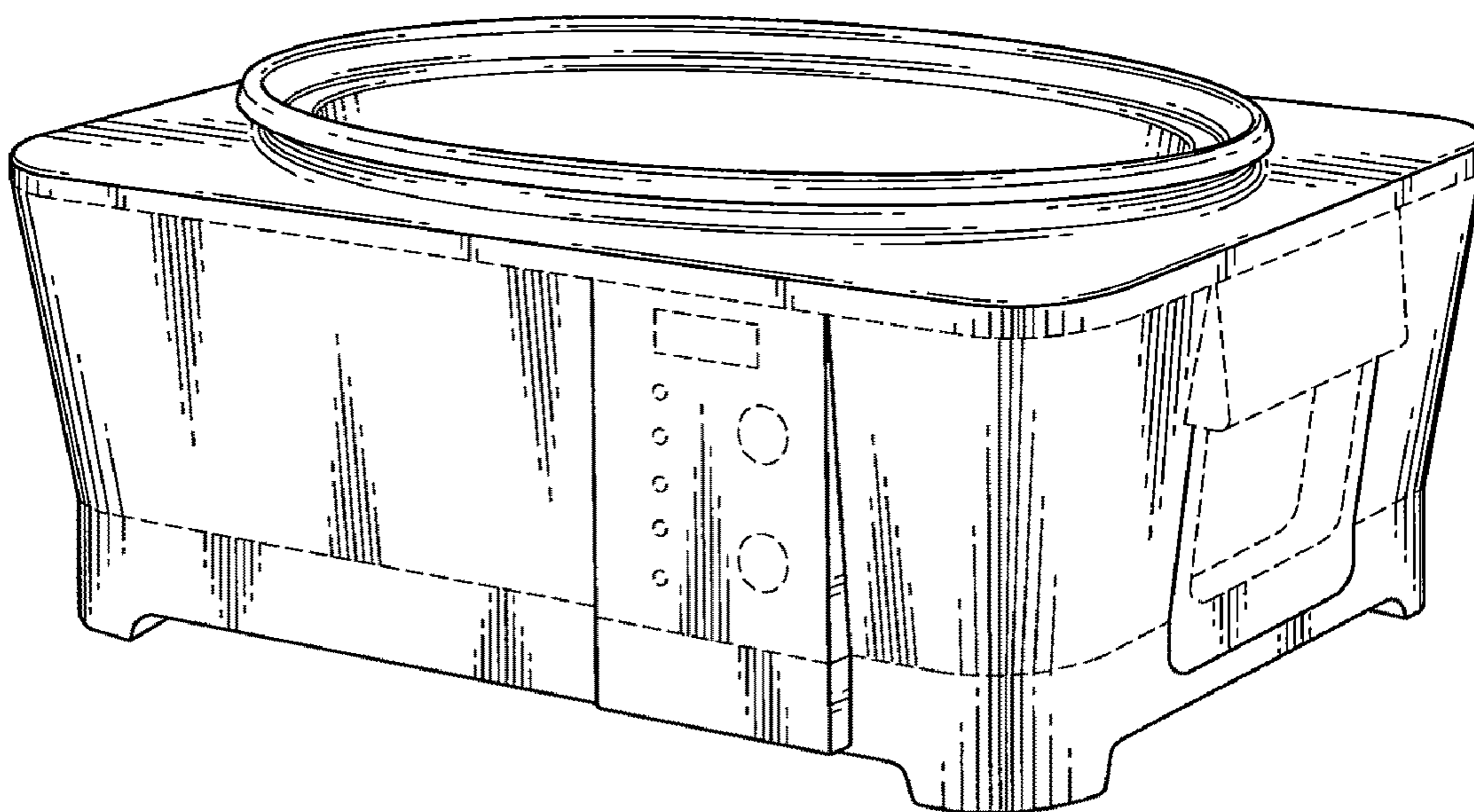


FIG. 1

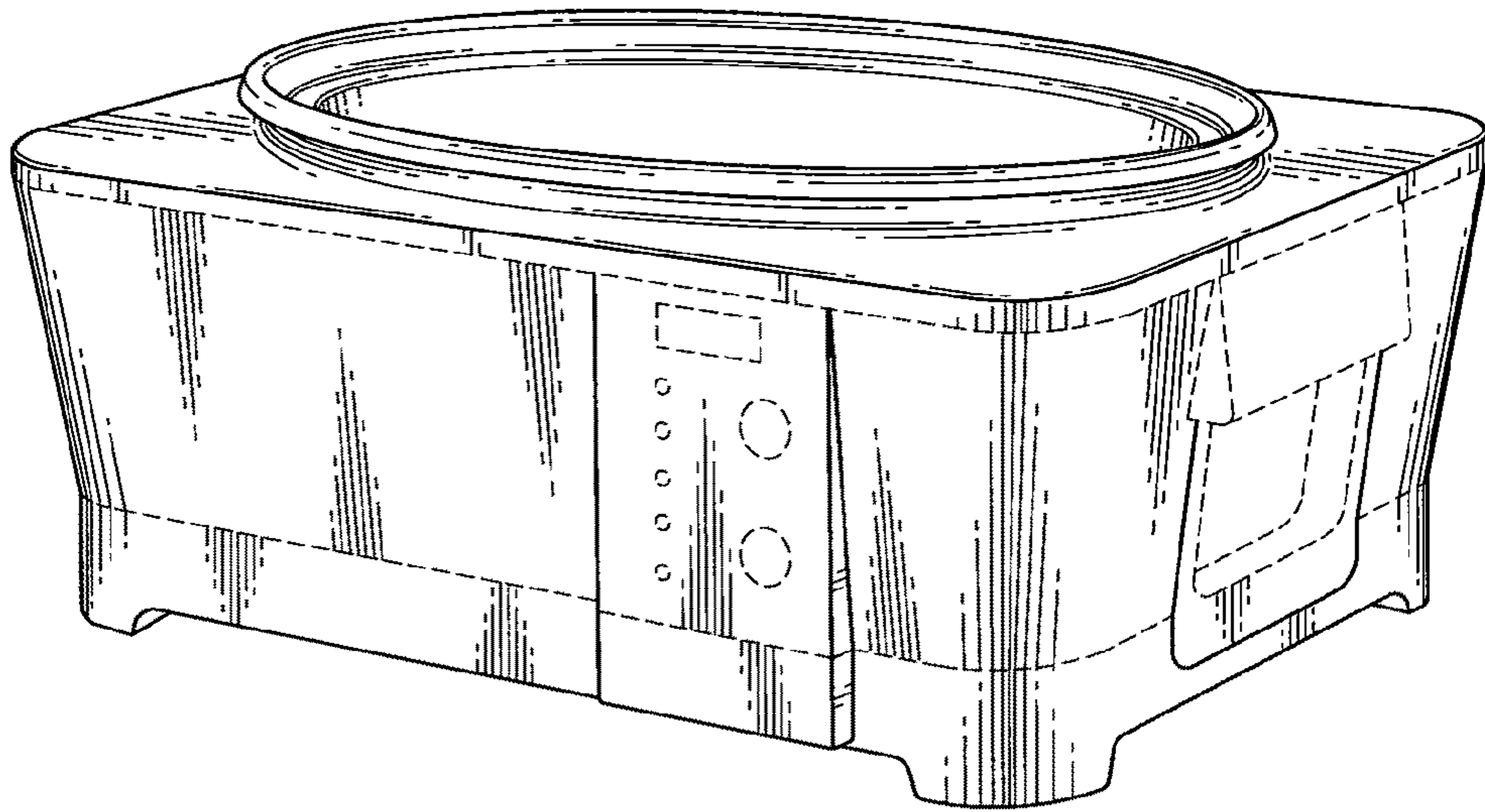


FIG. 2

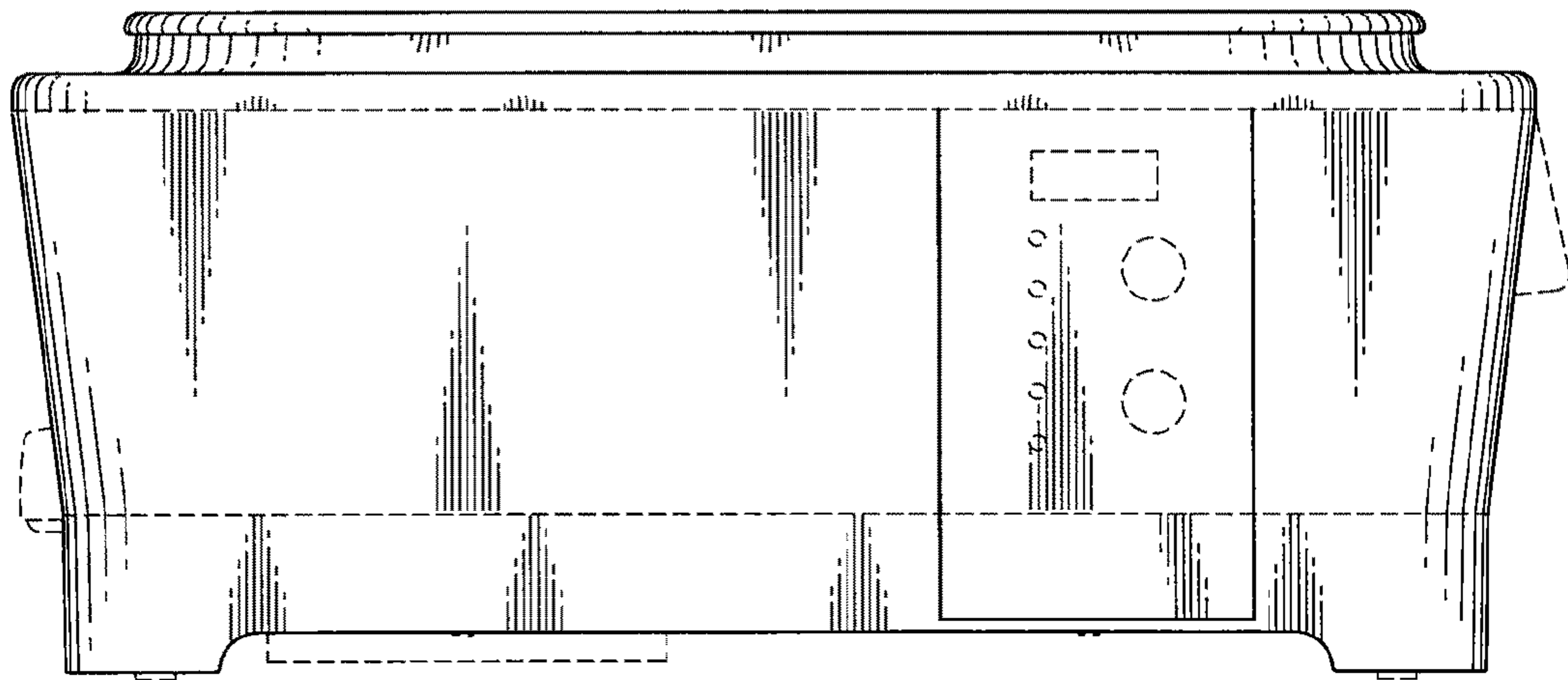


FIG. 3

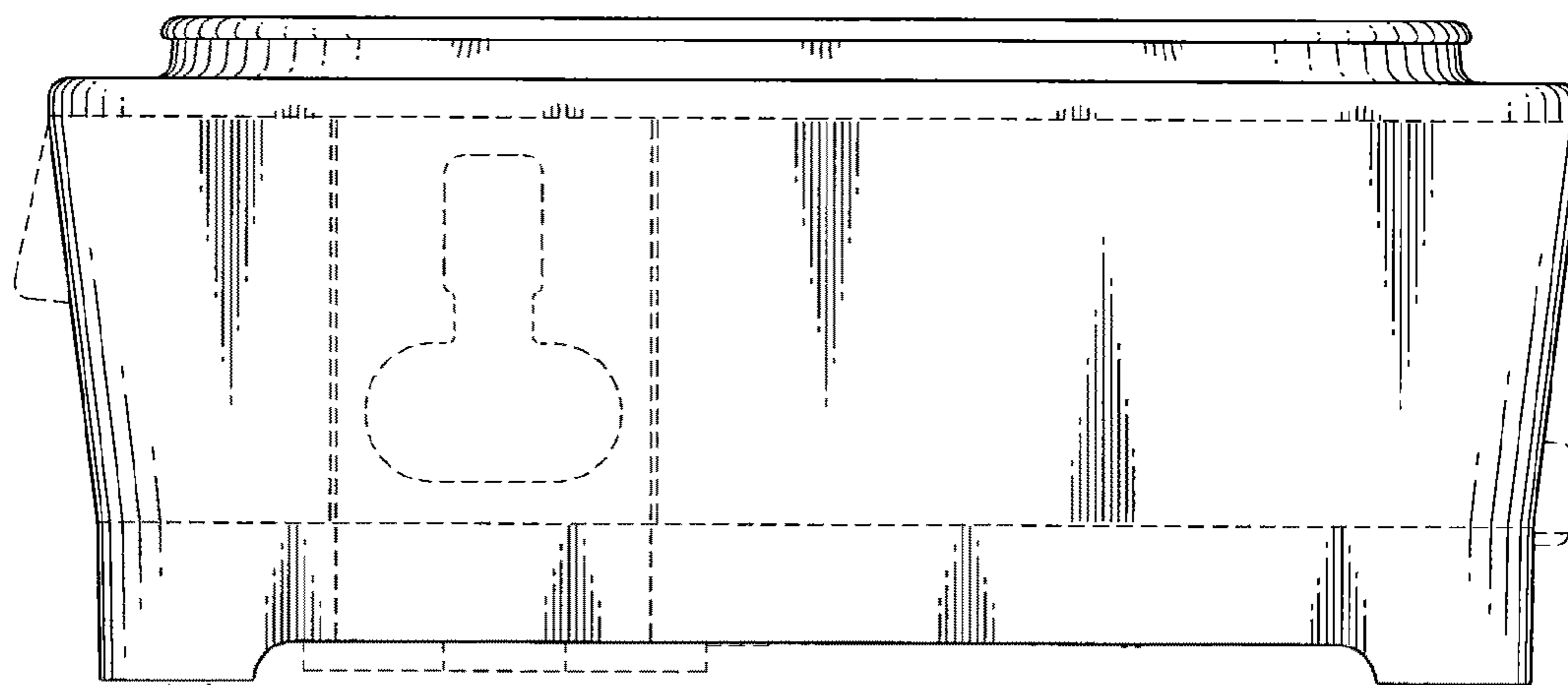


FIG. 4

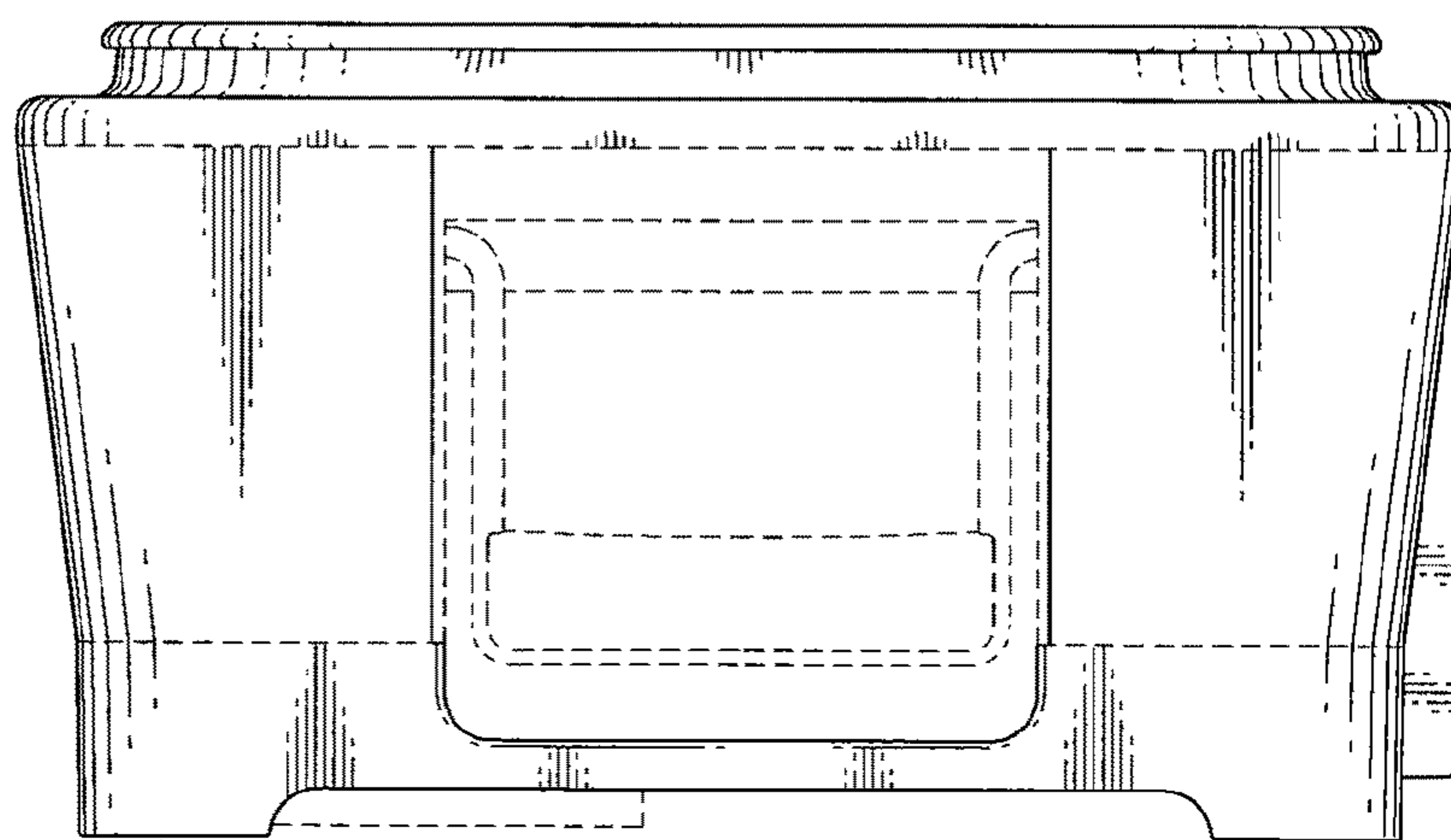


FIG. 5

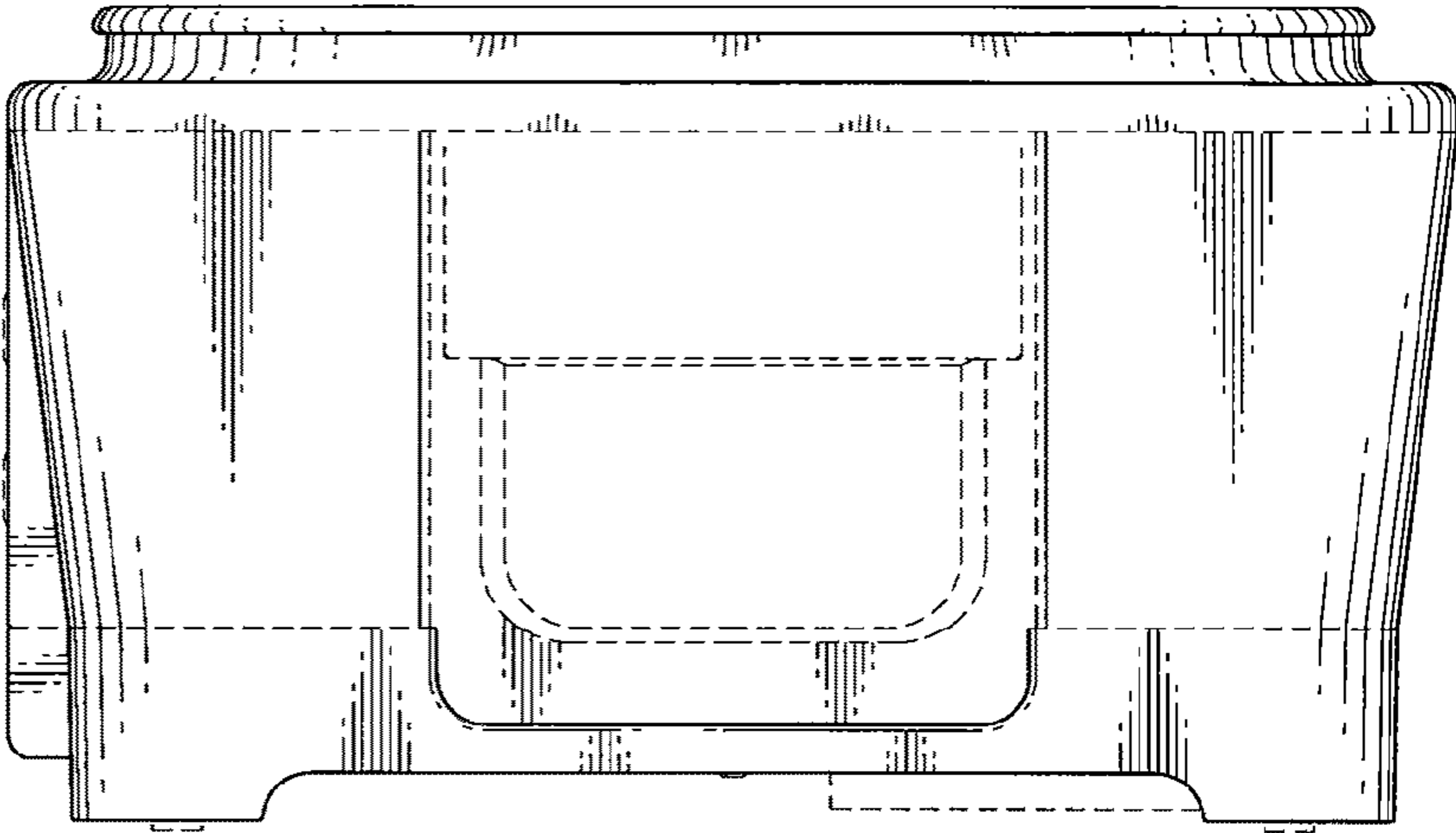


FIG. 6

