



US00D606802S

(12) **United States Design Patent**
Kirk

(10) **Patent No.:** **US D606,802 S**

(45) **Date of Patent:** **** Dec. 29, 2009**

(54) **FISH THEMED BAKING PAN**

(75) Inventor: **Melinda Kirk**, Fort Mitchell, KY (US)

(73) Assignee: **Lucky Paws, LLC**, Covington, KY (US)

(**) Term: **14 Years**

(21) Appl. No.: **29/342,095**

(22) Filed: **Aug. 18, 2009**

(51) **LOC (9) Cl.** **07-02**

(52) **U.S. Cl.** **D7/354**

(58) **Field of Classification Search** D6/601,
D6/518; D7/323, 354-361, 409, 417, 505,
D7/513, 540-548, 550.1, 551.1, 552.1, 553.1,
D7/553.4-553.8, 554.3, 555, 584, 586, 602,
D7/605, 611, 672, 698; D9/414, 420-434,
D9/446-447, 456, 606, 643, 745, 756; D14/232;
D23/261; D25/112; 99/324, 339, 340, 422-426,
99/428; 206/525; 220/573.1-573.4, 672-675,
220/769, 912; 229/200; 249/117, 119, 122-127,
249/155-156, 160

See application file for complete search history.

(56) **References Cited**

U.S. PATENT DOCUMENTS

764,496 A * 7/1904 Overton 99/425
782,895 A * 2/1905 Breeding 99/422
D260,281 S * 8/1981 Rist D6/601
D418,209 S * 12/1999 Mauk D23/261

D439,153 S * 3/2001 Davis D9/606
D455,145 S * 4/2002 Williams D14/232
D471,103 S * 3/2003 Watson D9/433
D480,597 S * 10/2003 Kunat et al. D7/354
D490,911 S * 6/2004 Cox D25/112
D506,556 S * 6/2005 Giusti D25/112
D547,595 S * 7/2007 Bowen et al. D7/354

* cited by examiner

Primary Examiner—Caron Veynar

Assistant Examiner—Ricky Pham

(74) *Attorney, Agent, or Firm*—Gallagher & Dawsey Co.,
LPA; Michael J. Gallagher; David J. Dawsey

(57) **CLAIM**

I claim the ornamental design for a fish themed baking pan, as shown and described.

DESCRIPTION

FIG. 1 is an isometric view of a fish themed baking pan showing my new design;

FIG. 2 is a top plan view thereof;

FIG. 3 is a bottom plan view thereof;

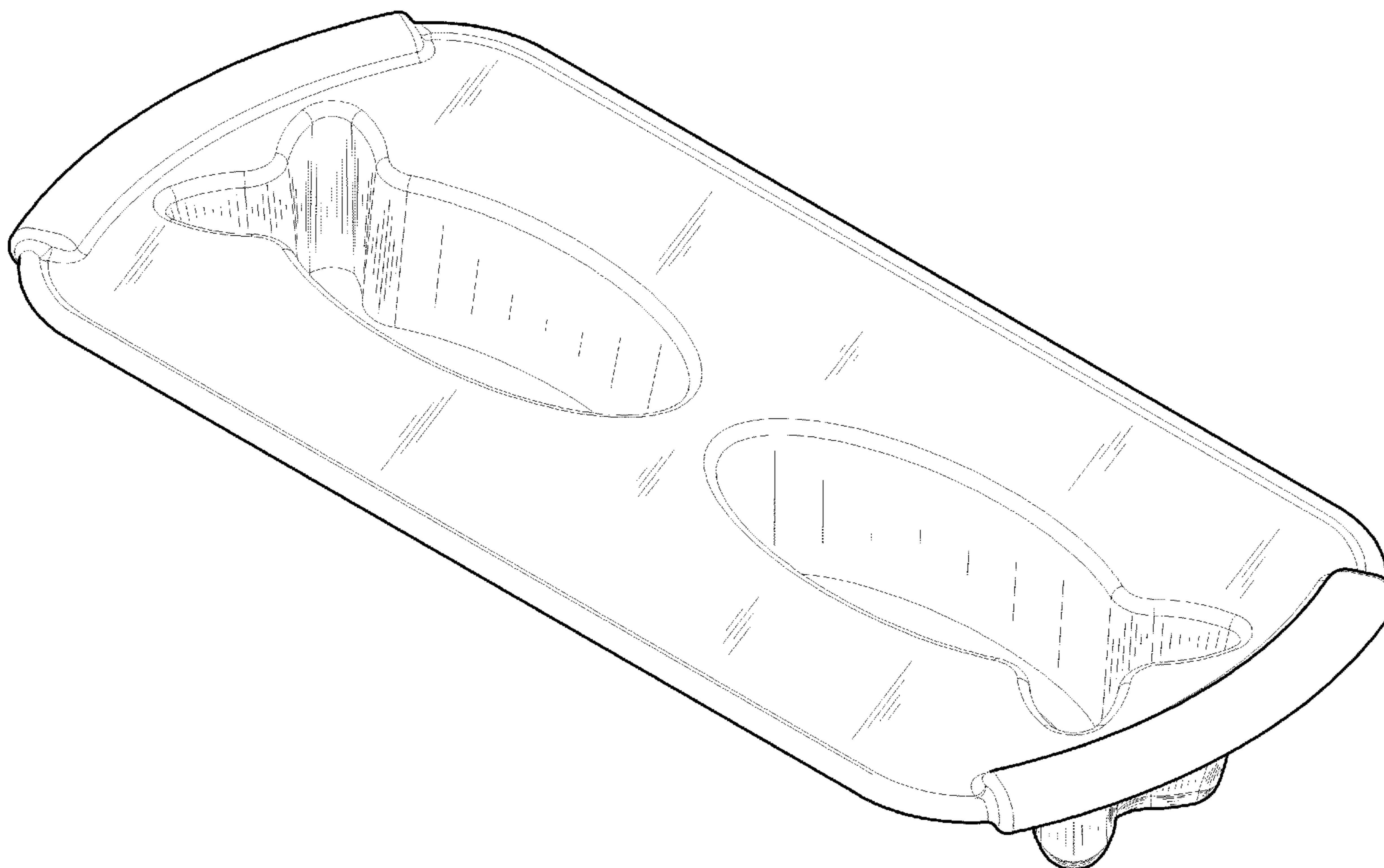
FIG. 4 is a left side elevation view thereof;

FIG. 5 is a right side elevation view thereof;

FIG. 6 is a front elevation view thereof; and,

FIG. 7 is a rear elevation view thereof.

1 Claim, 4 Drawing Sheets



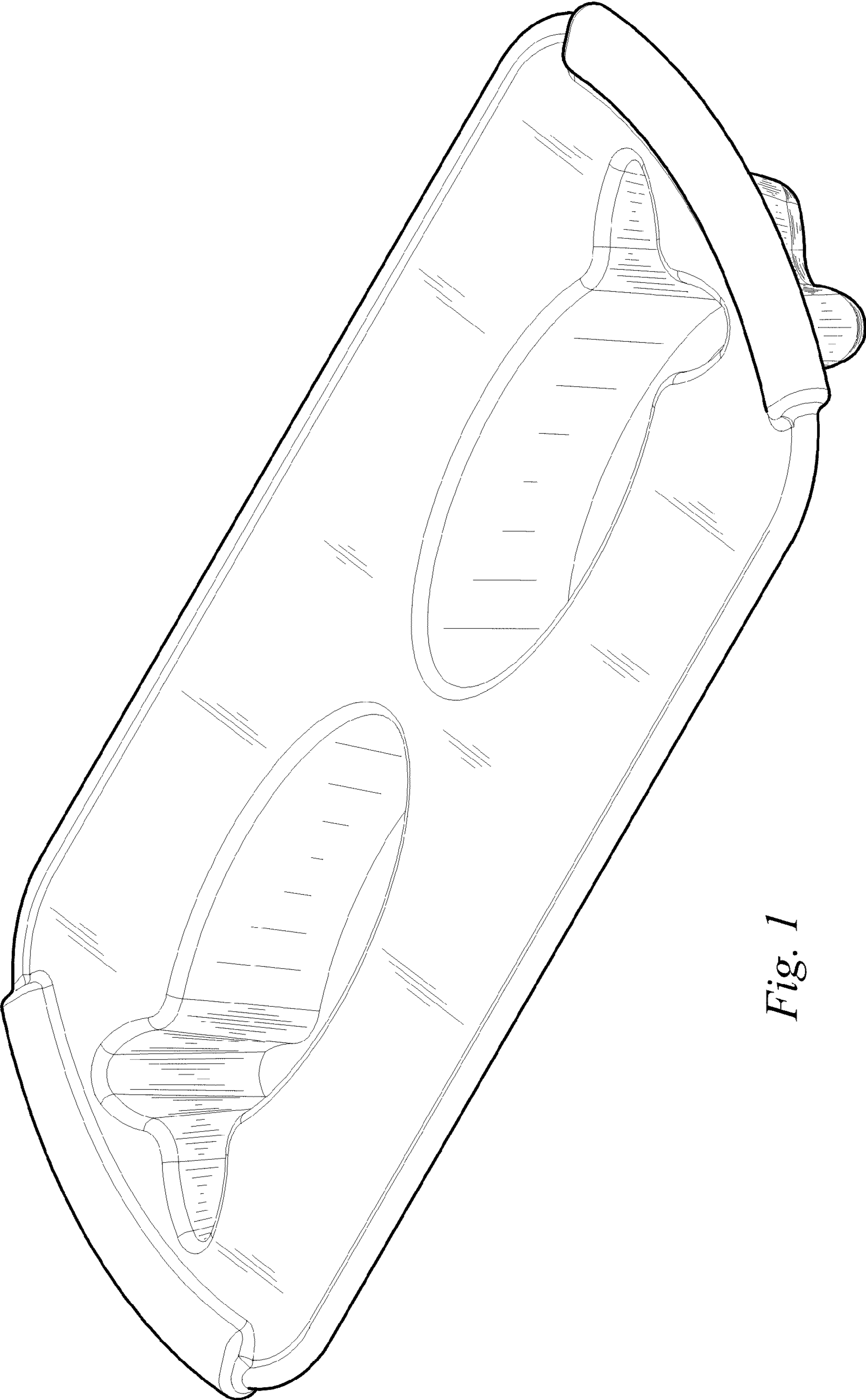


Fig. 1

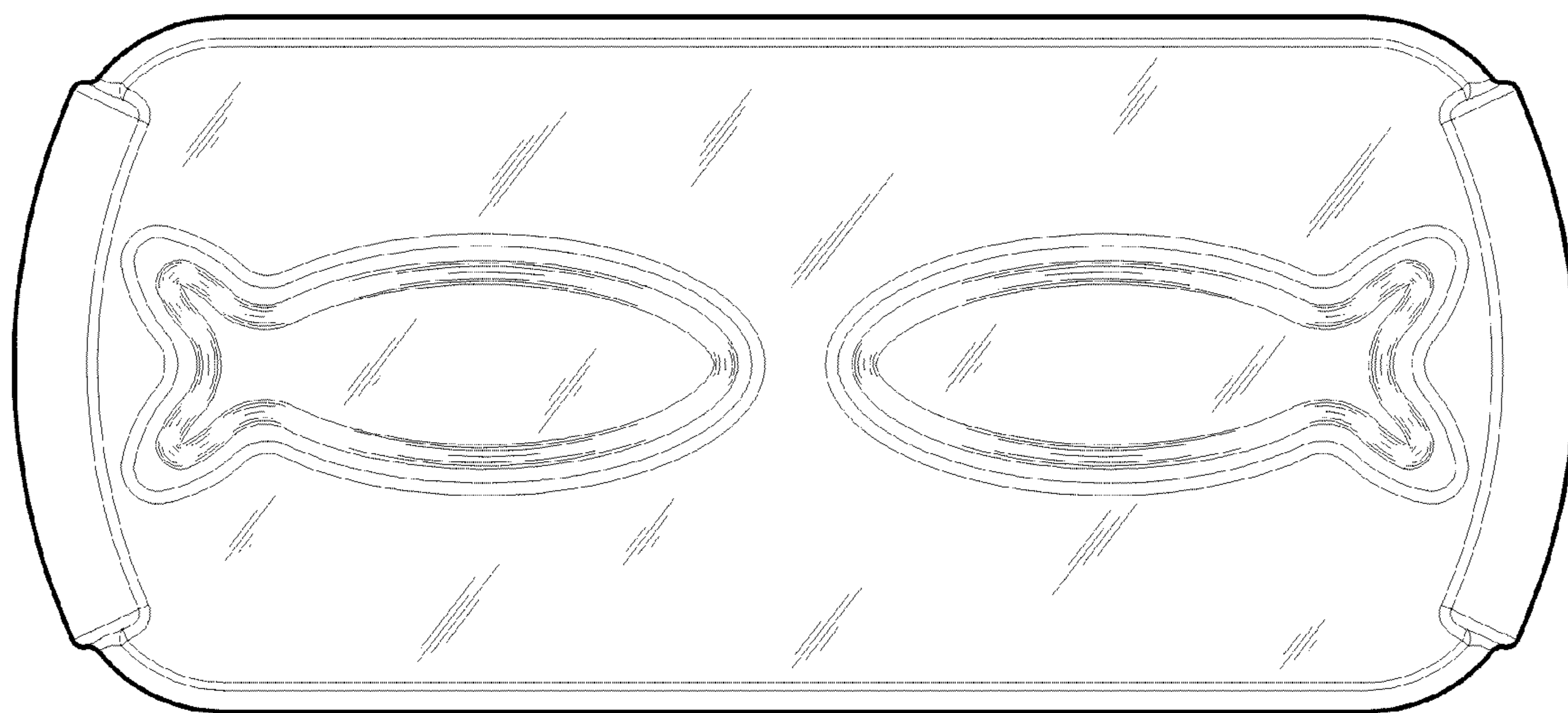


Fig. 2

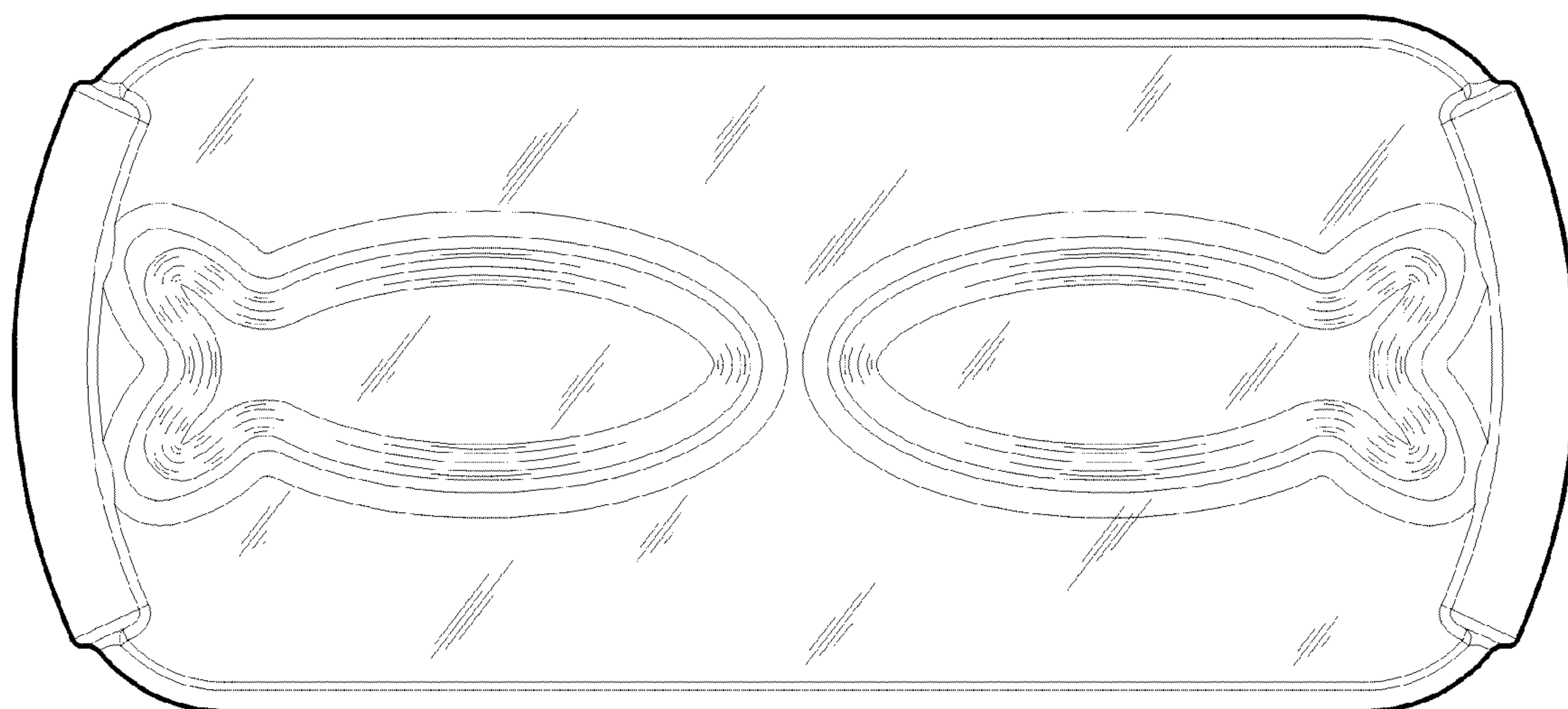


Fig. 3

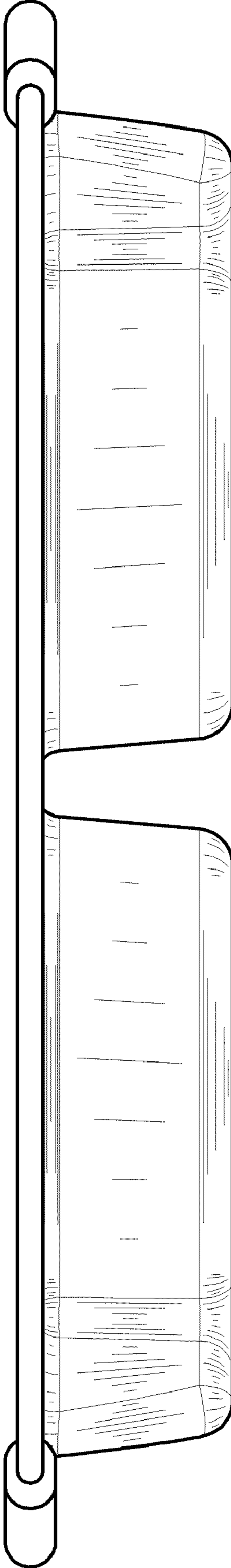


Fig. 4

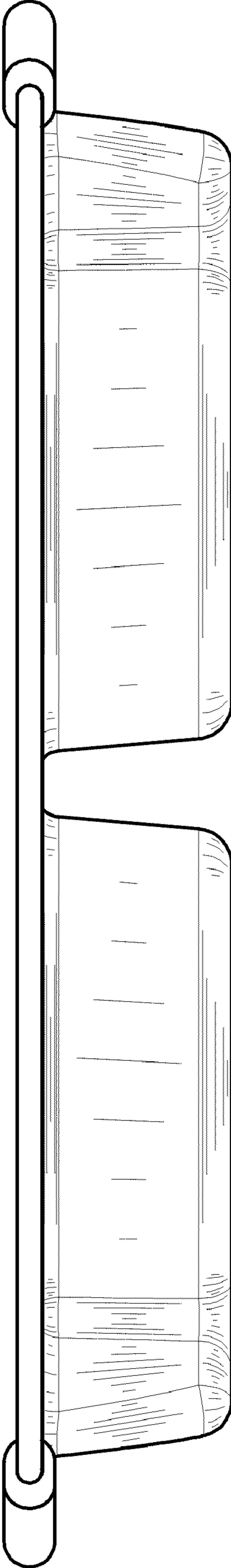


Fig. 5

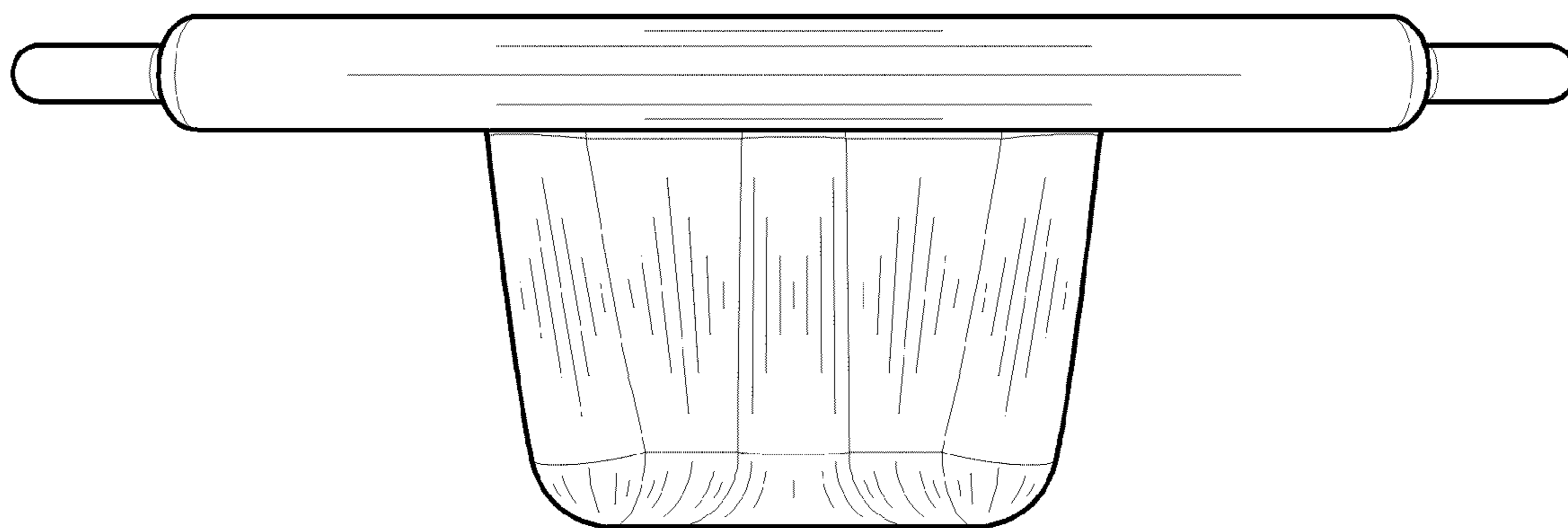


Fig. 6

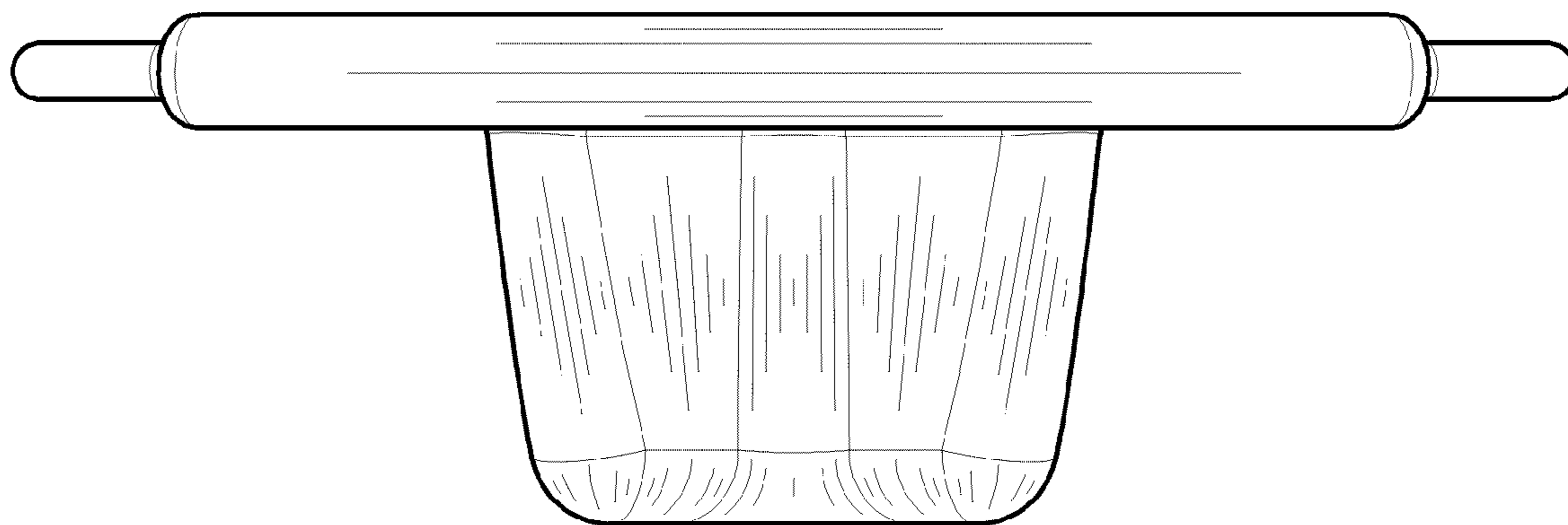


Fig. 7