



US00D606801S

(12) **United States Design Patent**
Kirk

(10) **Patent No.:** **US D606,801 S**

(45) **Date of Patent:** **** Dec. 29, 2009**

(54) **BONE THEMED BAKING PAN**

(75) Inventor: **Melinda Kirk**, Fort Mitchell, KY (US)

(73) Assignee: **Lucky Paws, LLC**, Covington, KY (US)

(**) Term: **14 Years**

(21) Appl. No.: **29/342,093**

(22) Filed: **Aug. 18, 2009**

(51) **LOC (9) Cl.** **07-02**

(52) **U.S. Cl.** **D7/354**

(58) **Field of Classification Search** D1/106,
D1/199; D6/518; D7/323, 354-361, 409,
D7/417, 505, 513, 540-548, 550.1, 551.1,
D7/552.1, 553.1, 553.4-553.8, 554.3, 555,
D7/584, 586, 602, 605, 611, 672, 698; D9/414,
D9/420-434, 446-447, 456, 643, 745, 756;
D24/101; D30/118, 129-130; 99/324, 339,
99/340, 422-426, 428; 206/525; 220/573.1-573.4,
220/672-675, 769, 912; 229/200; 249/117,
249/119, 122-127, 155-156, 160

See application file for complete search history.

(56) **References Cited**

U.S. PATENT DOCUMENTS

3,515,334 A * 6/1970 Jacobson 229/200
4,573,579 A * 3/1986 Murdick et al. 206/525
D298,671 S * 11/1988 Simerson D30/130
D300,068 S * 2/1989 Pritikin et al. D30/129
D303,728 S * 10/1989 Spanier et al. D1/106

D427,517 S * 7/2000 Marcks D9/643
D428,136 S * 7/2000 Cady et al. D24/101
D469,690 S * 2/2003 Pau D9/426
D487,327 S * 3/2004 Andersen et al. D1/199
D487,823 S * 3/2004 Wang D30/118
D512,539 S * 12/2005 Brunet et al. D30/130
D521,782 S * 5/2006 Edwards D6/518
D595,998 S * 7/2009 Hauser D7/672

* cited by examiner

Primary Examiner—Caron Veynar

Assistant Examiner—Ricky Pham

(74) *Attorney, Agent, or Firm*—Gallagher & Dawsey Co.,
LPA; Michael J. Gallagher; David J. Dawsey

(57) **CLAIM**

I claim the ornamental design for a bone themed baking pan,
as shown and described.

DESCRIPTION

FIG. 1 is an isometric view of a bone themed baking pan
showing my new design;

FIG. 2 is a top plan view thereof;

FIG. 3 is a bottom plan view thereof;

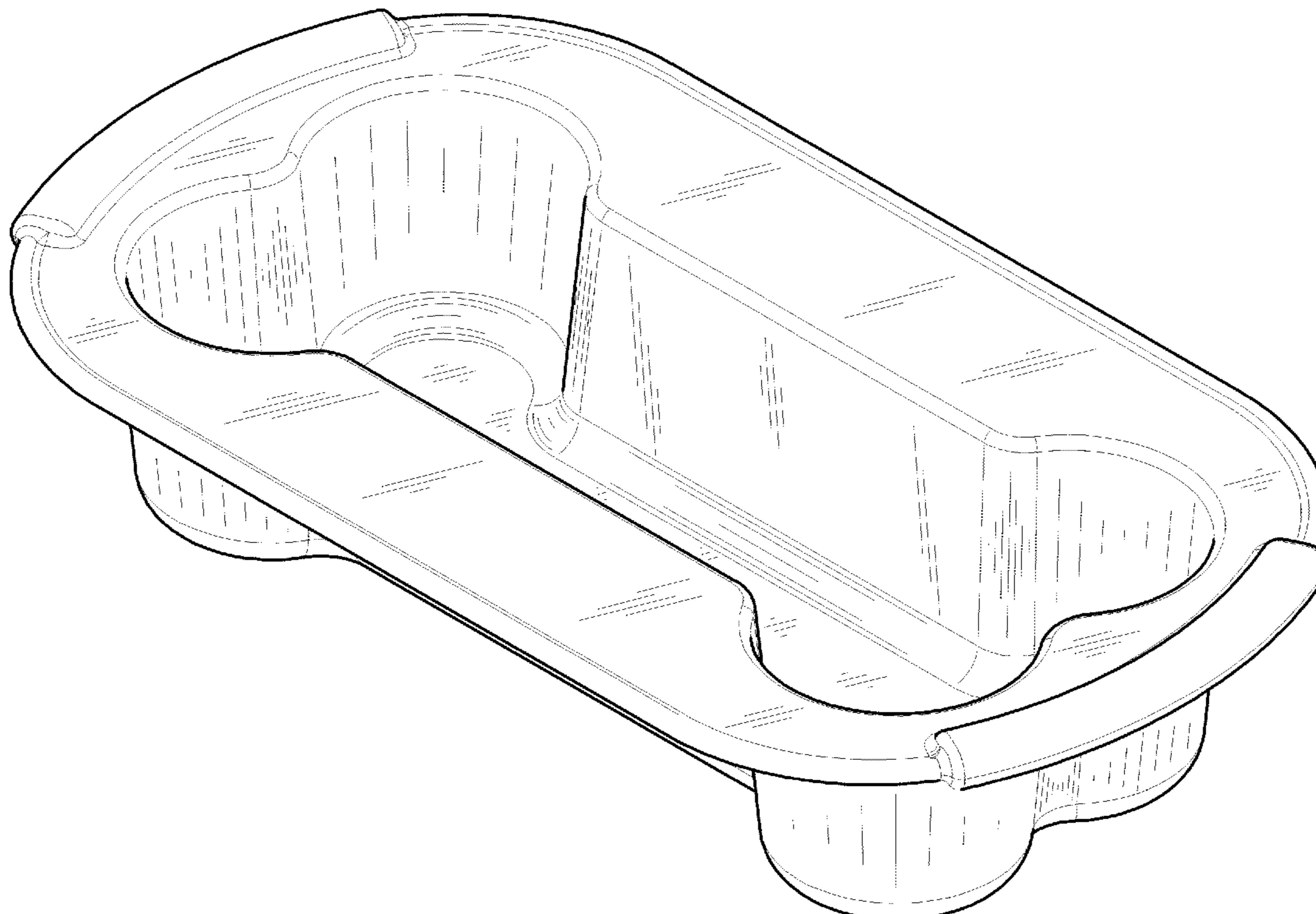
FIG. 4 is a left side elevation view thereof;

FIG. 5 is a right side elevation view thereof;

FIG. 6 is a front elevation view thereof; and,

FIG. 7 is a rear elevation view thereof.

1 Claim, 4 Drawing Sheets



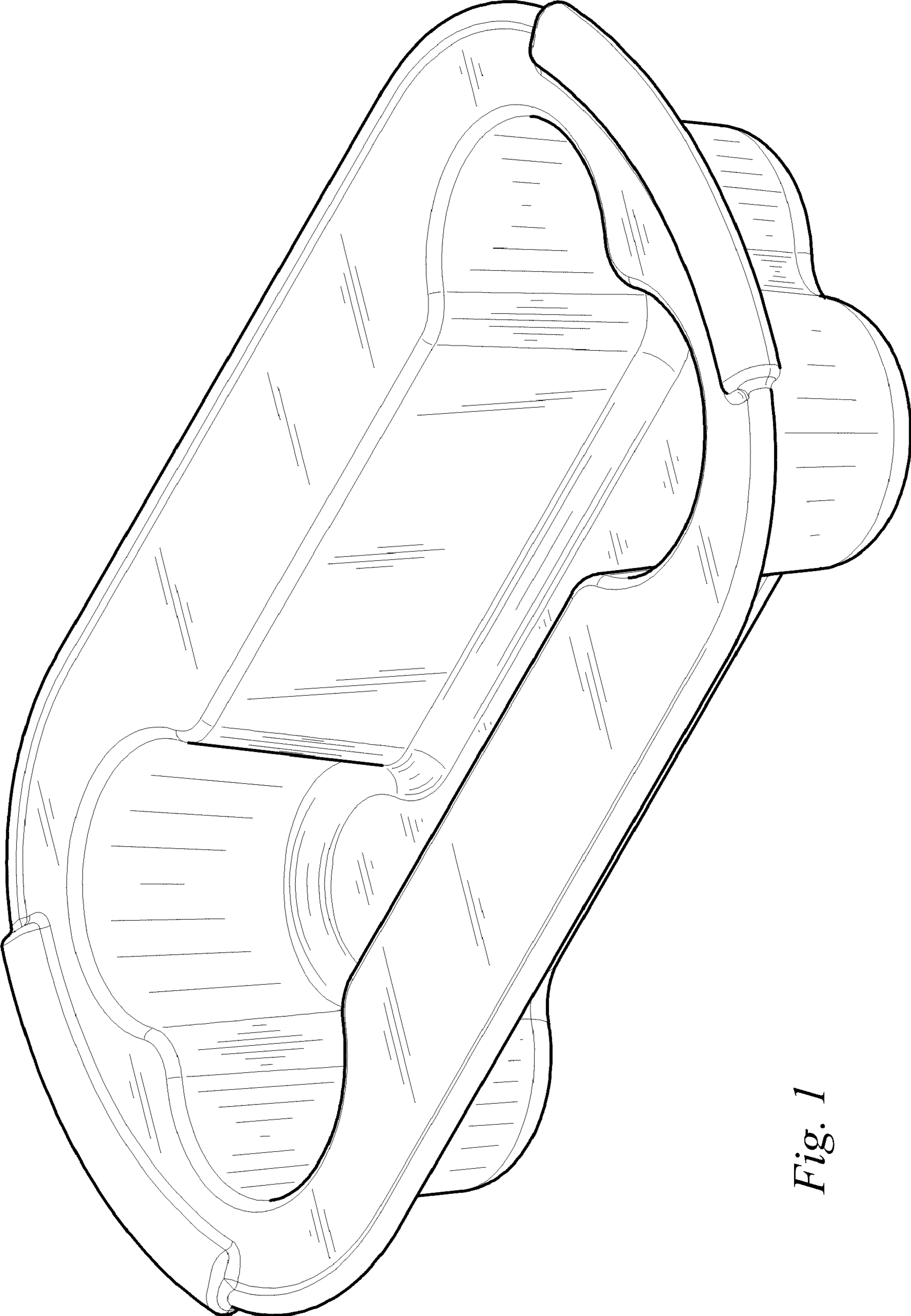


Fig. 1

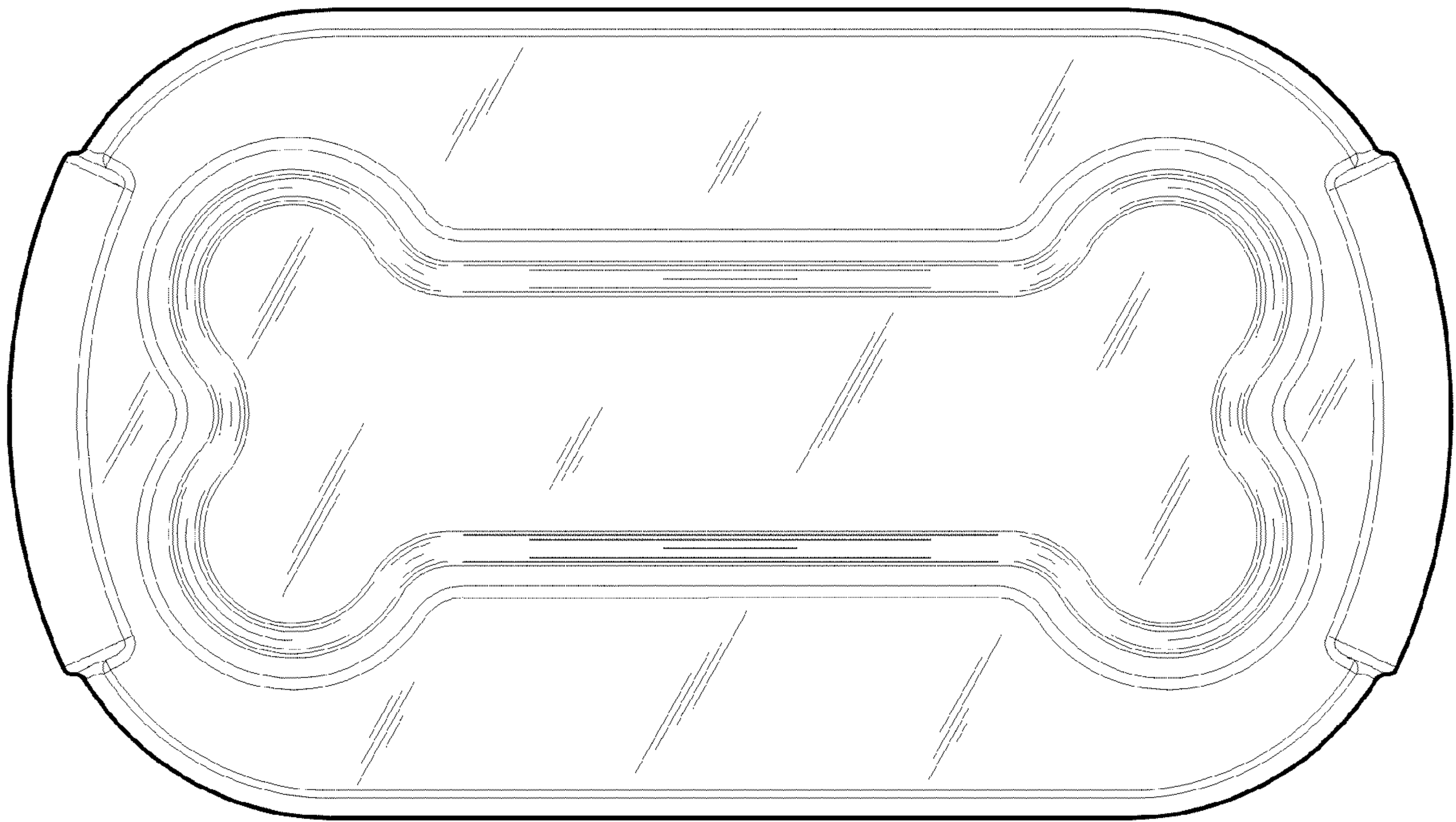


Fig. 2

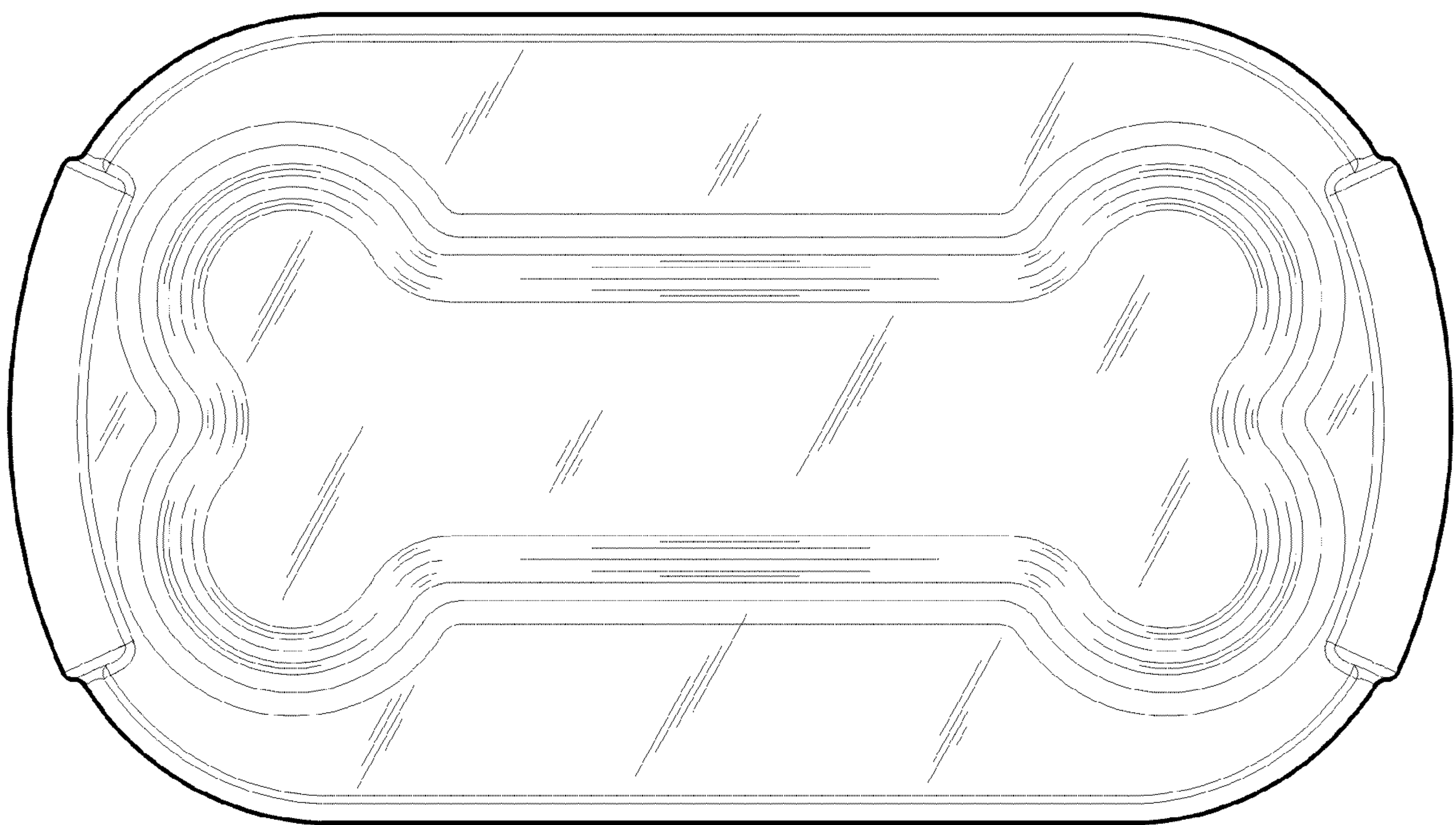


Fig. 3

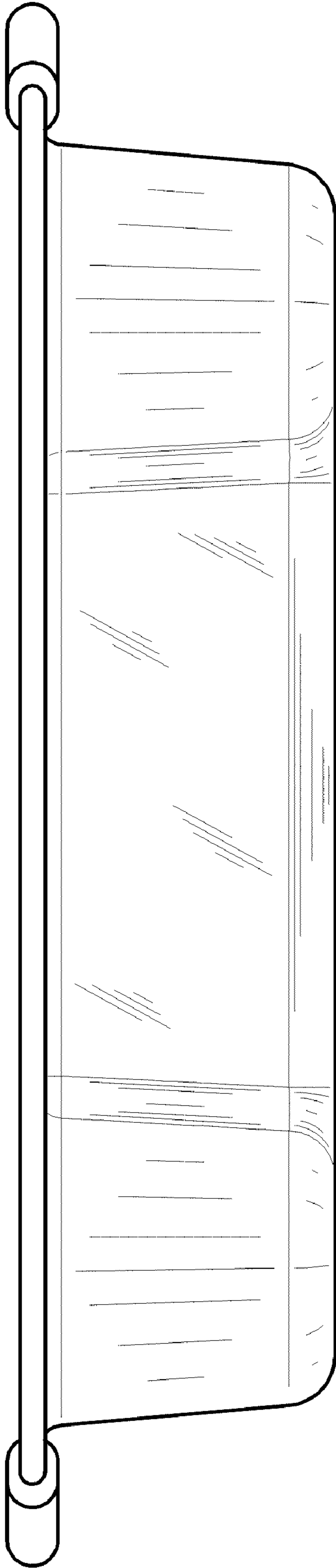


Fig. 4

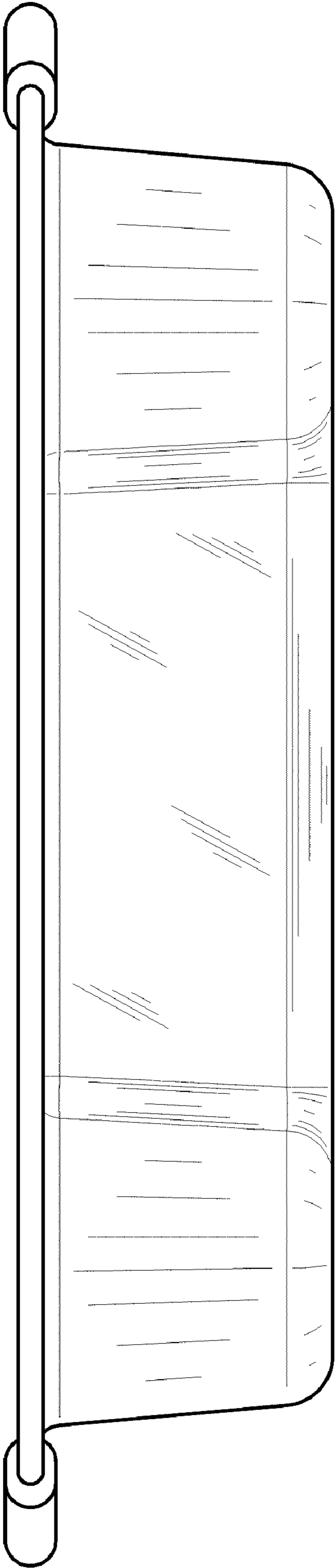


Fig. 5

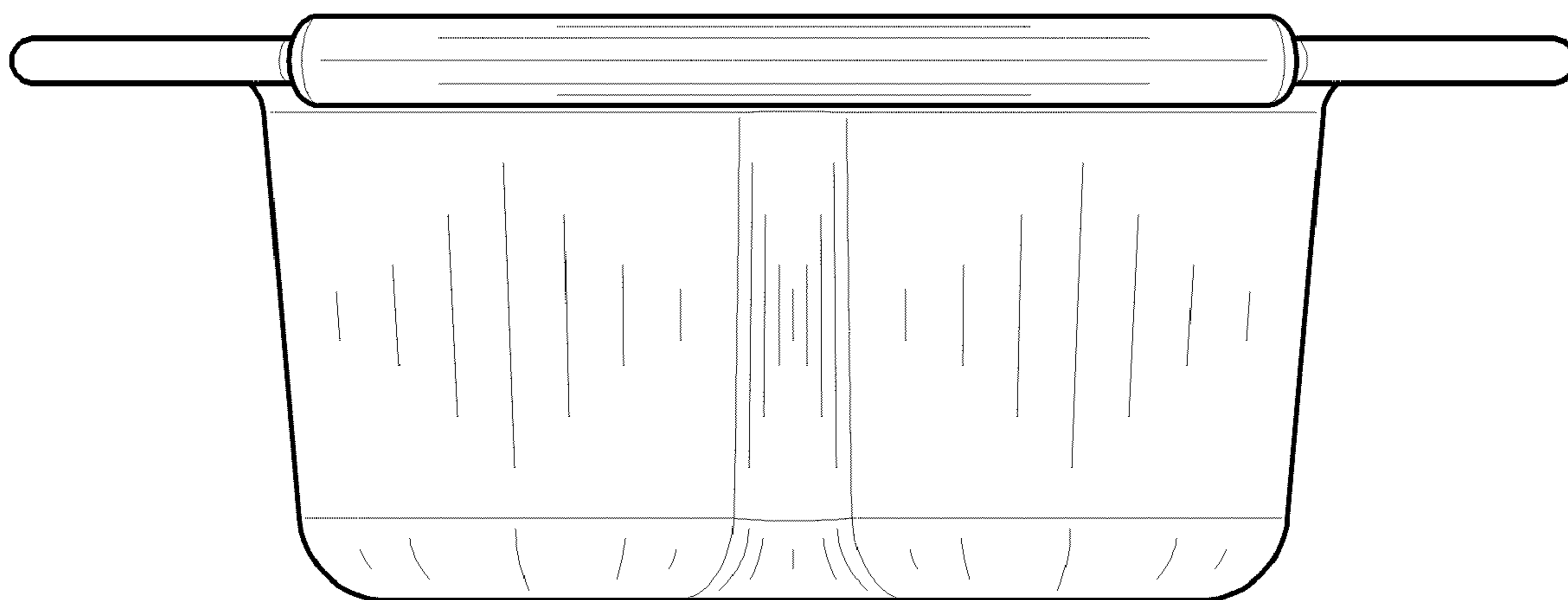


Fig. 6

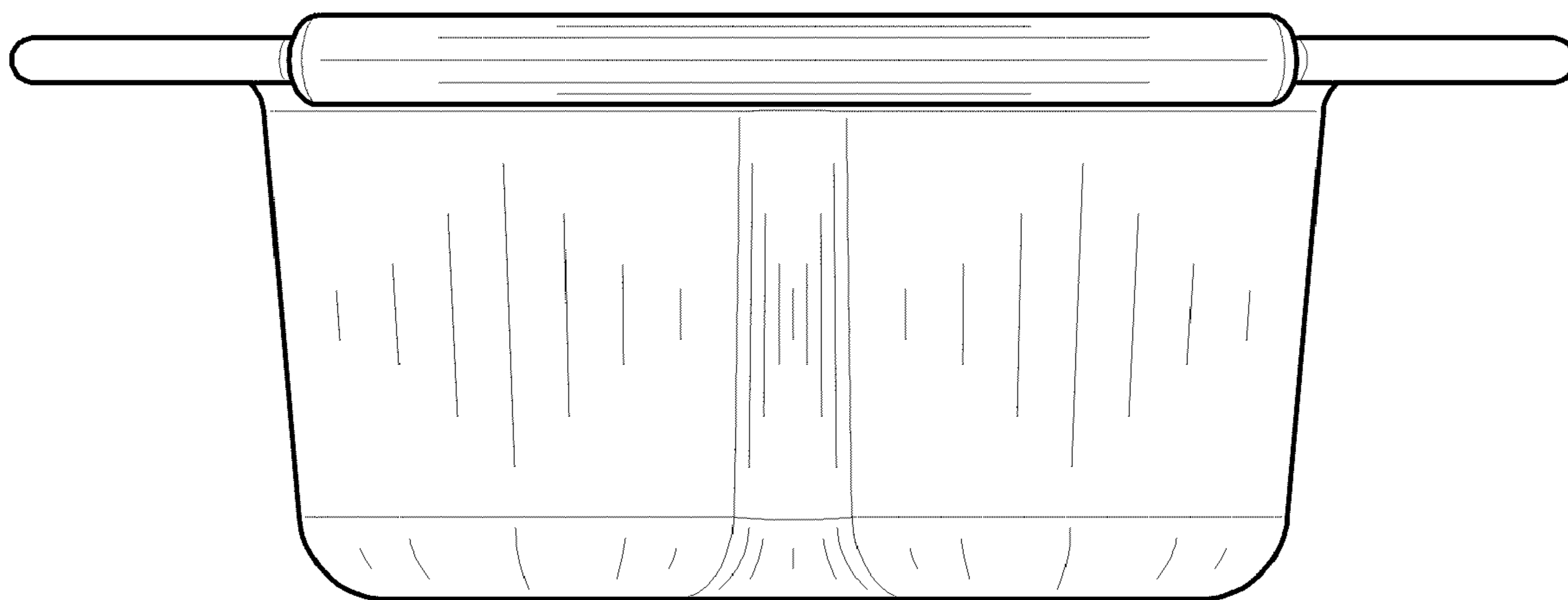


Fig. 7