



US00D606797S

(12) **United States Design Patent**  
**Baek et al.**

(10) **Patent No.:** **US D606,797 S**

(45) **Date of Patent:** **\*\* Dec. 29, 2009**

(54) **MICROWAVE OVEN**

(75) Inventors: **Byung Kook Baek**, Kyungki-Do (KR);  
**Ji Young Shin**, Seoul (KR)

(73) Assignee: **Samsung Electronics Co., Ltd.**, Suwon (KR)

(\*\*) Term: **14 Years**

(21) Appl. No.: **29/331,744**

(22) Filed: **Jan. 30, 2009**

(51) **LOC (9) Cl.** ..... **07-02**

(52) **U.S. Cl.** ..... **D7/351**

(58) **Field of Classification Search** ..... D7/350.1,  
D7/350.3, 350.4, 351, 402, 405, 349; 219/756-758;  
126/19 M, 275 E, 273 A  
See application file for complete search history.

(56) **References Cited**

**U.S. PATENT DOCUMENTS**

D302,927 S *	8/1989	Yoshida	.....	D7/351
D384,545 S *	10/1997	Wang	.....	D7/350.4
D409,437 S *	5/1999	Nakano et al.	.....	D7/351
D412,083 S *	7/1999	Okuda et al.	.....	D7/351
D412,807 S *	8/1999	Noda et al.	.....	D7/351
D429,595 S *	8/2000	Kusachi et al.	.....	D7/351

D442,008 S *	5/2001	Noda et al.	.....	D7/351
D468,578 S *	1/2003	Fukuda et al.	.....	D7/351
D509,400 S *	9/2005	Kanza	.....	D7/351
D514,873 S *	2/2006	Sakai	.....	D7/351
D516,370 S *	3/2006	Tsujita	.....	D7/351
D518,680 S *	4/2006	Kim	.....	D7/351

\* cited by examiner

*Primary Examiner*—Ruth McInroy

(74) *Attorney, Agent, or Firm*—Ladas and Parry LLP

(57) **CLAIM**

We claim the ornamental design for a microwave oven, as shown and described.

**DESCRIPTION**

FIG. 1 is a top, front and right-side perspective view of a microwave oven showing our new design;

FIG. 2 is a front elevational view thereof;

FIG. 3 is a rear elevational view thereof;

FIG. 4 is a left-side elevational view thereof;

FIG. 5 is a right-side elevational view thereof;

FIG. 6 is a top plan view thereof; and,

FIG. 7 is a bottom plan view thereof.

**1 Claim, 4 Drawing Sheets**

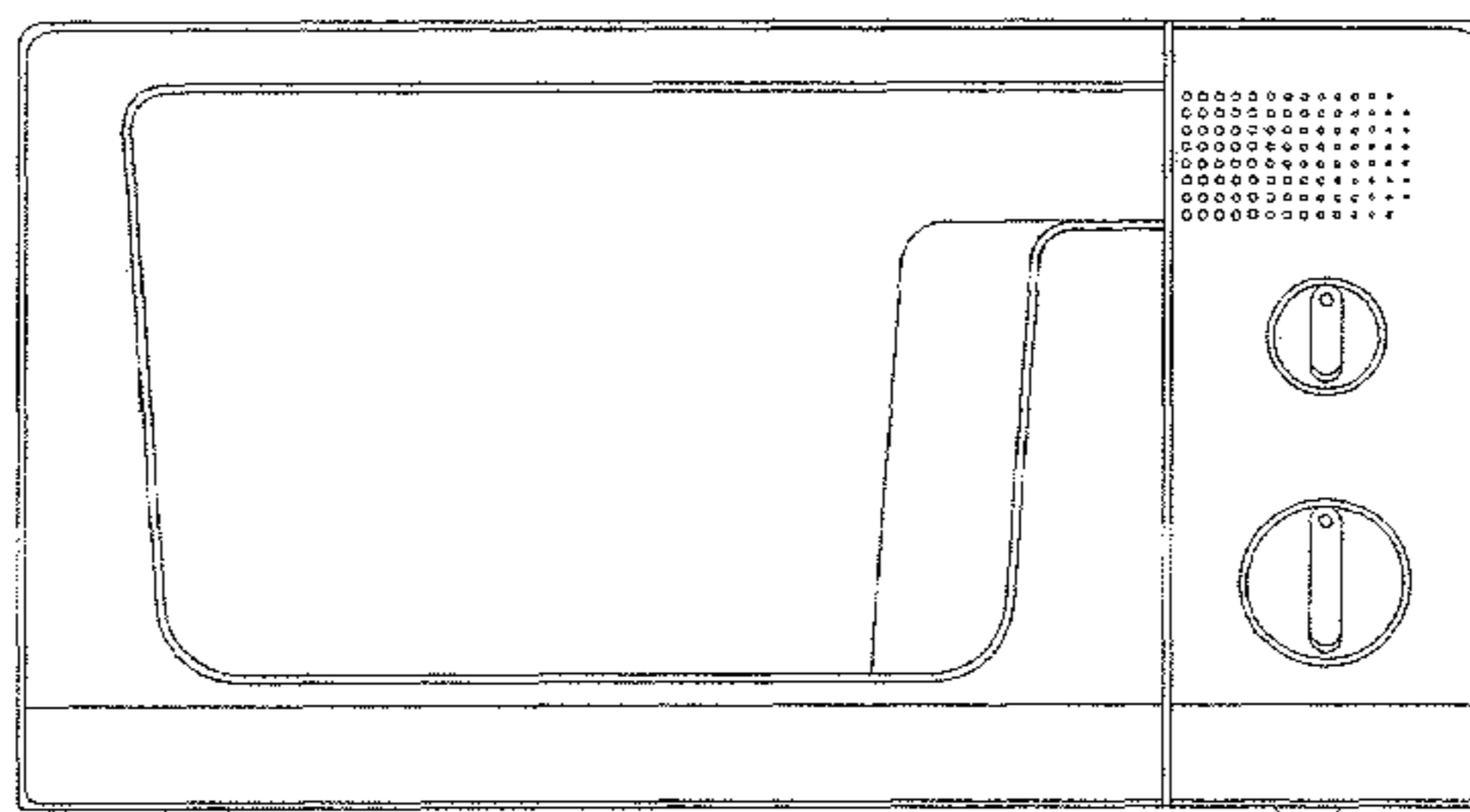
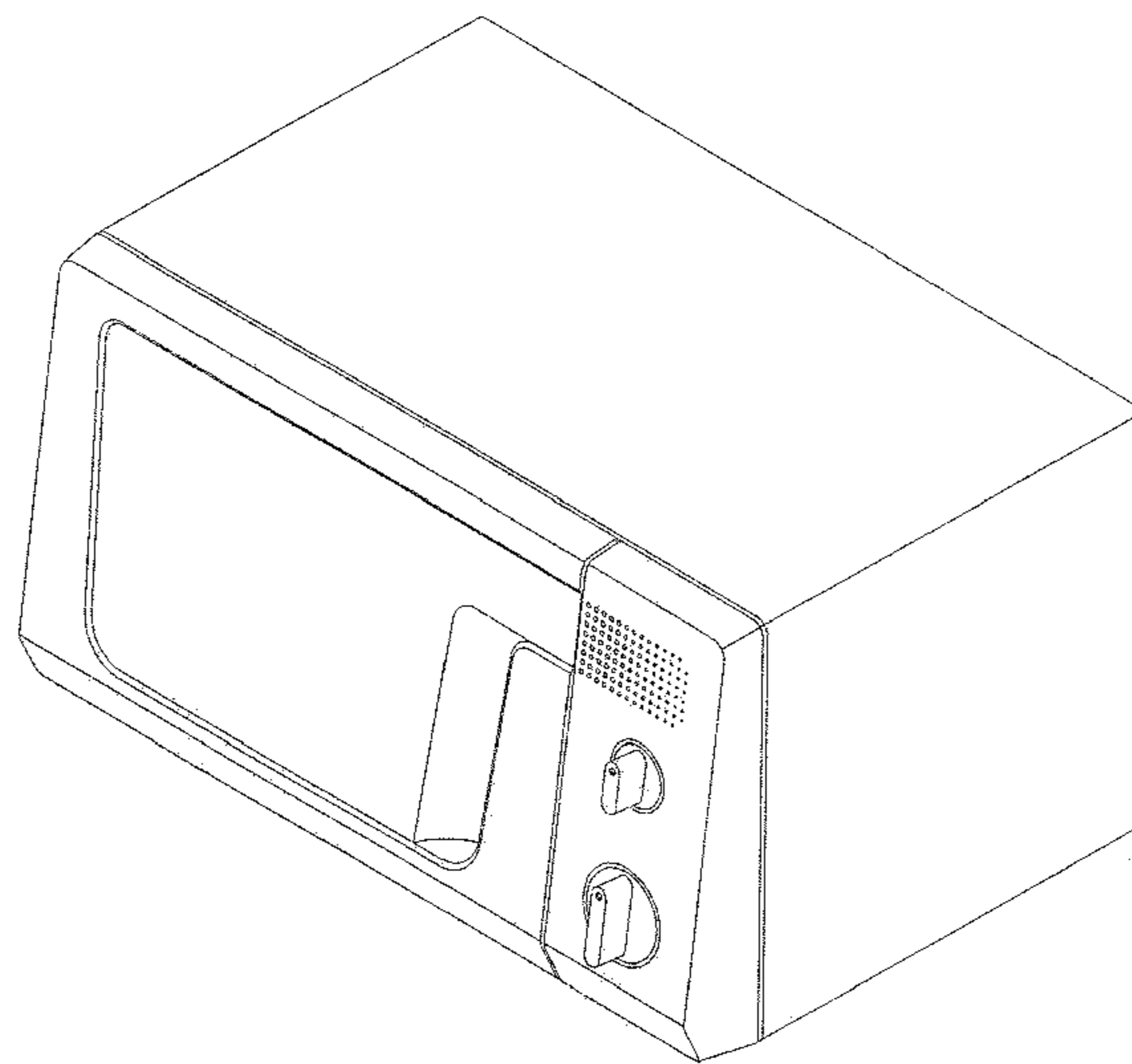


FIG. 1

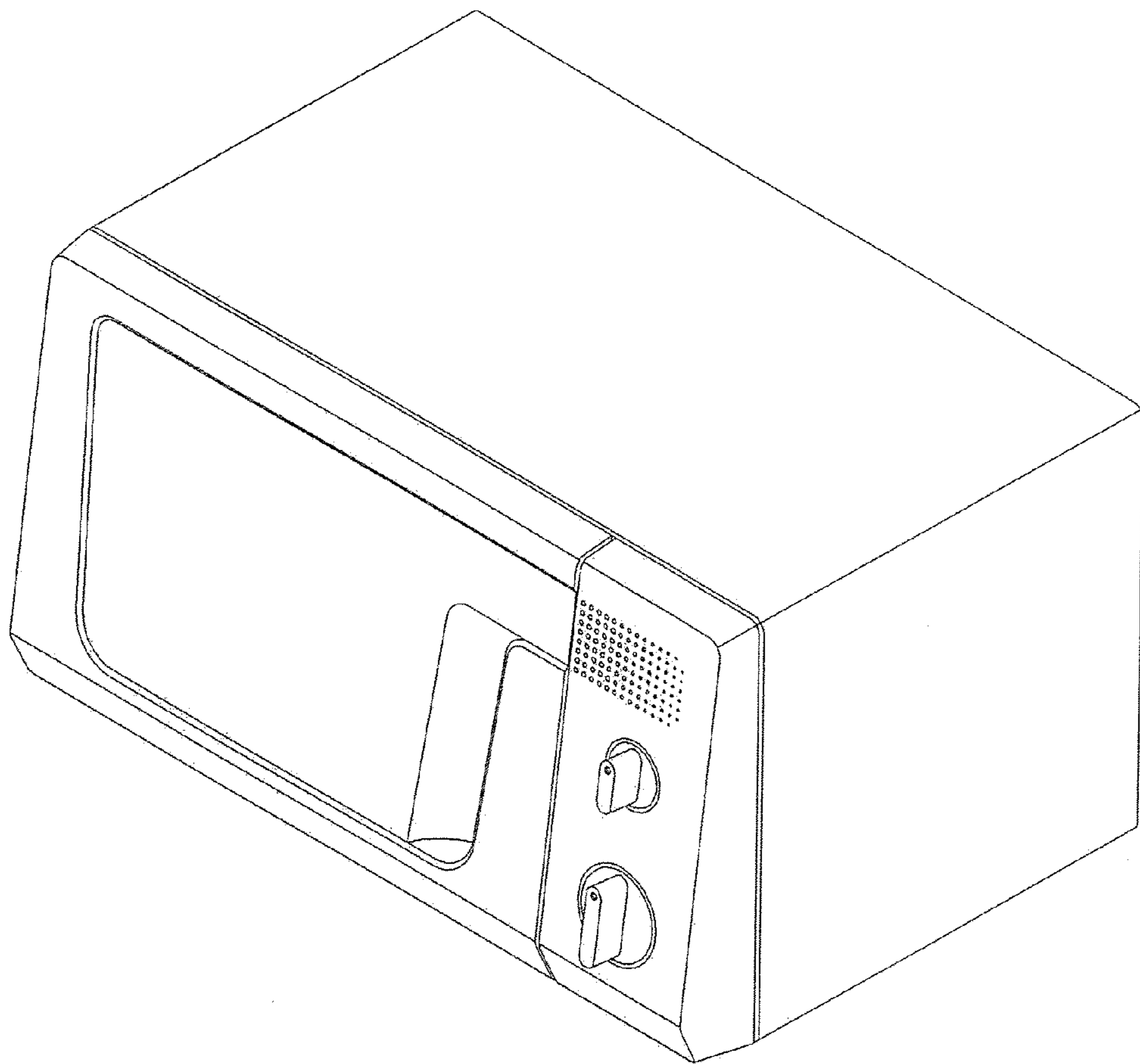


FIG. 2

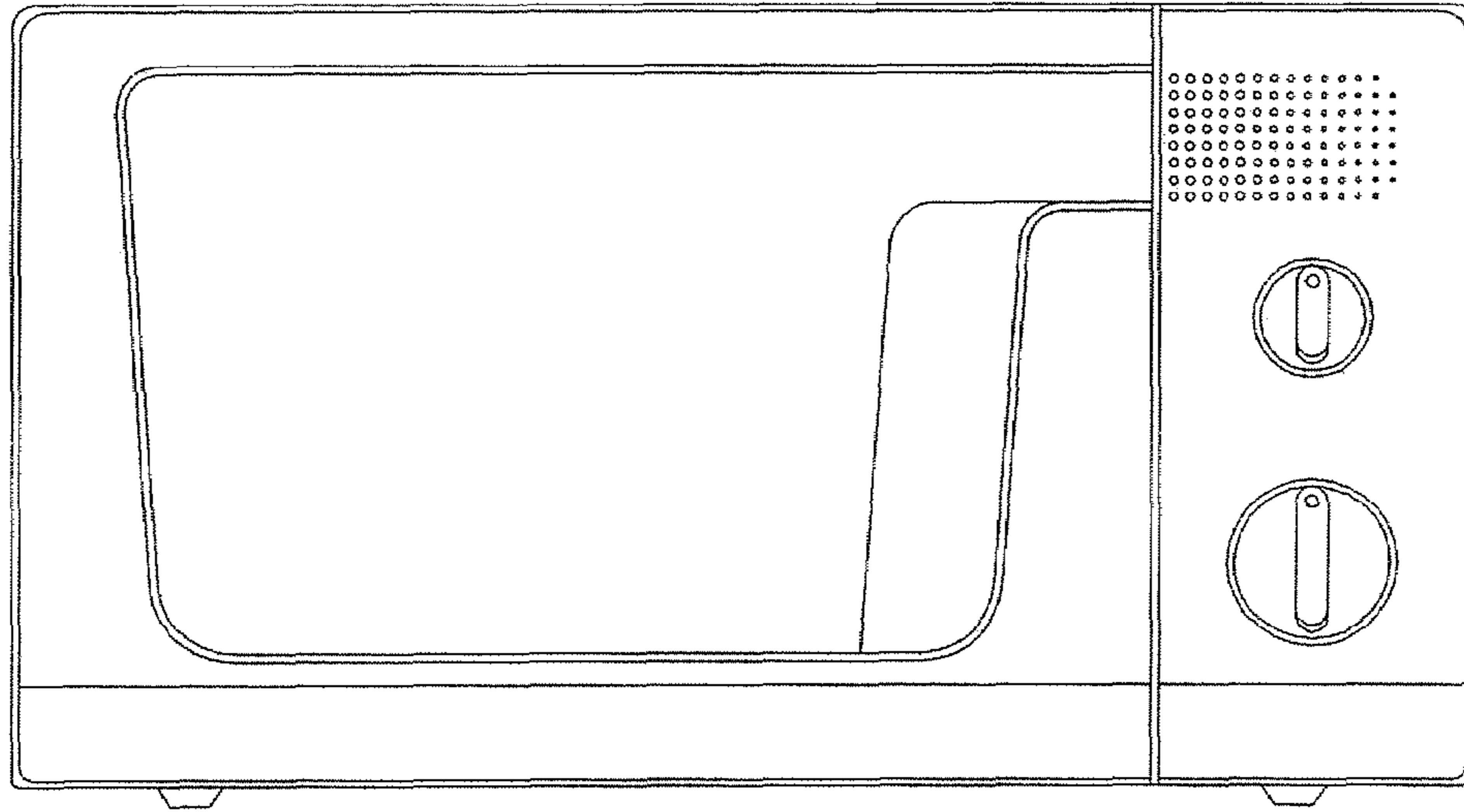


FIG. 3

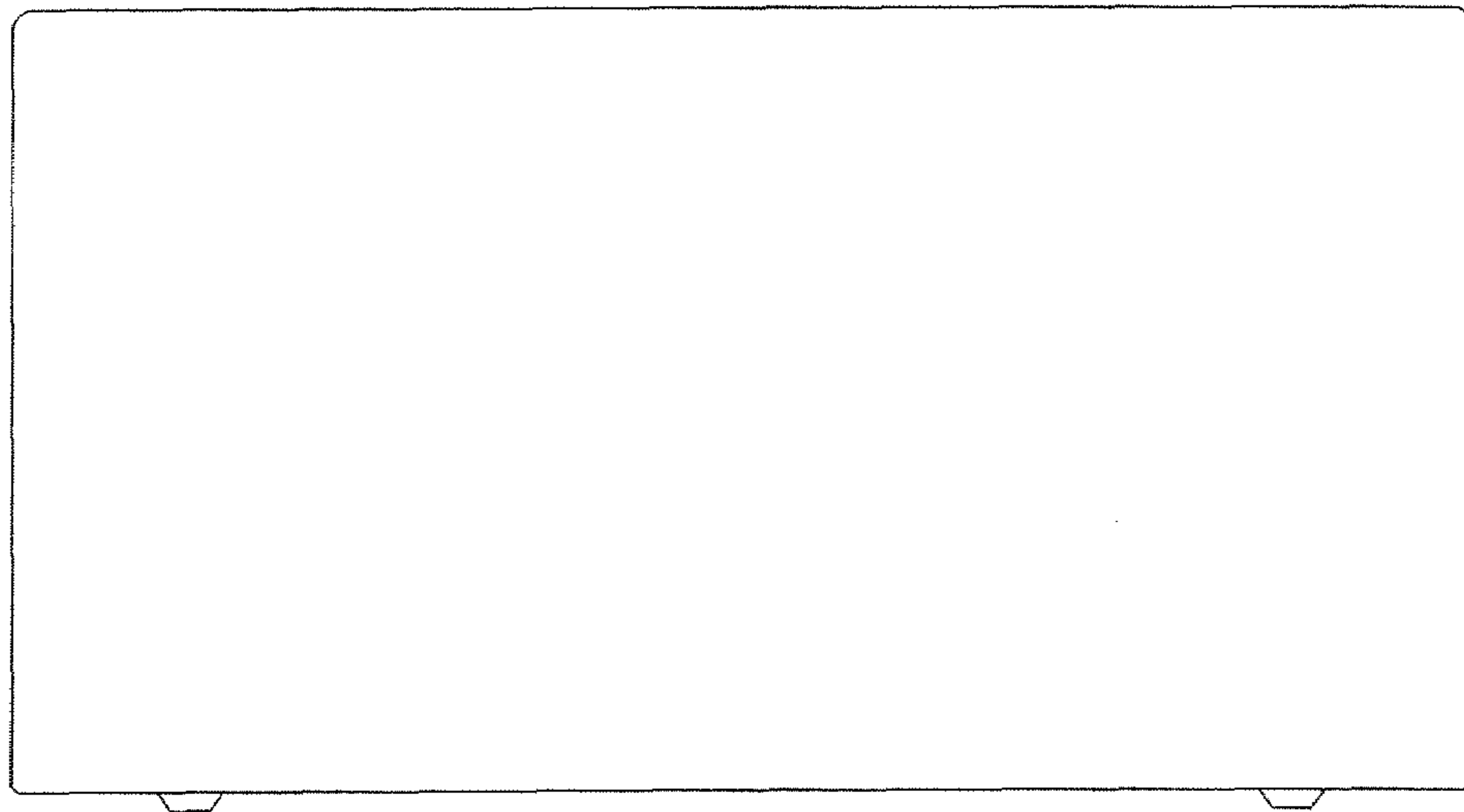


FIG. 4

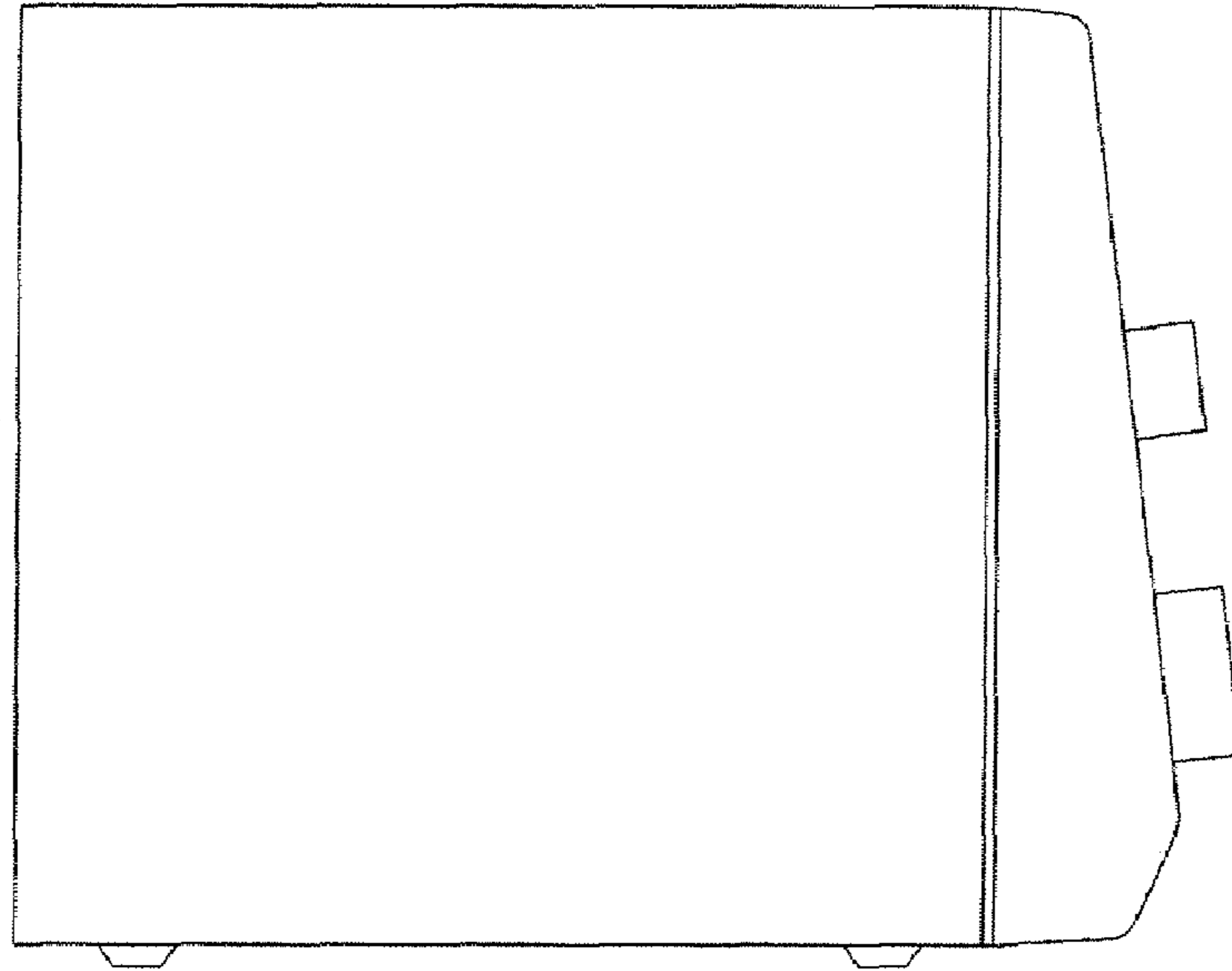


FIG. 5

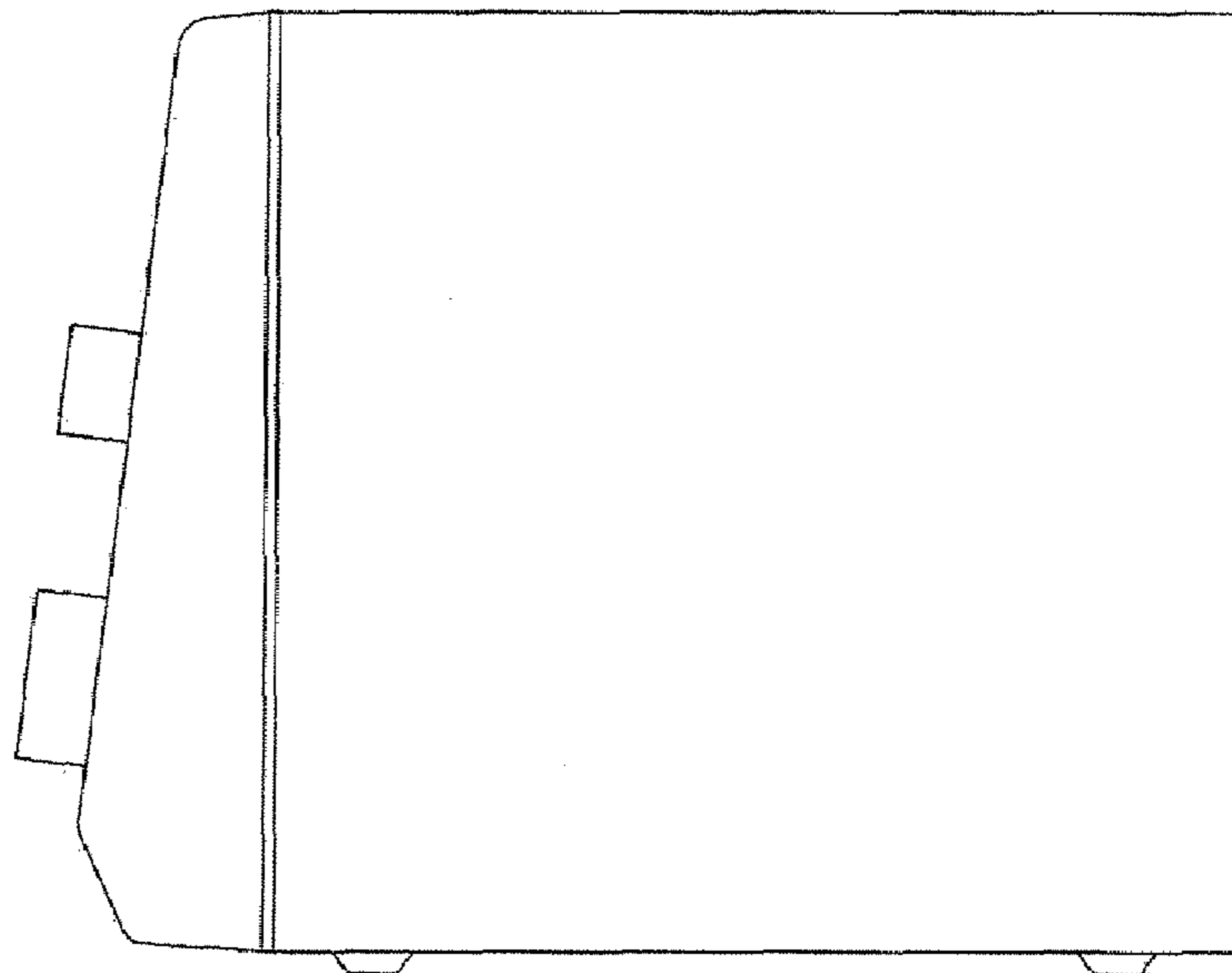


FIG. 6

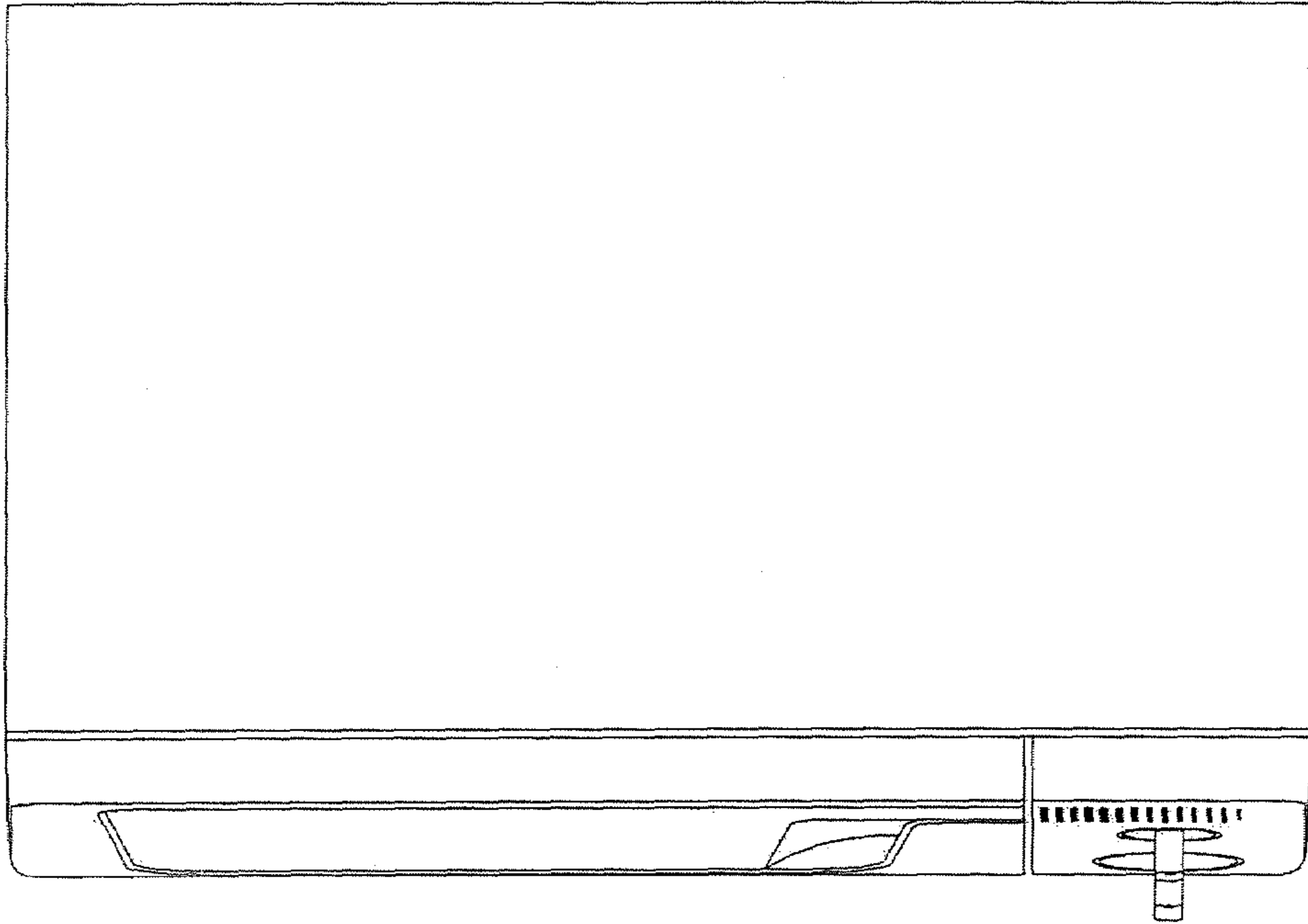


FIG. 7

