



US00D606795S

(12) **United States Design Patent**
Liao et al.

(10) **Patent No.:** **US D606,795 S**

(45) **Date of Patent:** **** Dec. 29, 2009**

(54) **BREWING APPARATUS**

(75) Inventors: **Yi-Chun Liao**, San Jose, CA (US);
Benjamin Pei-Ming Chia, Cupertino,
CA (US); **Stephen Hooper**, Los Gatos,
CA (US)

(73) Assignee: **Espressi, Inc.**, San Jose, CA (US)

(**) Term: **14 Years**

(21) Appl. No.: **29/343,462**

(22) Filed: **Sep. 14, 2009**

Related U.S. Application Data

(63) Continuation of application No. 29/334,074, filed on
Mar. 19, 2009.

(51) **LOC (9) Cl.** **07-01**

(52) **U.S. Cl.** **D7/300; D7/399; D7/309**

(58) **Field of Classification Search** D7/400,
D7/399, 401, 309; 99/319, 323, 302
See application file for complete search history.

(56) **References Cited**

U.S. PATENT DOCUMENTS

1,722,946	A *	7/1929	Raffa	210/471
4,497,243	A *	2/1985	Cavalli	99/323
D353,296	S *	12/1994	Assmann	D7/309
D393,568	S *	4/1998	Storsberg	D7/400
6,044,754	A *	4/2000	Fuentes	99/295
6,192,786	B1 *	2/2001	Gasser et al.	99/319

D439,799	S *	4/2001	Kwok	D7/400
D501,751	S *	2/2005	Lin	D7/309
D502,053	S *	2/2005	Bodum	D7/400
D523,690	S *	6/2006	Giannone	D7/395
D523,691	S *	6/2006	Greenwood et al.	D7/400
D548,507	S *	8/2007	Jacquet et al.	D7/309
D588,855	S *	3/2009	Jacquet et al.	D7/309

* cited by examiner

Primary Examiner—Marianne Pandozzi

(74) *Attorney, Agent, or Firm*—Schein & Cai LLP; James Cai

(57) **CLAIM**

The ornamental design for a brewing apparatus, as shown and described.

DESCRIPTION

FIG. 1 is a top perspective view of a brewing apparatus showing our new design;

FIG. 2 is a bottom perspective view thereof;

FIG. 3 is a front view thereof;

FIG. 4 is a rear view thereof;

FIG. 5 is a left side view thereof;

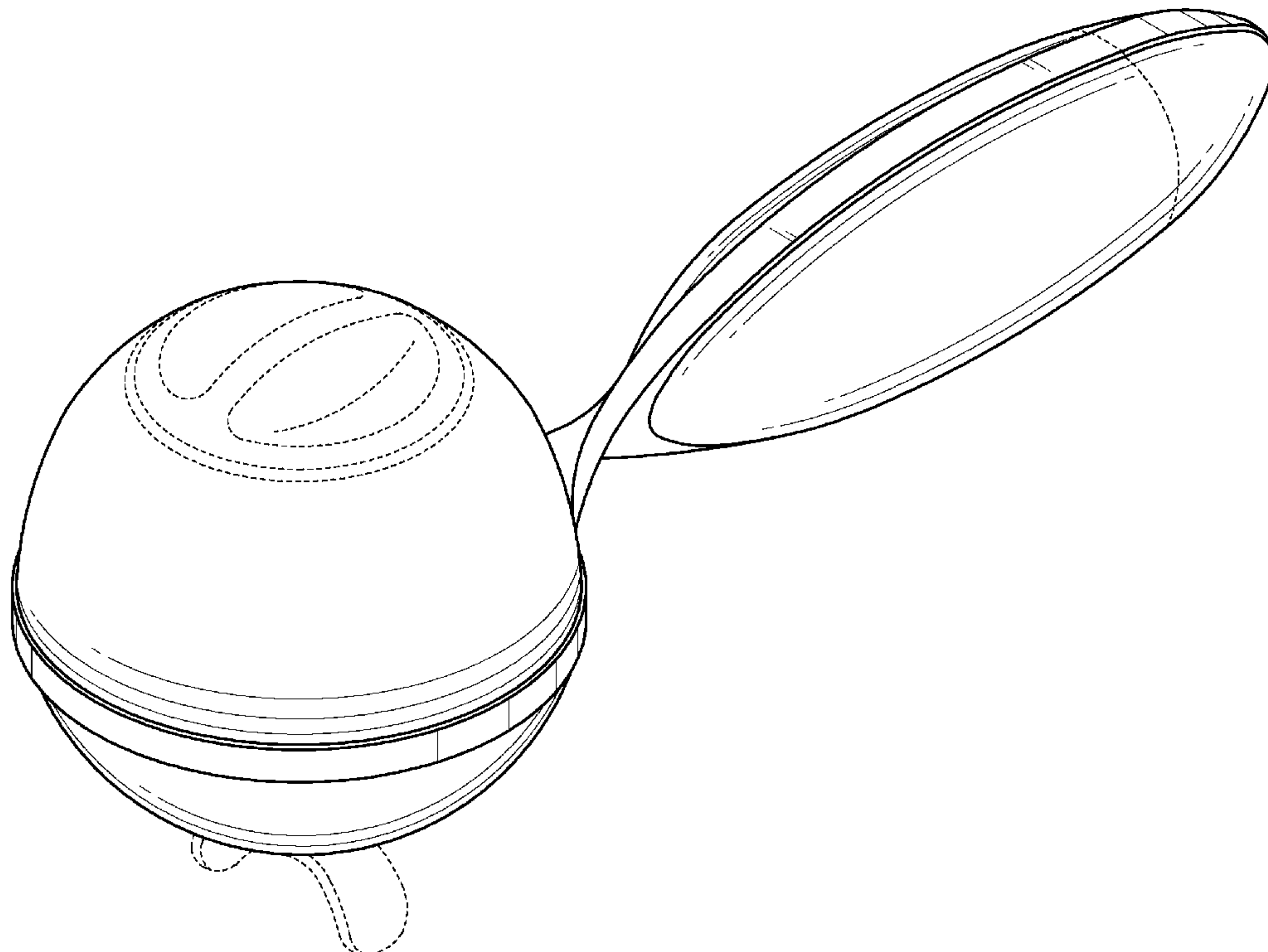
FIG. 6 is a right side view thereof;

FIG. 7 is a top plan view thereof; and,

FIG. 8 is a bottom plan view thereof.

The broken lines in the drawings are included for the purpose of illustration and form no part of the claimed design.

1 Claim, 7 Drawing Sheets



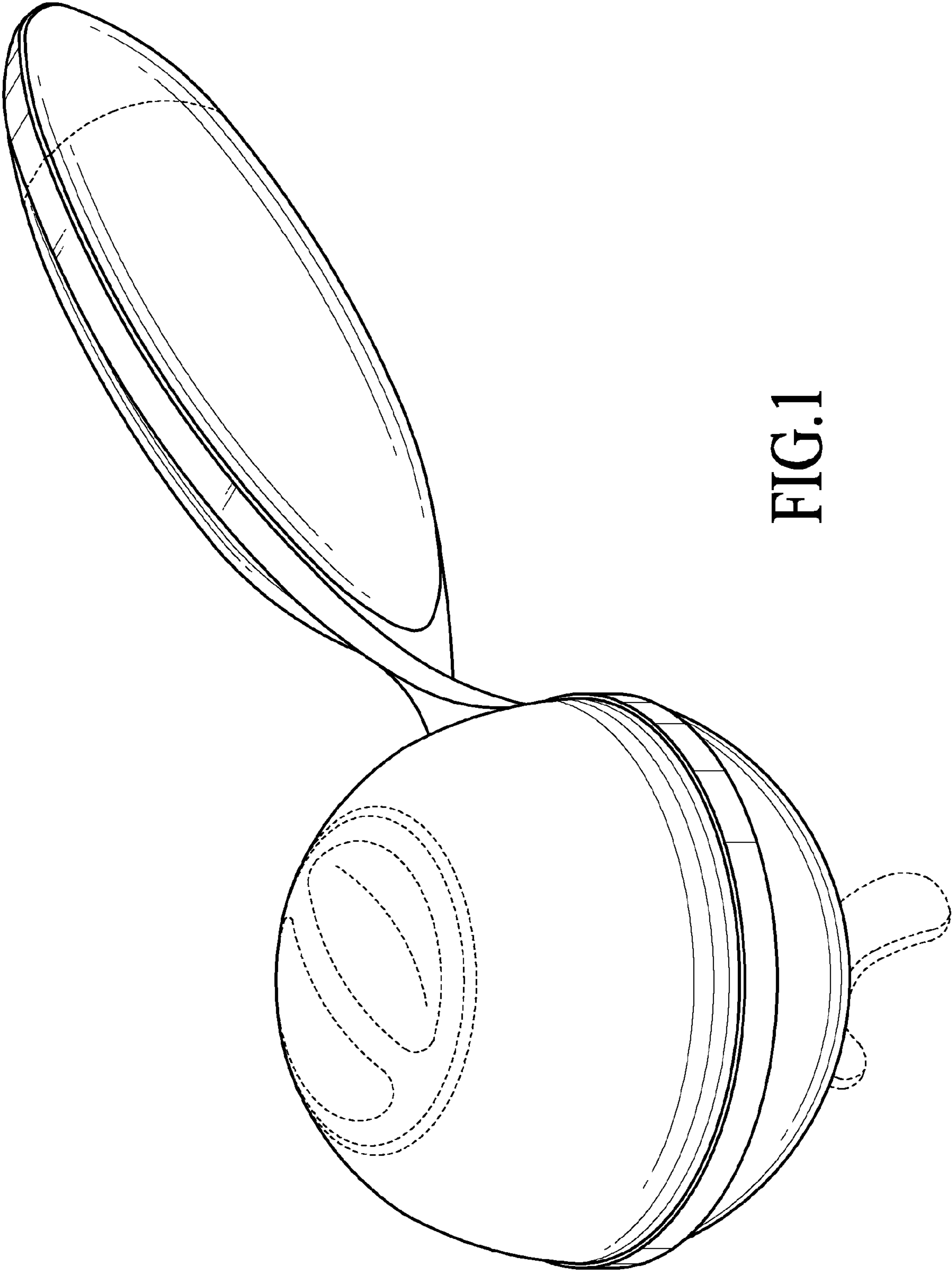


FIG. 1

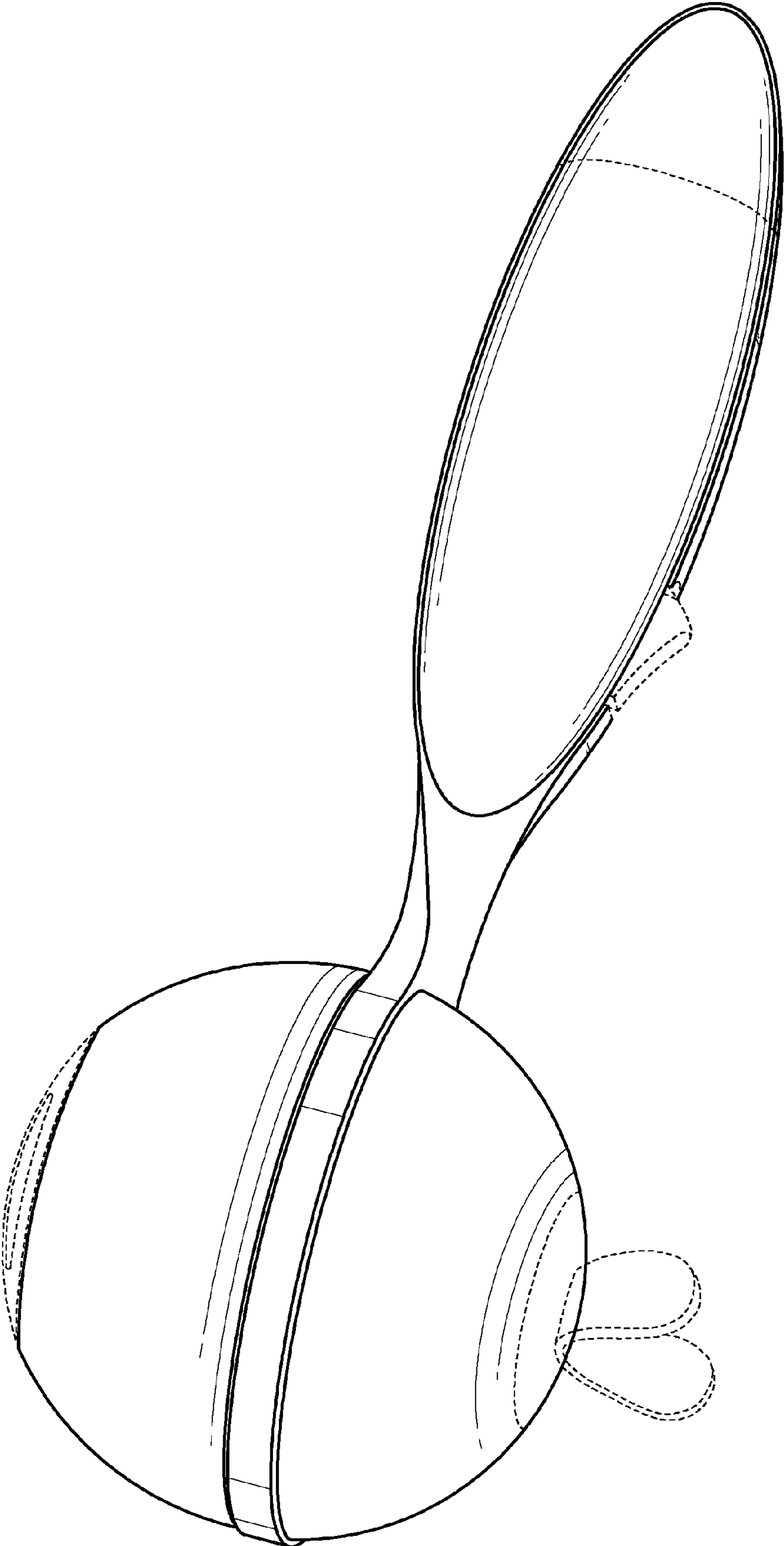


FIG.2

FIG.3

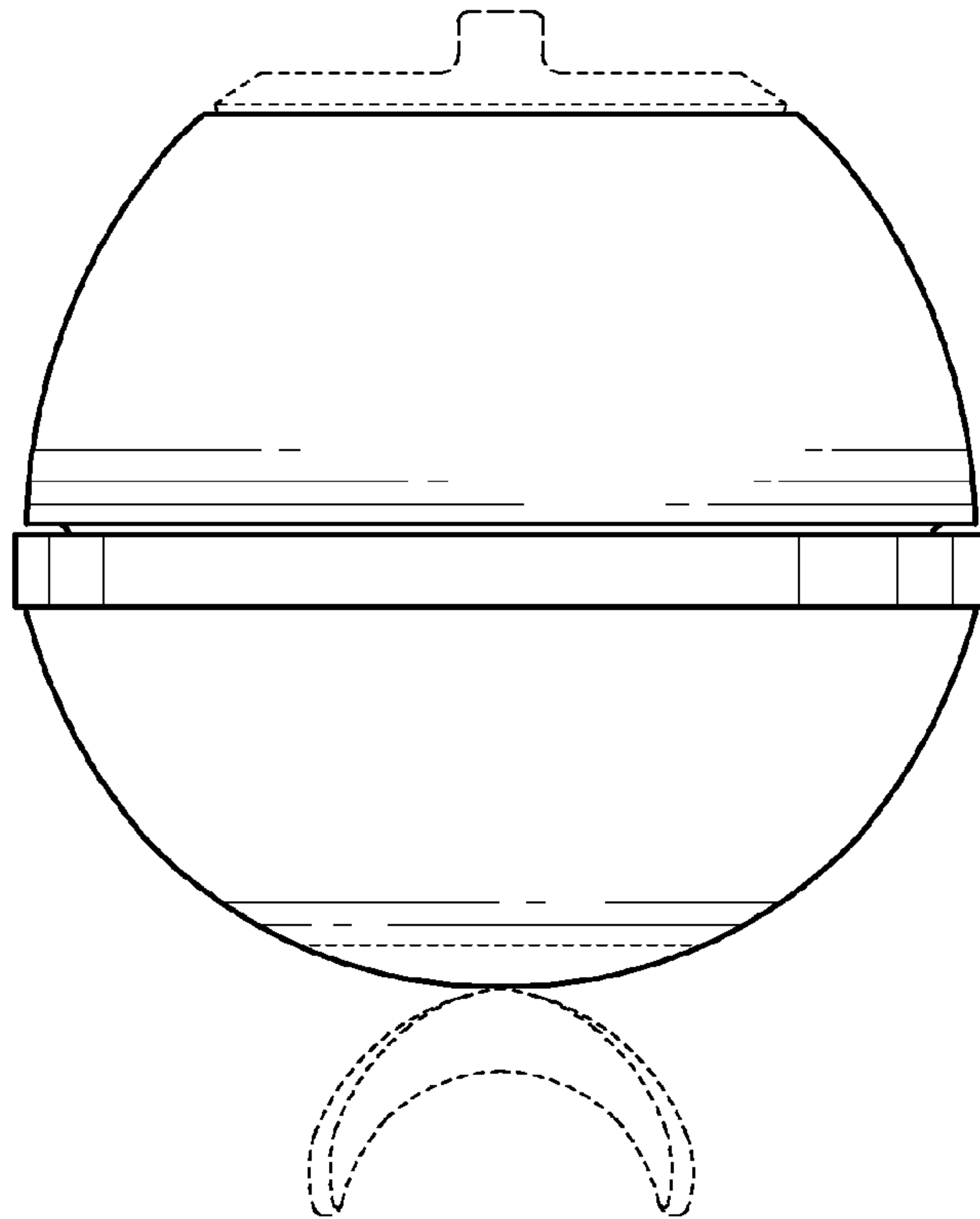
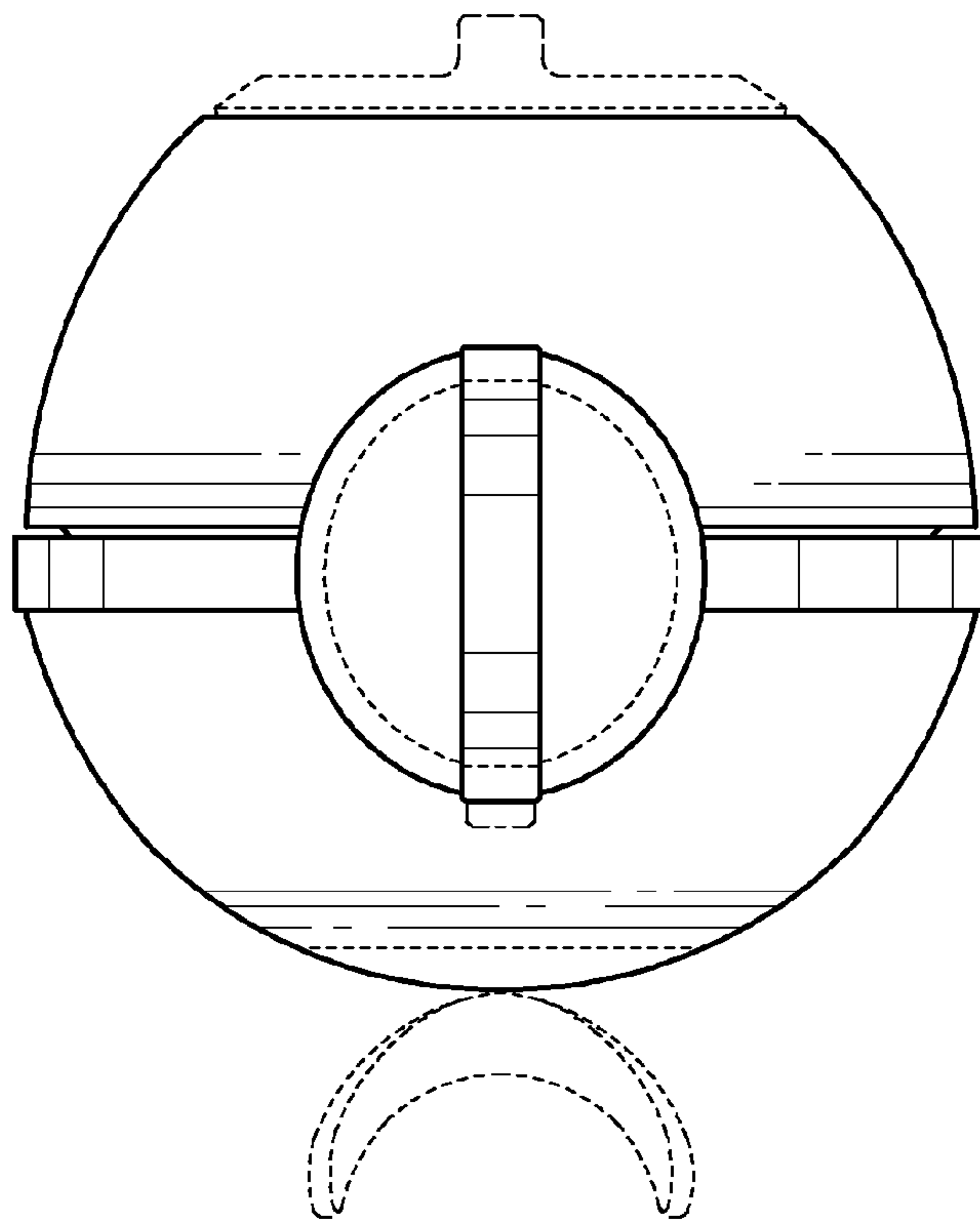


FIG.4



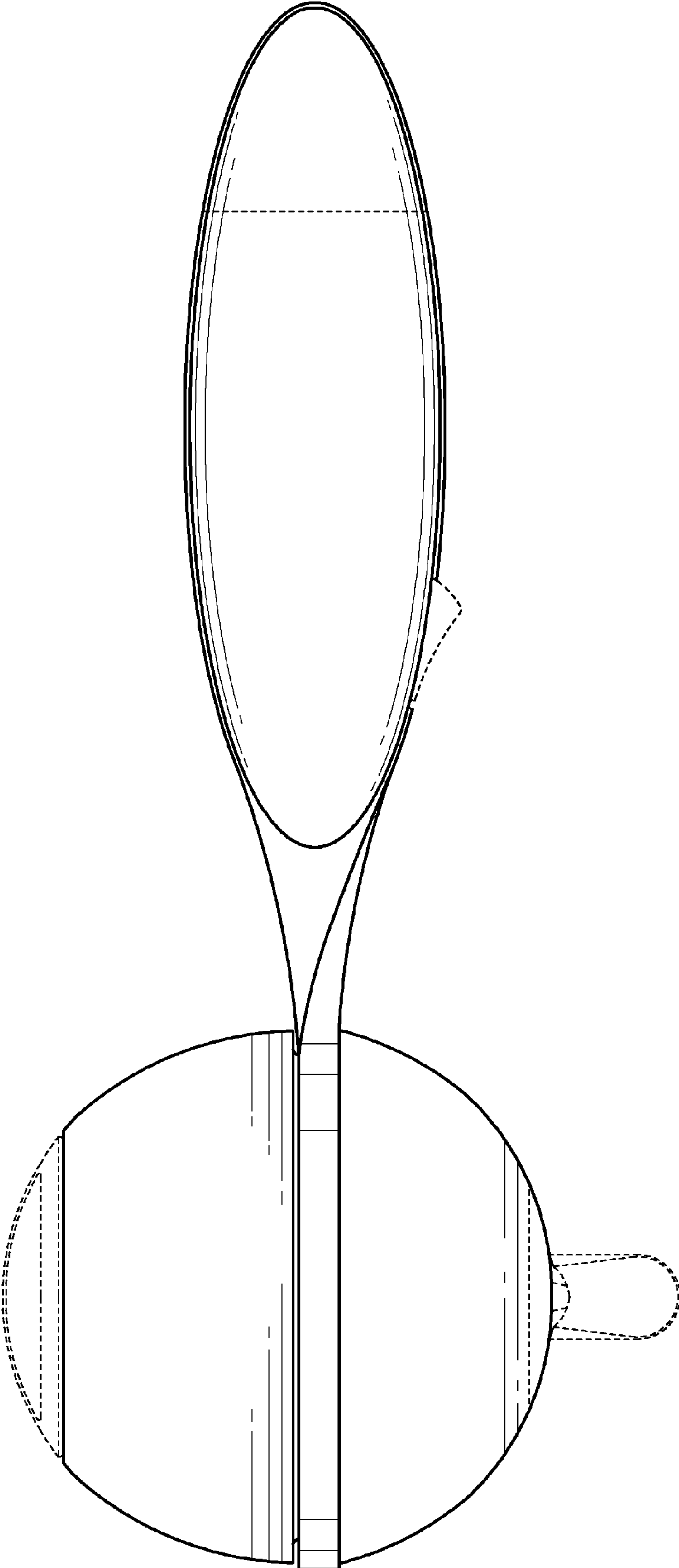


FIG.5

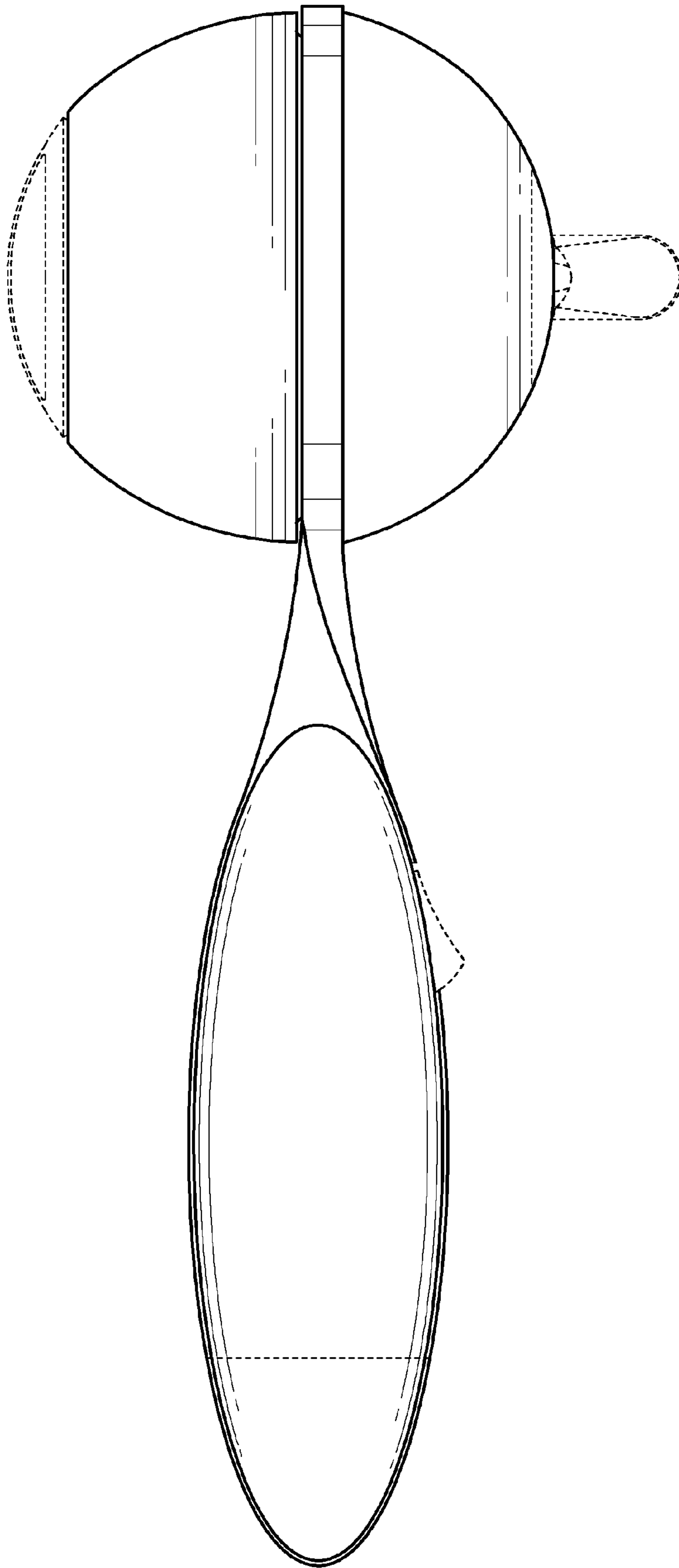


FIG.6

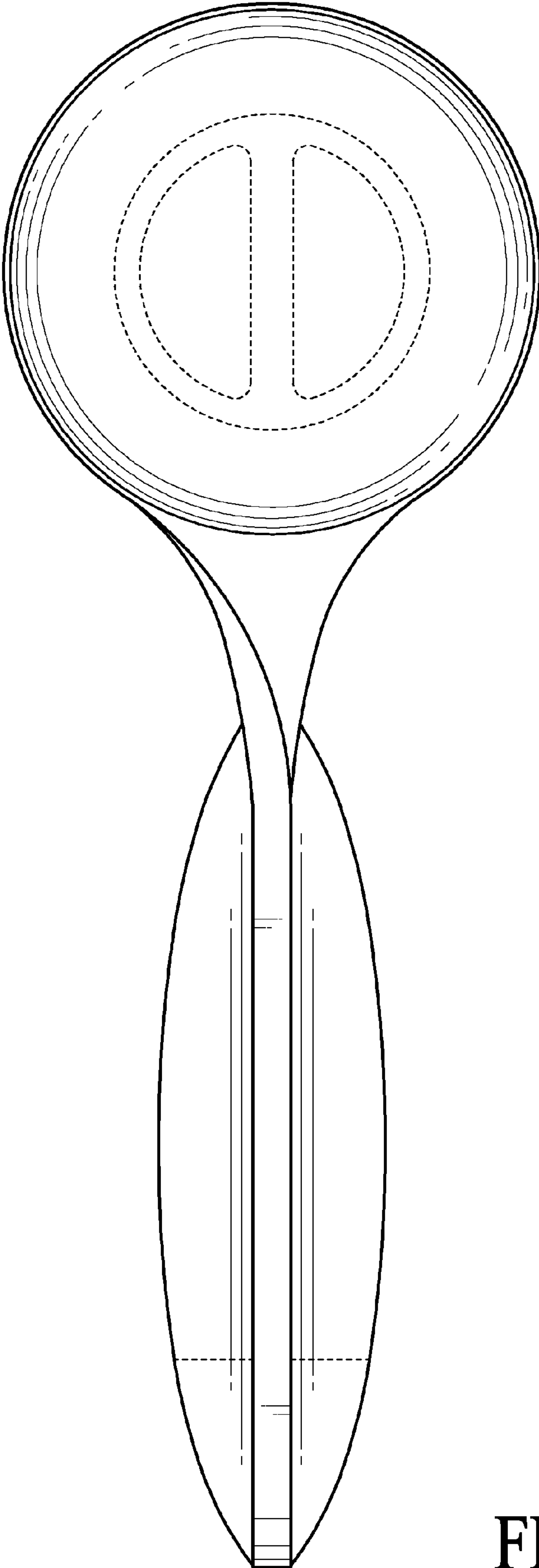


FIG.7

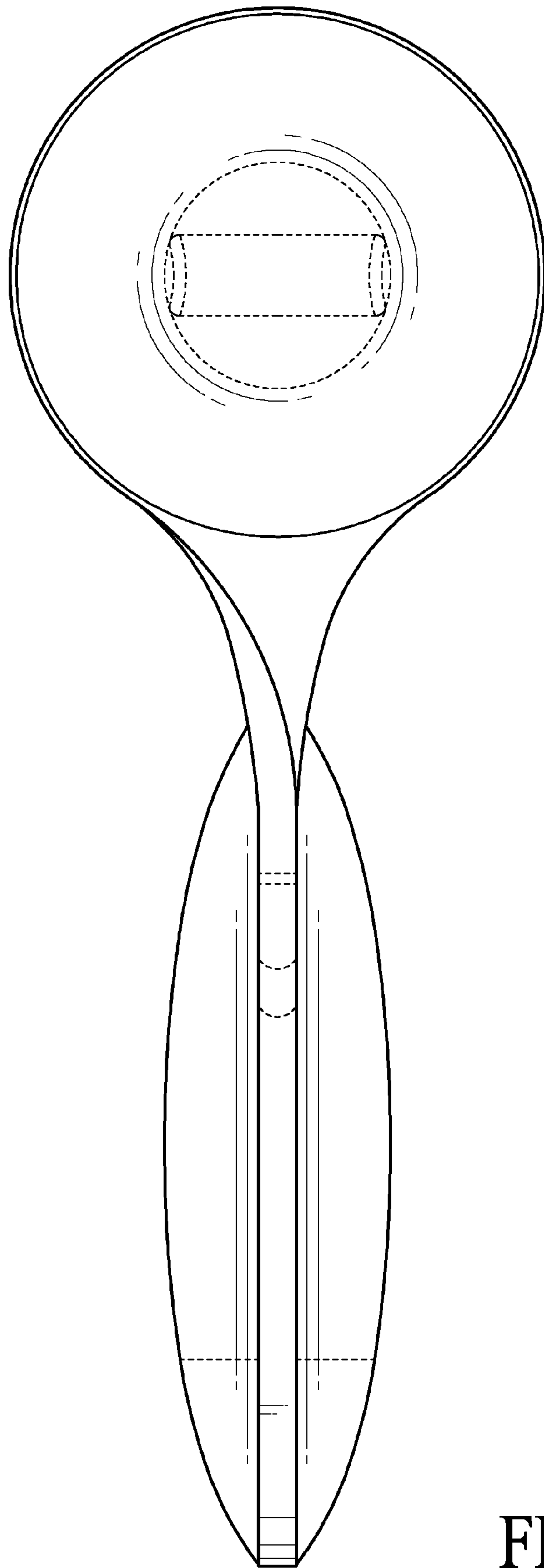


FIG.8