



US00D606793S

(12) **United States Design Patent**
Allsopp

(10) **Patent No.:** **US D606,793 S**

(45) **Date of Patent:** **** Dec. 29, 2009**

(54) **EXTRUSION FOR WINDOW BLIND FRAME**

(75) Inventor: **Reginald Charles Allsopp**, Cheshire (GB)

(73) Assignee: **Louver-Lite Limited**, Cheshire (GB)

(**) Term: **14 Years**

(21) Appl. No.: **29/300,817**

(22) Filed: **May 19, 2008**

(30) **Foreign Application Priority Data**

Nov. 20, 2007 (EM) 000829544

(51) **LOC (9) Cl.** **06-10**

(52) **U.S. Cl.** **D6/580**

(58) **Field of Classification Search** D6/575,
D6/576, 577, 578, 579, 580, 581; D13/155;
D25/66, 119, 122; 160/1 V, 32, 38, 168,
160/168 R, 496; D3/260; D8/376, 377;
D12/220; 4/506; 52/169.5; D20/44
See application file for complete search history.

(56) **References Cited**

U.S. PATENT DOCUMENTS

D486,340 S *	2/2004	Sudano	D6/580
D489,209 S *	5/2004	Goldberg	D6/580
D489,210 S *	5/2004	Goldberg	D6/580
D494,284 S *	8/2004	Wenrick et al.	D25/119
D495,426 S *	8/2004	Yamaoka	D25/66
D522,297 S *	6/2006	Miller et al.	D6/580
D530,967 S *	10/2006	Smith	D6/580
D539,230 S *	3/2007	Jordan	D13/155
D541,094 S *	4/2007	Yu et al.	D6/580
D542,067 S *	5/2007	Watkins et al.	D6/580

D542,068 S *	5/2007	Watkins et al.	D6/580
D544,105 S *	6/2007	Flehsig	D25/119
D567,002 S *	4/2008	Allsopp	D6/580

* cited by examiner

Primary Examiner—Robert M Spear

Assistant Examiner—Barbara B Lohr

(74) *Attorney, Agent, or Firm*—Foley & Lardner LLP

(57) **CLAIM**

The ornamental design for an extrusion for window blind frame, as shown.

DESCRIPTION

FIG. 1 is a perspective view from the top, front and right side of an extrusion for window blind frame.

FIG. 2 is an elevation view from the right side of the extrusion for window blind frame of FIG. 1.

FIG. 3 is a top plan view of the extrusion for window blind frame of FIG. 1.

FIG. 4 is a bottom plan view of the of the extrusion for window blind frame of FIG. 1.

FIG. 5 is an elevation view from the rear of the extrusion for window blind frame of FIG. 1; and,

FIG. 6 is an elevation view from the front of the extrusion for window blind frame of FIG. 1.

In the drawings, the left side elevation view is omitted. An elevation view from the left side would be a mirror image of the right side view shown in FIG. 2.

The extrusion for window blind frame is shown broken away to indicate that no specific length is claimed.

1 Claim, 1 Drawing Sheet

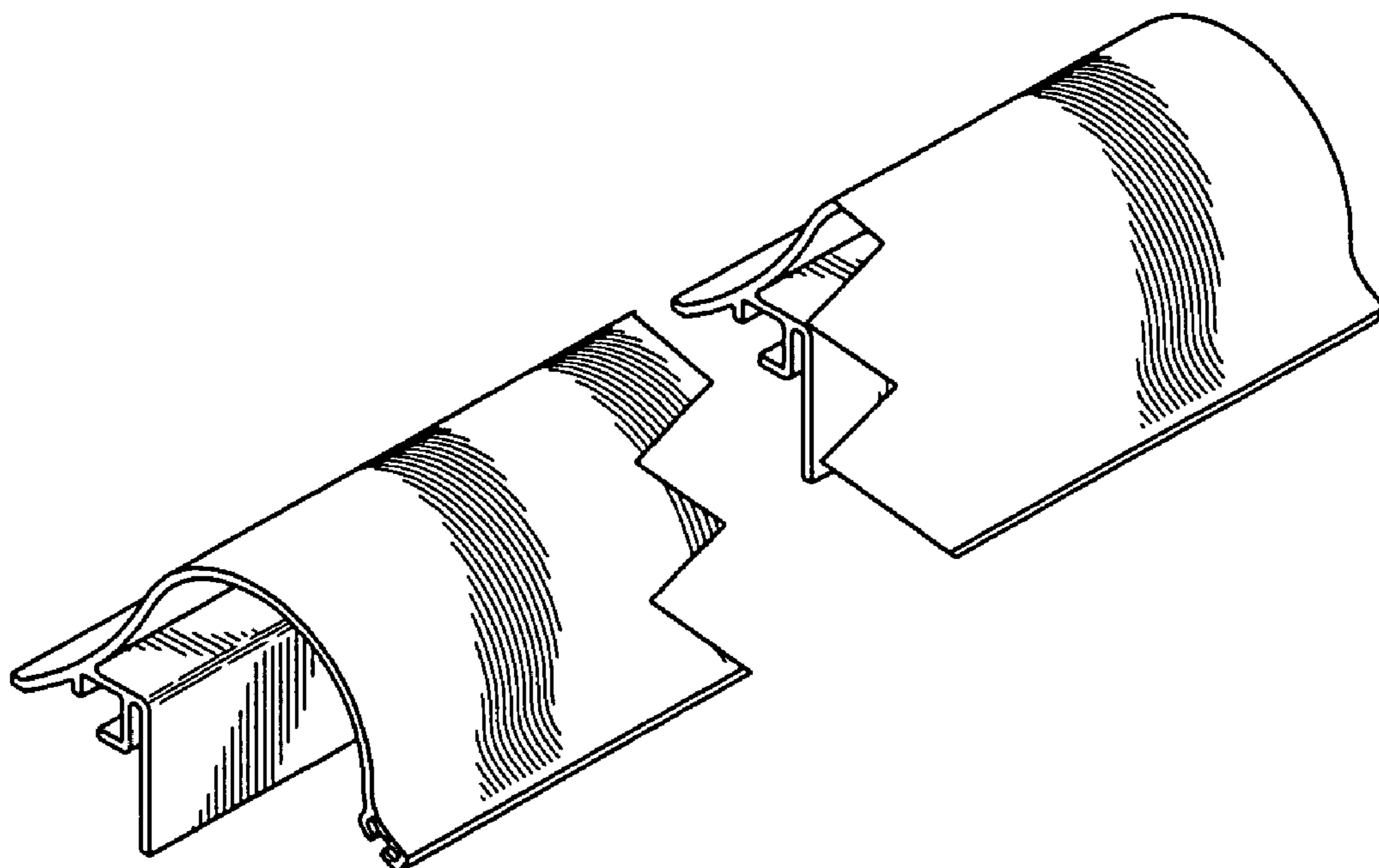


Fig. 1

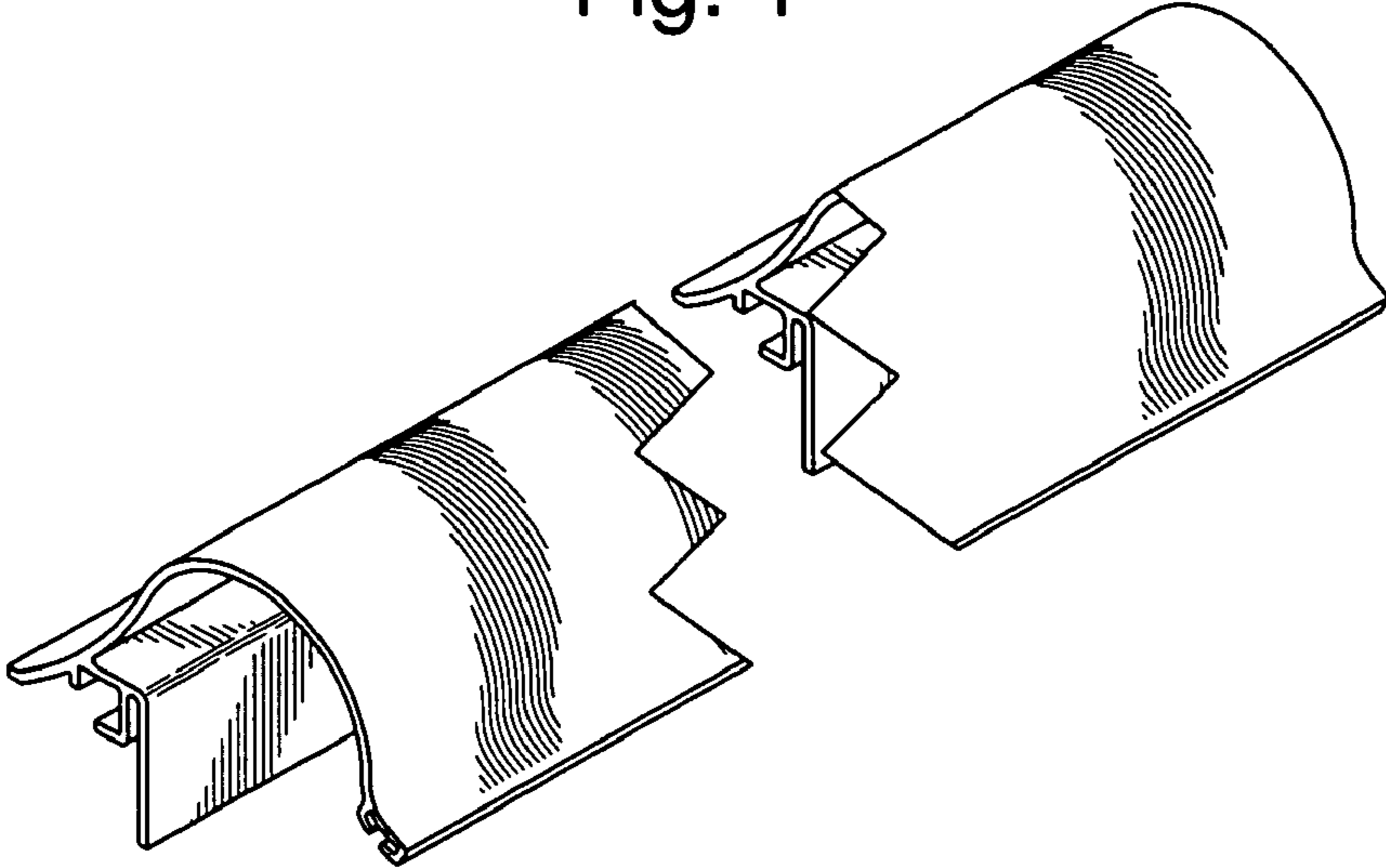


Fig. 2

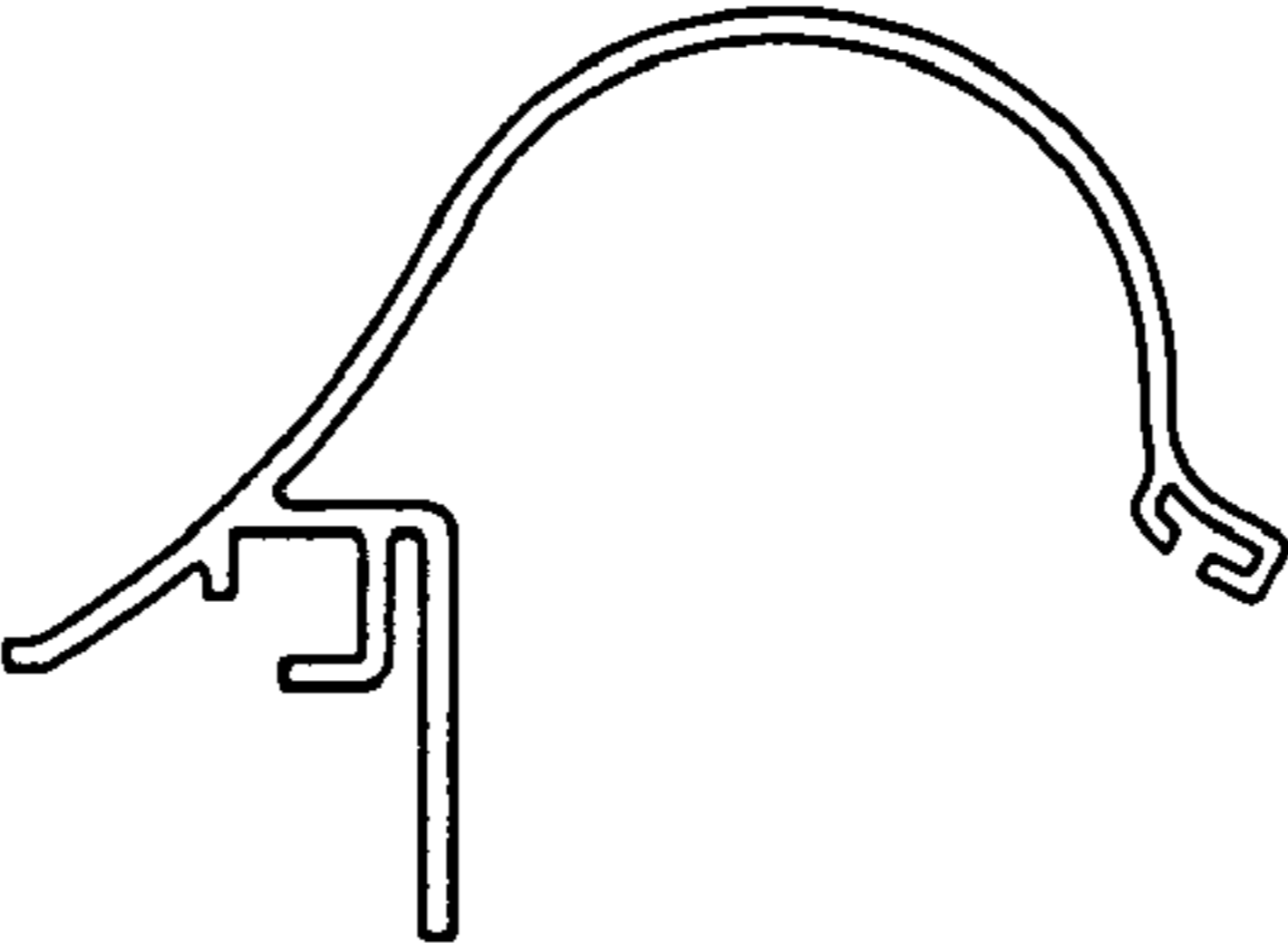


Fig. 3

