



US00D606791S

(12) **United States Design Patent**  
**Koury**

(10) **Patent No.:** **US D606,791 S**

(45) **Date of Patent:** **\*\* \*Dec. 29, 2009**

(54) **TOWEL BAR**

(75) Inventor: **Steffen F. Koury**, Everett, MA (US)

(73) Assignee: **Liberty Hardware Mfg. Corp.**,  
Winston-Salem, NC (US)

(\*) Notice: This patent is subject to a terminal disclaimer.

(\*\*) Term: **14 Years**

(21) Appl. No.: **29/328,760**

(22) Filed: **Dec. 2, 2008**

(51) **LOC (9) Cl.** ..... **06-04**

(52) **U.S. Cl.** ..... **D6/549**

(58) **Field of Classification Search** ..... D6/518-524,  
D6/546-550; D8/300, 370, 315; 108/28-29;  
211/13.1, 16, 85.5, 86.01, 87.01, 88.04, 100,  
211/105.1, 105.2, 106, 113, 123, 181.1, 182-183;  
248/49, 175, 176.1, 200, 201, 205.1, 251,  
248/302, 309.1, 315; 242/570, 590, 595-598  
See application file for complete search history.

(56) **References Cited**

**U.S. PATENT DOCUMENTS**

D204,057 S *	3/1966	Doty et al.	.....	D8/363
D334,315 S *	3/1993	Bengtson	.....	D6/524
D361,006 S *	8/1995	Sharpe	.....	D6/524
D375,011 S *	10/1996	Lee	.....	D6/550
D418,345 S *	1/2000	Chen	.....	D6/550
D448,593 S *	10/2001	Harvey	.....	D6/550

D454,744 S *	3/2002	Ou-Young	.....	D6/550
D455,034 S *	4/2002	Ou-Young	.....	D6/524
D461,353 S *	8/2002	Gilbert	.....	D6/549
D463,934 S *	10/2002	Gilbert et al.	.....	D6/549
D476,836 S *	7/2003	Lai	.....	D6/524
D477,954 S *	8/2003	Gilbert	.....	D6/549
D492,523 S *	7/2004	Graves et al.	.....	D6/524
D492,870 S *	7/2004	Graves et al.	.....	D6/549
D529,743 S *	10/2006	Gilbert	.....	D6/550
D533,385 S *	12/2006	Murray	.....	D6/550

\* cited by examiner

*Primary Examiner*—Brian N Vinson

(74) *Attorney, Agent, or Firm*—Edgar A. Zarins; Nirav D. Parikh

(57) **CLAIM**

The ornamental design for a towel bar, as shown and described.

**DESCRIPTION**

FIG. 1 is a perspective view of a towel bar showing my new design

FIG. 2 is a right end view thereof, the opposite end being a mirror image of the end shown;

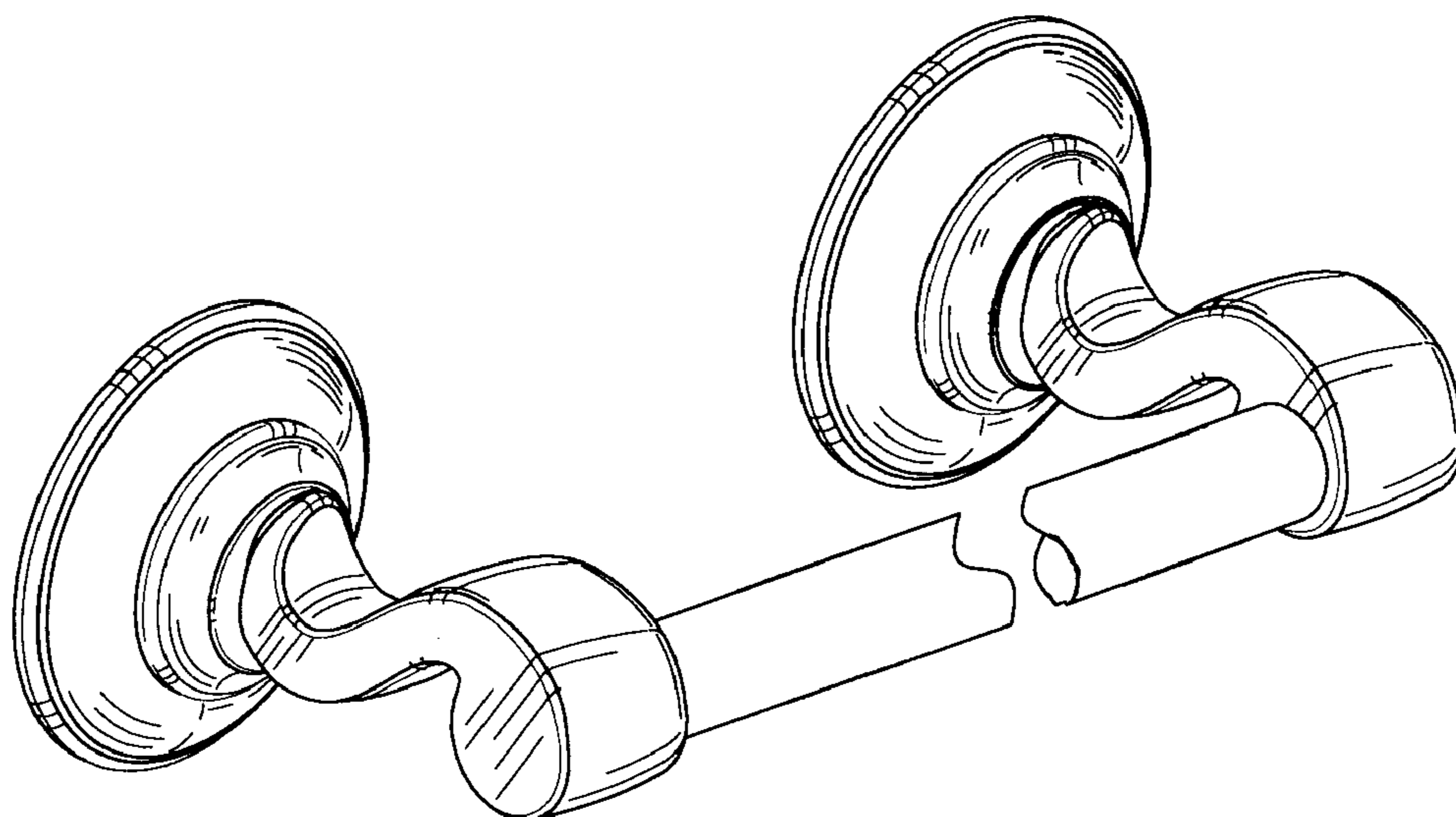
FIG. 3 is a top plan view thereof;

FIG. 4 is a bottom plan view thereof; and,

FIG. 5 is a front elevational view thereof.

The bar element in the views is shown broken-away which is understood to represent unclaimed length.

**1 Claim, 2 Drawing Sheets**



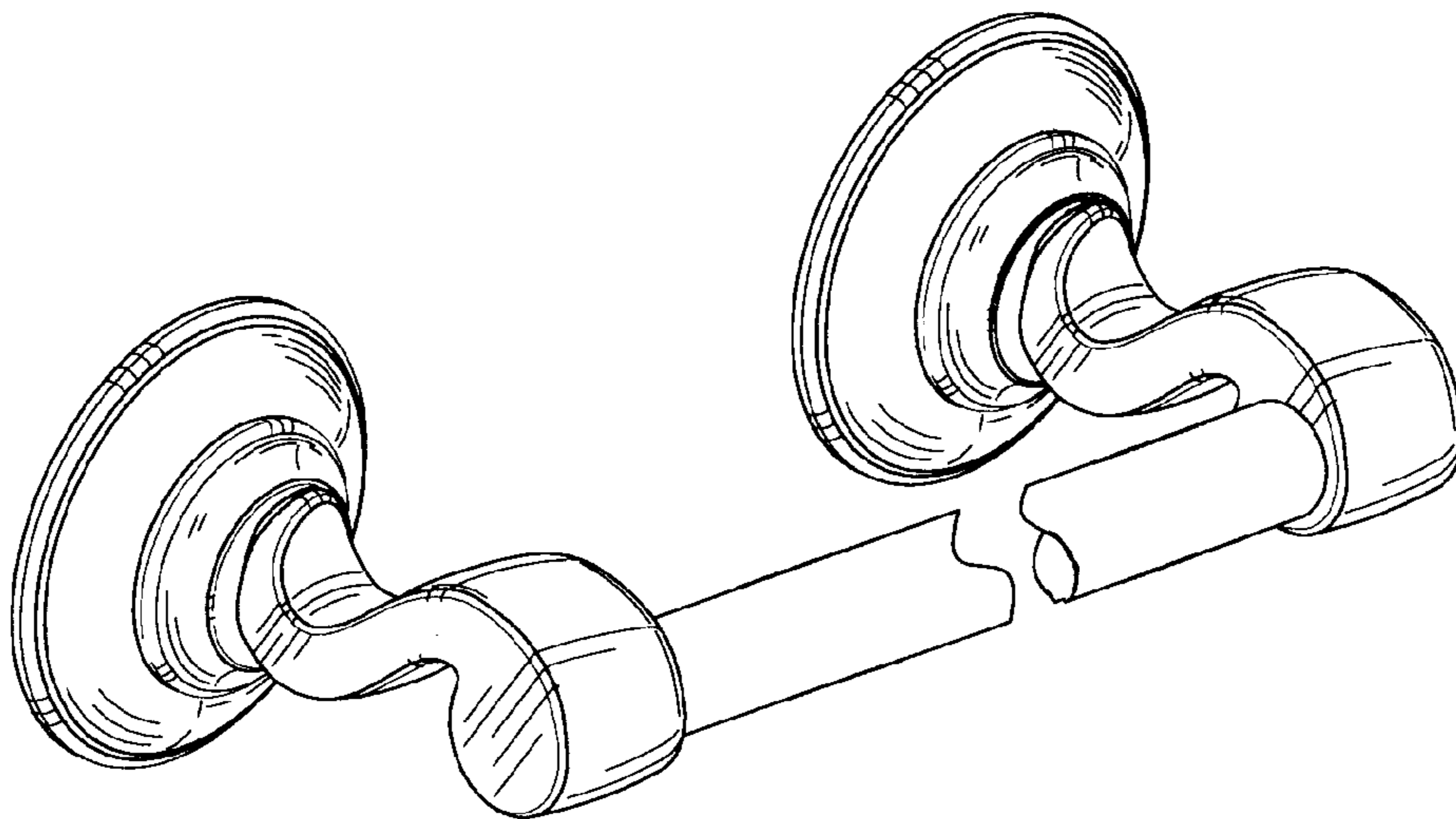


Fig-1

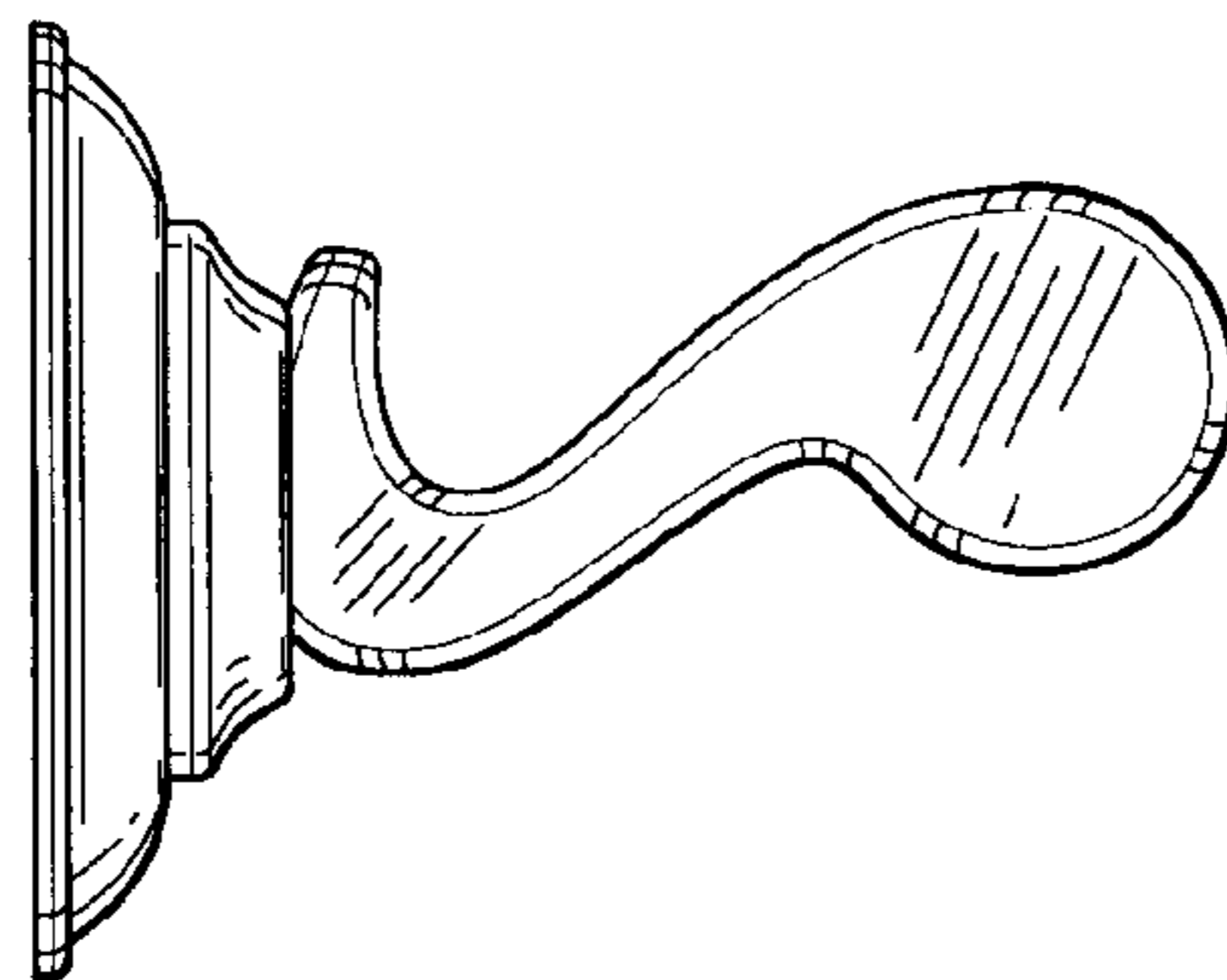


Fig-2

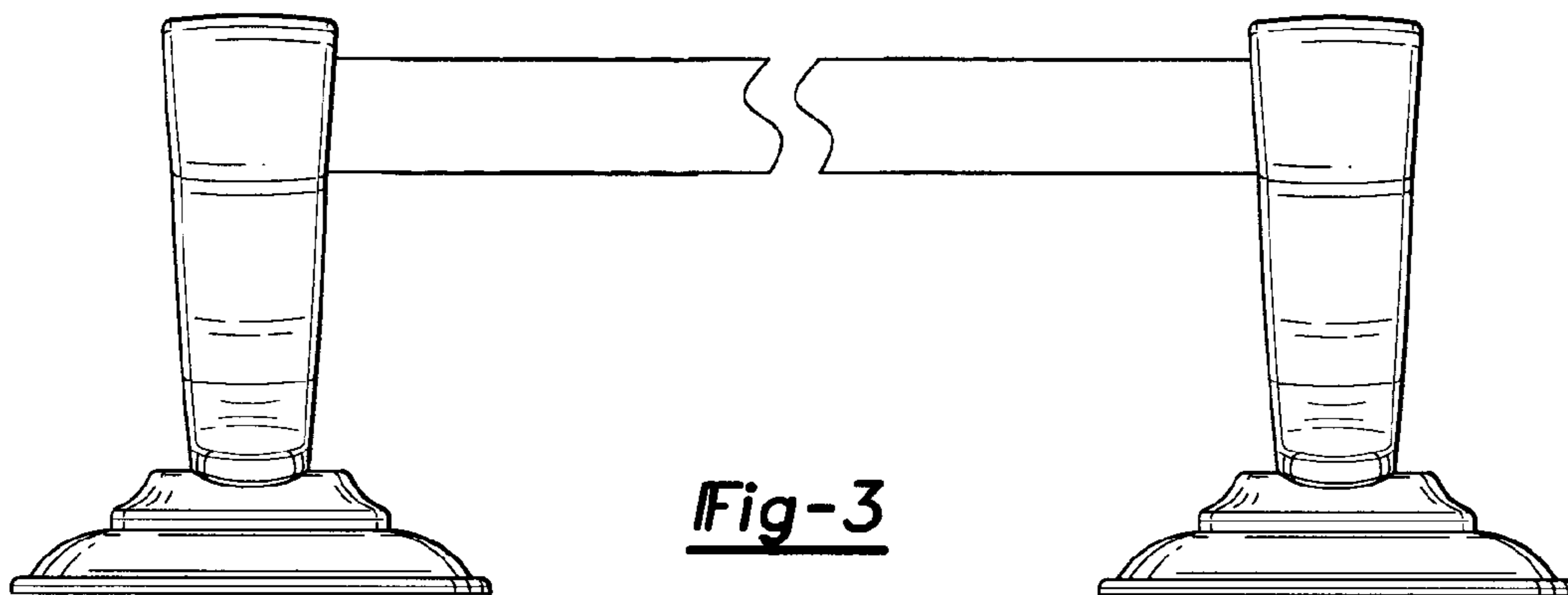


Fig-3

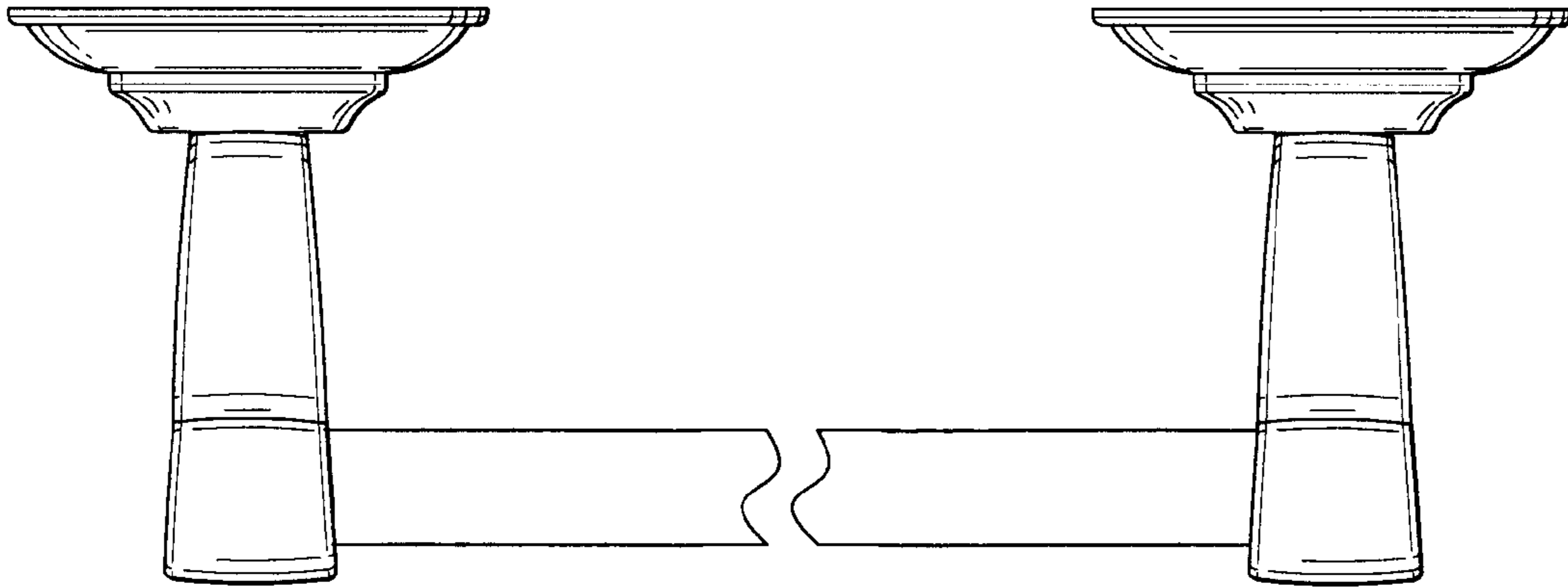


Fig-4

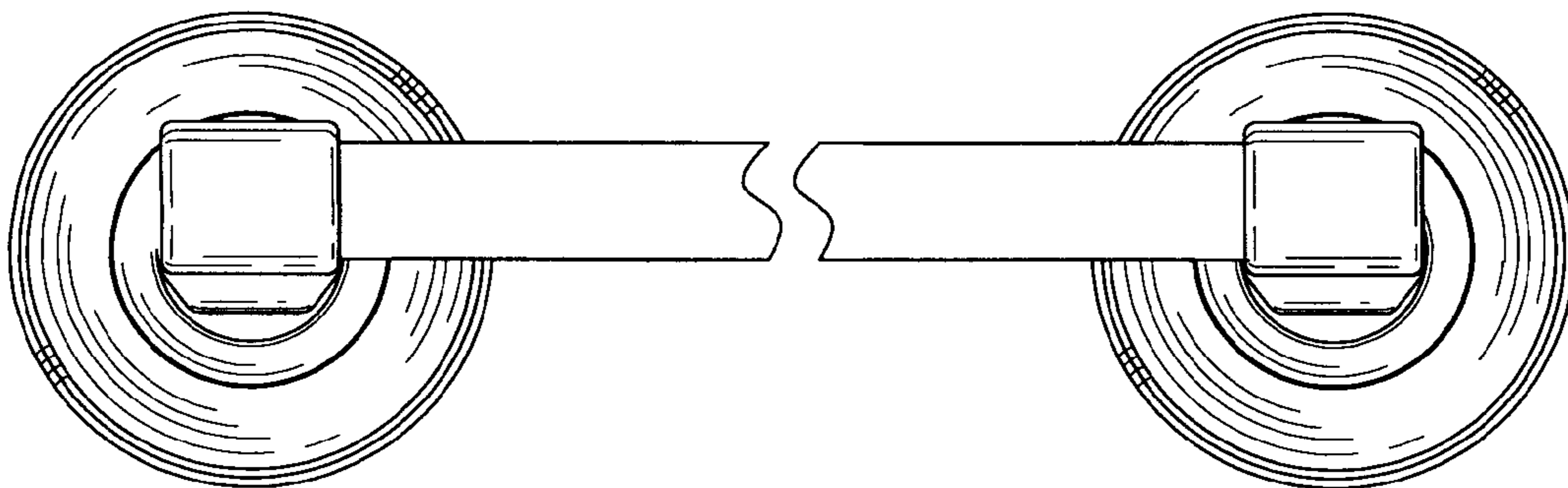


Fig-5