



US00D606790S

(12) **United States Design Patent**
Yoo

(10) **Patent No.:** **US D606,790 S**

(45) **Date of Patent:** **** *Dec. 29, 2009**

(54) **BATH ACCESSORY POST**

(75) Inventor: **Man Ki Yoo**, Morton Grove, IL (US)

(73) Assignee: **Liberty Hardware Mfg. Corp.**,
Winston-Salem, NC (US)

(*) Notice: This patent is subject to a terminal disclaimer.

(**) Term: **14 Years**

(21) Appl. No.: **29/330,924**

(22) Filed: **Jan. 16, 2009**

(51) **LOC (9) Cl.** **23-02**

(52) **U.S. Cl.** **D6/524**

(58) **Field of Classification Search** D6/518-524,
D6/546-550; D8/300, 370, 315; 108/28-29;
211/13.1, 16, 85.5, 86.01, 87.01, 88.04, 100,
211/105.1, 105.2, 106, 113, 123, 181.1, 182-183;
248/49, 175, 176.1, 200, 201, 205.1, 251,
248/302, 309.1, 315; 242/570, 590, 595-598
See application file for complete search history.

(56) **References Cited**

U.S. PATENT DOCUMENTS

D334,315 S * 3/1993 Bengtson D6/524
D361,006 S * 8/1995 Sharpe D6/524
D449,952 S * 11/2001 Lyndon D6/549
D454,744 S * 3/2002 Ou-Young D6/550

D455,034 S * 4/2002 Ou-Young D6/524
D476,836 S * 7/2003 Lai D6/524
D492,530 S * 7/2004 Chen D6/549
D498,629 S * 11/2004 Fuchs D6/549
D503,061 S * 3/2005 Fuchs D6/549
D516,850 S * 3/2006 Shieh D6/549
D540,086 S * 4/2007 Kirar D6/549
D540,599 S * 4/2007 Krumpel et al. D6/549
D551,001 S * 9/2007 Pipe D6/524
D552,903 S * 10/2007 Bitterman D6/524
D563,707 S * 3/2008 Lee D6/549
D574,652 S * 8/2008 Zhang D6/549
D576,437 S * 9/2008 Krumpel et al. D6/549

* cited by examiner

Primary Examiner—Brian N Vinson

(74) *Attorney, Agent, or Firm*—Edgar A. Zarins; Nirav D. Parikh

(57) **CLAIM**

The ornamental design for a bath accessory post, as shown and described.

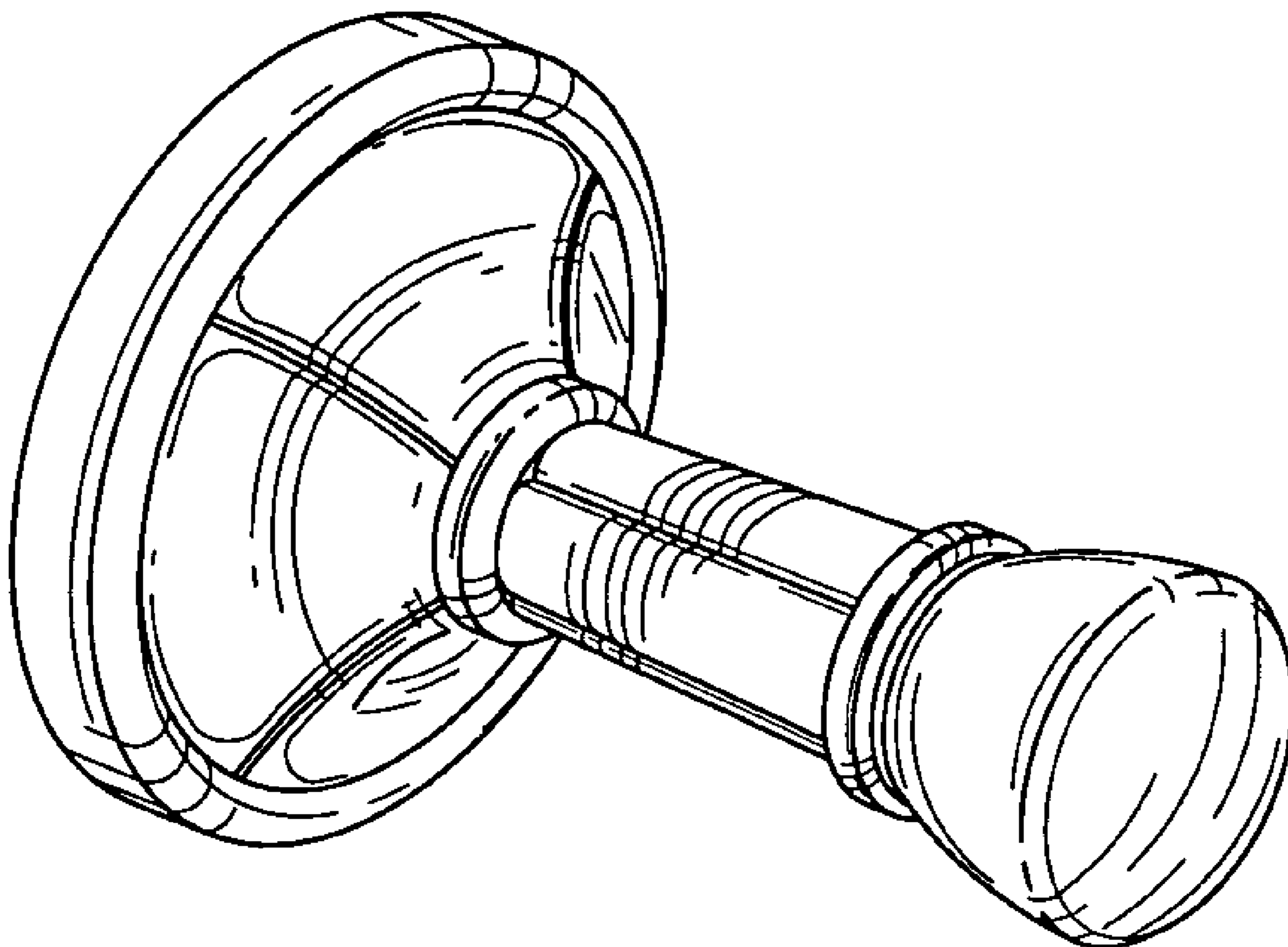
DESCRIPTION

FIG. 1 is a perspective view of a bath accessory post showing my new design;

FIG. 2 is a side view thereof; the other sides being a mirror image of the side shown; and,

FIG. 3 is a front end view thereof.

1 Claim, 1 Drawing Sheet



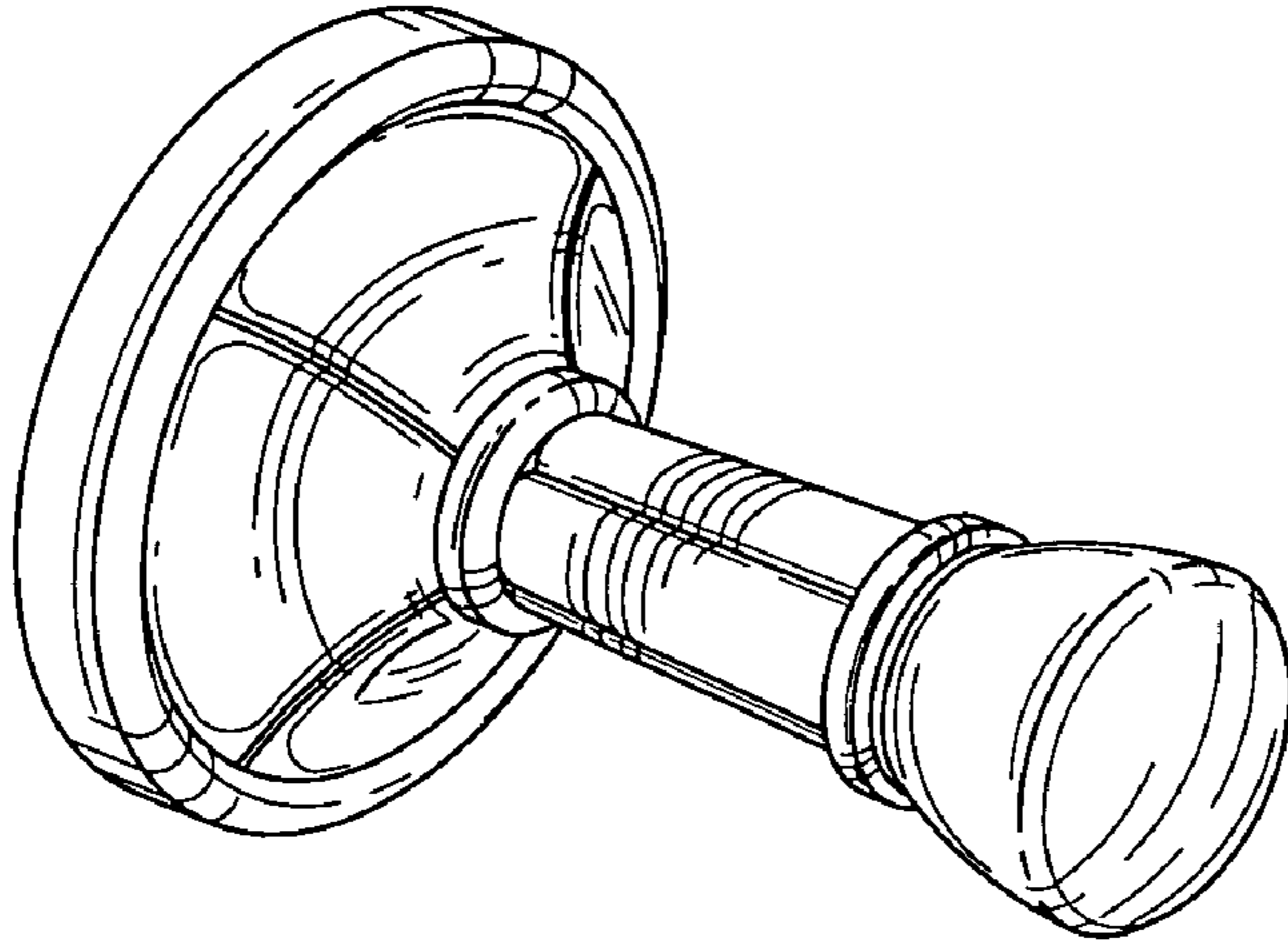


Fig-1

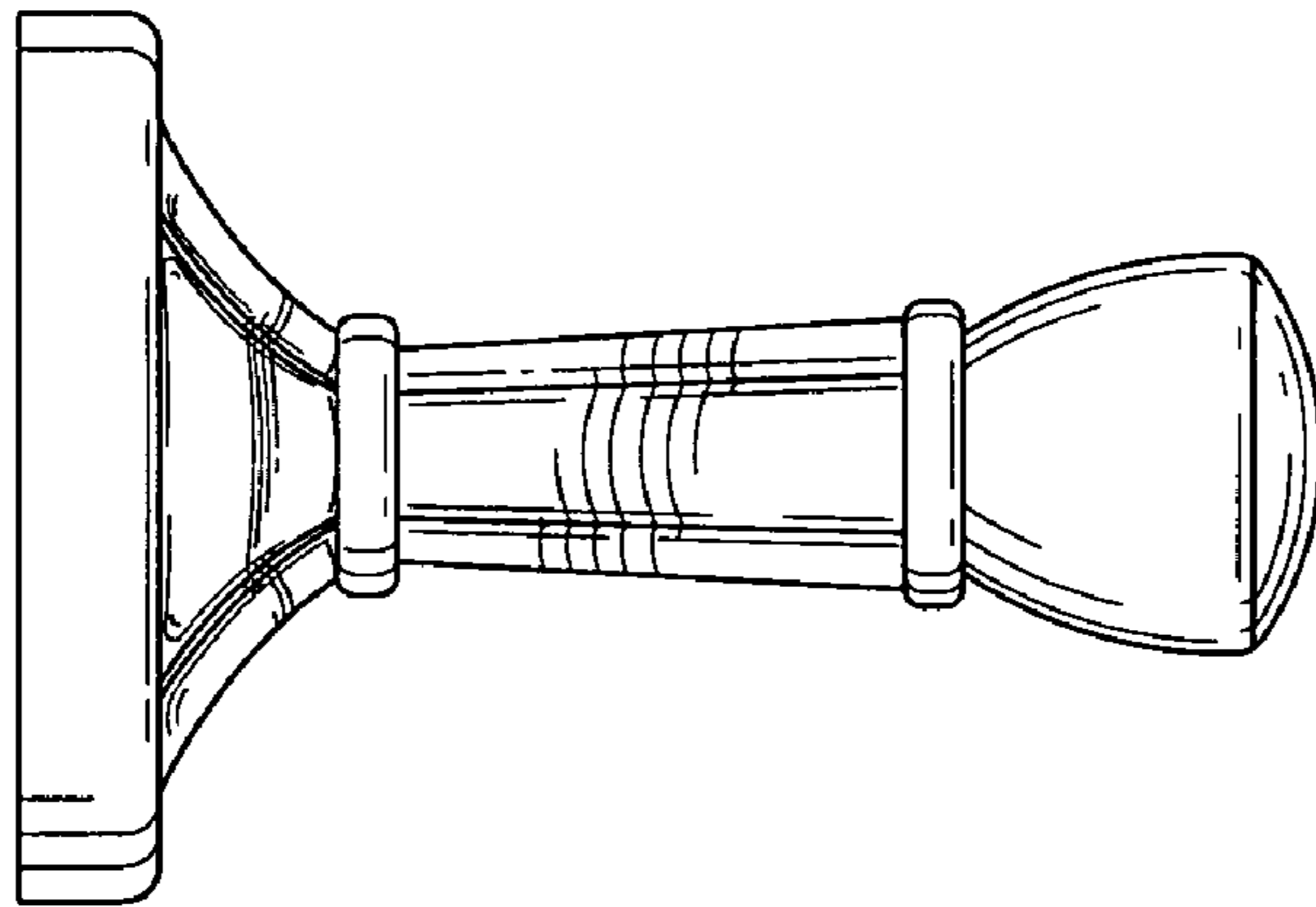


Fig-2

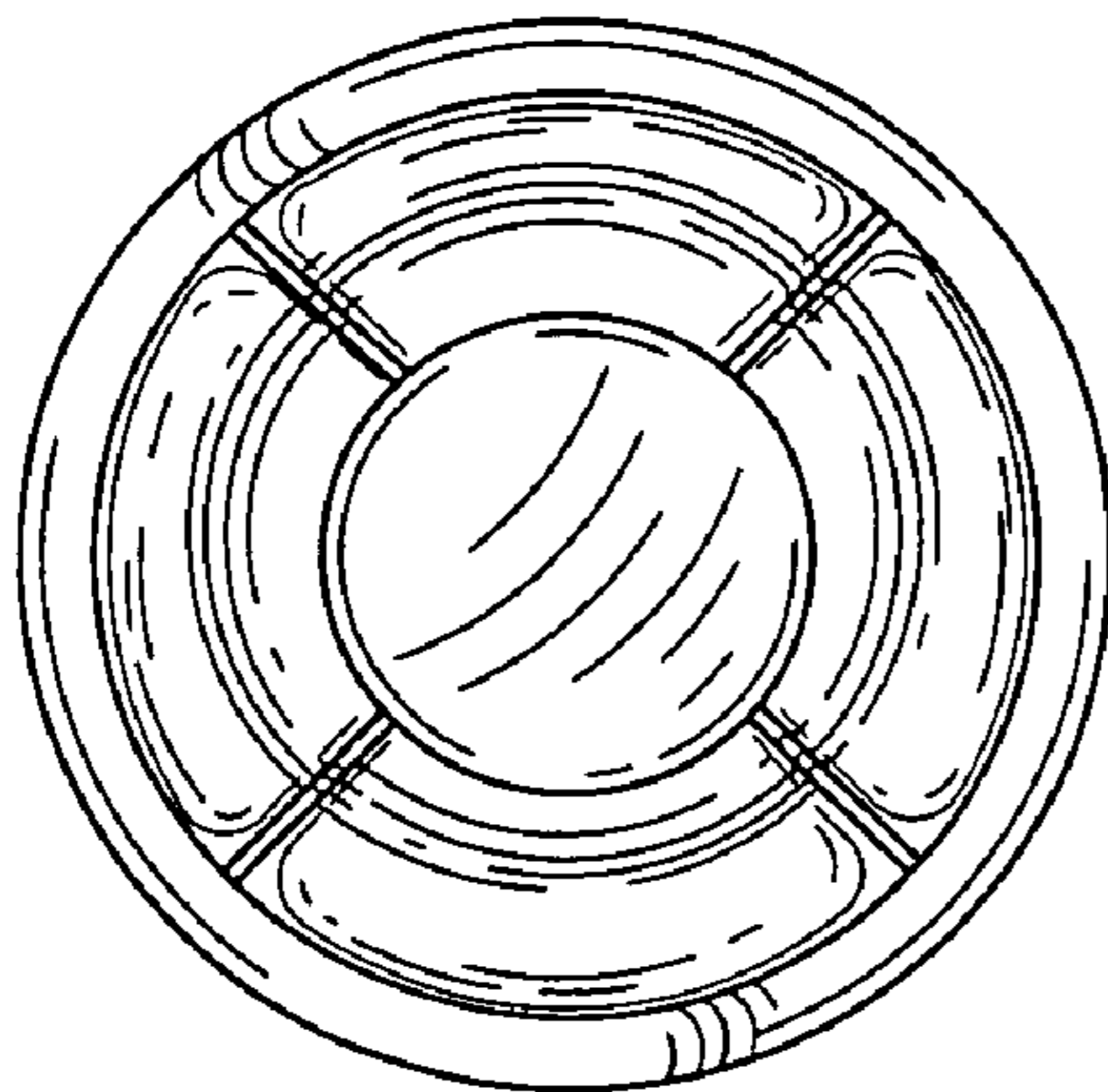


Fig-3