

US00D606789S

(12) **United States Design Patent**
Krumpe

(10) **Patent No.:** **US D606,789 S**

(45) **Date of Patent:** **** *Dec. 29, 2009**

(54) **TISSUE HOLDER**

(75) Inventor: **Geraint Krumpe**, Chicago, IL (US)

(73) Assignee: **Liberty Hardware Mfg. Corp.**,
Winston-Salem, NC (US)

(*) Notice: This patent is subject to a terminal disclaimer.

(**) Term: **14 Years**

(21) Appl. No.: **29/330,871**

(22) Filed: **Jan. 15, 2009**

(51) **LOC (9) Cl.** **23-02**

(52) **U.S. Cl.** **D6/523**

(58) **Field of Classification Search** D6/518-524,
D6/546-550; D8/300, 370, 315; 108/28-29;
211/13.1, 16, 85.5, 86.01, 87.01, 88.04, 100,
211/105.1, 105.2, 106, 113, 123, 181.1, 182-183;
248/49, 175, 176.1, 200, 201, 205.1, 251,
248/302, 309.1, 315; 242/570, 590, 595-598
See application file for complete search history.

(56) **References Cited**

U.S. PATENT DOCUMENTS

- D334,315 S * 3/1993 Bengtson D6/524
- D361,006 S * 8/1995 Sharpe D6/524
- D449,952 S * 11/2001 Lyndon D6/549

- D454,744 S * 3/2002 Ou-Young D6/550
- D455,034 S * 4/2002 Ou-Young D6/524
- D492,530 S * 7/2004 Chen D6/549
- D503,061 S * 3/2005 Fuchs D6/549
- D516,850 S * 3/2006 Shieh D6/549
- D540,086 S * 4/2007 Kirar D6/549
- D540,599 S * 4/2007 Krumpe et al. D6/549
- D551,001 S * 9/2007 Pipe D6/524
- D552,903 S * 10/2007 Bitterman D6/524
- D574,652 S * 8/2008 Zhang D6/549

* cited by examiner

Primary Examiner—Brian N Vinson

(74) *Attorney, Agent, or Firm*—Edgar A. Zarins; Nirav D. Parikh

(57) **CLAIM**

The ornamental design for a tissue holder, as shown and described.

DESCRIPTION

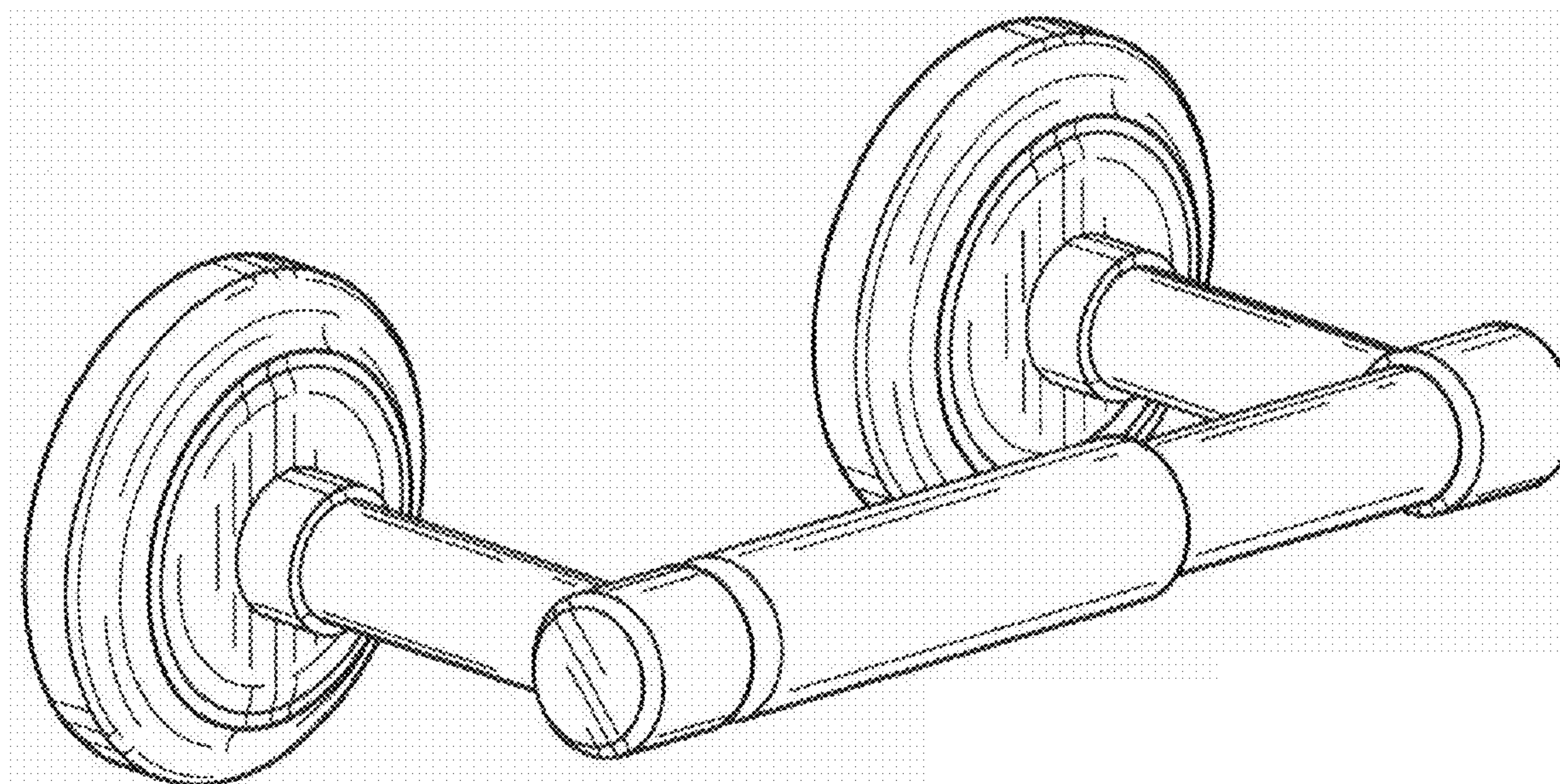
FIG. 1 is a perspective view of a tissue holder showing my new design;

FIG. 2 is a right end view thereof, the opposite end being a mirror image of the end shown;

FIG. 3 is a front elevational view thereof; and,

FIG. 4 is a top plan view thereof, the opposite side being a mirror image of the side shown.

1 Claim, 1 Drawing Sheet



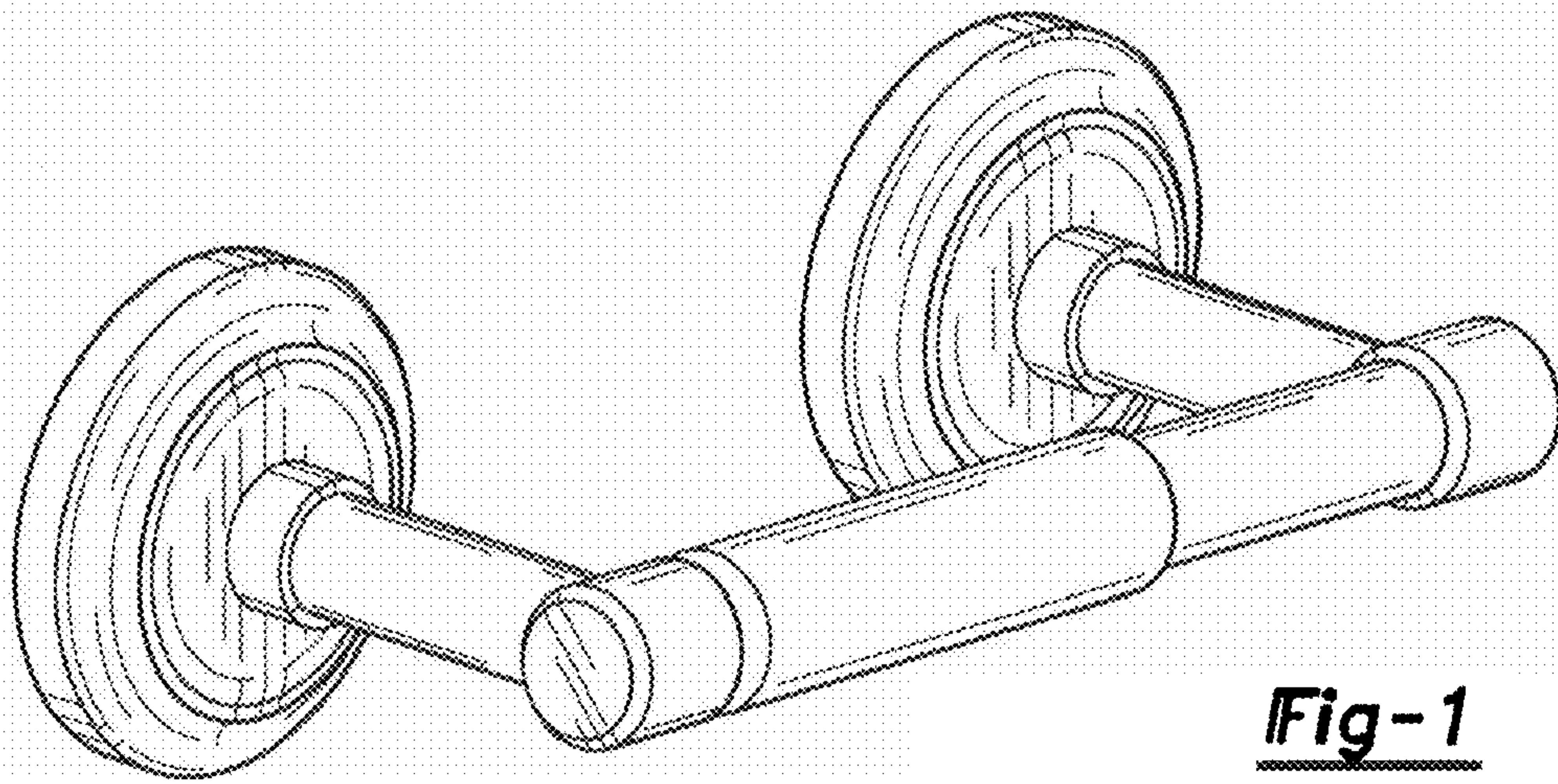


Fig-1

Fig-2

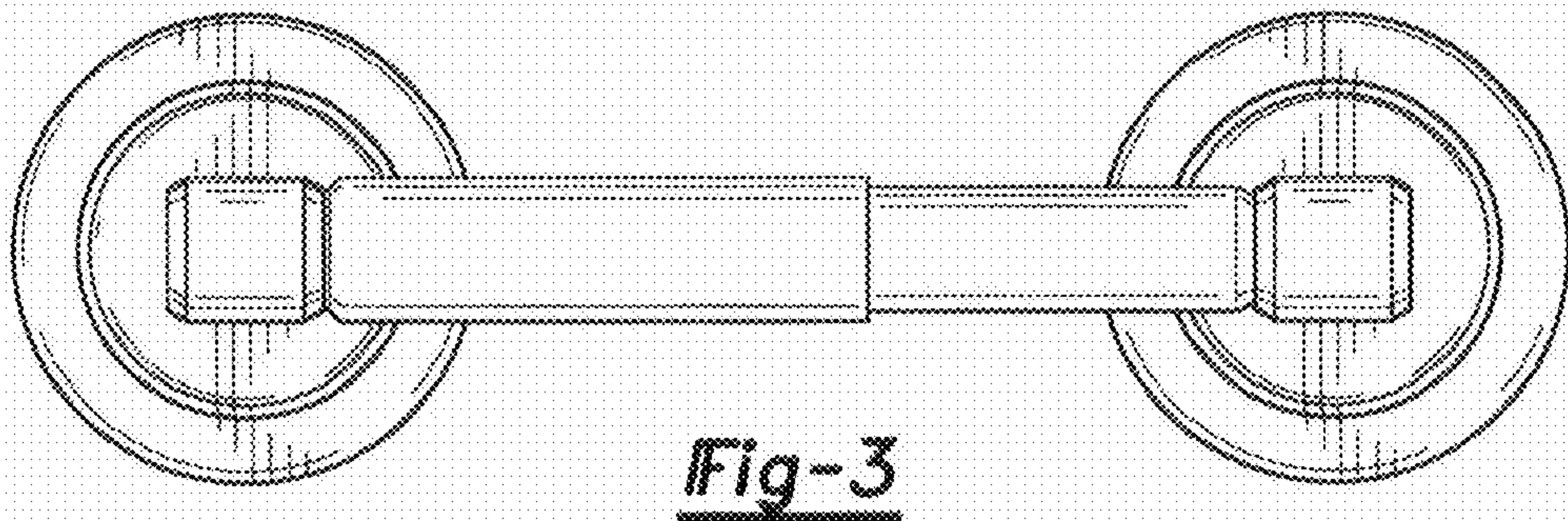
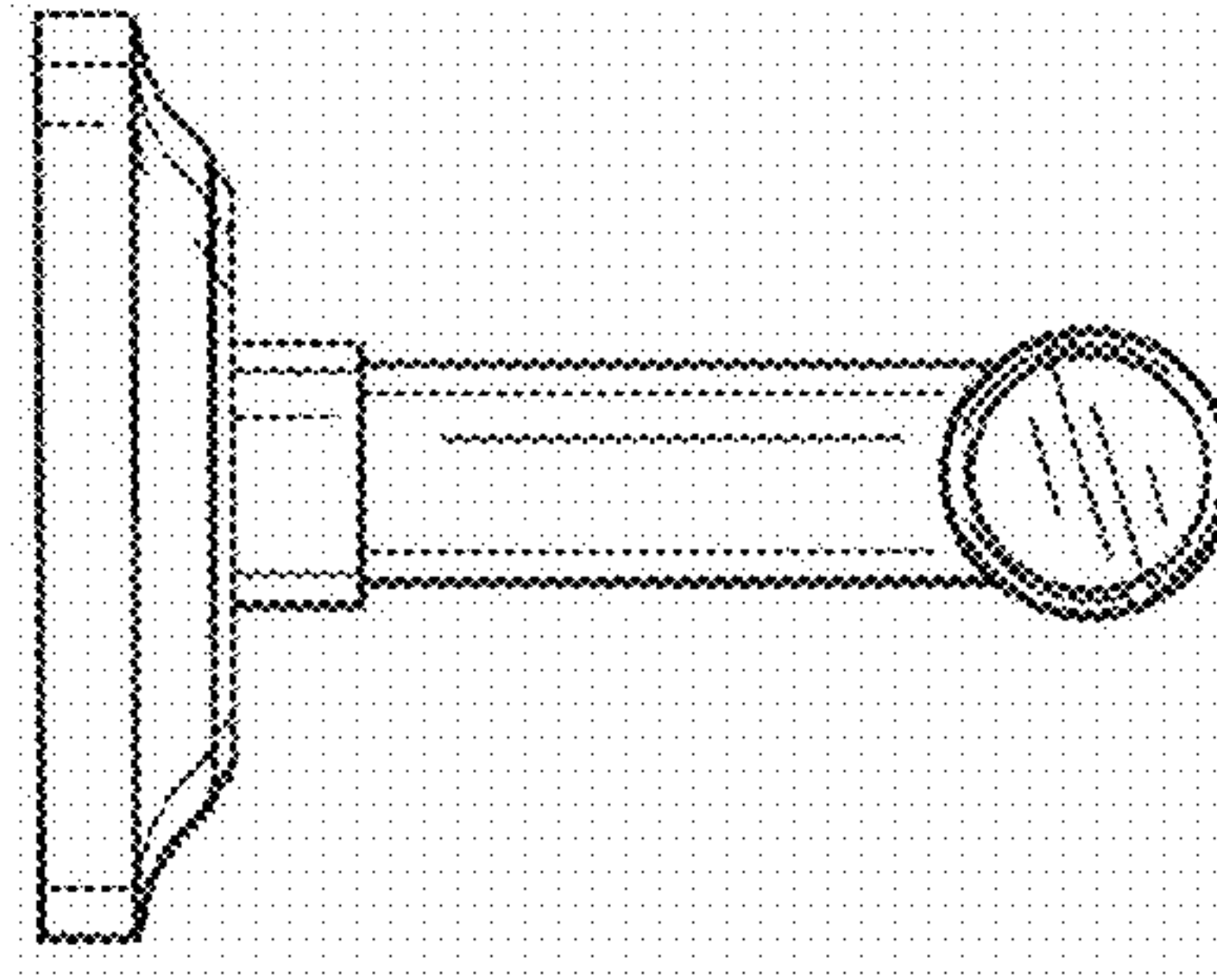


Fig-3

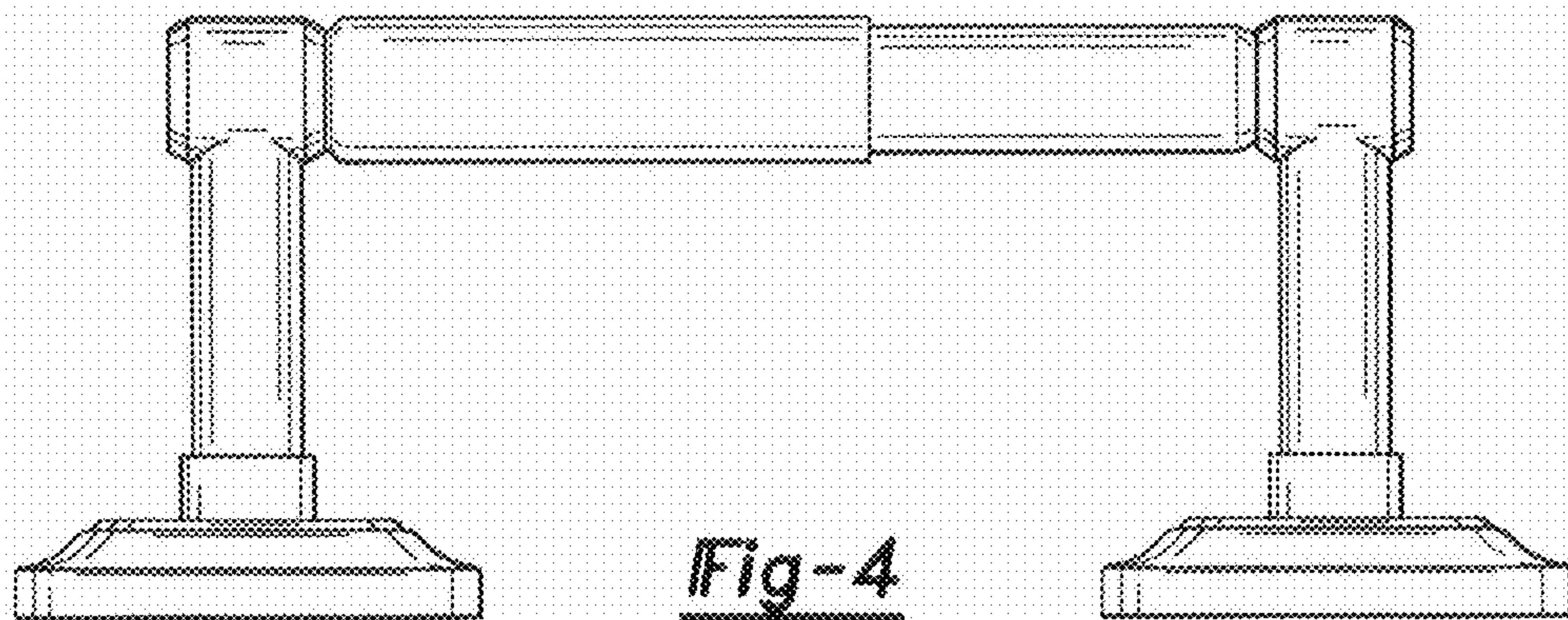


Fig-4