



US00D606788S

(12) **United States Design Patent**
Goldberg

(10) **Patent No.:** **US D606,788 S**

(45) **Date of Patent:** **** Dec. 29, 2009**

(54) **SHOP DESK WITH HUTCH**

(75) Inventor: **Mark A. Goldberg**, Lido Beach, NY
(US)

(73) Assignee: **Global Equipment Company Inc.**, Port
Washington, NY (US)

(**) Term: **14 Years**

(21) Appl. No.: **29/336,198**

(22) Filed: **Apr. 29, 2009**

Related U.S. Application Data

(63) Continuation of application No. 11/360,228, filed on
Feb. 23, 2006.

(51) **LOC (9) Cl.** **06-06**

(52) **U.S. Cl.** **D6/511; D6/426**

(58) **Field of Classification Search** D6/510,
D6/511, 420-426, 491; 312/194-196, 330.1;
108/50.01, 50.02, 60

See application file for complete search history.

(56) **References Cited**

U.S. PATENT DOCUMENTS

| | | | |
|--------------|---------|-------------------|----------|
| 688,104 A | 12/1901 | Lohrman | |
| D121,622 S | 7/1940 | Bojesen | D6/420 |
| D128,791 S | 8/1941 | Ullery | D6/426 |
| D133,524 S | 8/1942 | Bergen | D6/425 |
| D157,078 S | 1/1950 | Nemes | |
| D161,959 S | 2/1951 | Park | D6/397 |
| 2,903,316 A | 9/1959 | Schmidt | |
| D188,200 S | 6/1960 | Swarts et al. | D6/511 |
| 3,588,210 A | 6/1971 | Des Marias et al. | 312/196 |
| D239,350 S | 3/1976 | Vogt | D6/426 |
| D247,866 S | 5/1978 | Sandoval | D6/503 |
| 4,418,967 A | 12/1983 | Winkelman et al. | 312/107 |
| D294,440 S | 3/1988 | Werner | D6/422 |
| 4,870,630 A | 9/1989 | Blake | |
| 4,905,609 A | 3/1990 | Haskins | |
| D311,292 S | 10/1990 | Ennis, Jr. | D6/510 |
| D318,961 S * | 8/1991 | Edelson | D6/406.4 |
| D335,591 S | 5/1993 | Lechman | D6/426 |

| | | | |
|--------------|---------|----------|--------|
| D351,079 S * | 10/1994 | Brown | D6/510 |
| D472,399 S | 4/2003 | Casteel | D6/425 |
| 6,840,180 B2 | 1/2005 | Ulmer | |
| D534,750 S | 1/2007 | Emerson | D6/510 |
| D588,850 S | 3/2009 | Goldberg | D6/511 |

FOREIGN PATENT DOCUMENTS

JP 404005910 A 1/1992

OTHER PUBLICATIONS

Jacobs Gardner, 1999, p. 44, workstation hutch, right and 2nd from
bottom.

* cited by examiner

Primary Examiner—Janice E Seeger

(74) *Attorney, Agent, or Firm*—Davidoff Malito & Hutcher
LLP

(57) **CLAIM**

The ornamental design for a shop desk with hutch, as shown
and described.

DESCRIPTION

FIG. 1 is an isometric view of a shop desk with hutch, with the
hutch in an upside down orientation on an underside of the
shop desk.

FIG. 2 is an isometric view of the shop desk with hutch of
FIG. 1, that is horizontally rotated 90° from the angle of the
shop desk with hutch shown in FIG. 1.

FIG. 3 is a front view of the shop desk with hutch of FIGS. 1
and 2.

FIG. 4 is a top plan view of the shop desk with hutch of FIGS.
1 and 2.

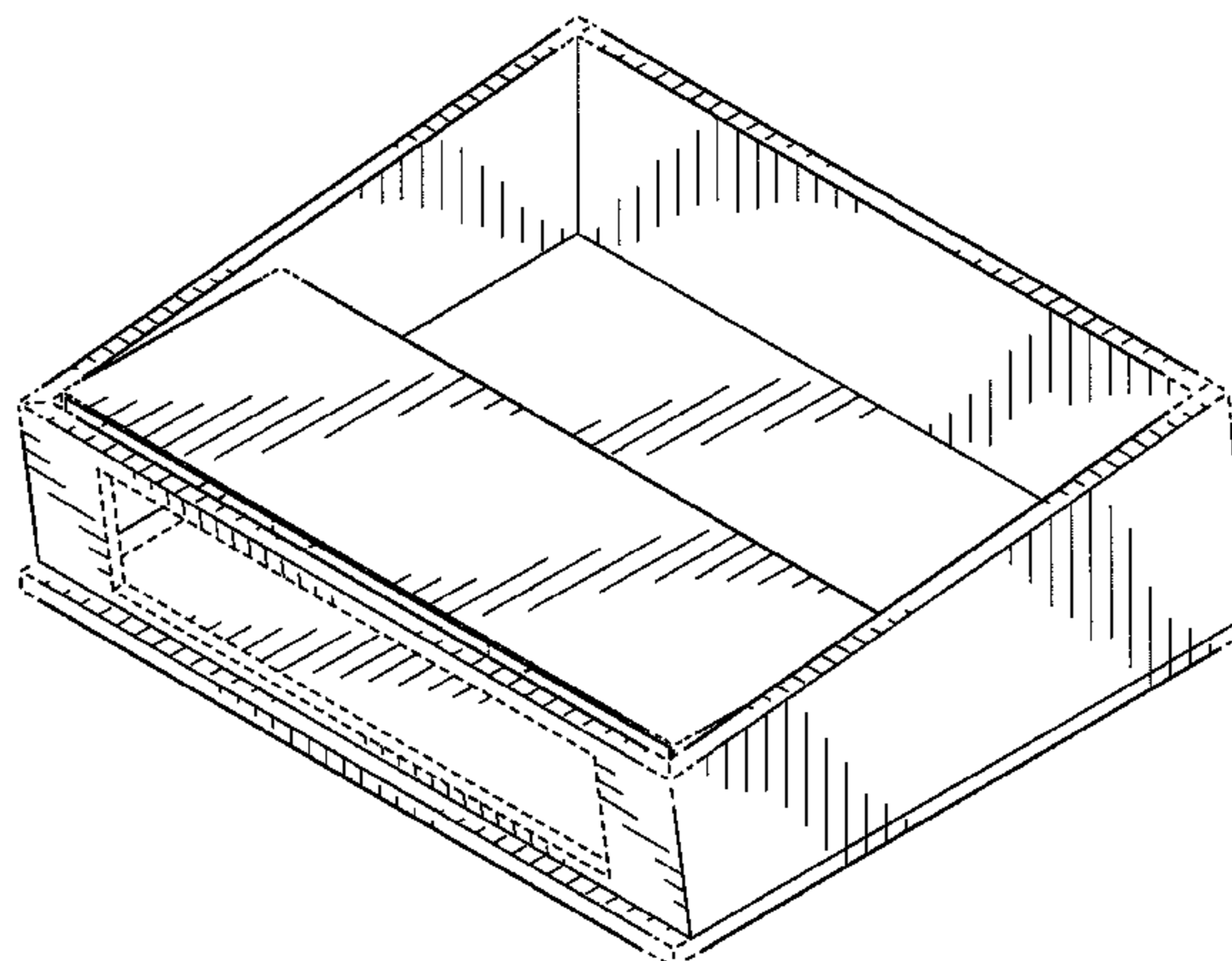
FIG. 5 is a right side view of the shop desk with hutch of
FIGS. 1 and 2 that is symmetric to the left side view thereof.

FIG. 6 is a rear view of the shop desk with hutch of FIGS. 1
and 2; and,

FIG. 7 is a bottom plan view of shop desk with hutch of FIGS.
1 and 2.

The broken lines form no part of the claimed design.

1 Claim, 7 Drawing Sheets



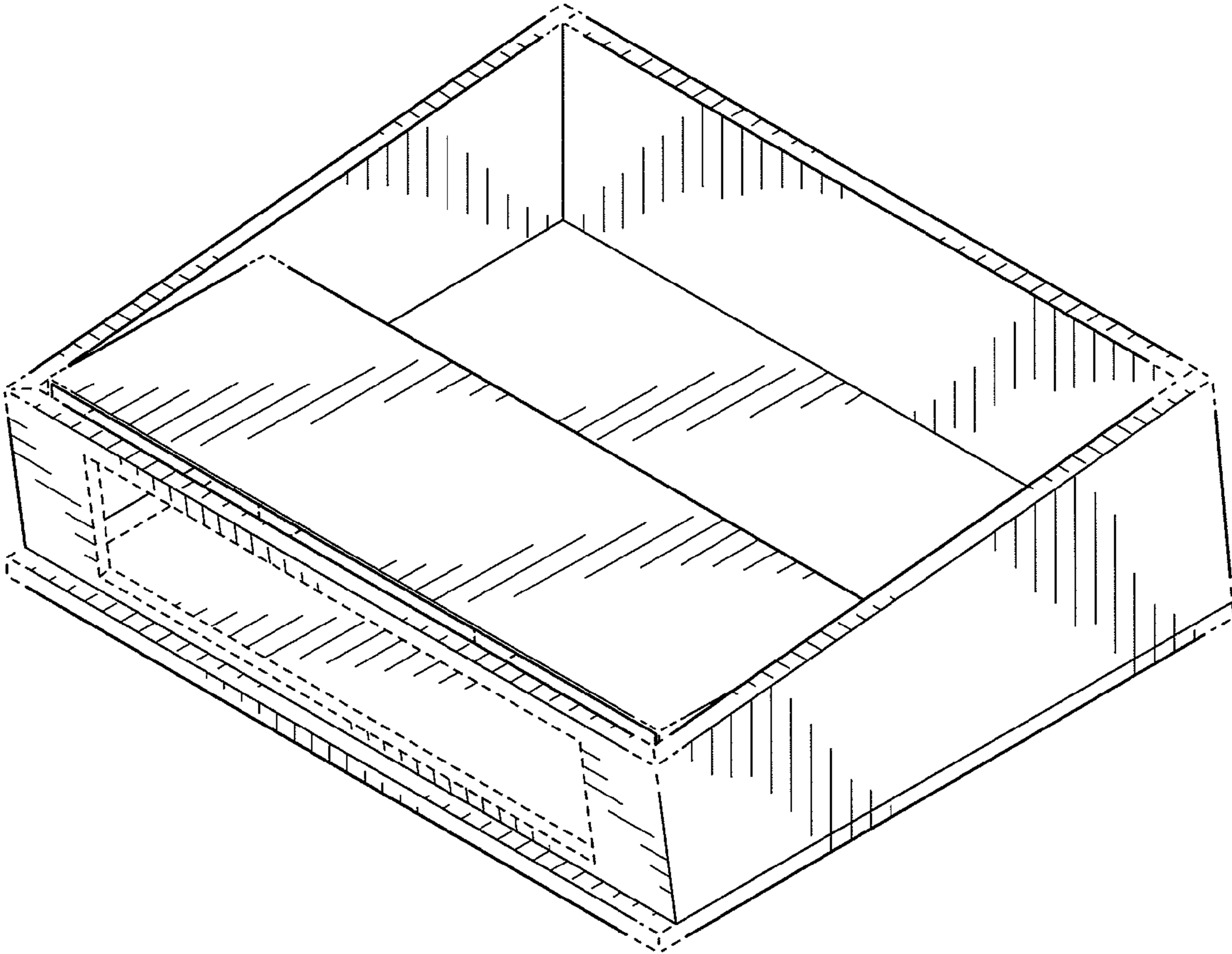


FIG. 1

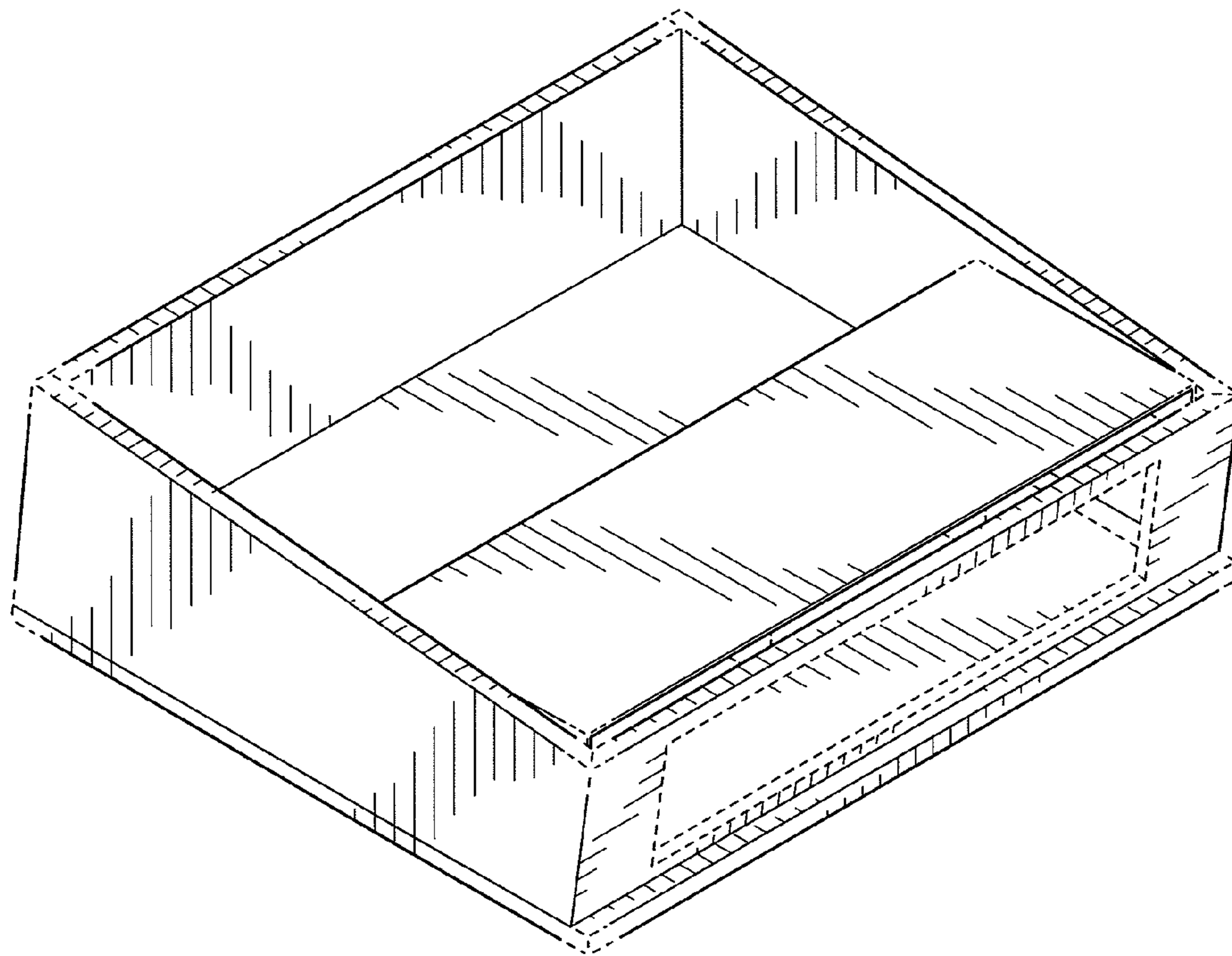


FIG. 2

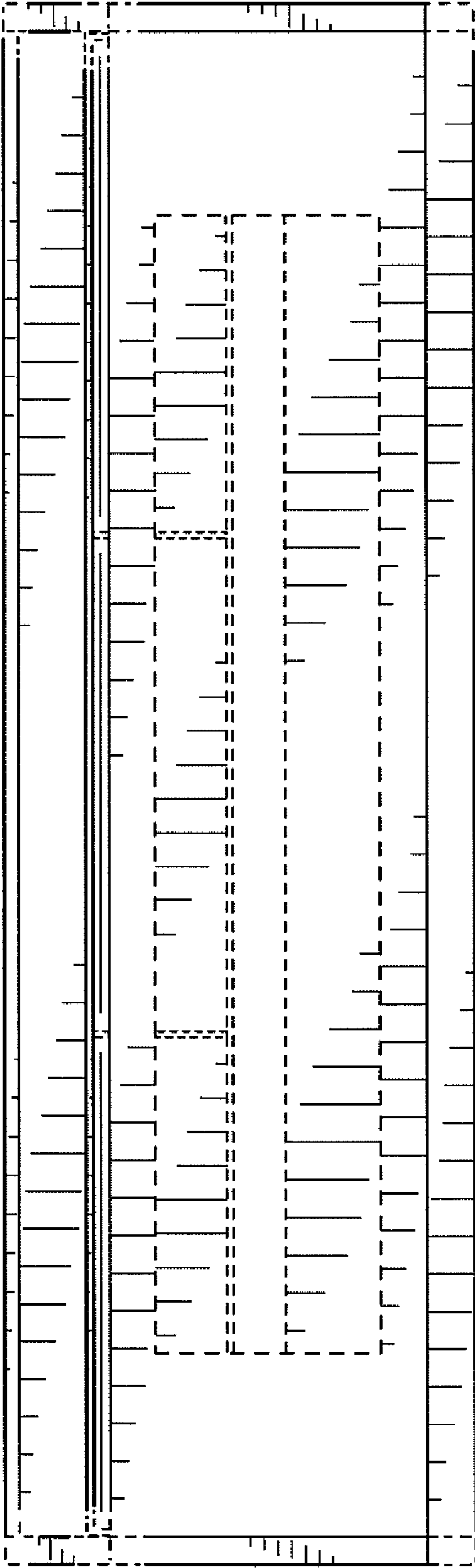


FIG. 3

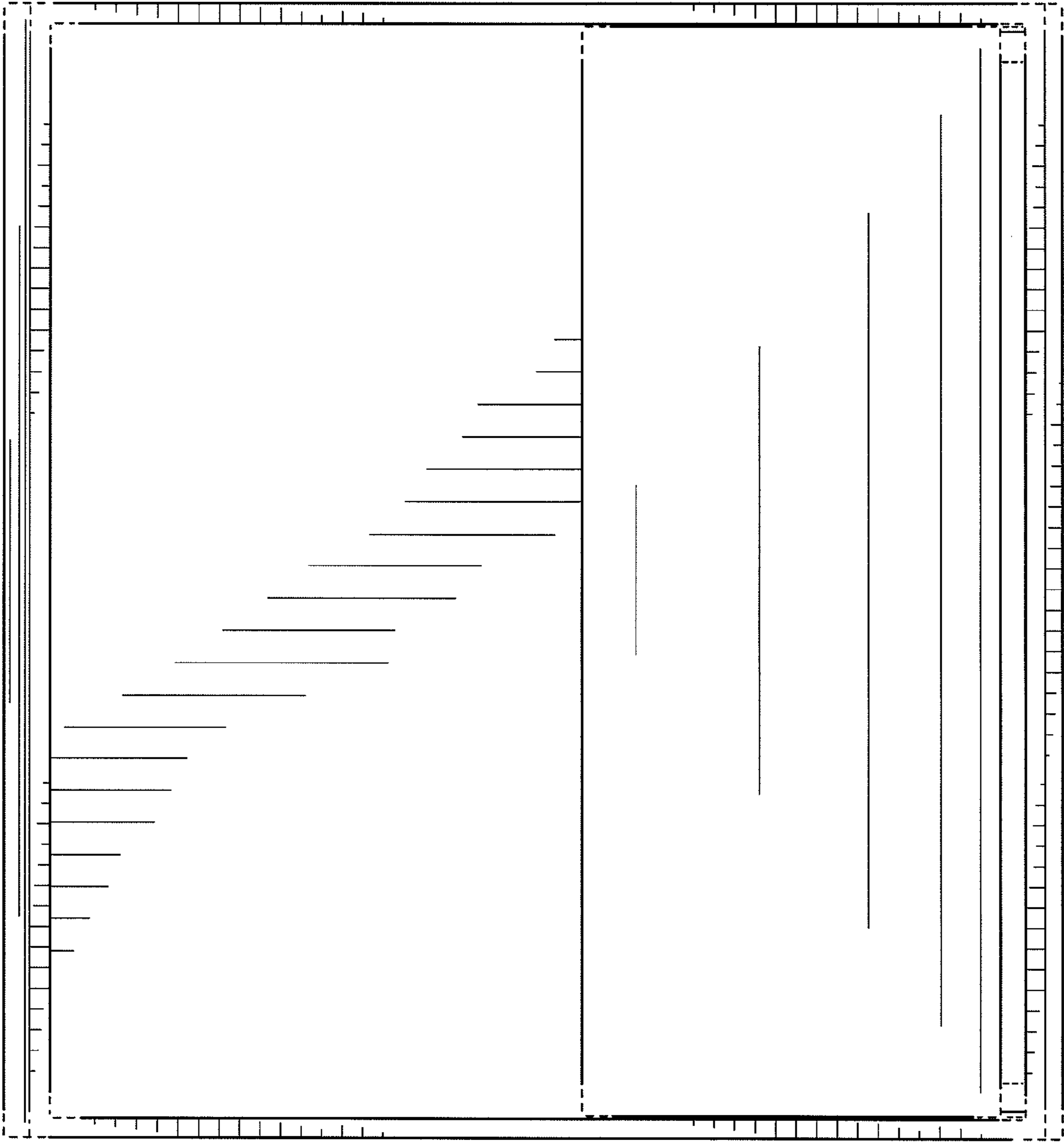


FIG. 4

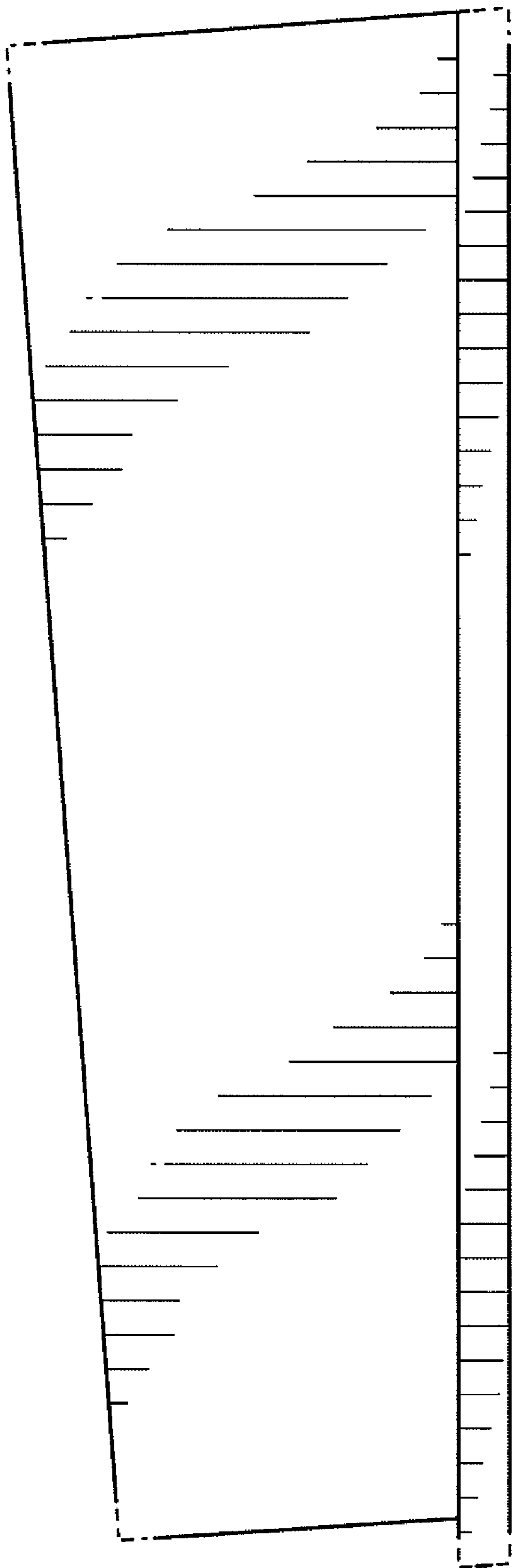


FIG. 5

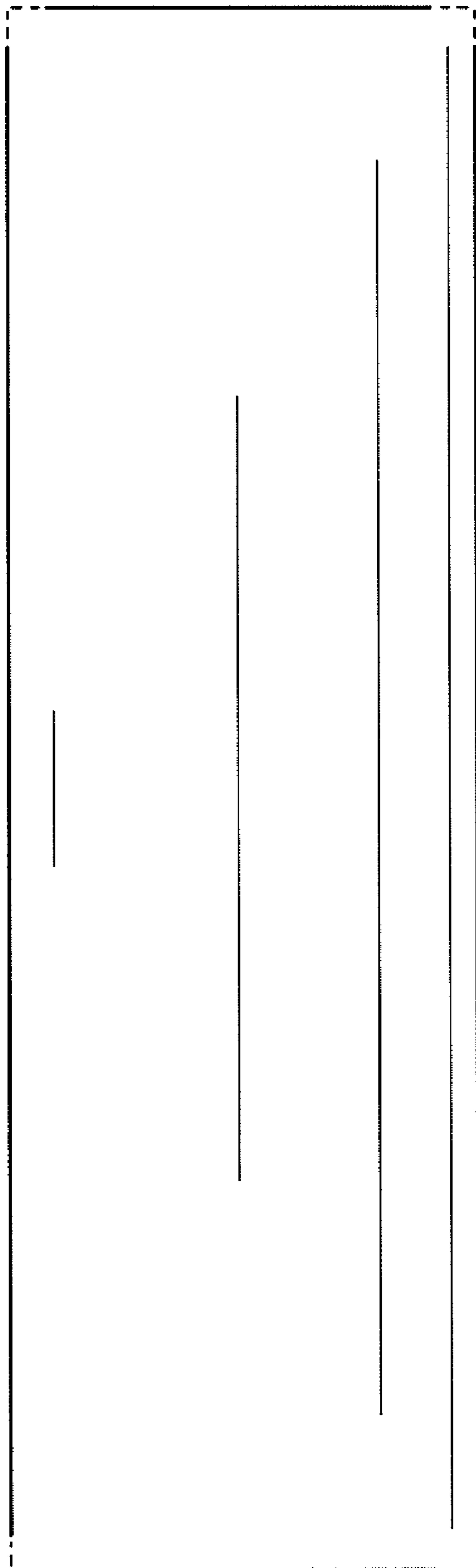


FIG. 6

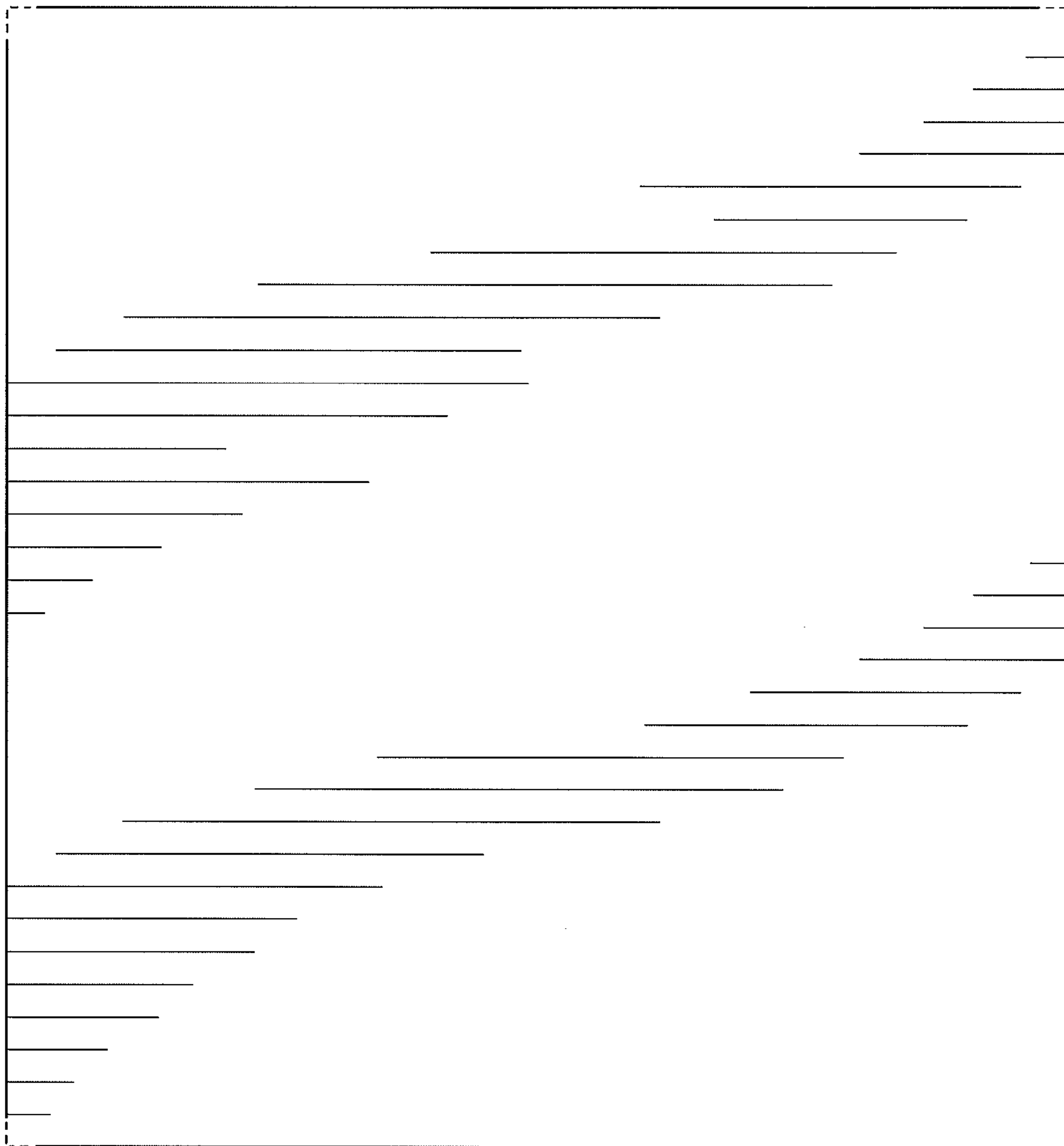


FIG. 7