



US00D606787S

(12) **United States Design Patent**  
**Goldberg**

(10) **Patent No.:** **US D606,787 S**

(45) **Date of Patent:** **\*\* \*Dec. 29, 2009**

(54) **SHOP DESK WITH HUTCH**

4,905,609 A 3/1990 Haskins  
D311,292 S 10/1990 Ennis, Jr. .... D6/510

(75) Inventor: **Mark A. Goldberg**, Lido Beach, NY  
(US)

(Continued)

(73) Assignee: **Global Equipment Company Inc.**, Port  
Washington, NY (US)

FOREIGN PATENT DOCUMENTS

JP 404005910 A 1/1992

(\* ) Notice: This patent is subject to a terminal dis-  
claimer.

OTHER PUBLICATIONS

(\*\*) Term: **14 Years**

Jacobs Gardner, 1999, p. 44, workstation hutch, right and 2nd from  
bottom.

(21) Appl. No.: **29/336,144**

*Primary Examiner*—Janice E Seeger

(22) Filed: **Apr. 29, 2009**

(74) *Attorney, Agent, or Firm*—Davidoff Malito & Hutcher  
LLP

**Related U.S. Application Data**

(57) **CLAIM**

(63) Continuation of application No. 11/360,228, filed on  
Feb. 23, 2006.

The ornamental design for a shop desk with hutch, as shown  
and described.

(51) **LOC (9) Cl.** ..... **06-06**

(52) **U.S. Cl.** ..... **D6/511; D6/426**

(58) **Field of Classification Search** ..... D6/510,  
D6/511, 420-426, 491; 312/194-196, 330.1;  
108/50.01, 50.02, 60

See application file for complete search history.

**DESCRIPTION**

FIG. 1 is an isometric view of a shop desk with hutch, with the  
hutch in an upright reversed orientation on an underside of the  
shop desk.

FIG. 2 is an isometric view of the shop desk with hutch of  
FIG. 1, that is horizontally rotated 90° from the angle of the  
shop desk with hutch shown in FIG. 1.

FIG. 3 is a front view of the shop desk with hutch of FIGS. 1  
and 2.

FIG. 4 is a top plan view of the shop desk with hutch of FIGS.  
1 and 2.

FIG. 5 is a right side view of the shop desk with hutch of  
FIGS. 1 and 2 that is symmetric to the left side view thereof.

FIG. 6 is a rear view of the shop desk with hutch of FIGS. 1  
and 2; and,

FIG. 7 is a bottom plan view of the shop desk with hutch of  
FIGS. 1 and 2.

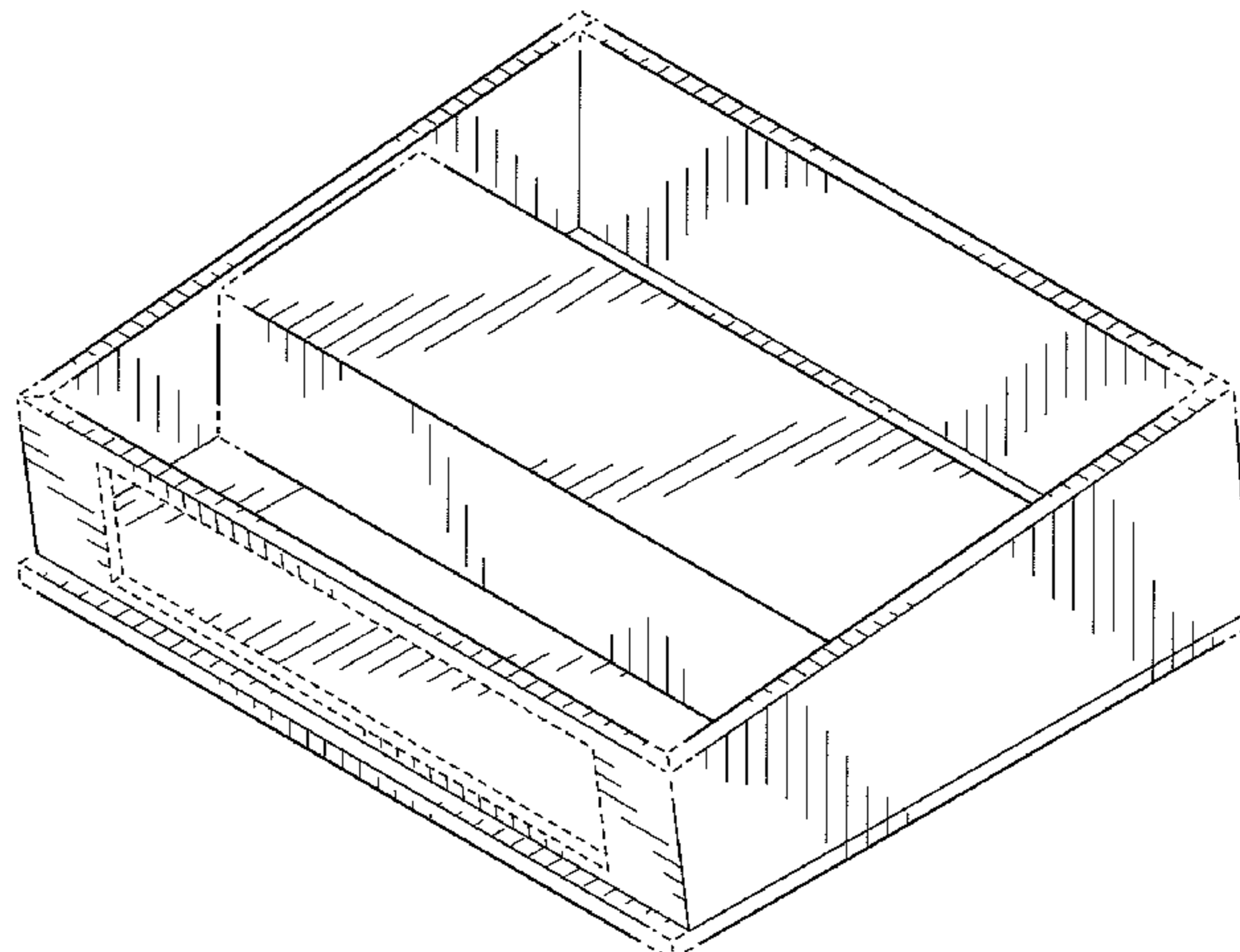
The broken lines form no part of the claimed design.

(56) **References Cited**

U.S. PATENT DOCUMENTS

688,104 A	12/1901	Lohrman	
D121,622 S	7/1940	Bojesen	D6/420
D128,791 S	8/1941	Ullery	D6/426
D133,524 S	8/1942	Bergen	D6/425
D157,078 S	1/1950	Nemes	
D161,959 S	2/1951	Park	D6/397
2,903,316 A	9/1959	Schmidt	
D188,200 S	6/1960	Swarts et al.	D6/511
3,588,210 A	6/1971	Des Marias et al.	312/196
D239,350 S	3/1976	Vogt	D6/426
D247,866 S	5/1978	Sandoval	D6/503
4,418,967 A	12/1983	Winkelman et al.	312/107
D294,440 S	3/1988	Werner	D6/422
4,870,630 A	9/1989	Blake	

**1 Claim, 7 Drawing Sheets**



# US D606,787 S

Page 2

---

U.S. PATENT DOCUMENTS				6,840,180 B2	1/2005	Ulmer		
D318,961 S	*	8/1991	Edelson .....	D6/406.4	D534,750 S	1/2007	Emerson .....	D6/510
D335,591 S		5/1993	Lechman .....	D6/426	D588,850 S	3/2009	Goldberg .....	D6/511
D351,079 S	*	10/1994	Brown .....	D6/510				
D472,399 S		4/2003	Casteel .....	D6/425				

\* cited by examiner

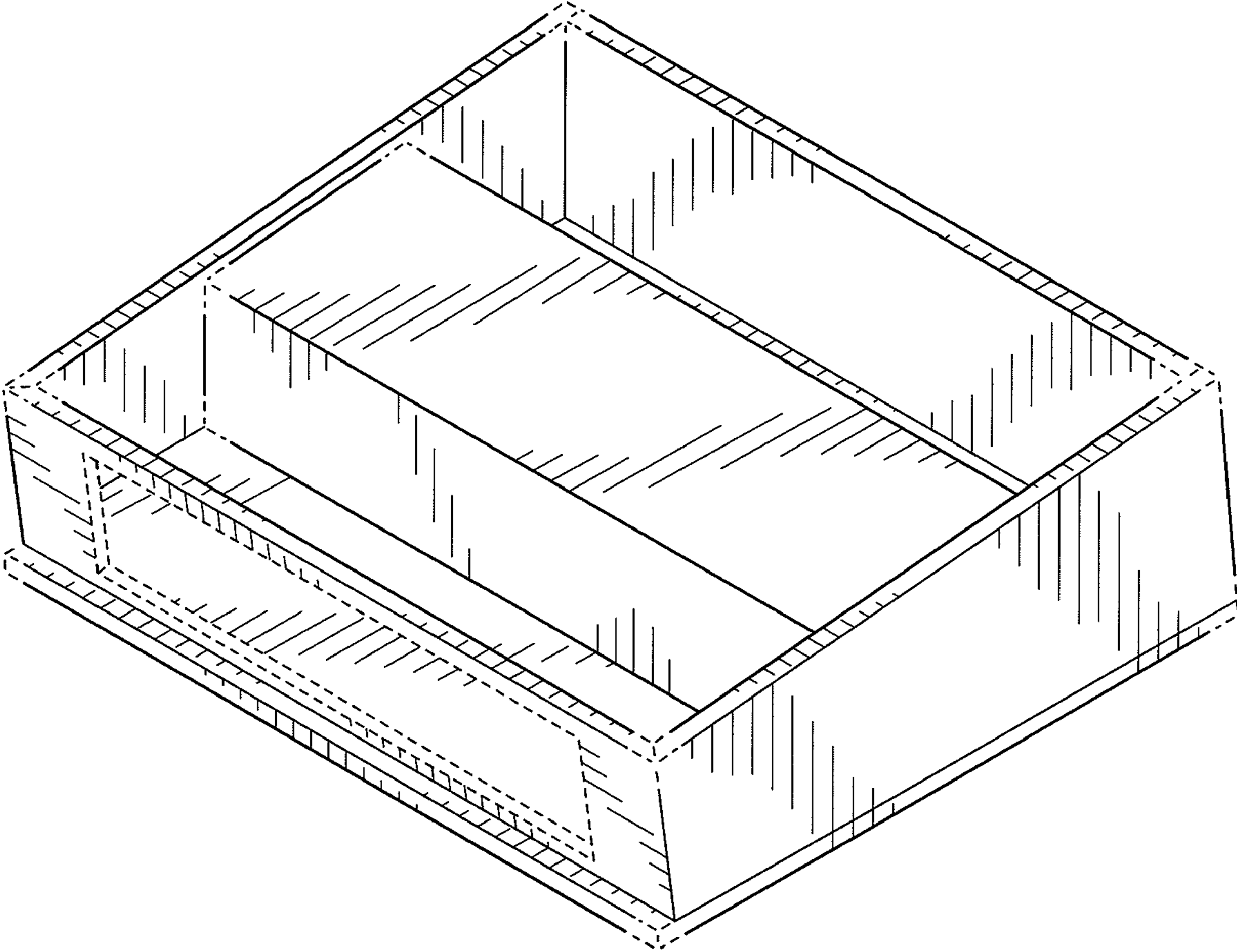


FIG. 1

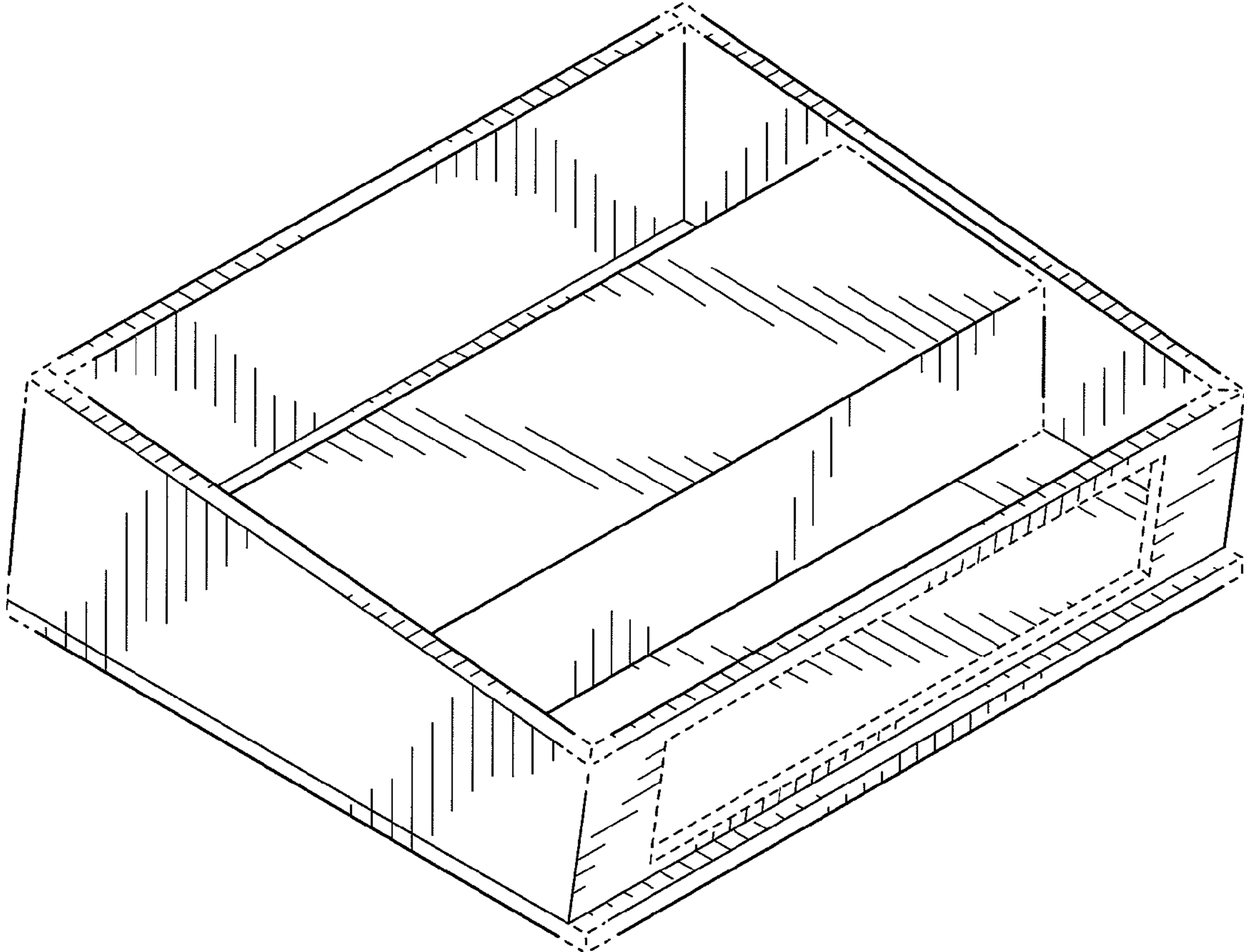


FIG. 2

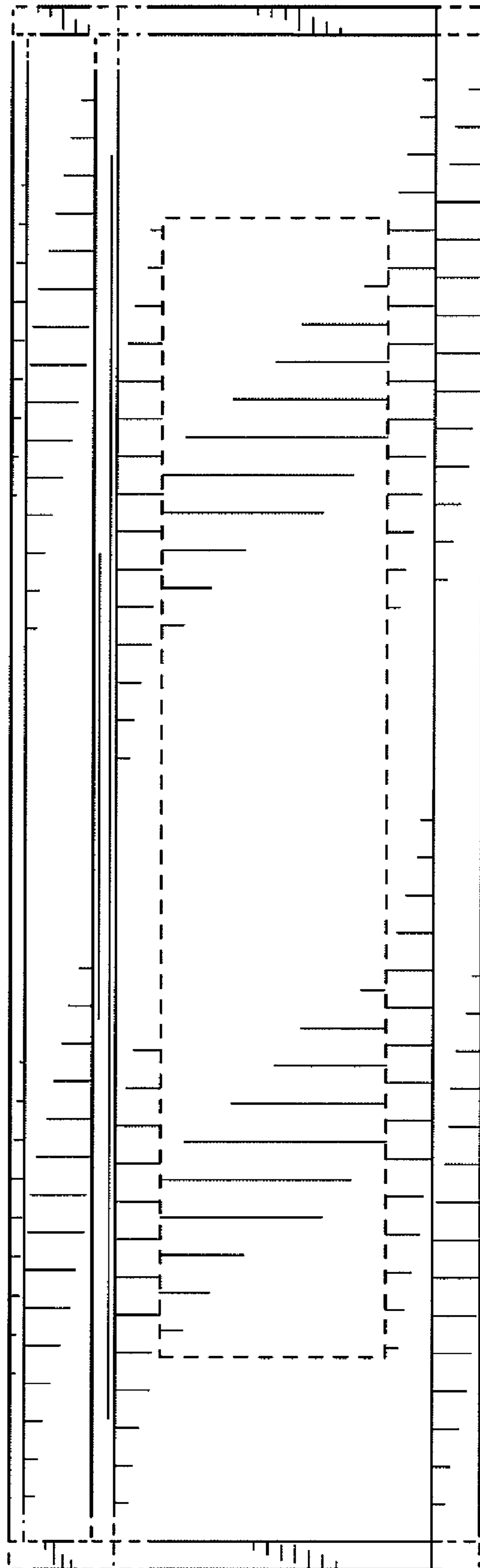


FIG. 3

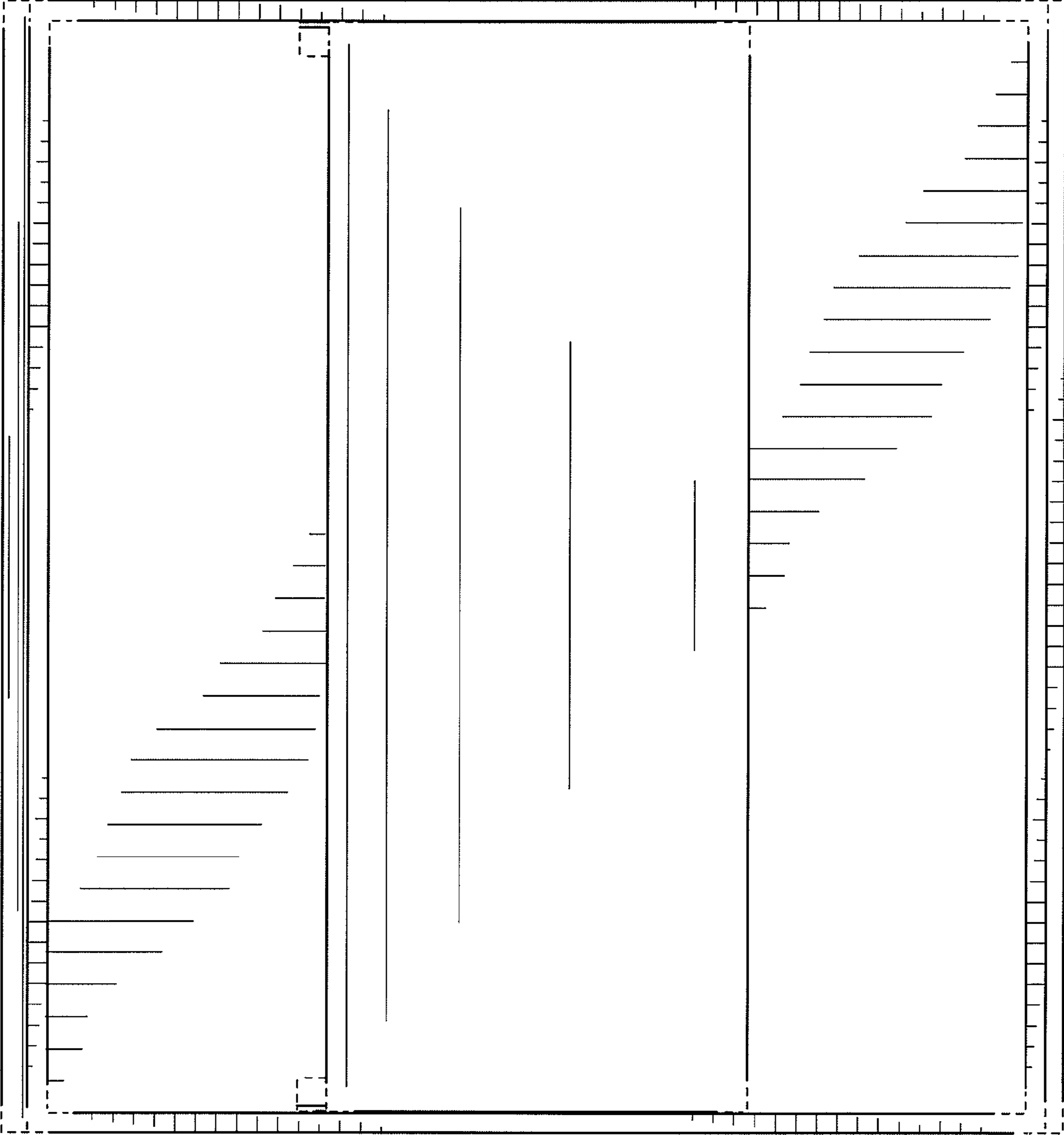


FIG. 4

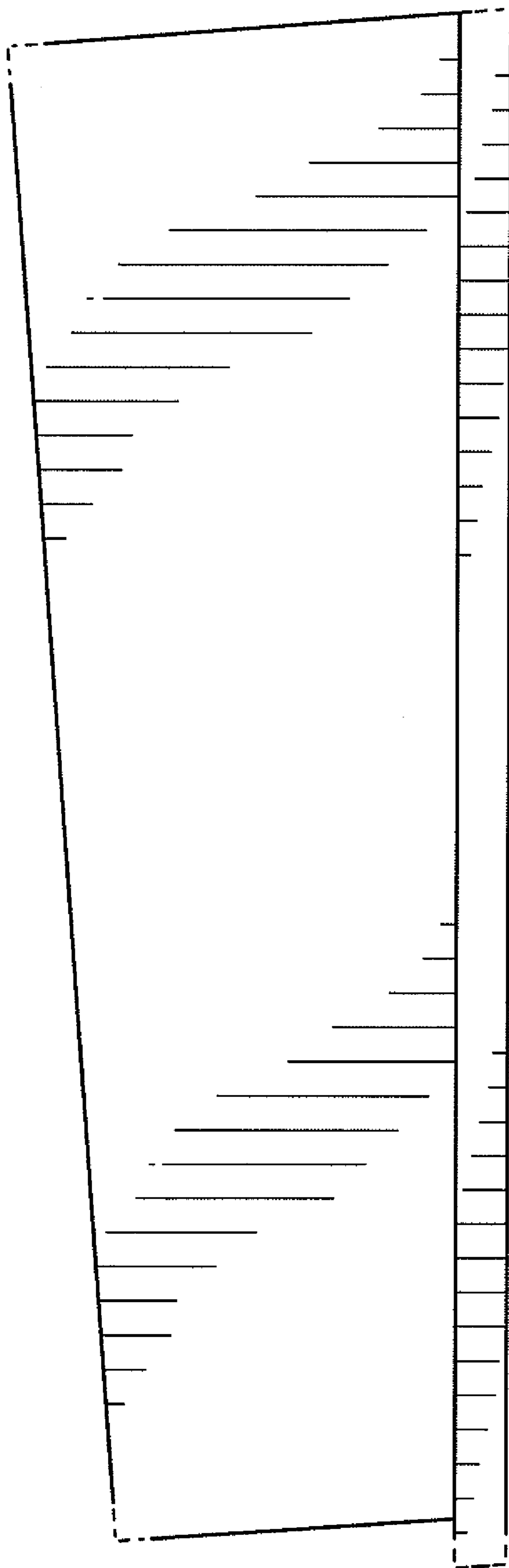


FIG. 5

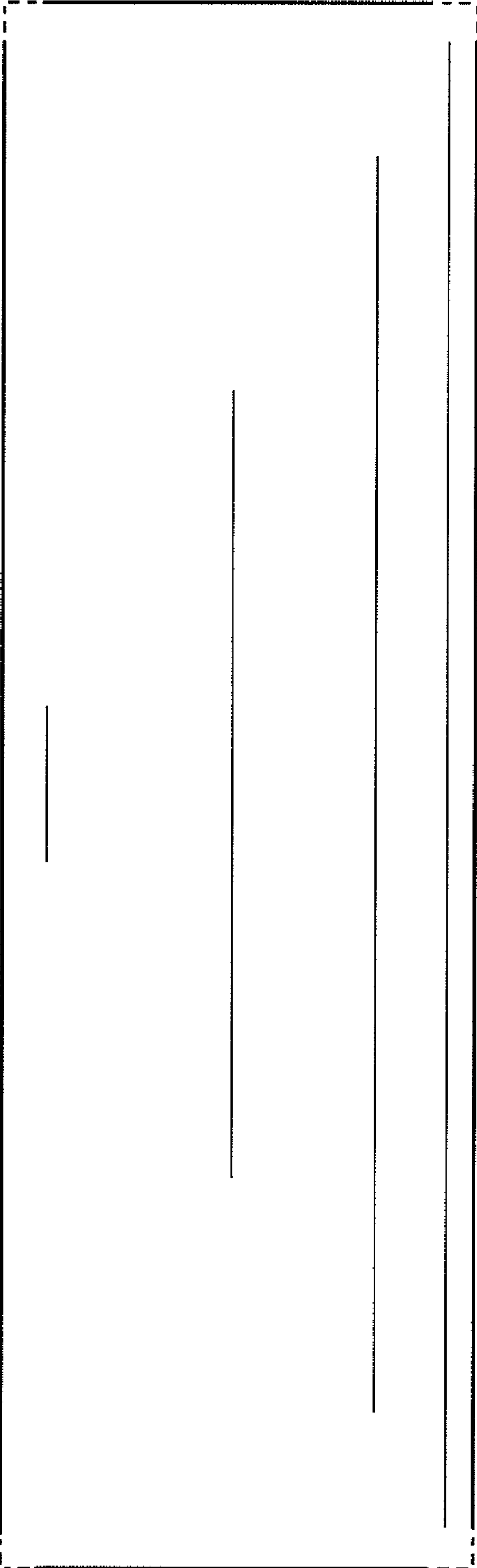


FIG. 6



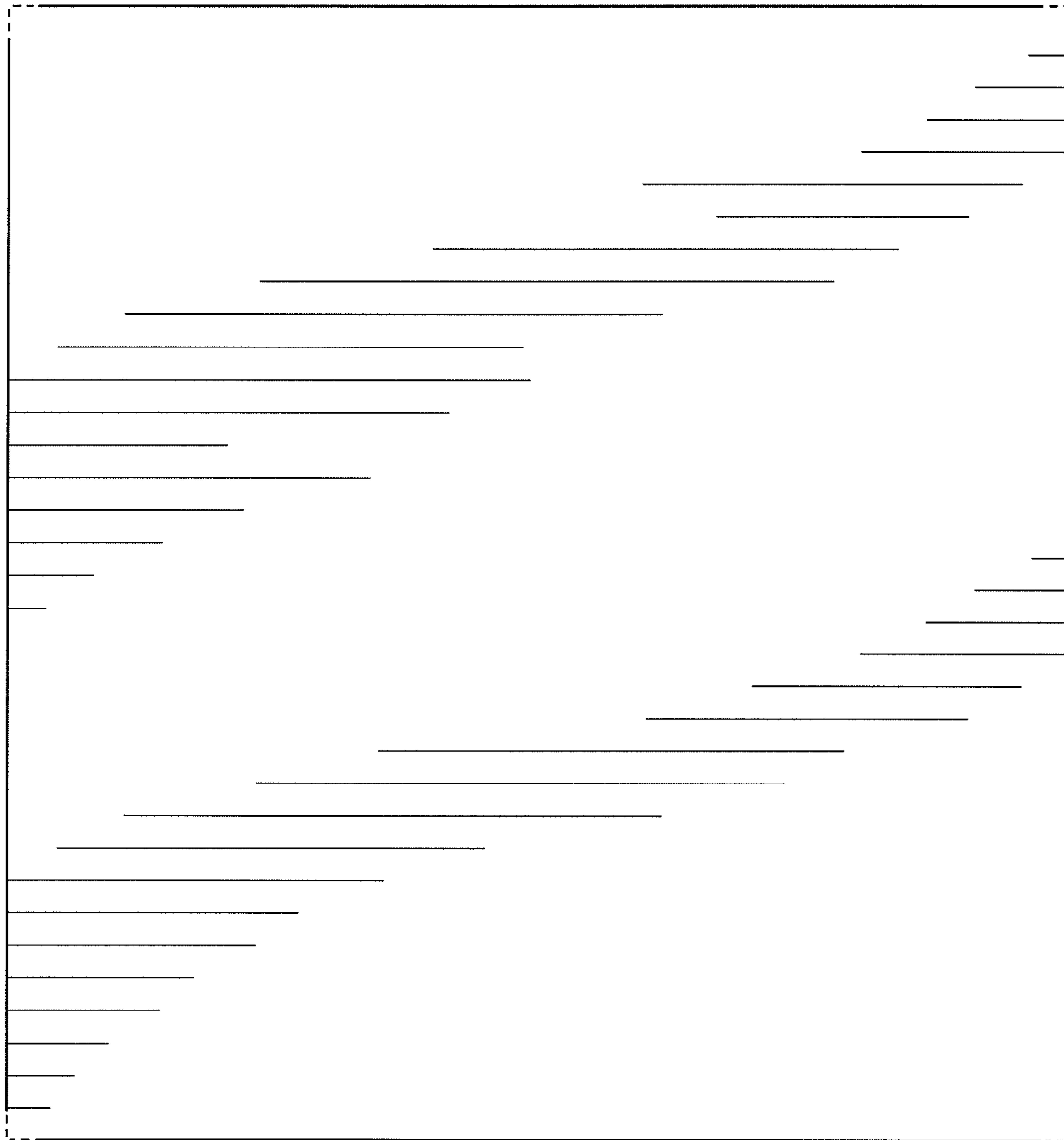


FIG. 7