



US00D606783S

(12) **United States Design Patent**  
**Goldberg**

(10) **Patent No.:** **US D606,783 S**

(45) **Date of Patent:** **\*\* Dec. 29, 2009**

(54) **SHOP DESK WITH HUTCH**

6,840,180 B2 1/2005 Ulmer  
D534,750 S \* 1/2007 Emerson ..... D6/510

(75) Inventor: **Mark A. Goldberg**, Lido Beach, NY  
(US)

FOREIGN PATENT DOCUMENTS

(73) Assignee: **Global Equipment Company Inc.**, Port  
Washington, NY (US)

JP 404005910 A 1/1992

(\*\*) Term: **14 Years**

\* cited by examiner

(21) Appl. No.: **29/333,247**

*Primary Examiner*—Janice E Seeger

(22) Filed: **Mar. 5, 2009**

(74) *Attorney, Agent, or Firm*—Davidoff Malito & Hutcher  
LLP

(57) **CLAIM**

**Related U.S. Application Data**

The ornamental design for a shop desk with hutch, as shown  
and described.

(63) Continuation of application No. 11/360,228, filed on  
Feb. 23, 2006.

**DESCRIPTION**

(51) **LOC (9) Cl.** ..... **06-06**

FIG. 1 is an isometric view of a shop desk with hutch, with the  
hutch in an upright reversed orientation on an underside of the  
shop desk.

(52) **U.S. Cl.** ..... **D6/511; D6/426**

FIG. 2 is an isometric view of the shop desk with hutch of  
FIG. 1, that is horizontally rotated 90° from the angle of the  
shop desk with hutch shown in FIG. 1.

(58) **Field of Classification Search** ..... D6/510,  
D6/511, 420–426, 491; 312/194–196, 330.1;  
108/50.01, 50.02, 60

See application file for complete search history.

FIG. 3 is a front view of the shop desk with hutch of FIGS. 1  
and 2.

(56) **References Cited**

U.S. PATENT DOCUMENTS

688,104 A	12/1901	Lohrman	
D121,622 S *	7/1940	Bojesen	D6/420
D133,524 S *	8/1942	Bargen	D6/425
D157,078 S	1/1950	Nemes	
2,903,316 A	9/1959	Schmidt	
3,588,210 A *	6/1971	Des Marias et al.	312/196
D247,866 S *	5/1978	Sandoval	D6/503
4,870,630 A	9/1989	Blake	
4,905,609 A	3/1990	Haskins	
D311,292 S *	10/1990	Ennis, Jr.	D6/510
D472,399 S *	4/2003	Casteel	D6/425

FIG. 4 is a top plan view of the shop desk with hutch of FIGS.  
1 and 2.

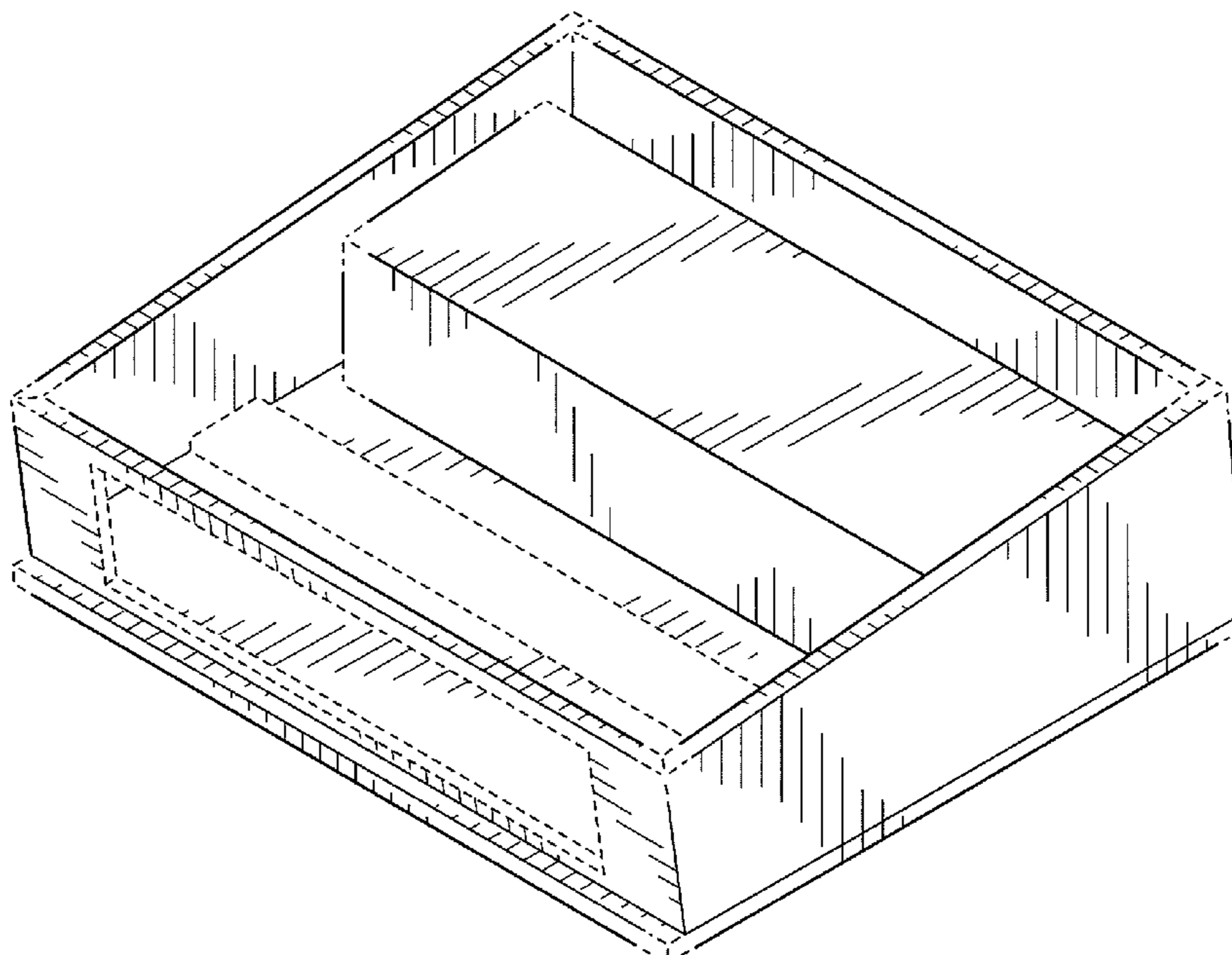
FIG. 5 is a right side view of the shop desk with hutch of  
FIGS. 1 and 2 that is symmetric to the left side view thereof.

FIG. 6 is a rear view of the shop desk with hutch of FIGS. 1  
and 2; and,

FIG. 7 is a bottom plan view of the shop desk with hutch of  
FIGS. 1 and 2.

The broken lines form no part of the claimed design.

**1 Claim, 7 Drawing Sheets**



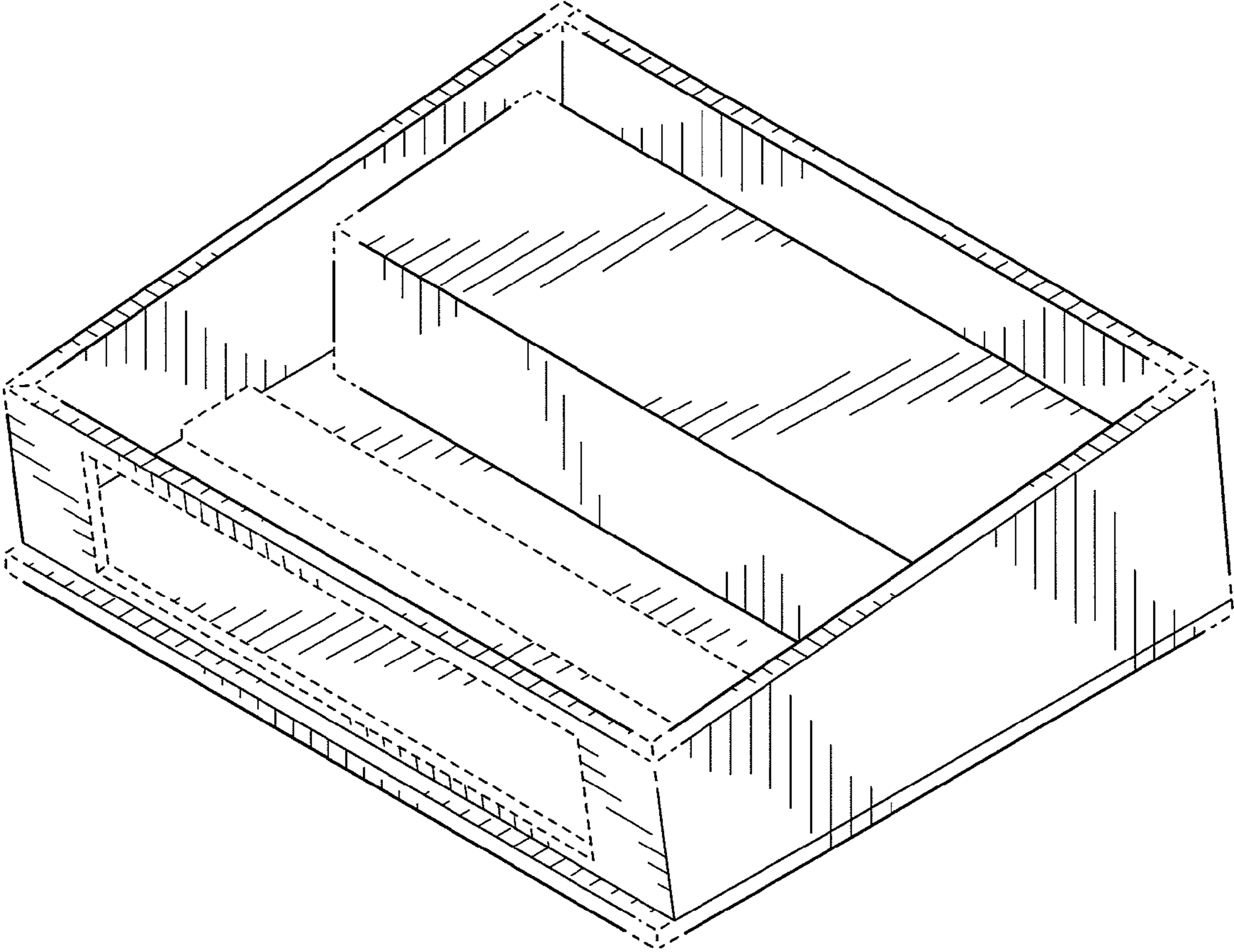


FIG. 1

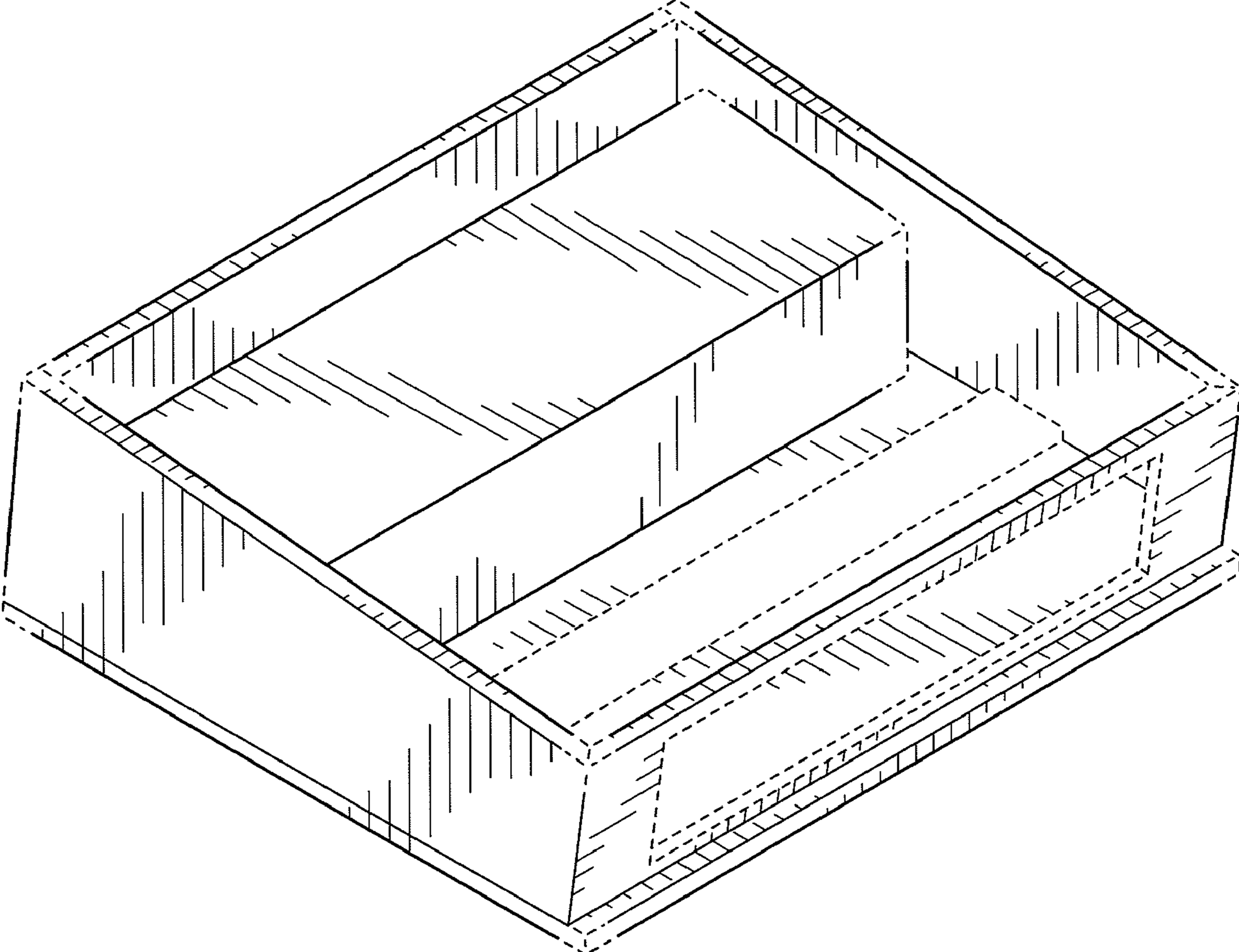


FIG. 2

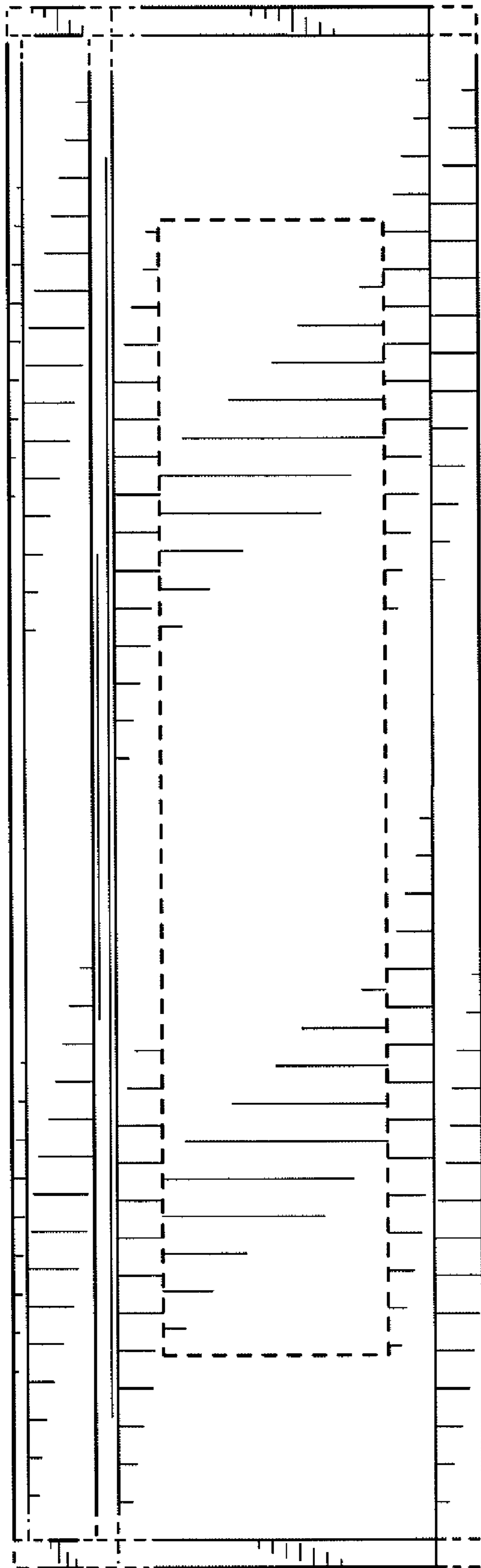


FIG. 3

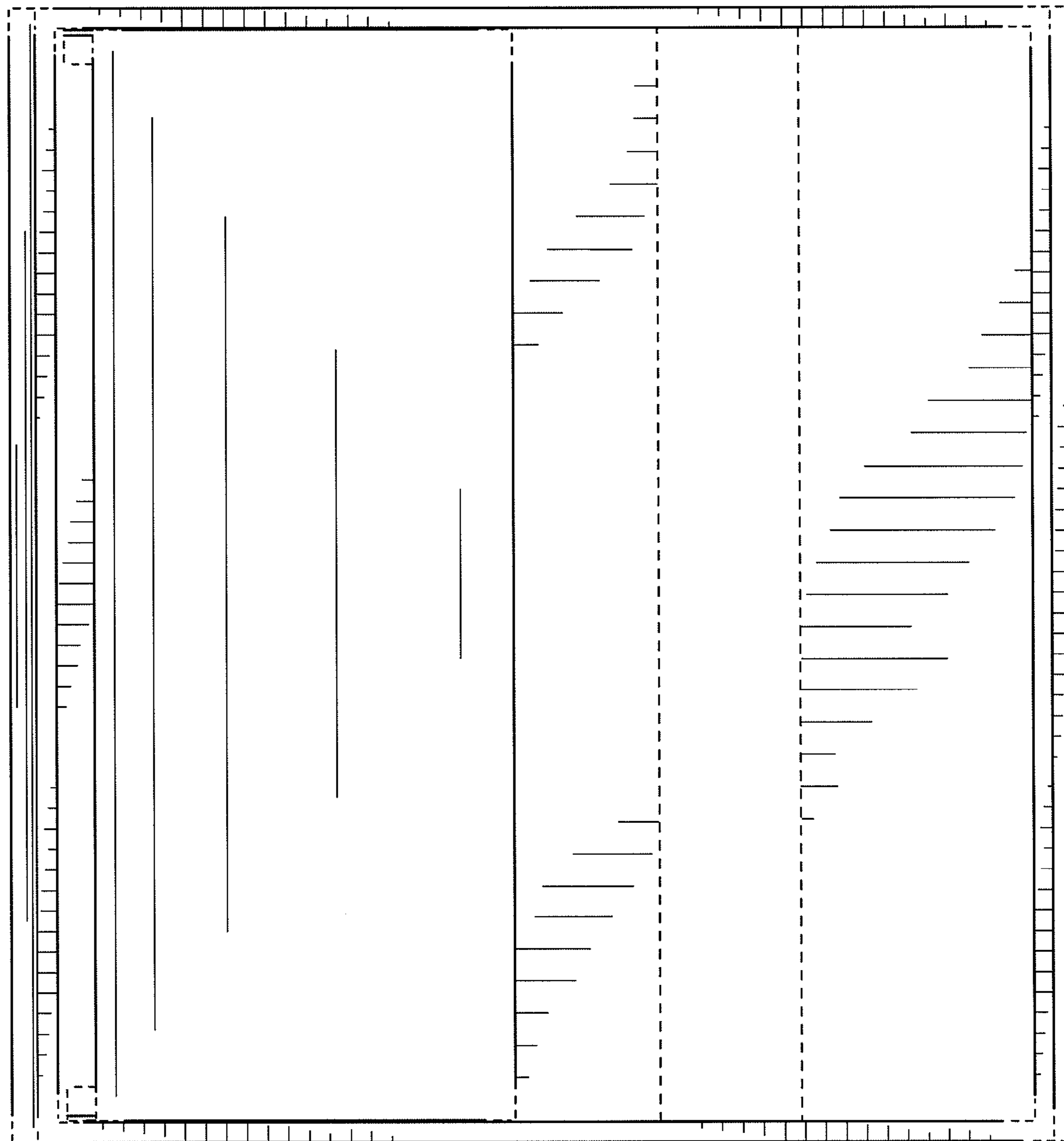


FIG. 4

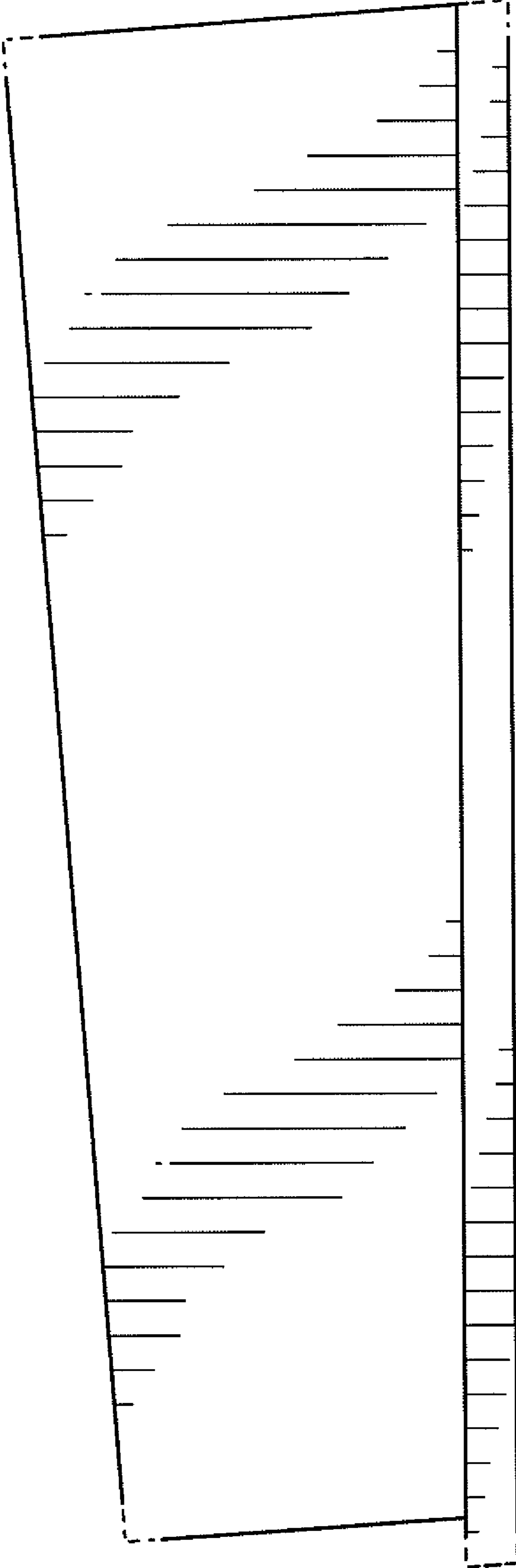


FIG. 5

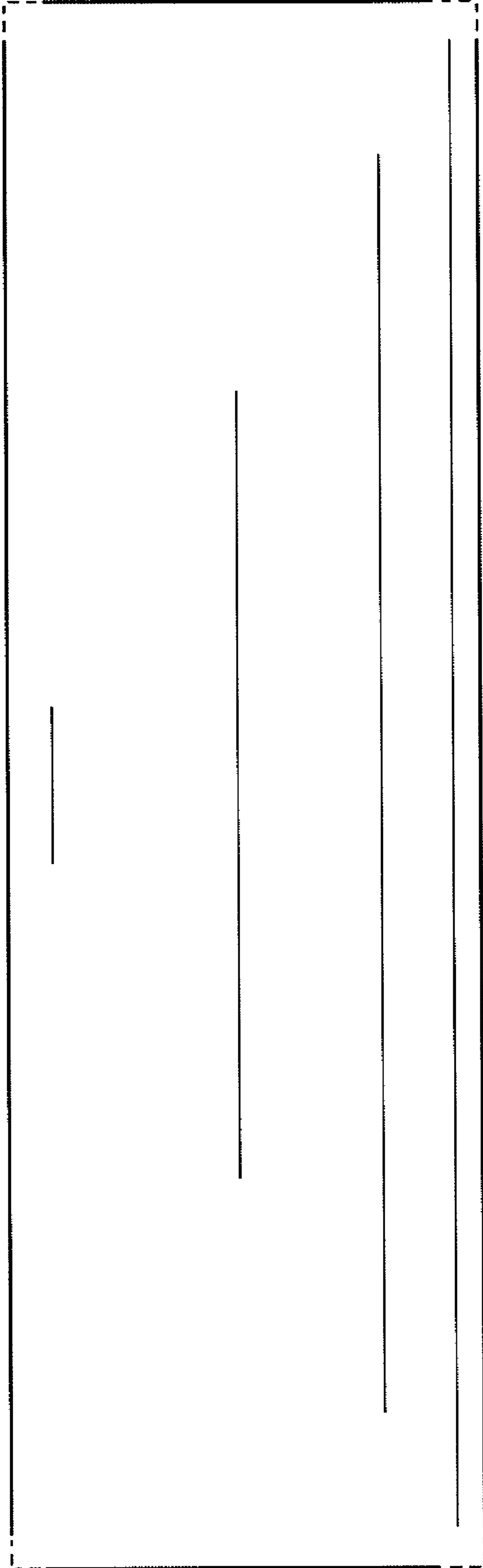


FIG. 6

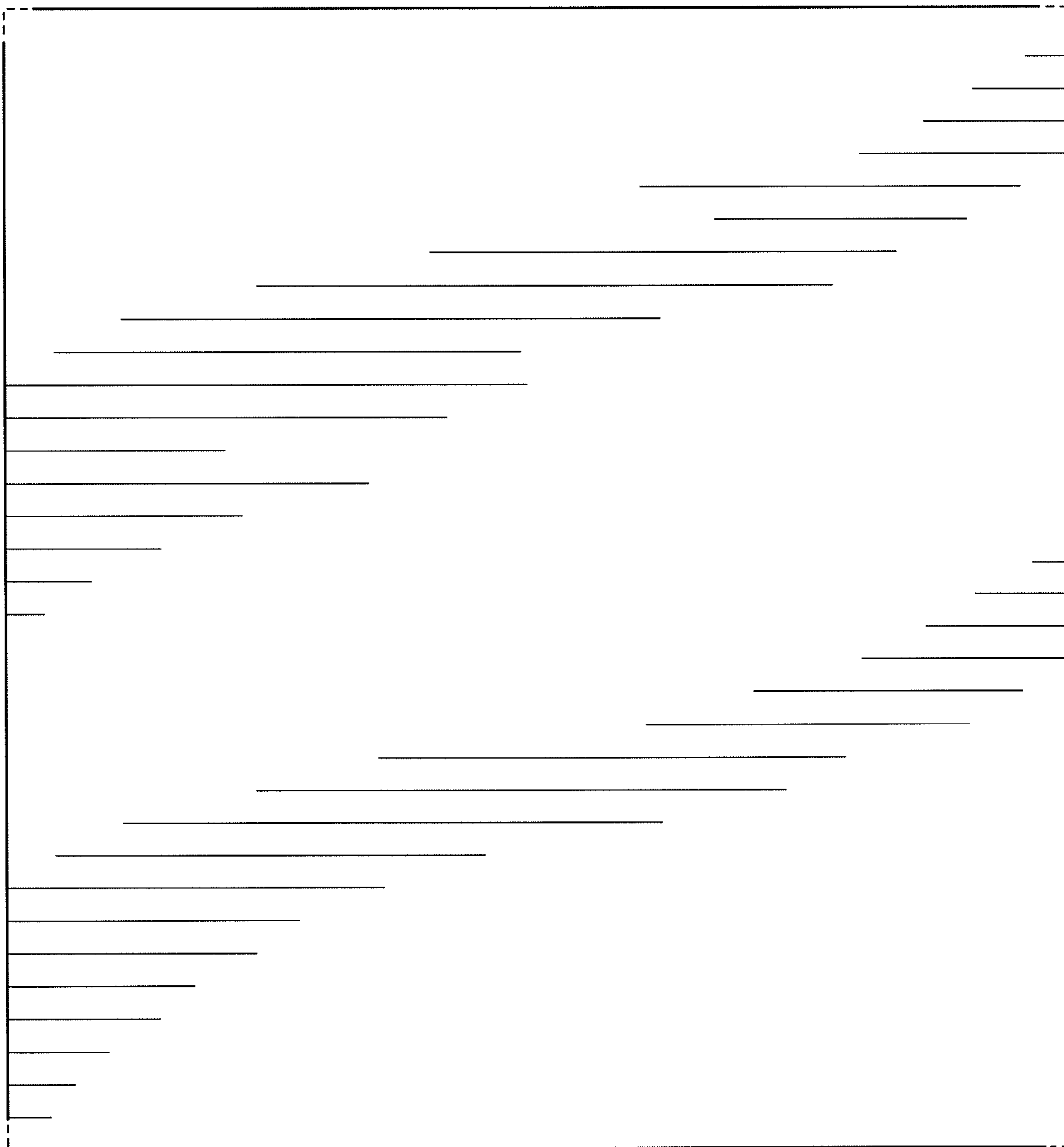


FIG. 7