



US00D606780S

(12) **United States Design Patent**  
**Mezzera**

(10) **Patent No.:** **US D606,780 S**

(45) **Date of Patent:** **\*\* Dec. 29, 2009**

(54) **CHAIR ARM PAD SUPPORT**

D540,075 S \* 4/2007 Mazzera ..... D6/501  
D543,386 S \* 5/2007 Mazzera ..... D6/501

(75) Inventor: **Marcelo Mezzera**, Rancho Santa  
Margarita, CA (US)

\* cited by examiner

(73) Assignee: **True Innovations, LLC** (MU)

*Primary Examiner*—Mimosa De  
(74) *Attorney, Agent, or Firm*—Morland C. Fischer

(\*\*) Term: **14 Years**

(57) **CLAIM**

(21) Appl. No.: **29/315,539**

The ornamental design for a chair arm pad support, as shown  
and described.

(22) Filed: **Jul. 6, 2009**

(51) **LOC (9) Cl.** ..... **06-01**

(52) **U.S. Cl.** ..... **D6/501; D6/366**

(58) **Field of Classification Search** ..... D6/334–336,  
D6/364, 365, 366, 367, 374, 376, 379, 380,  
D6/491, 500–502; 297/411.2, 411.27, 411.34,  
297/411.36, 411.37, 463.1

See application file for complete search history.

**DESCRIPTION**

FIG. 1 is a perspective view showing the left side, top and  
front of a chair arm pad support which forms my new design,  
the broken lines in this and other figures showing other parts  
of a chair arm being for illustrative purposes and forming no  
part of my design;

FIG. 2 is a left side elevational view thereof;

FIG. 3 is a right side elevational view thereof;

FIG. 4 is a rear elevational view thereof;

FIG. 5 is a front elevational view thereof;

FIG. 6 is a top plan view thereof; and,

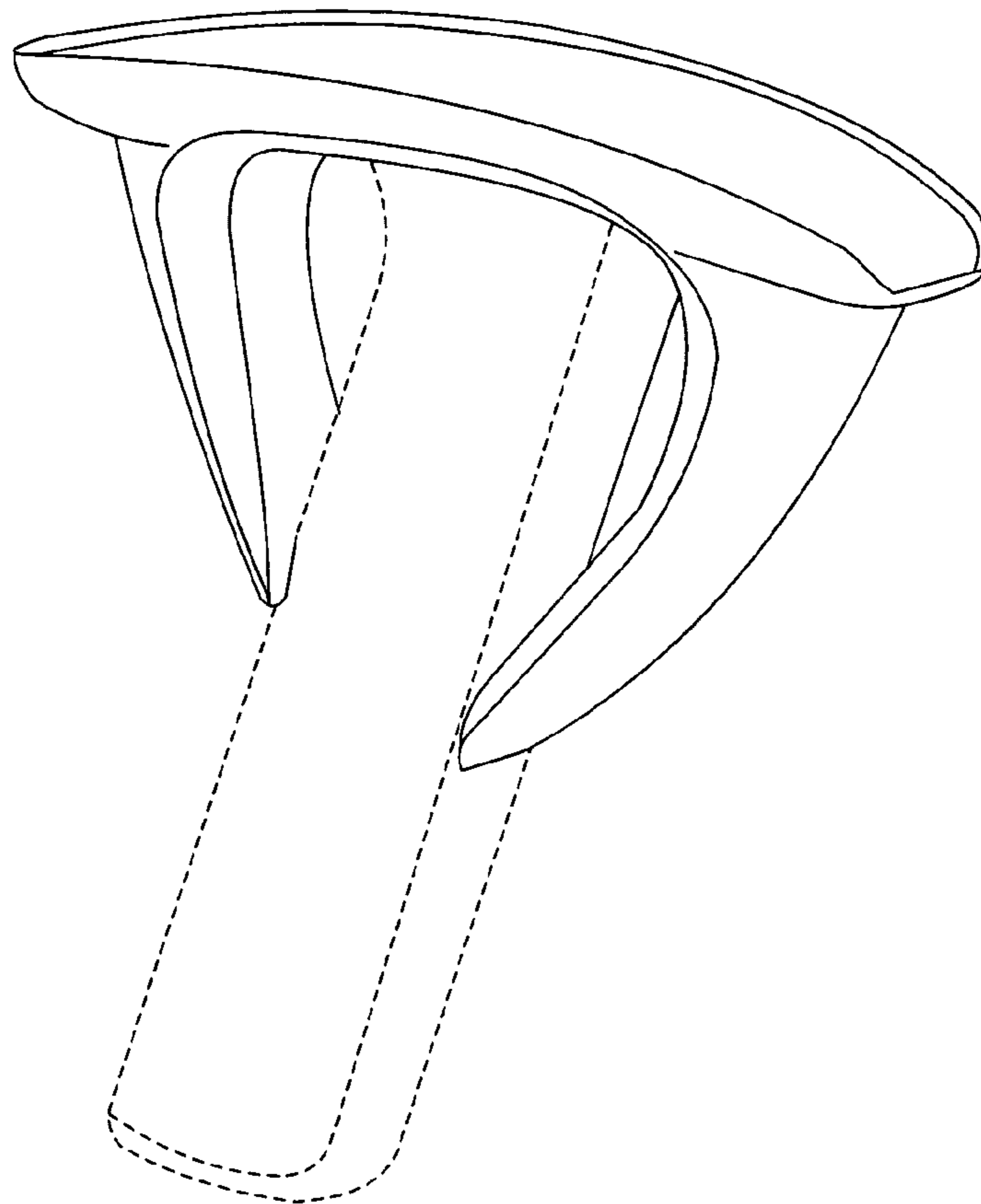
FIG. 7 is a bottom plan view thereof.

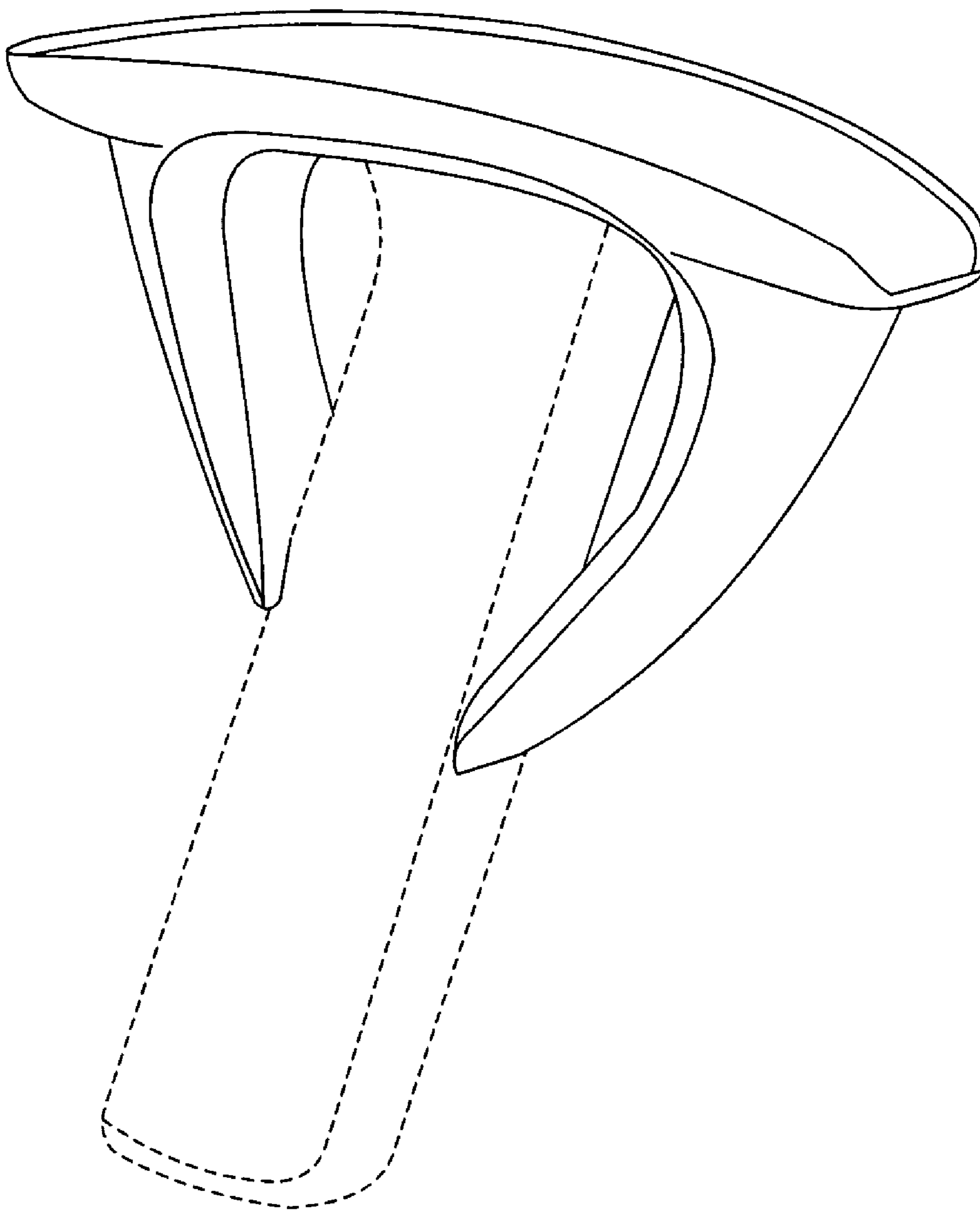
(56) **References Cited**

**U.S. PATENT DOCUMENTS**

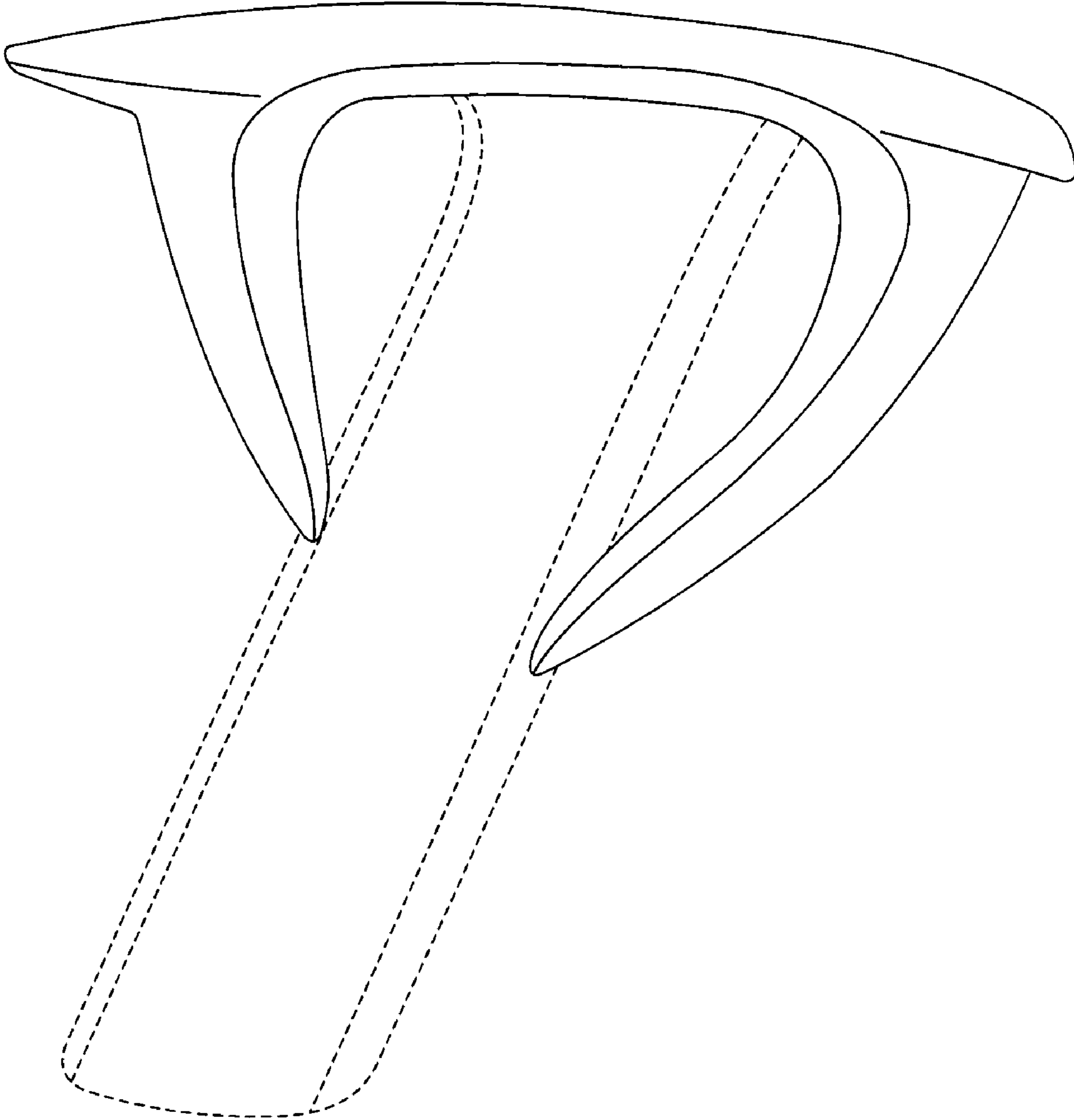
D384,510 S \* 10/1997 Tedesco et al. .... D6/366  
D386,920 S \* 12/1997 Neil ..... D6/501  
D393,384 S \* 4/1998 Tedesco et al. .... D6/501  
6,264,277 B1 \* 7/2001 Lay ..... 297/411.2  
D538,563 S \* 3/2007 Smith ..... D6/501

**1 Claim, 5 Drawing Sheets**

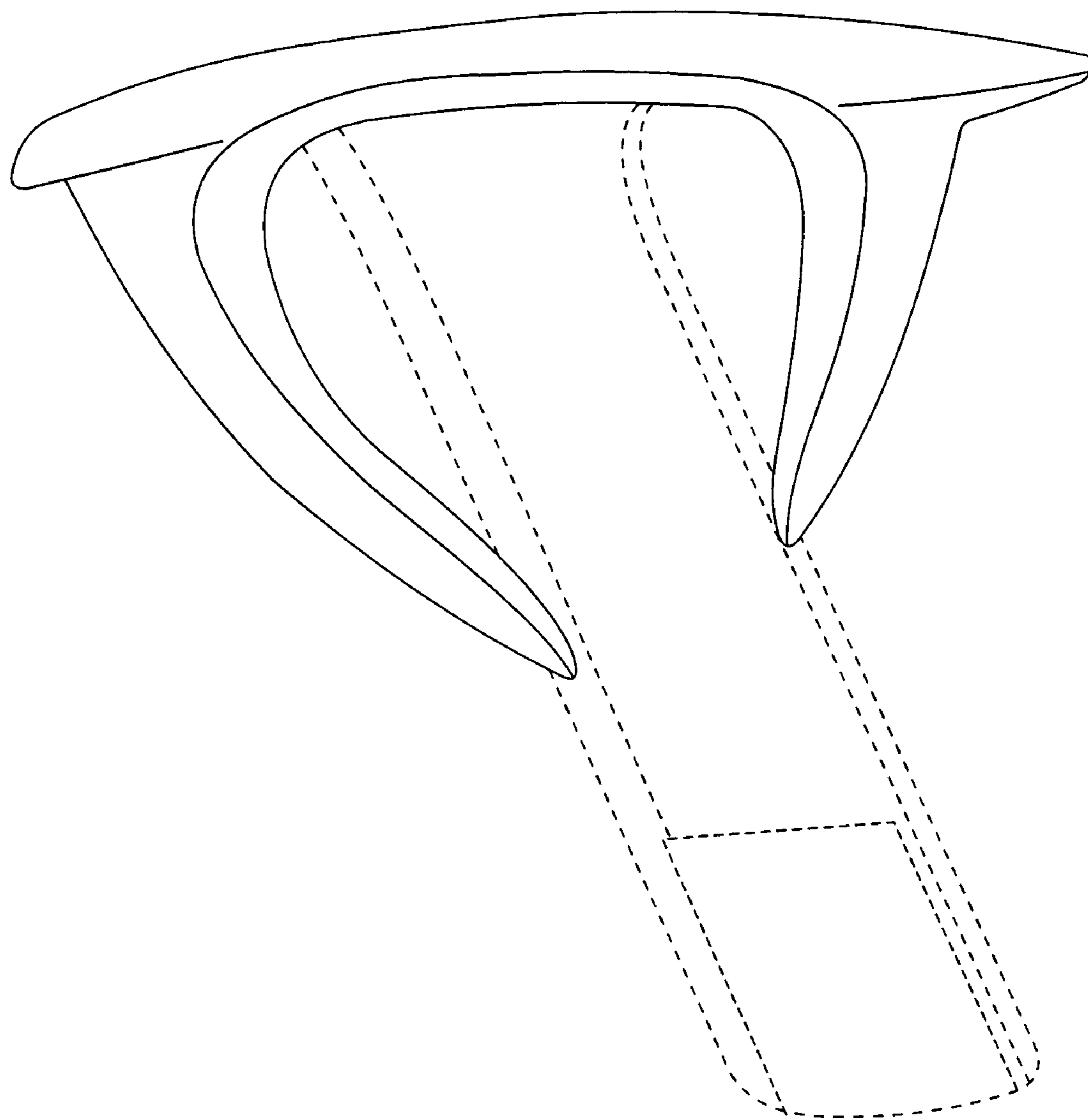




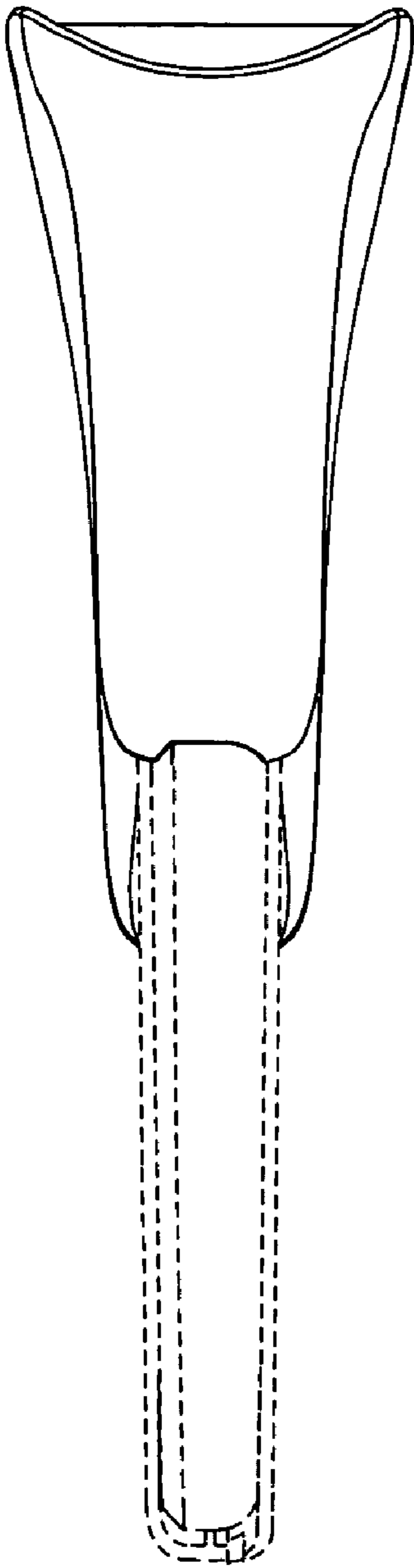
*FIG. 1*



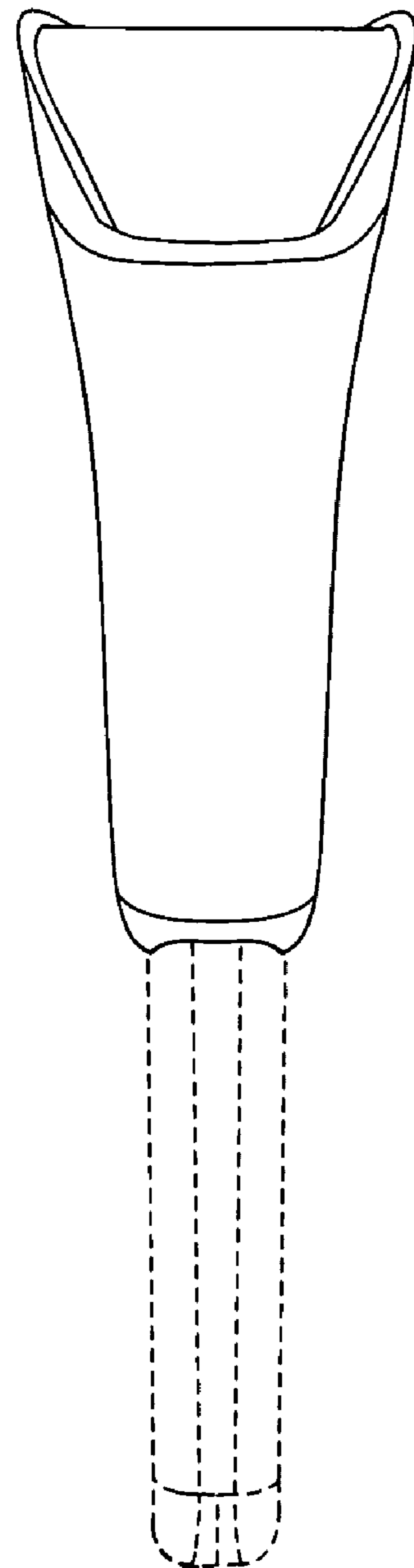
*FIG. 2*



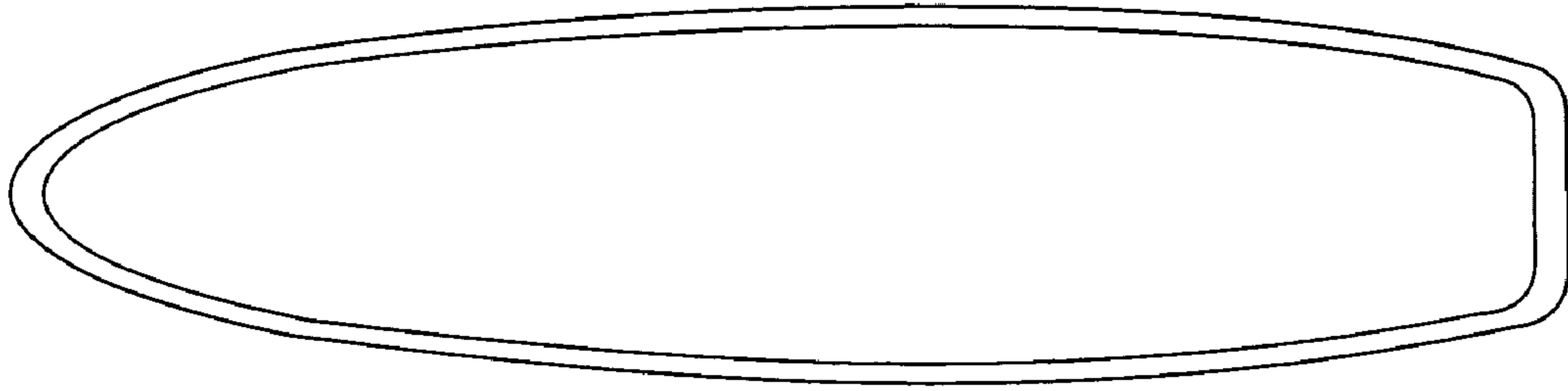
*FIG. 3*



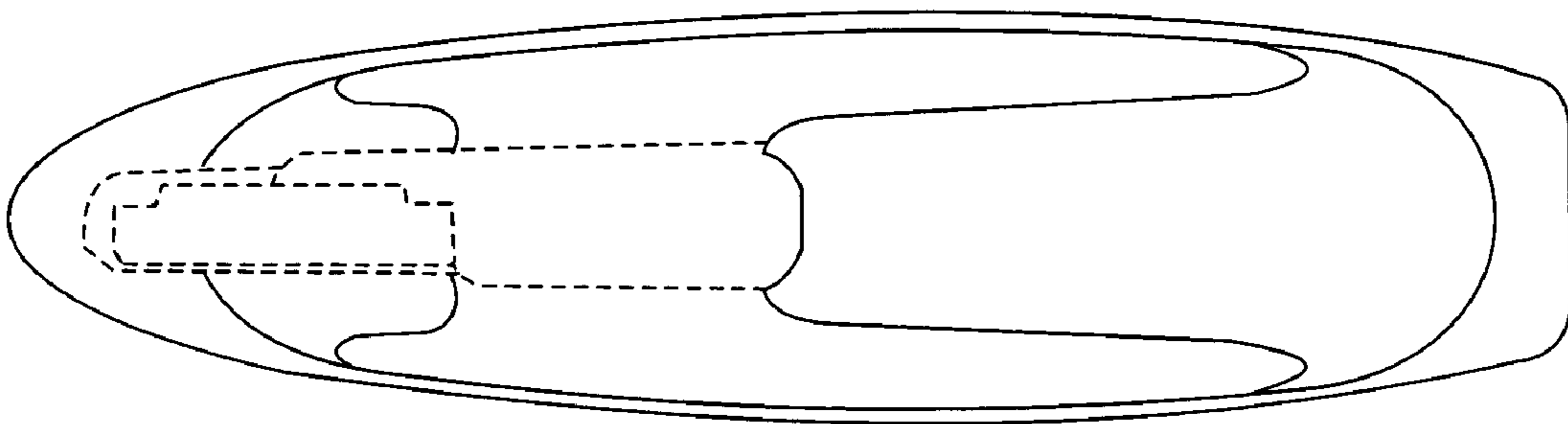
*FIG. 4*



*FIG. 5*



*FIG. 6*



*FIG. 7*