



US00D606779S

(12) **United States Design Patent**
Muller

(10) **Patent No.:** **US D606,779 S**
(45) **Date of Patent:** **** Dec. 29, 2009**

(54) **SEAT FRAME**

(75) Inventor: **Carl A. Muller**, Huntington Beach, CA (US)

(73) Assignee: **Elite Manufacturing Corporation**, Santa Fe Springs, CA (US)

(**) Term: **14 Years**

(21) Appl. No.: **29/341,335**

(22) Filed: **Aug. 4, 2009**

(51) **LOC (9) Cl.** **06-01**

(52) **U.S. Cl.** **D6/500; D6/364; D6/375**

(58) **Field of Classification Search** D6/334-336,
D6/360, 361, 364, 365, 367, 375, 500-502;
297/218.1, 218.2, 452.12, 452.19, 454.1,
297/451.5

See application file for complete search history.

(56) **References Cited**

U.S. PATENT DOCUMENTS

D142,802 S *	11/1945	Weil	D6/375
D209,446 S *	12/1967	Delieuvain	D6/361
D218,816 S *	9/1970	Leaver	D6/365
3,567,278 A *	3/1971	Barecki et al.	297/218.1
D235,236 S *	6/1975	Prizlow	D6/375
D448,942 S *	10/2001	Mourgue	D6/375
D559,570 S *	1/2008	Higgs et al.	D6/364
D569,115 S *	5/2008	McCoy et al.	D6/365
D573,379 S	7/2008	Muller	D6/502
D573,816 S	7/2008	Muller	D6/502

OTHER PUBLICATIONS

Boomerang Chair, available from Dune, New York, printout available online on Aug. 11, 2009, at <http://www.dune-ny.com/site/>

catalogues_pdf/dune_contract_collection.pdf, p. 12 of catalog, 1-page.

Boomerang Plus Chair, designed by Gwenael Nicolas, available from Suite New York, printout available online on Aug. 11, 2009, at http://www.suiteny.com/suiteny_cms/pdfs/products_696.pdf, 1-page.

Kandor Chair, designed by Karim Rashid, available from Bonaldo, Italy, printout available online on Aug. 11, 2009, at http://www.bonaldo.com/_files/pdf_prodotti/kandor.pdf, 1-page.

Wave Tables, designed by Rick Lee, available from Elite Manufacturing Corporation, printout available online on Aug. 11, 2009, at http://www.elitemfgusa.com/pages/new_intros/modern/wavesqr.html, 2-pages 2008.

* cited by examiner

Primary Examiner—Mimosa De

(74) *Attorney, Agent, or Firm*—Heslin Rothenberg Farley & Mesiti P.C.

(57) **CLAIM**

The ornamental design for a seat frame, as shown and described.

DESCRIPTION

FIG. 1 is an isometric view of a seat frame in accordance with the new design;

FIG. 2 is a front elevational view thereof,

FIG. 3 is a rear elevational view thereof;

FIG. 4 is a right side elevational view thereof;

FIG. 5 is a left side elevational view thereof; and,

FIG. 6 is a top view thereof.

The broken lines in the figures are for illustrative purposes only and form no part of the claimed design.

1 Claim, 6 Drawing Sheets

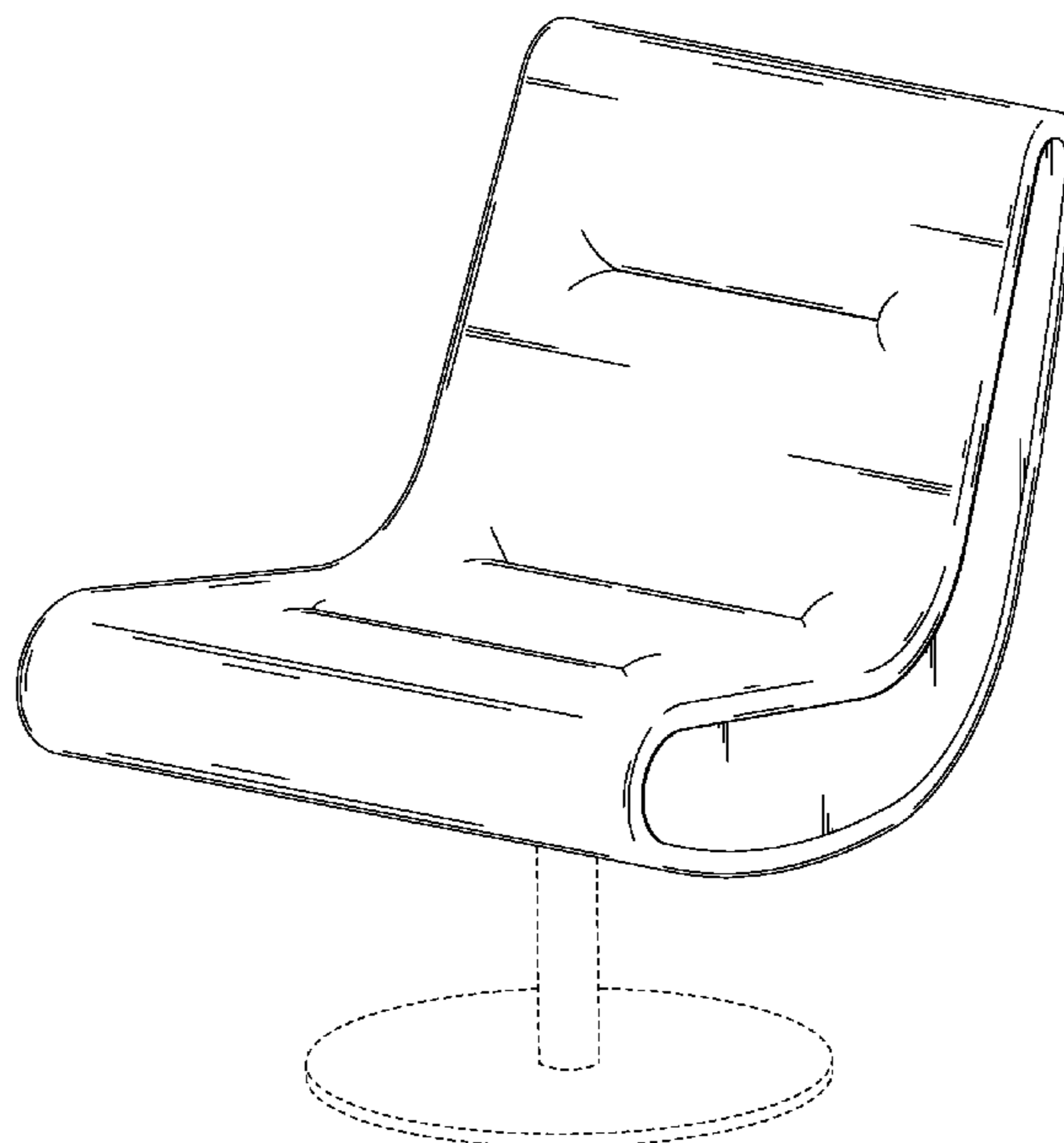




FIG. 1

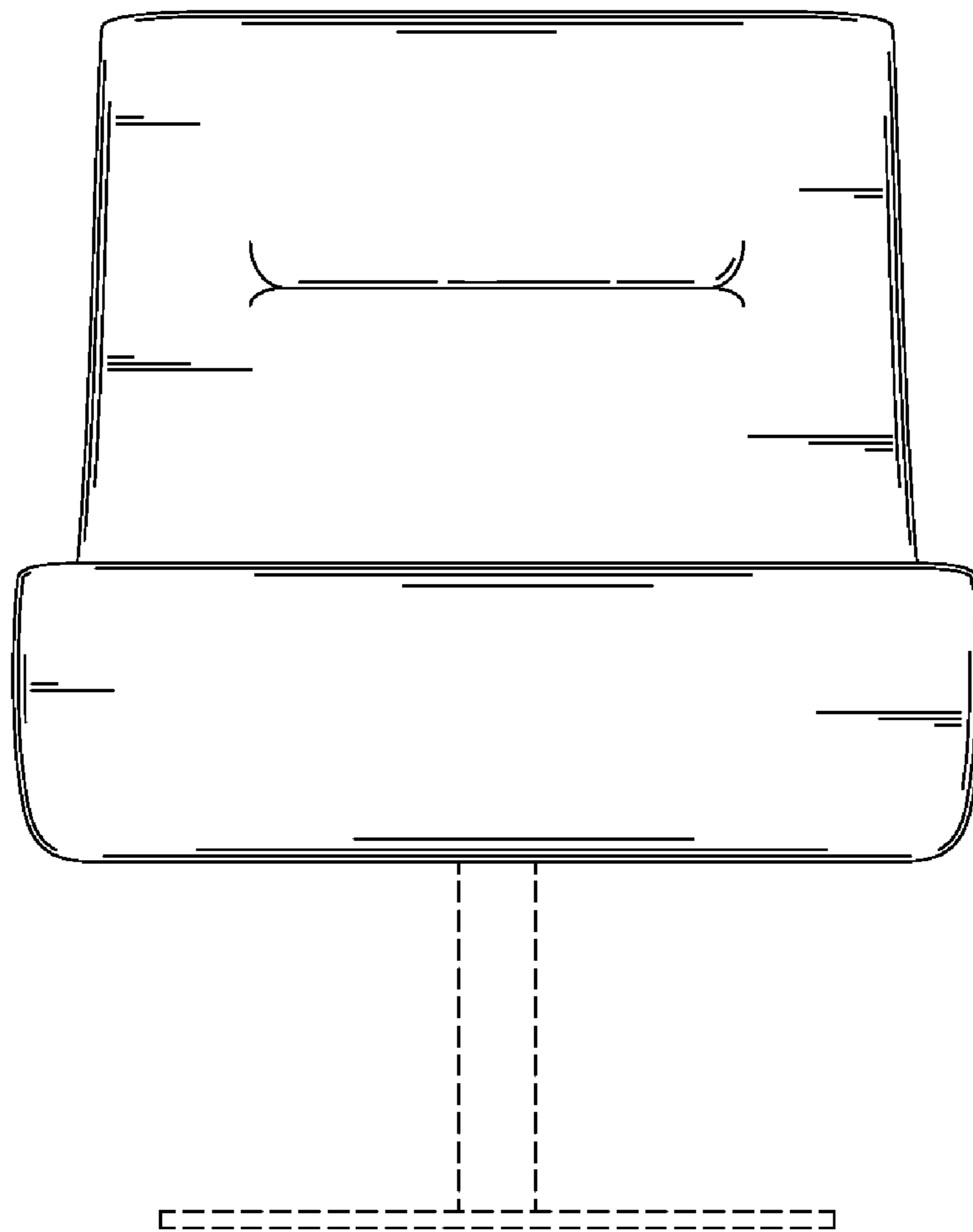


FIG. 2

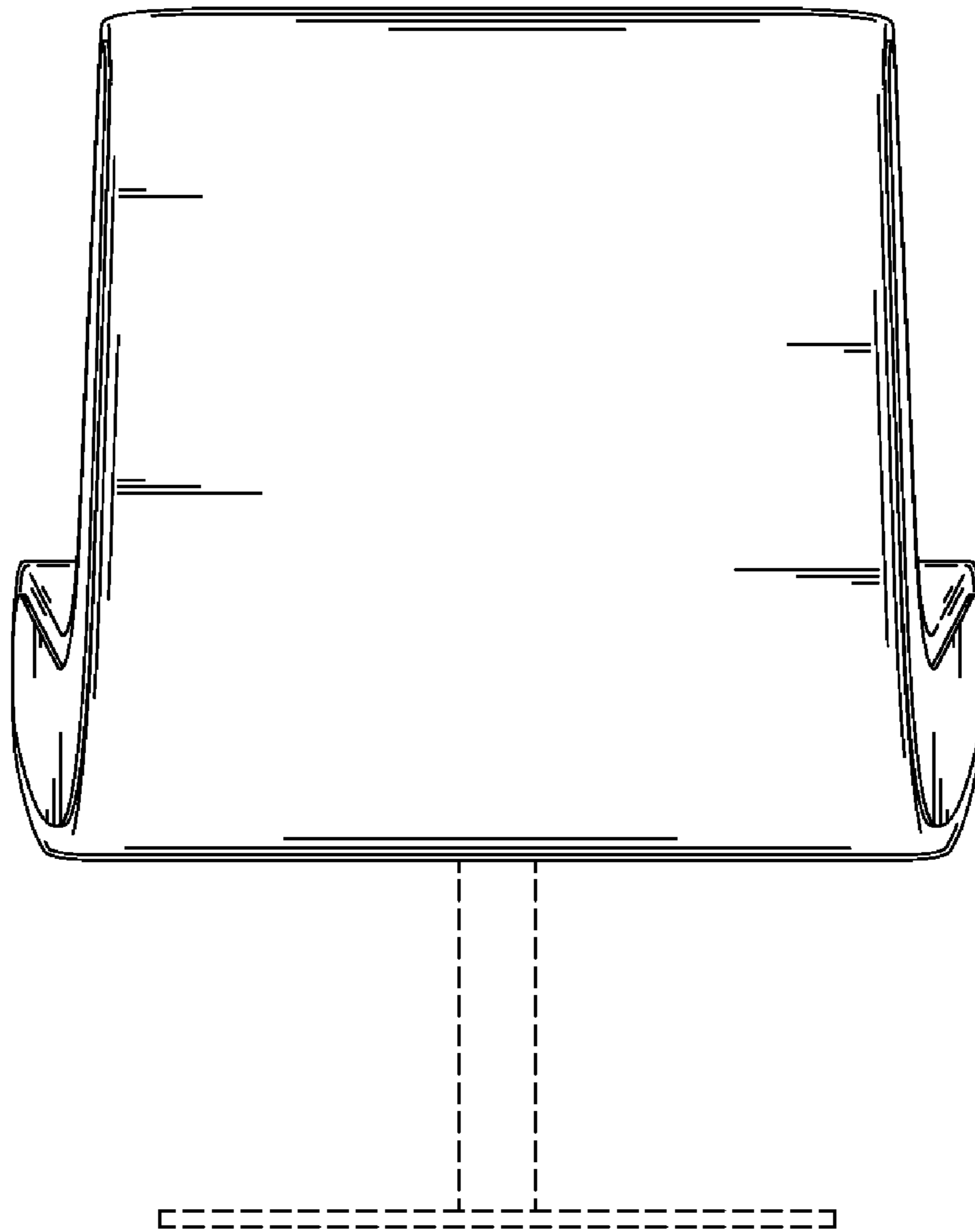


FIG. 3

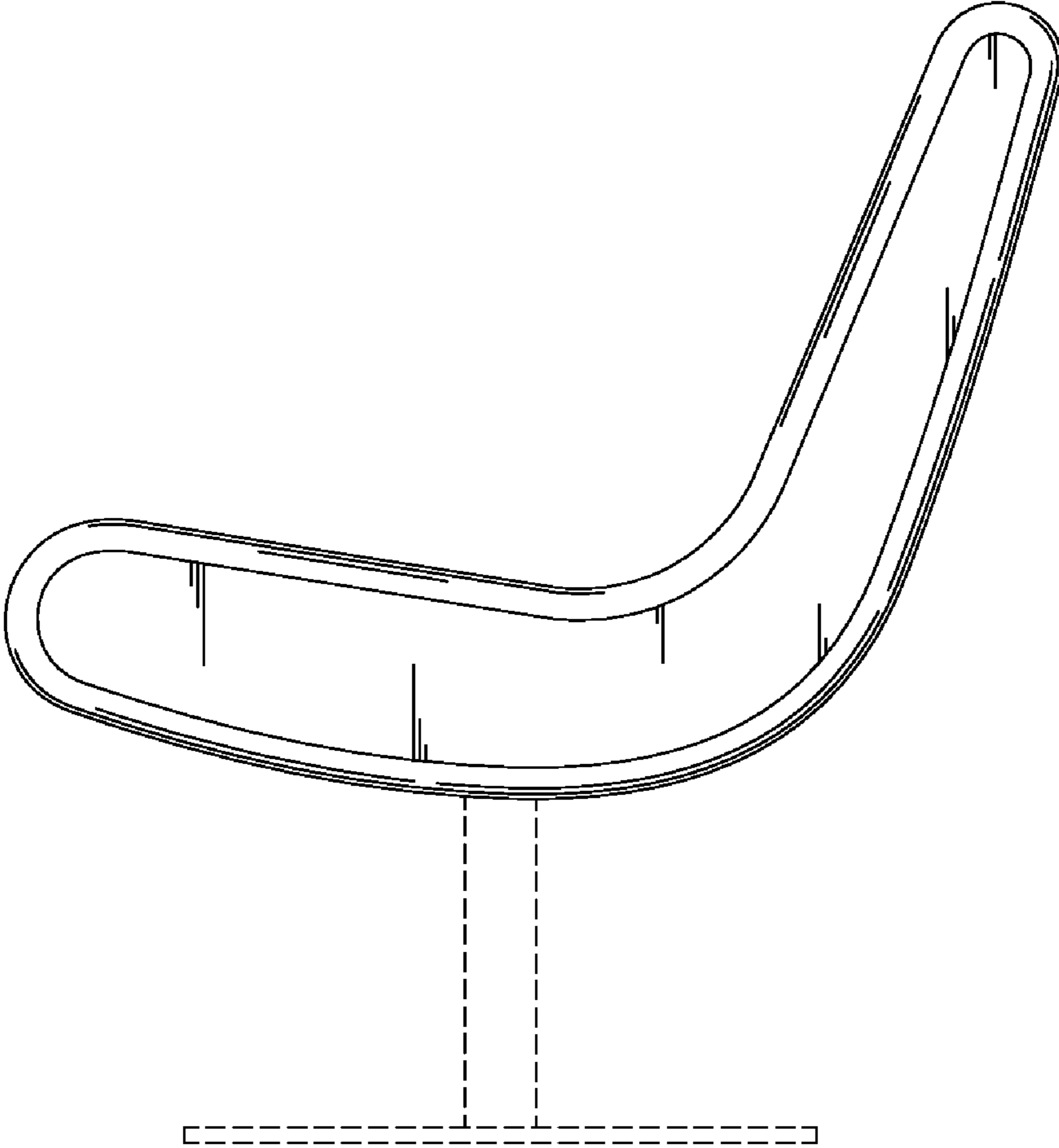


FIG. 4

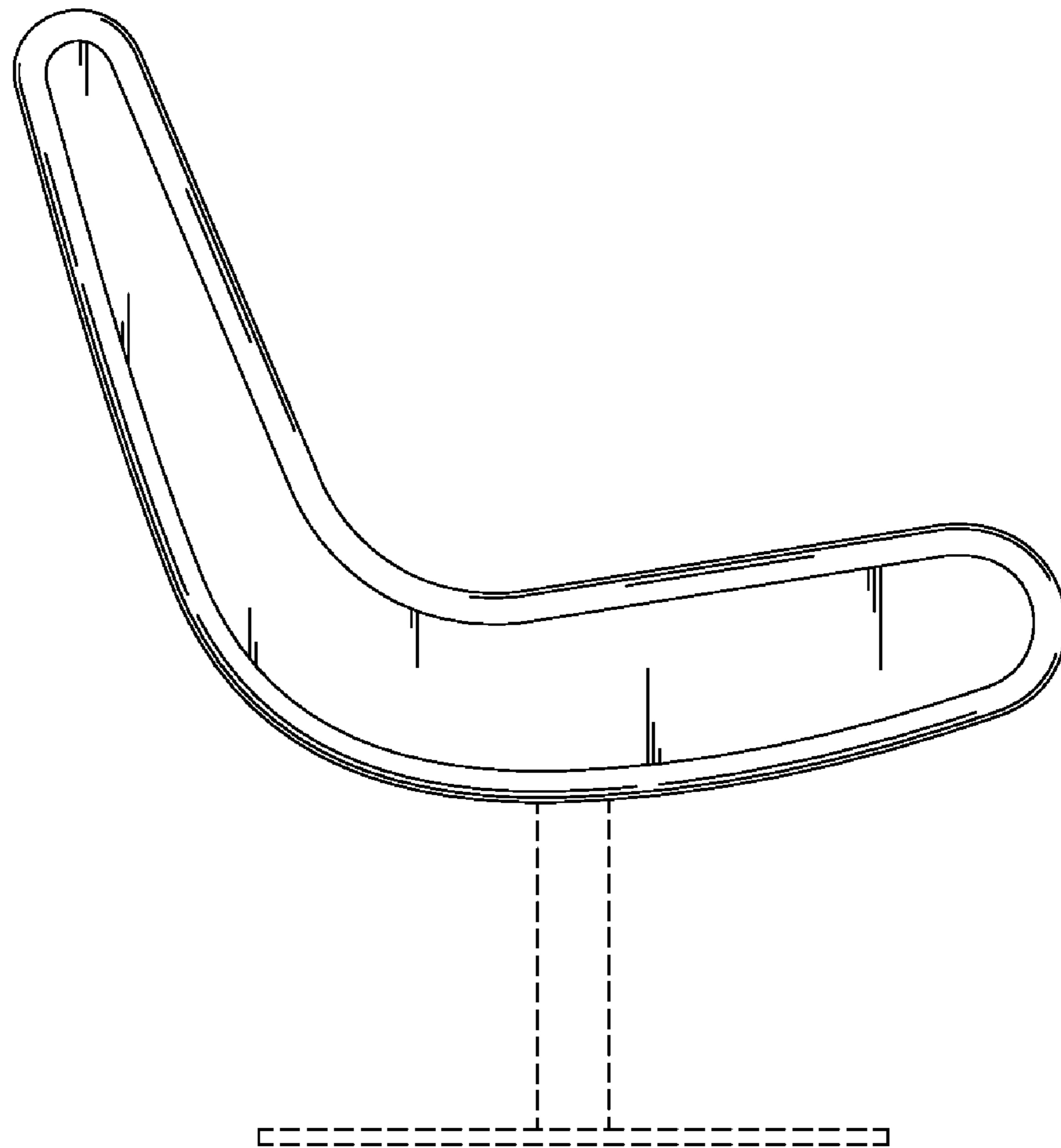


FIG. 5

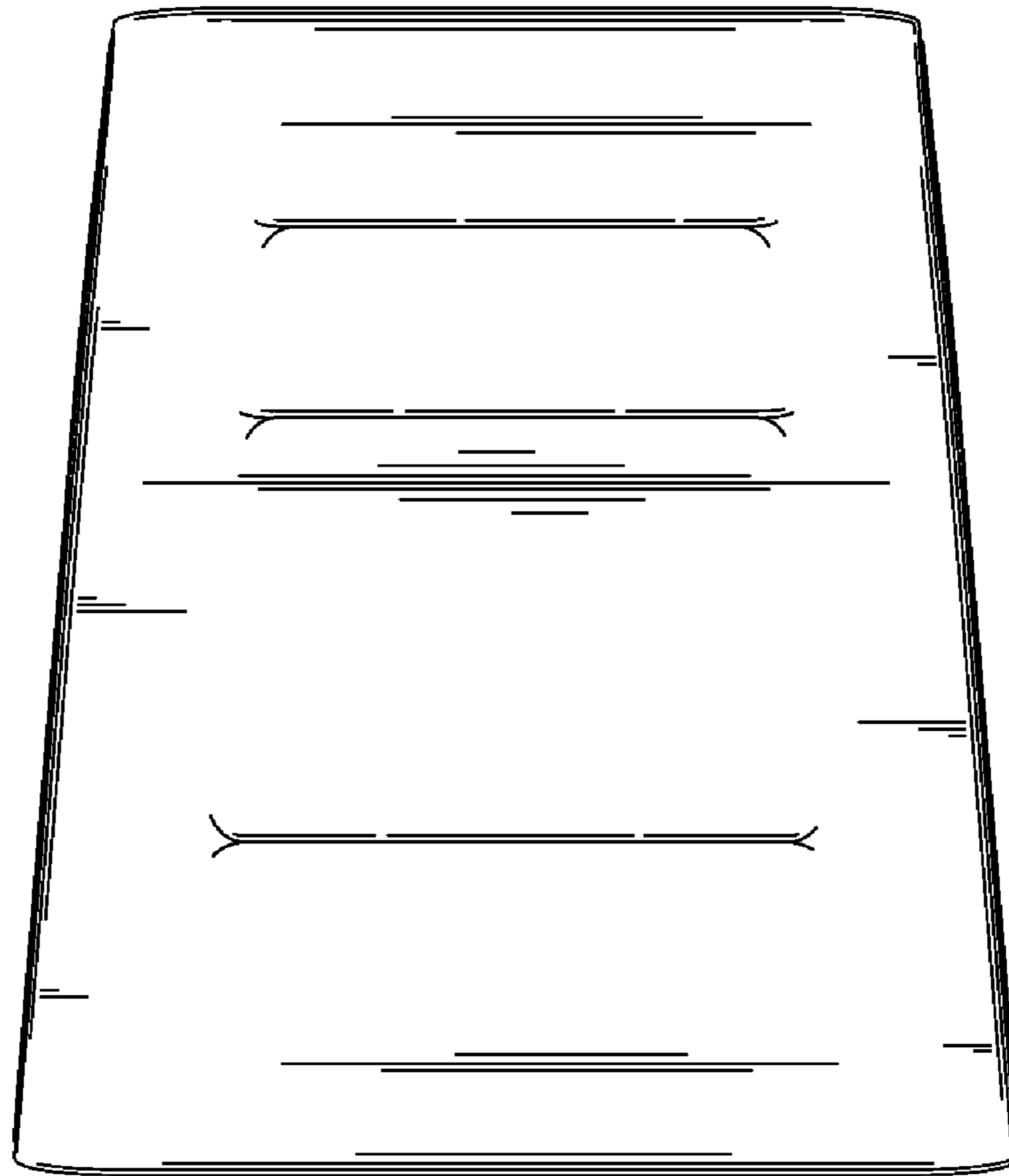


FIG. 6