



US00D606778S

(12) **United States Design Patent**  
**Paloian**

(10) **Patent No.:** **US D606,778 S**

(45) **Date of Patent:** **\*\* Dec. 29, 2009**

(54) **DESK FOR CHILDREN**

(76) Inventor: **Michael Paloian**, 427 Woodbury Rd.,  
Cold Spring Holver, NY (US) 11724

(\*\*) Term: **14 Years**

(21) Appl. No.: **29/327,770**

(22) Filed: **Nov. 13, 2008**

(51) **LOC (9) Cl.** ..... **06-03**

(52) **U.S. Cl.** ..... **D6/484; D6/349**

(58) **Field of Classification Search** ..... D6/480-489,  
D6/495-499, 429-431, 349, 336; 108/25,  
108/33, 38, 153.1, 155, 156, 161; 297/461,  
297/462, 188.08, 188.09, 188.13

See application file for complete search history.

(56) **References Cited**

**U.S. PATENT DOCUMENTS**

D346,704 S \* 5/1994 Grosfillex ..... D6/349

D411,689 S \* 6/1999 Papaioannou et al. .... D6/349  
D538,557 S \* 3/2007 Martyn ..... D6/484  
D596,879 S \* 7/2009 Collette ..... D6/484

\* cited by examiner

*Primary Examiner*—Janice E Seeger

(57) **CLAIM**

I claim the ornamental design for a desk for children, as shown and described.

**DESCRIPTION**

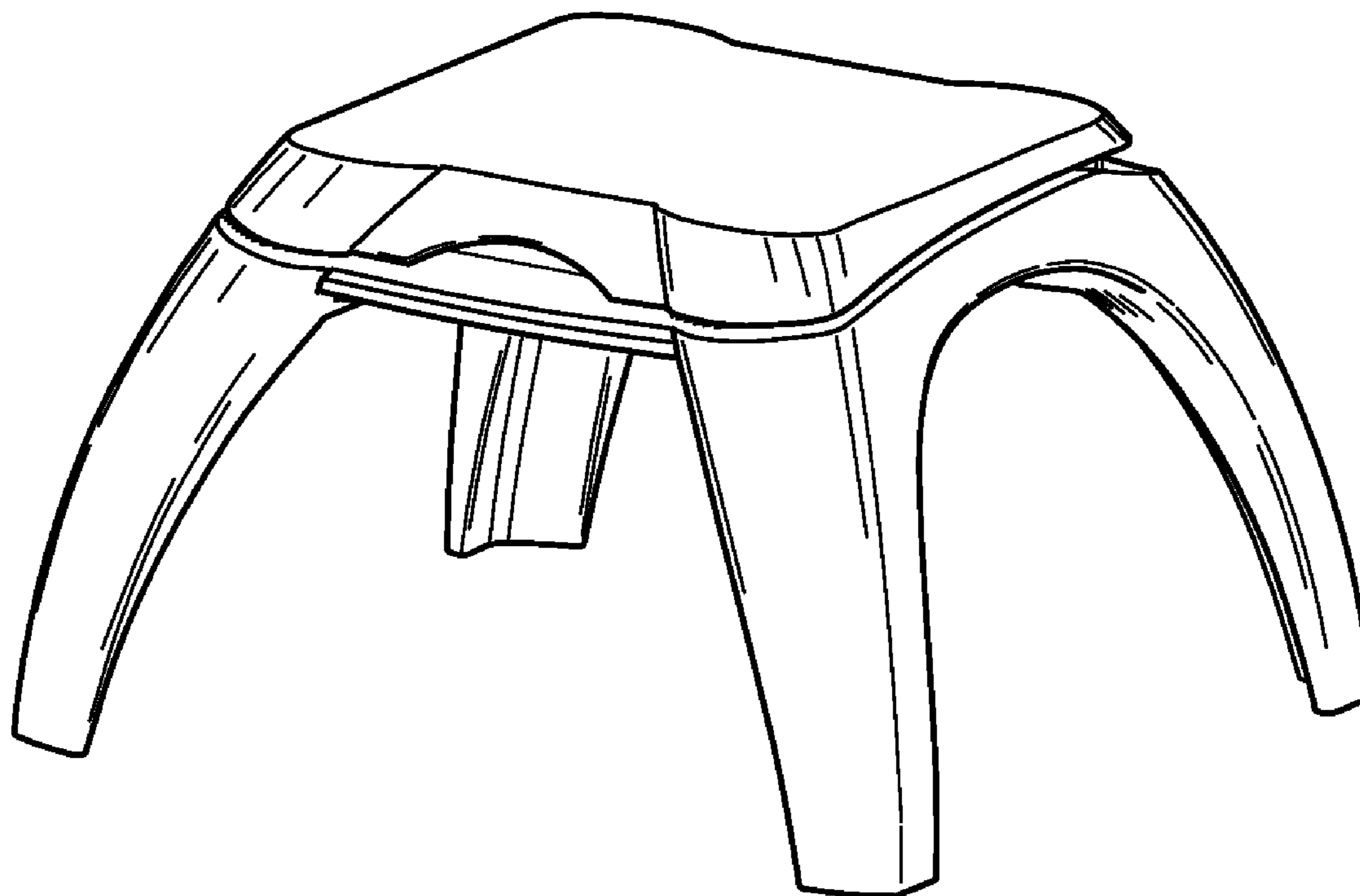
FIG. 1 is a front perspective view of the desk for children showing my design.

FIG. 2 is a back perspective view thereof,

FIG. 3 is a bottom perspective view thereof; and,

FIG. 4 is a top perspective view, illustrating the hinged top surface exploded showing an inner storage space.

**1 Claim, 2 Drawing Sheets**



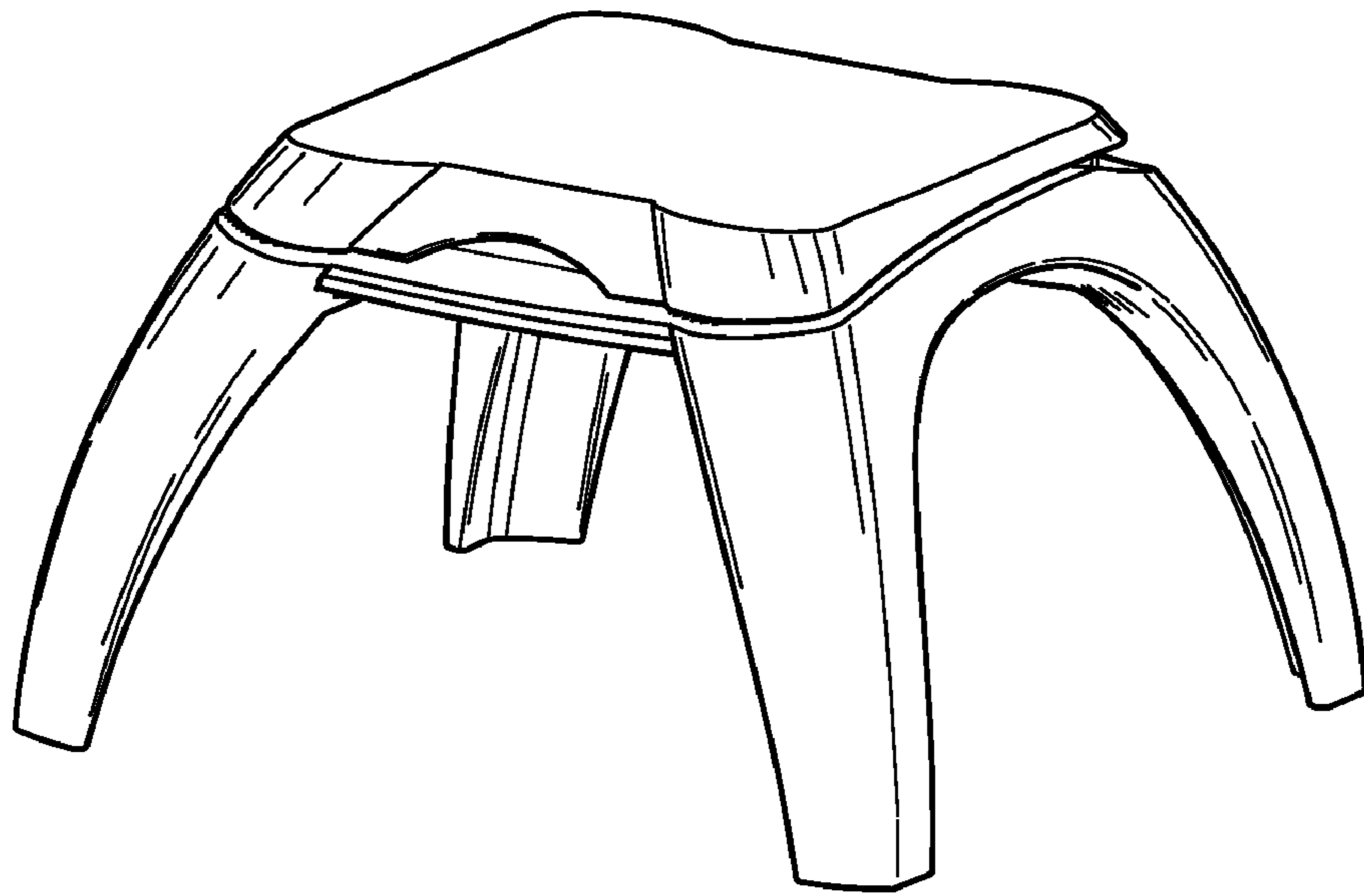


Fig. 1

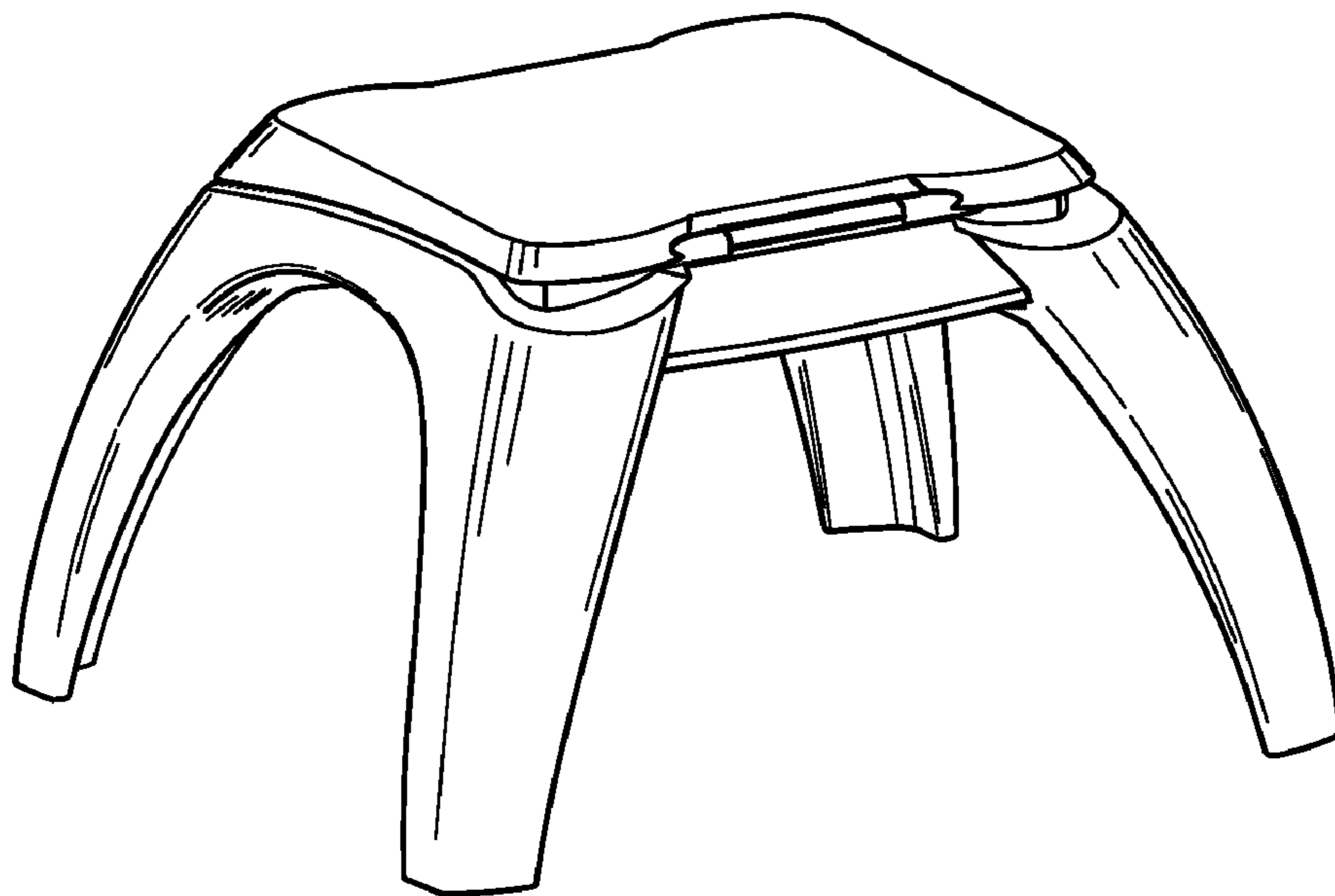


Fig. 2

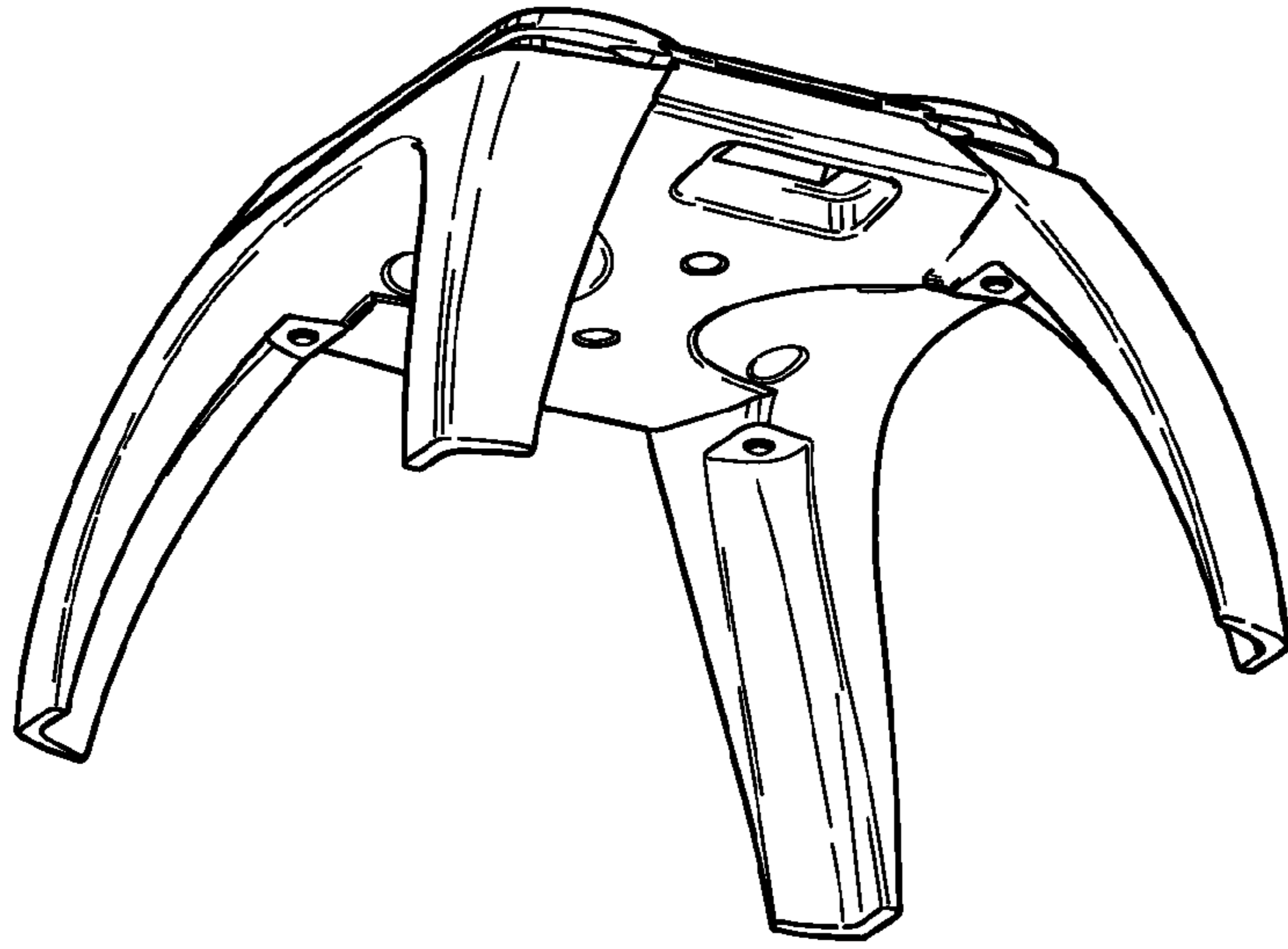


Fig. 3

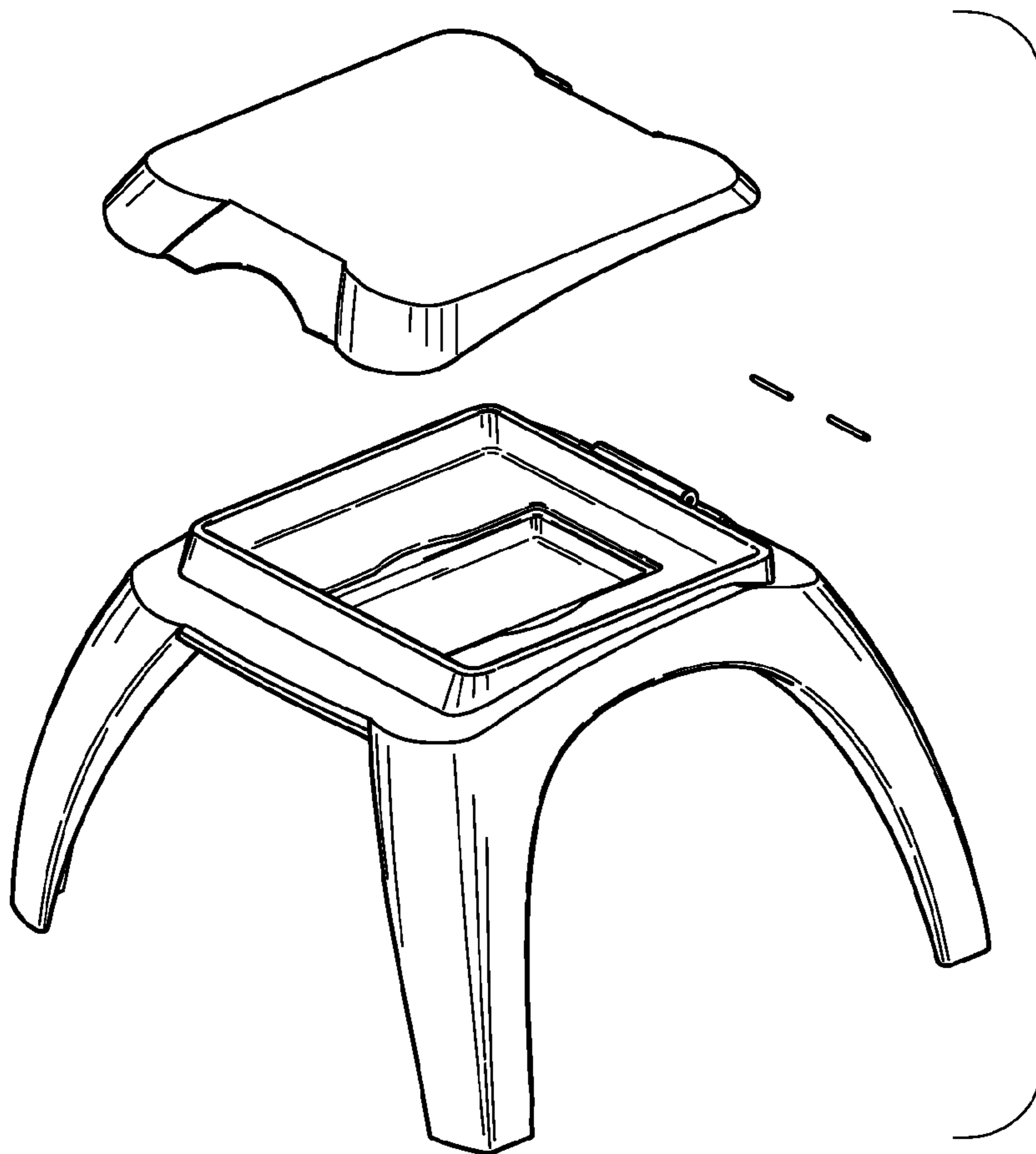


Fig. 4