

US00D606777S

(12) **United States Design Patent**
Weiss

(10) **Patent No.:** **US D606,777 S**
(45) **Date of Patent:** **** Dec. 29, 2009**

(54) **DISPLAY**

(75) Inventor: **Adrienne Weiss**, Chicago, IL (US)

(73) Assignee: **Miss Matched, Inc.**, New York, NY (US)

(**) Term: **14 Years**

(21) Appl. No.: **29/330,964**

(22) Filed: **Jan. 16, 2009**

(51) **LOC (9) Cl.** **06-04**

(52) **U.S. Cl.** **D6/449**

(58) **Field of Classification Search** D6/419,
D6/474, 405, 449, 460, 399, 479; 211/163,
211/85.3, 115, 85.2, 205, 181.1, 42; 108/20,
108/94

See application file for complete search history.

(56) **References Cited**

U.S. PATENT DOCUMENTS

D3,789 S *	12/1869	Waters	D6/405
3,711,021 A *	1/1973	Tantillo	248/579
6,068,144 A *	5/2000	Corpuz et al.	211/205
2003/0192840 A1 *	10/2003	Hoyle et al.	211/85.2

* cited by examiner

Primary Examiner—Caron Veynar

Assistant Examiner—Sydney R Buffalow

(74) *Attorney, Agent, or Firm*—Husch Blackwell Sanders LLP

(57) **CLAIM**

The ornamental design for a display, as shown and described.

DESCRIPTION

FIG. 1 is a perspective view of a display showing my new design;

FIG. 2 is a front elevational view of the display of FIG. 1.

FIG. 3 is a left end elevational view of the display of FIG. 1.

FIG. 4 is a right end elevational view of the display of FIG. 1.

FIG. 5 is a rear elevational view of the display of FIG. 1.

FIG. 6 is a top view of the display of FIG. 1.

FIG. 7 is a bottom view of the display of FIG. 1.

FIG. 8 is a perspective view of a display according to a second embodiment of my new design.

FIG. 9 is a front elevational view of the display of FIG. 8.

FIG. 10 is a left end elevational view of the display of FIG. 8.

FIG. 11 is a right end elevational view of the display of FIG. 8.

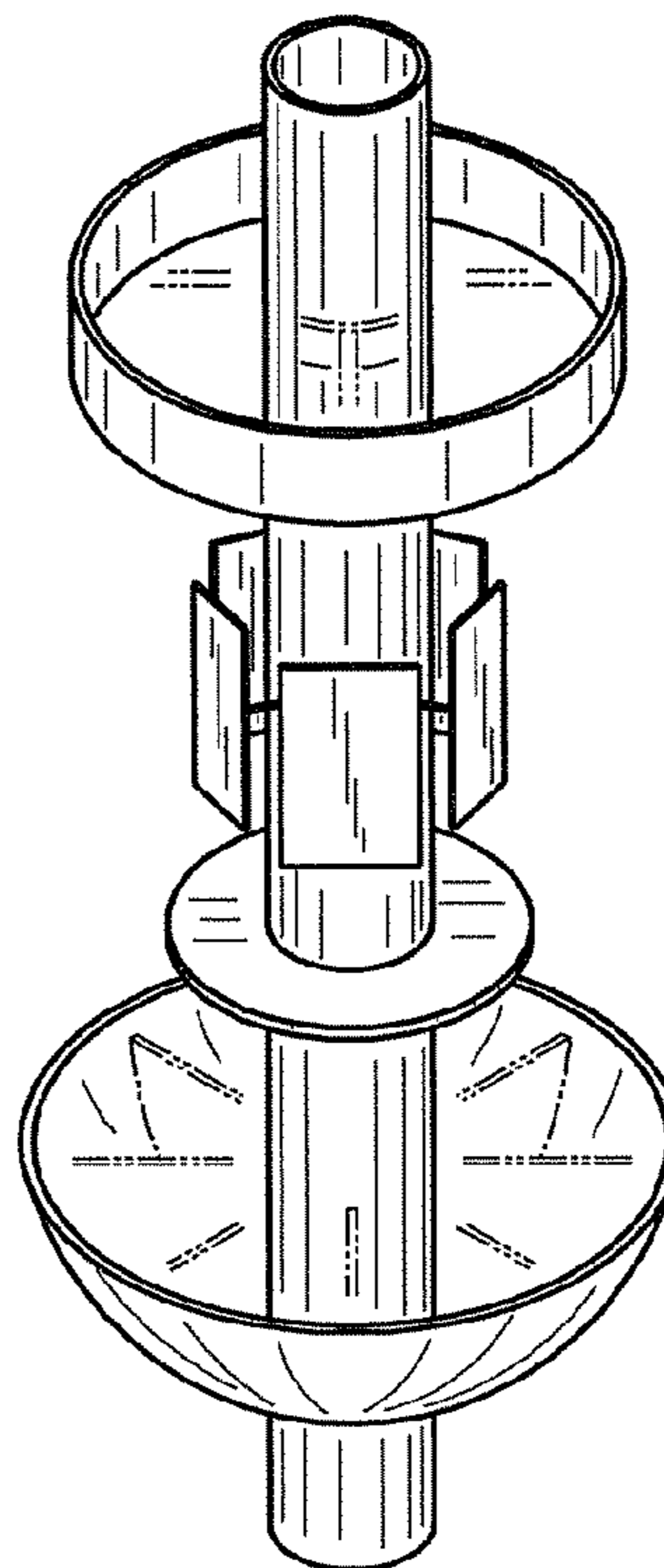
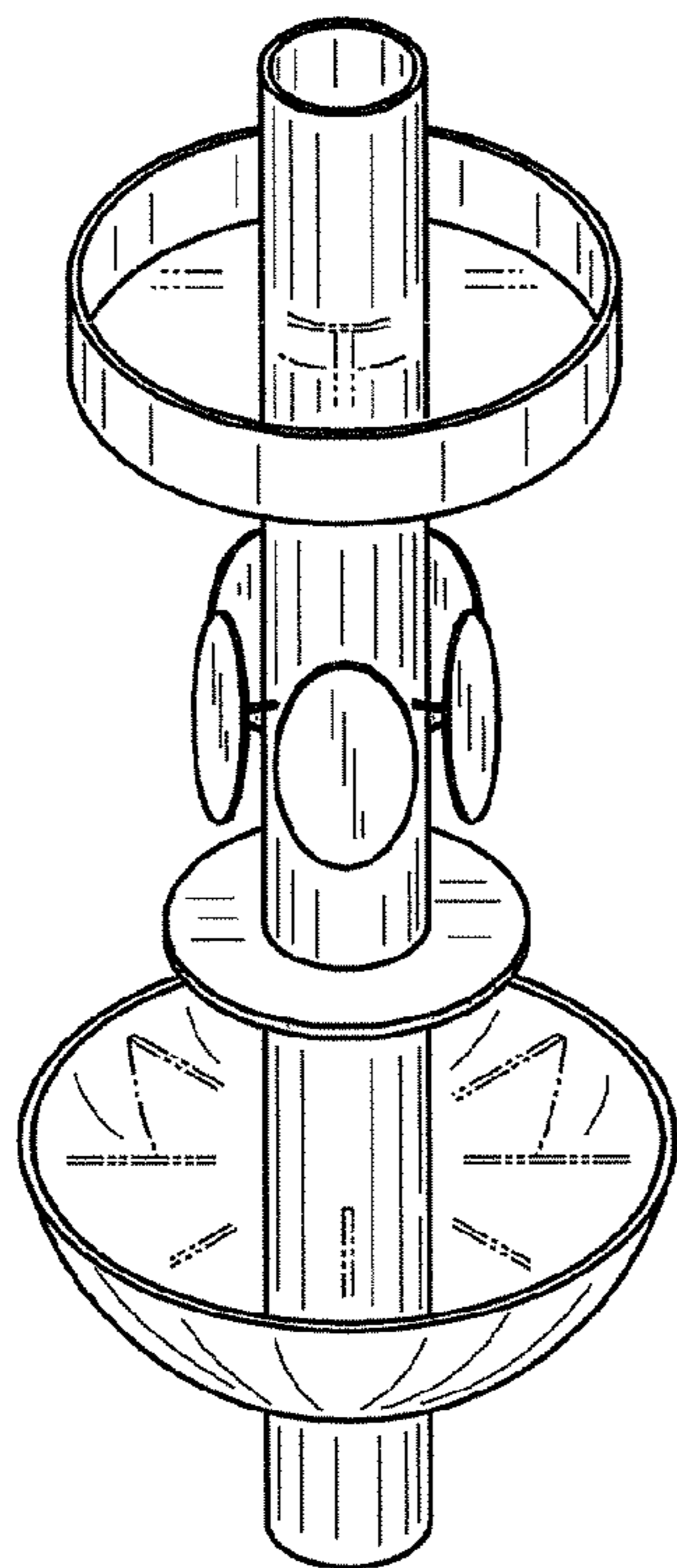
FIG. 12 is a rear elevational view of the display of FIG. 8.

FIG. 13 is a top view of the display of FIG. 8; and,

FIG. 14 is a bottom view of the display of FIG. 8.

The dashed lines in FIGS. 1, 6, 8, and 13 represent environment and are for illustrative purposes only and do not constitute part of the claimed design.

1 Claim, 4 Drawing Sheets



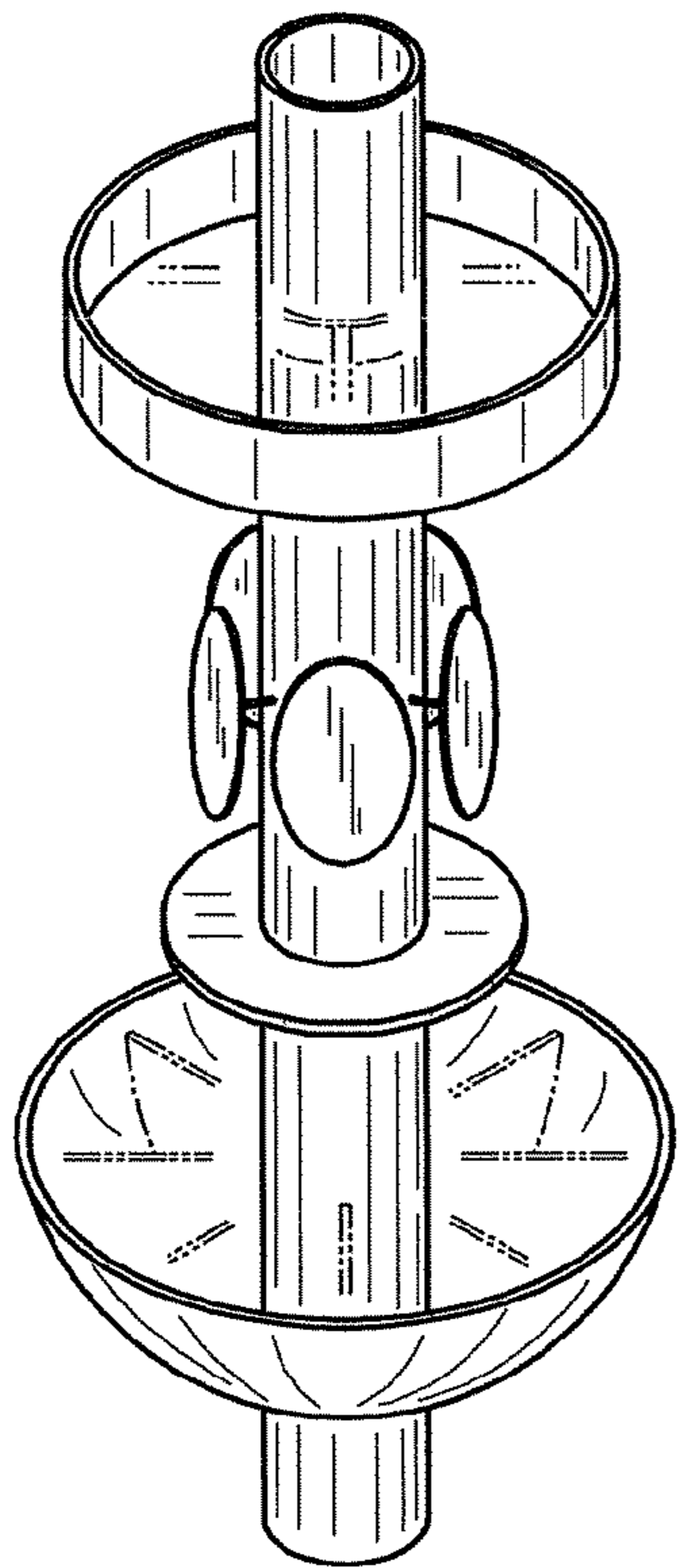


FIG. 1

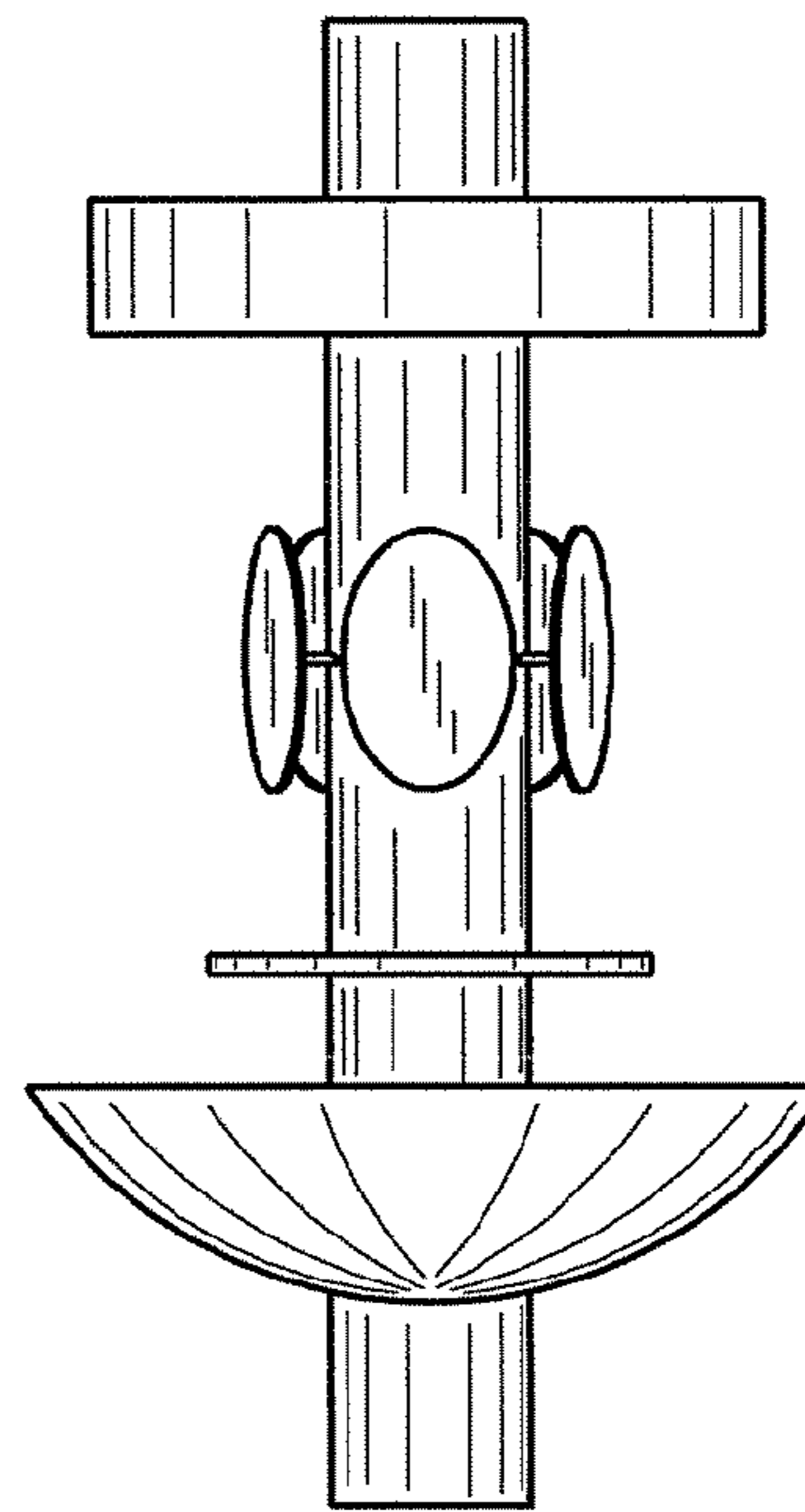


FIG. 2

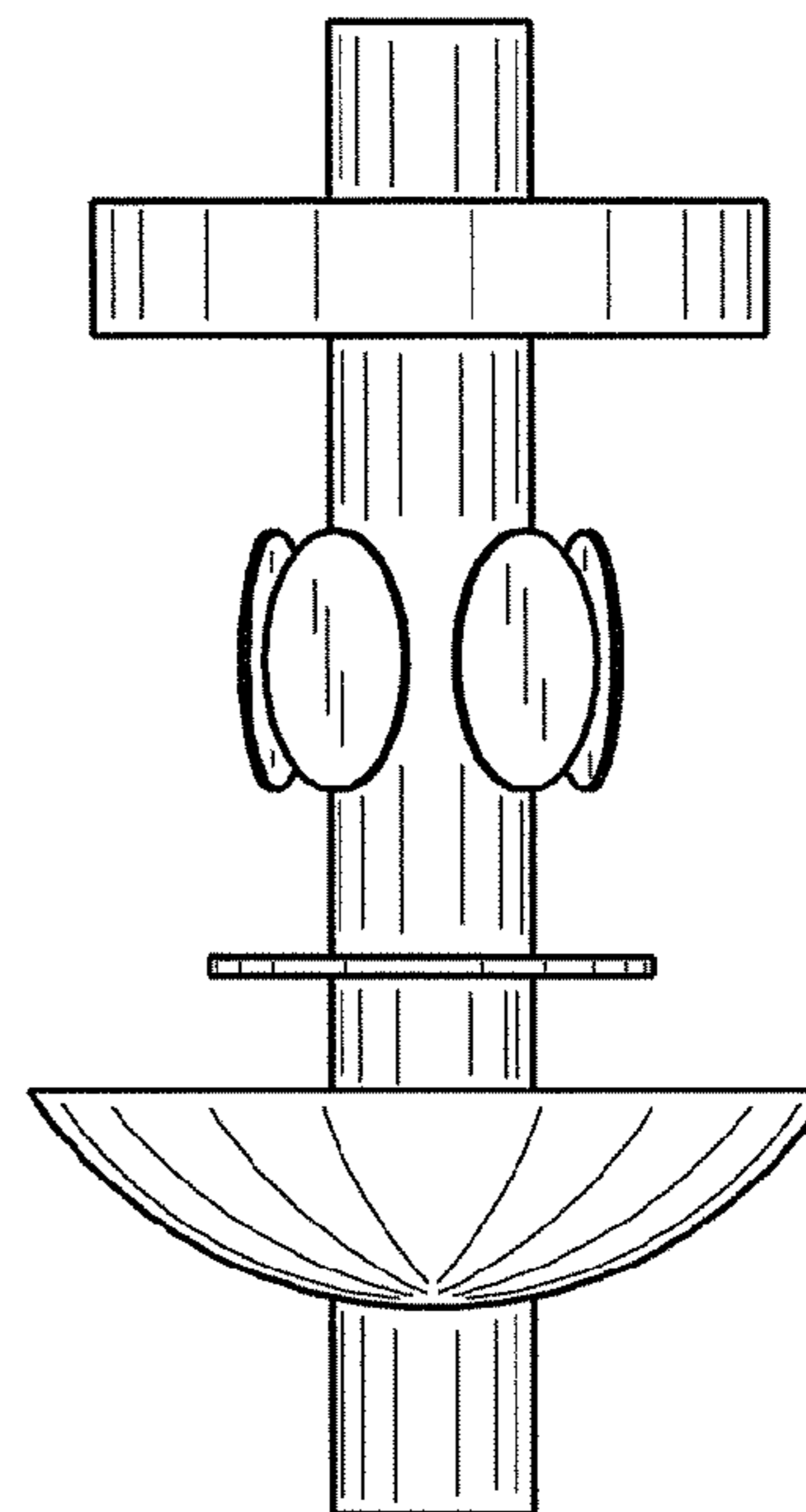


FIG. 3

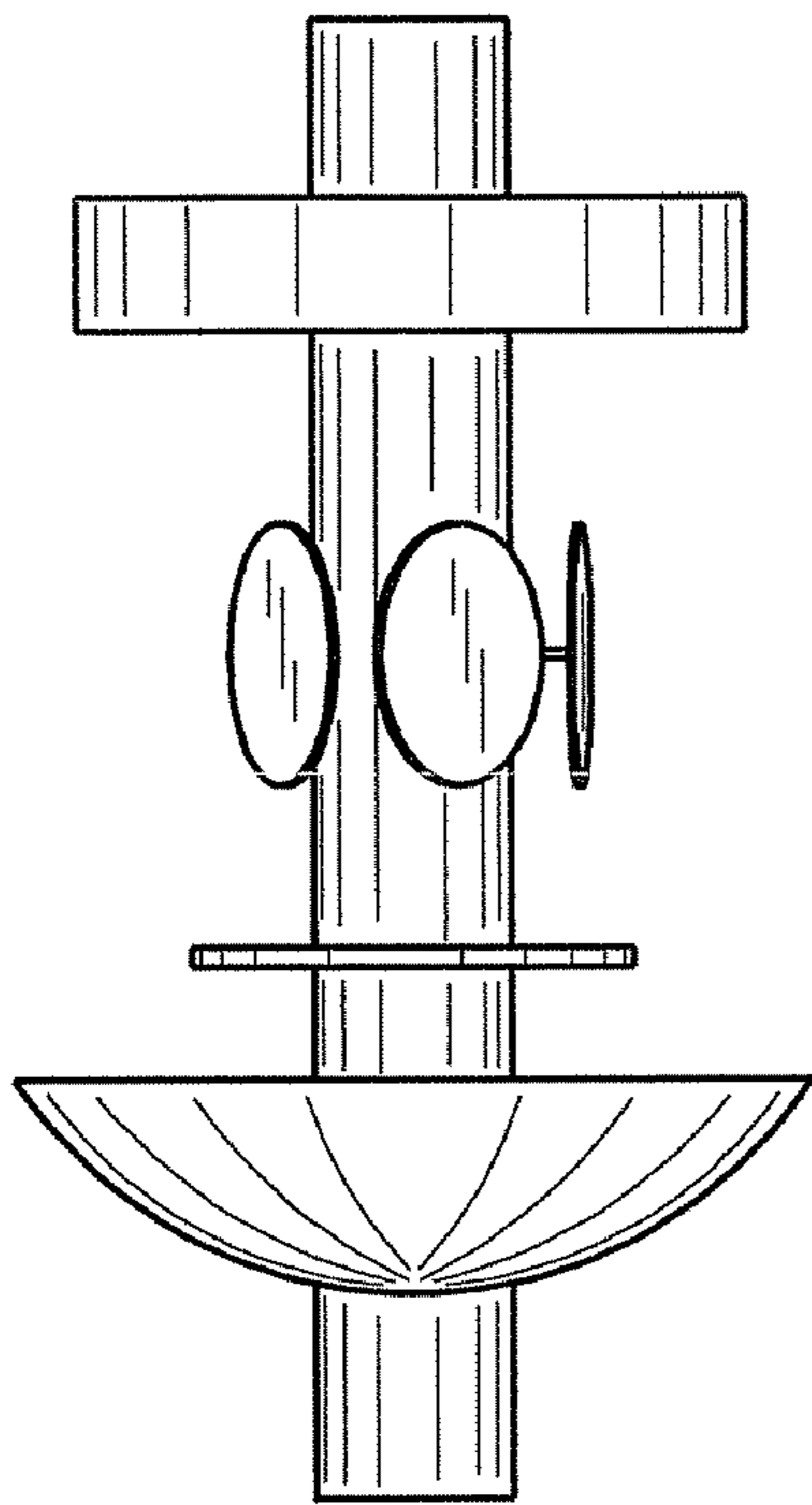


FIG. 4

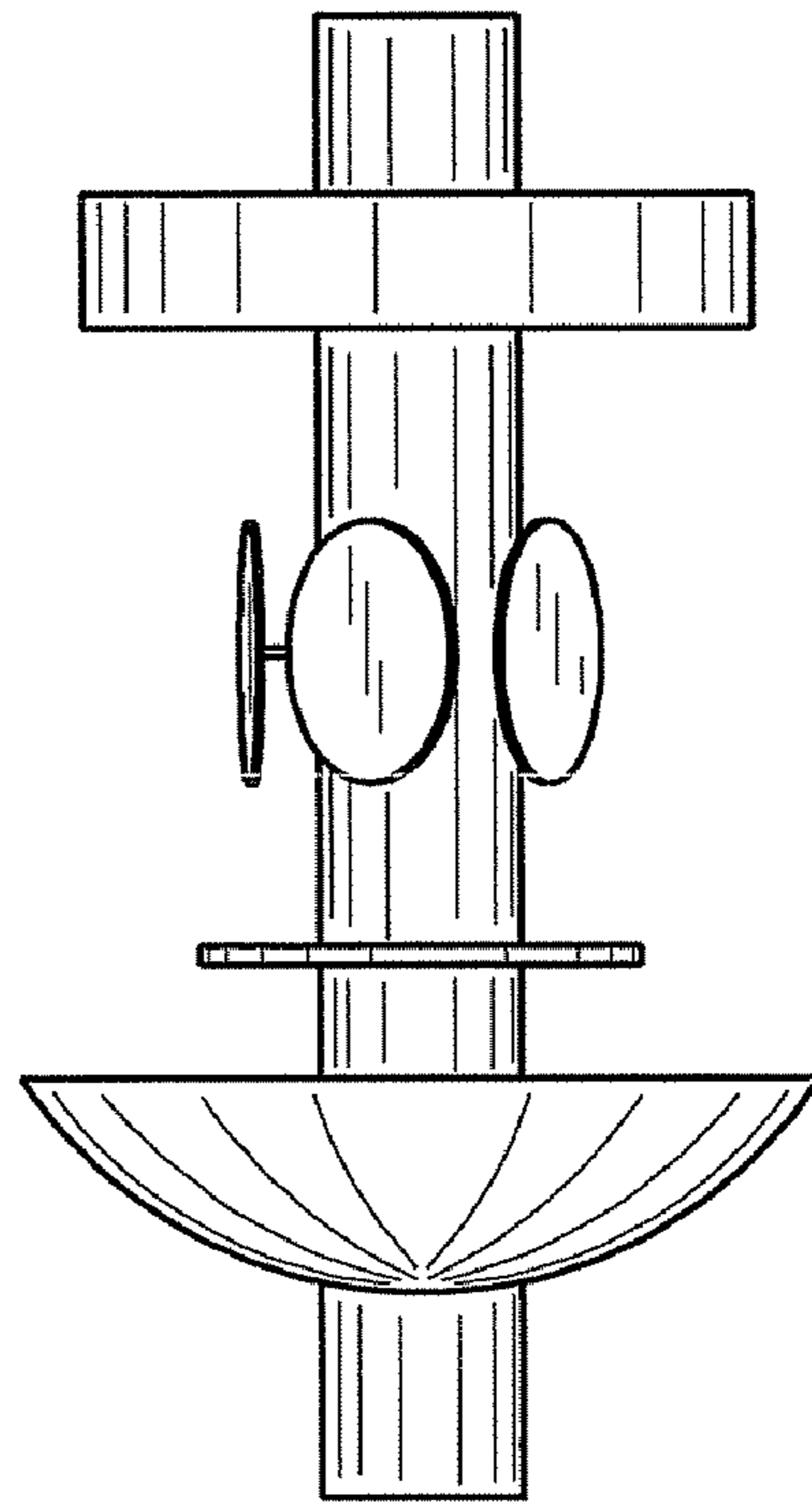


FIG. 5

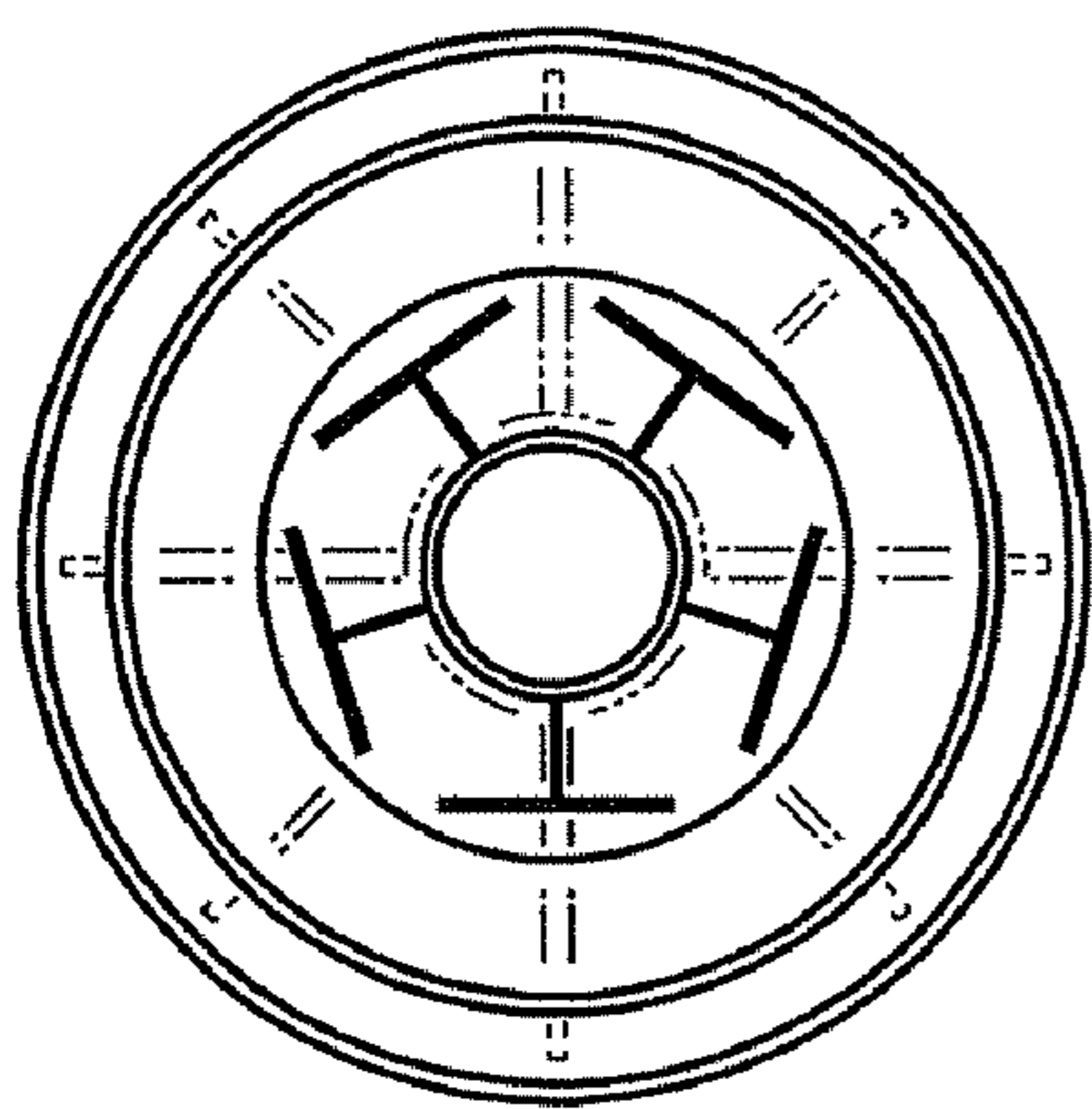


FIG. 6

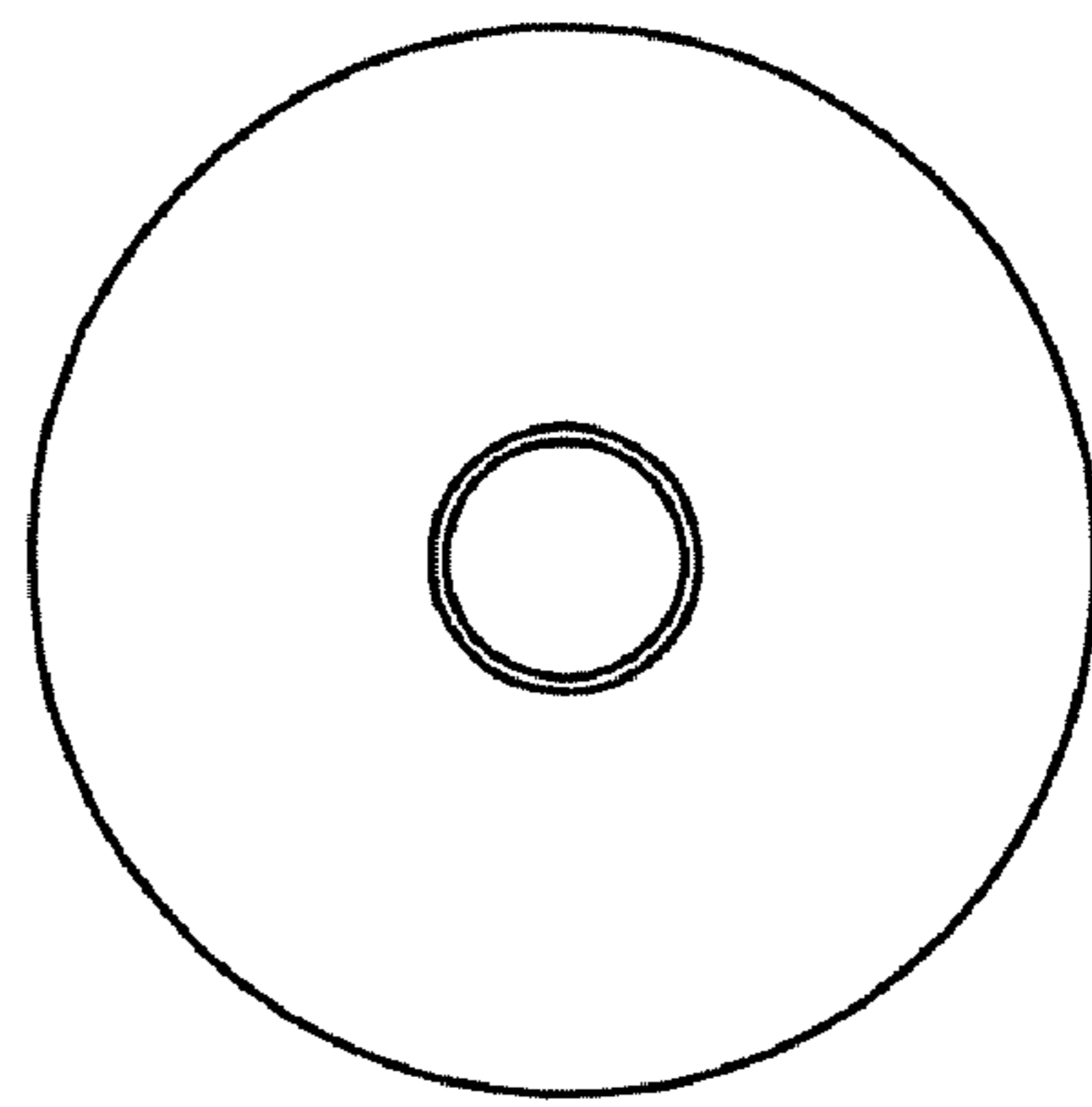


FIG. 7

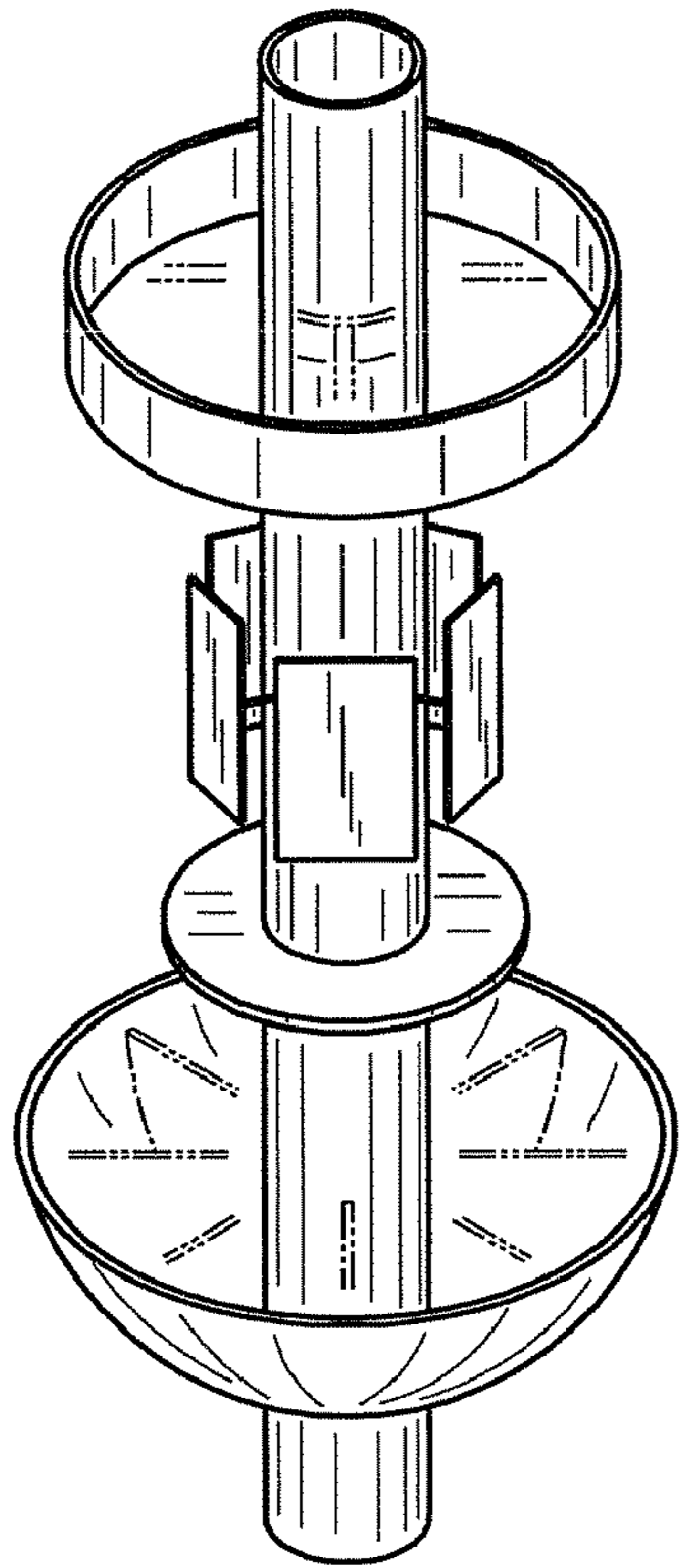


FIG. 8

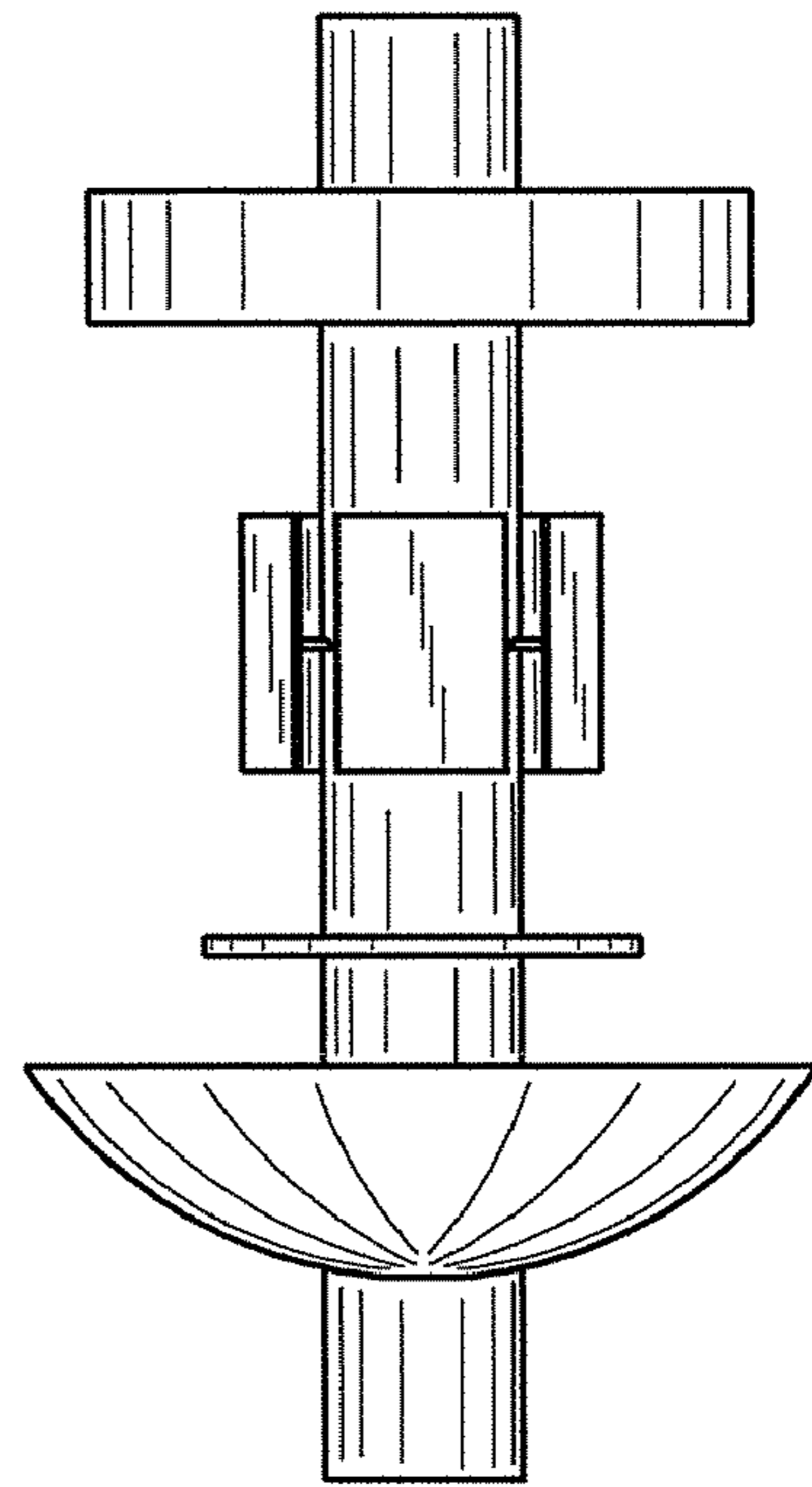


FIG. 9

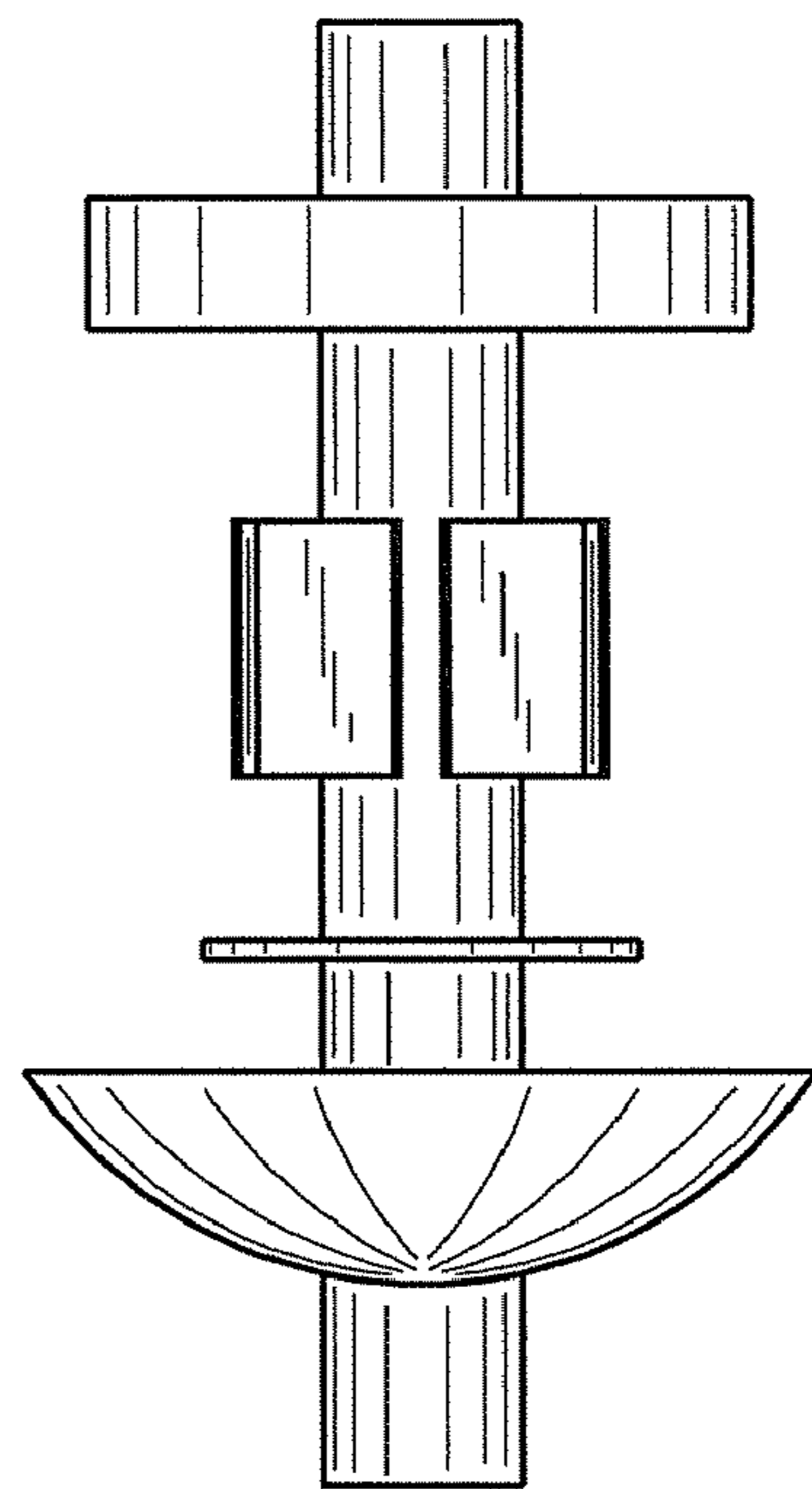


FIG. 10

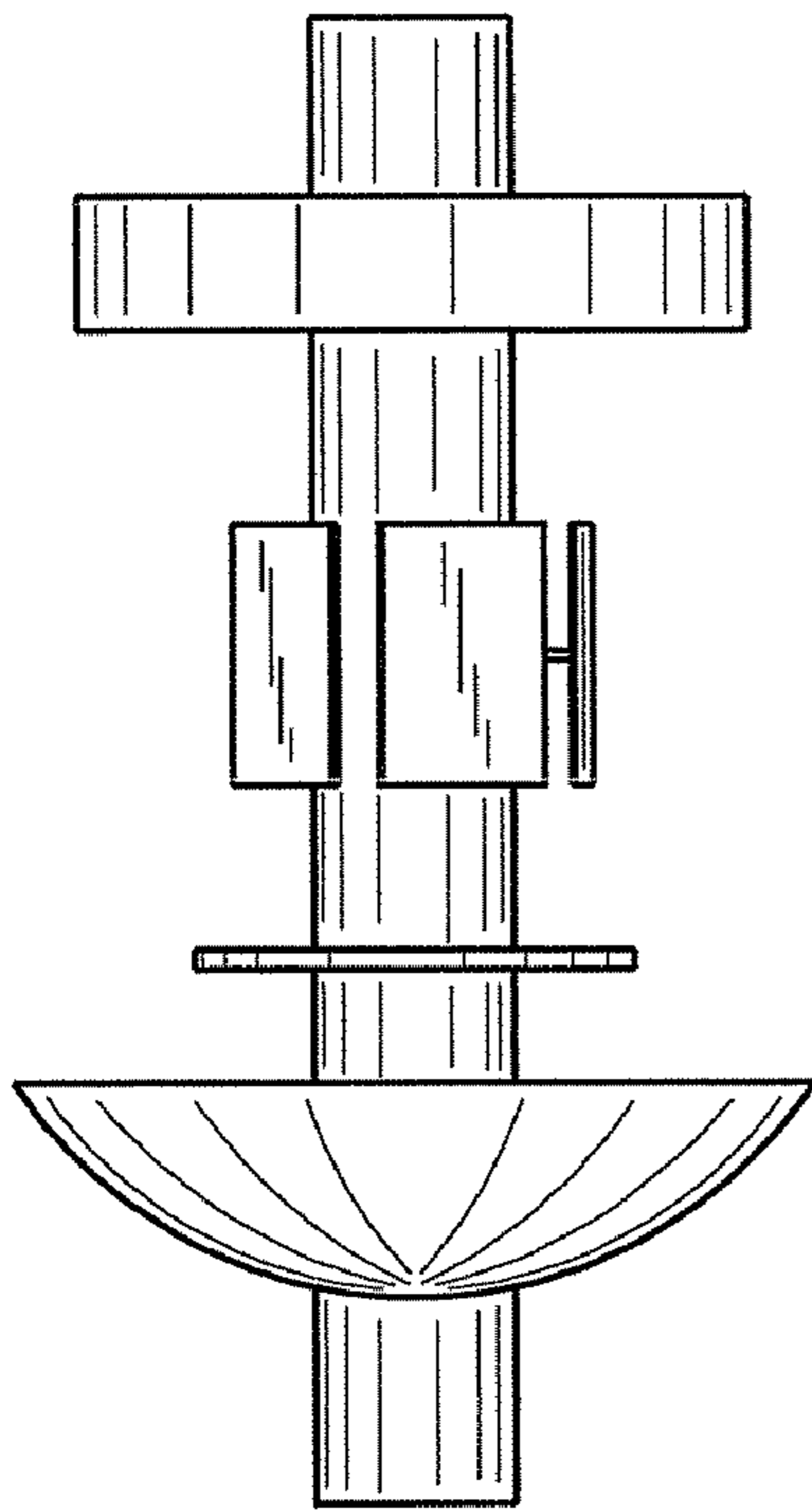


FIG. 11

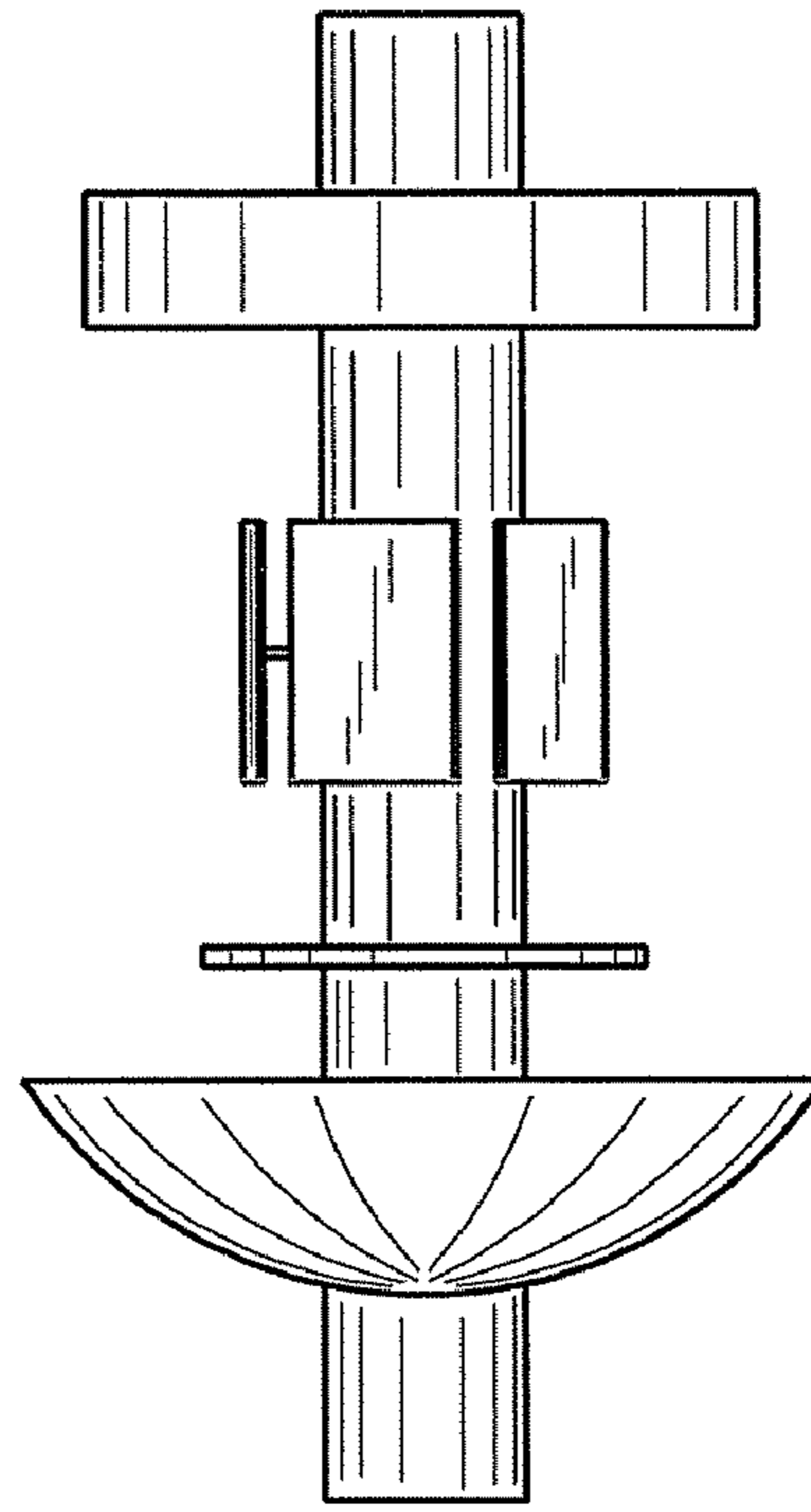


FIG. 12

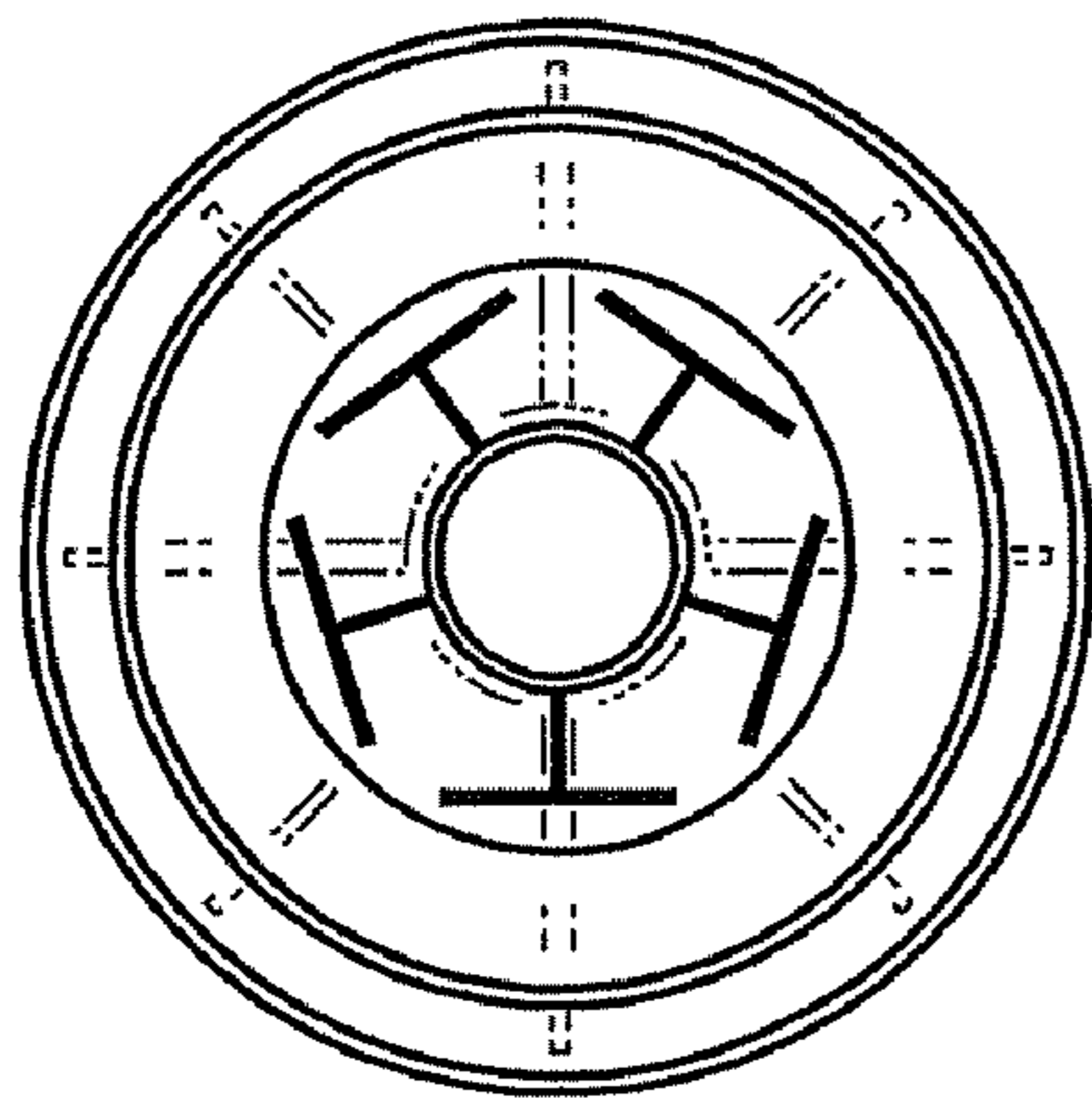


FIG. 13

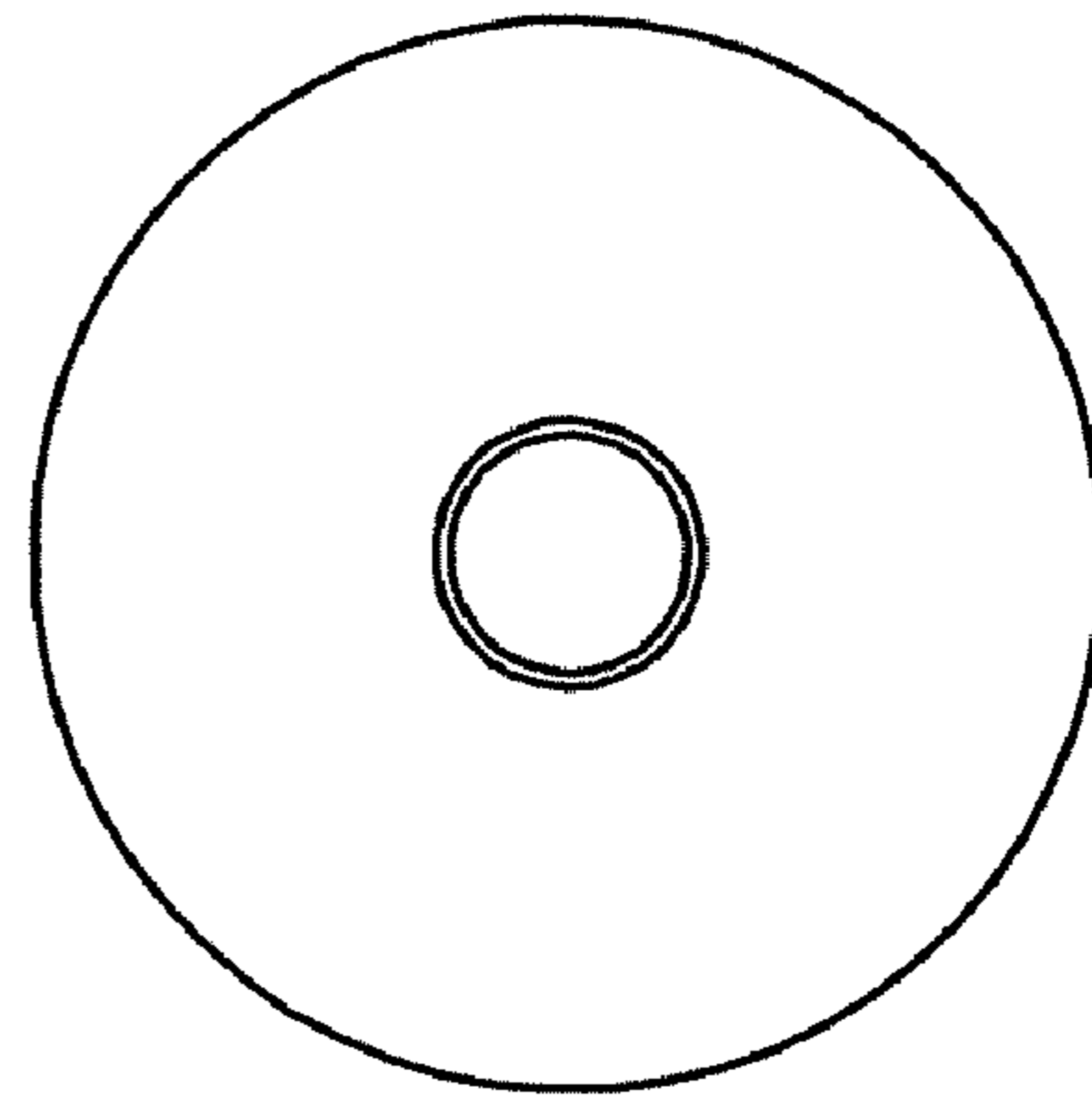


FIG. 14