



US00D606776S

(12) **United States Design Patent**
Zubyk

(10) **Patent No.:** **US D606,776 S**

(45) **Date of Patent:** **** Dec. 29, 2009**

(54) **UMBRELLA HOLDER AND SHOVEL COMBINATION**

(75) Inventor: **Chris Zubyk**, Malvern, PA (US)

(73) Assignee: **Christopher Zubyk**, Malvern, PA (US)

(**) Term: **14 Years**

(21) Appl. No.: **29/325,311**

(22) Filed: **Sep. 29, 2008**

Related U.S. Application Data

(63) Continuation of application No. 11/366,714, filed on Mar. 2, 2006, now abandoned.

(51) **LOC (9) Cl.** **06-04**

(52) **U.S. Cl.** **D6/417**

(58) **Field of Classification Search** D6/511,
D6/416, 417; D8/10; 248/156; 37/265;
294/54.5

See application file for complete search history.

(56) **References Cited**

U.S. PATENT DOCUMENTS

993,015	A	5/1911	Bengtsson	
2,628,797	A	2/1953	Campomar	
D200,244	S	* 2/1965	Yates	D8/10
D233,158	S	* 10/1974	Lowe	D30/162
4,040,214	A	8/1977	Frye	
4,146,969	A	4/1979	Chaires	
4,245,411	A	* 1/1981	McMath	37/265
4,516,799	A	* 5/1985	O'Donnell	294/54.5
4,607,872	A	* 8/1986	Herner	294/54.5
5,056,245	A	* 10/1991	Jenkins et al.	37/265
D322,543	S	* 12/1991	Jenkins et al.	D8/10
D324,148	S	* 2/1992	Dickman	D6/511
5,122,014	A	6/1992	Genfan	
5,271,196	A	12/1993	Fanti	

D364,048	S	* 11/1995	Winslow, Sr.	D6/417
5,878,762	A	3/1999	Huang	
6,036,161	A	3/2000	O'Shea	
D426,757	S	* 6/2000	McGrellis	D8/10
D428,314	S	* 7/2000	St. Jeor	D8/10
6,354,554	B1	3/2002	Hollenbeck	
6,502,257	B1	1/2003	Glenn	
6,715,503	B2	4/2004	Brooks, III	
6,789,555	B1	9/2004	Thomas	
6,889,699	B2	5/2005	Clarke	
6,958,022	B2	10/2005	O'Neill et al.	
7,096,526	B1	8/2006	Ogan	
7,125,060	B2	10/2006	Crutcher	
2002/0113190	A1	8/2002	Berthiaume	
2006/0107979	A1	5/2006	Kim	
2006/0272092	A1	12/2006	Tanner et al.	

* cited by examiner

Primary Examiner—Caron Veynar

Assistant Examiner—Sydney R Buffalow

(74) *Attorney, Agent, or Firm*—Duane Morris LLP

(57) **CLAIM**

The ornamental design for an umbrella holder and shovel combination, as shown and described in the Figures.

DESCRIPTION

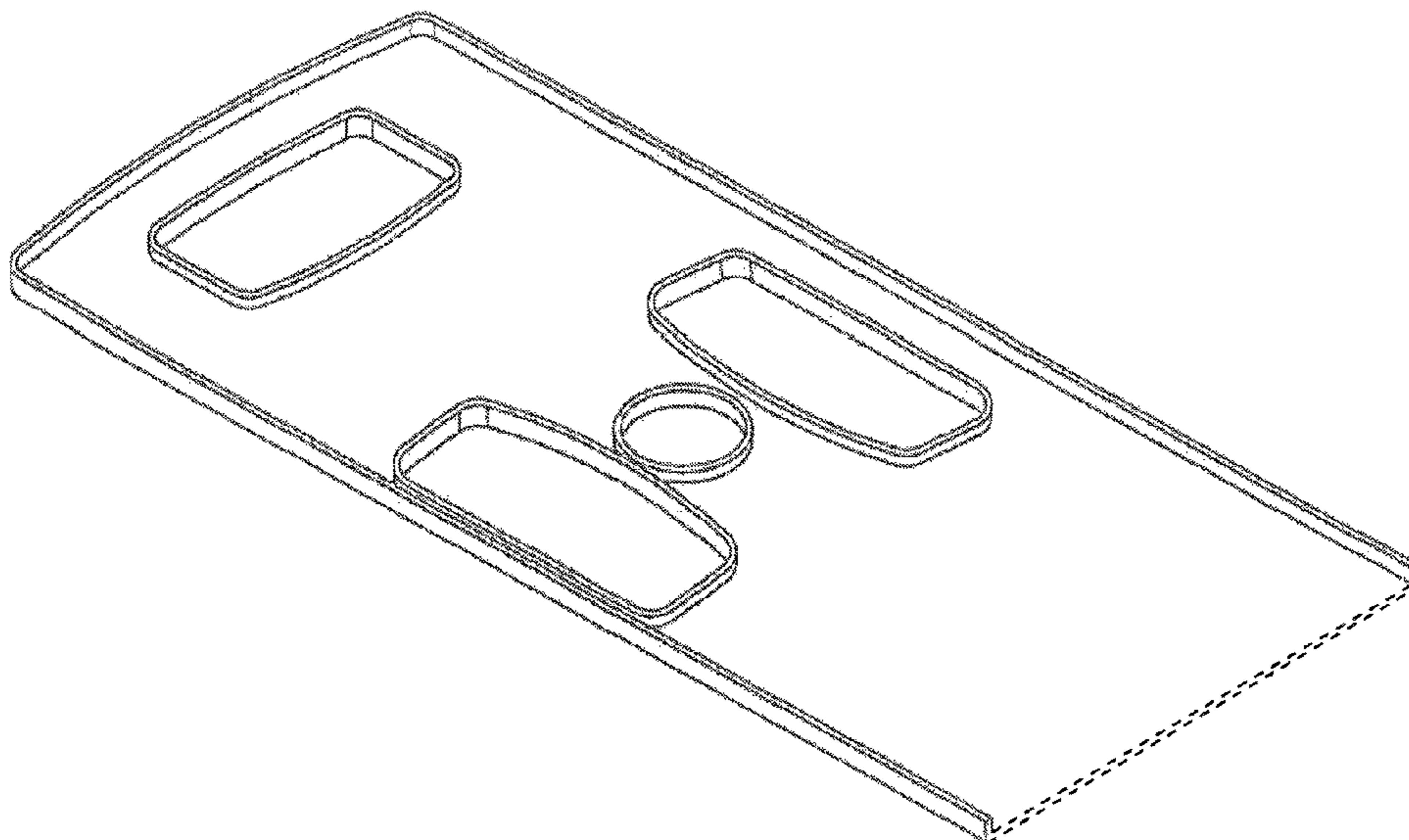
FIG. 1 is a top perspective view an umbrella holder and shovel combination showing my new design, the bottom perspective view being a mirror image thereof;

FIG. 2 is a top plan view of FIG. 1, the bottom plan view being a mirror image thereof; and,

FIG. 3 is a top perspective view of a second embodiment of an umbrella holder and shovel combination, the bottom perspective view being a mirror image thereof.

The broken lines are for the illustrative purposes only and form no part of the claimed design.

1 Claim, 3 Drawing Sheets



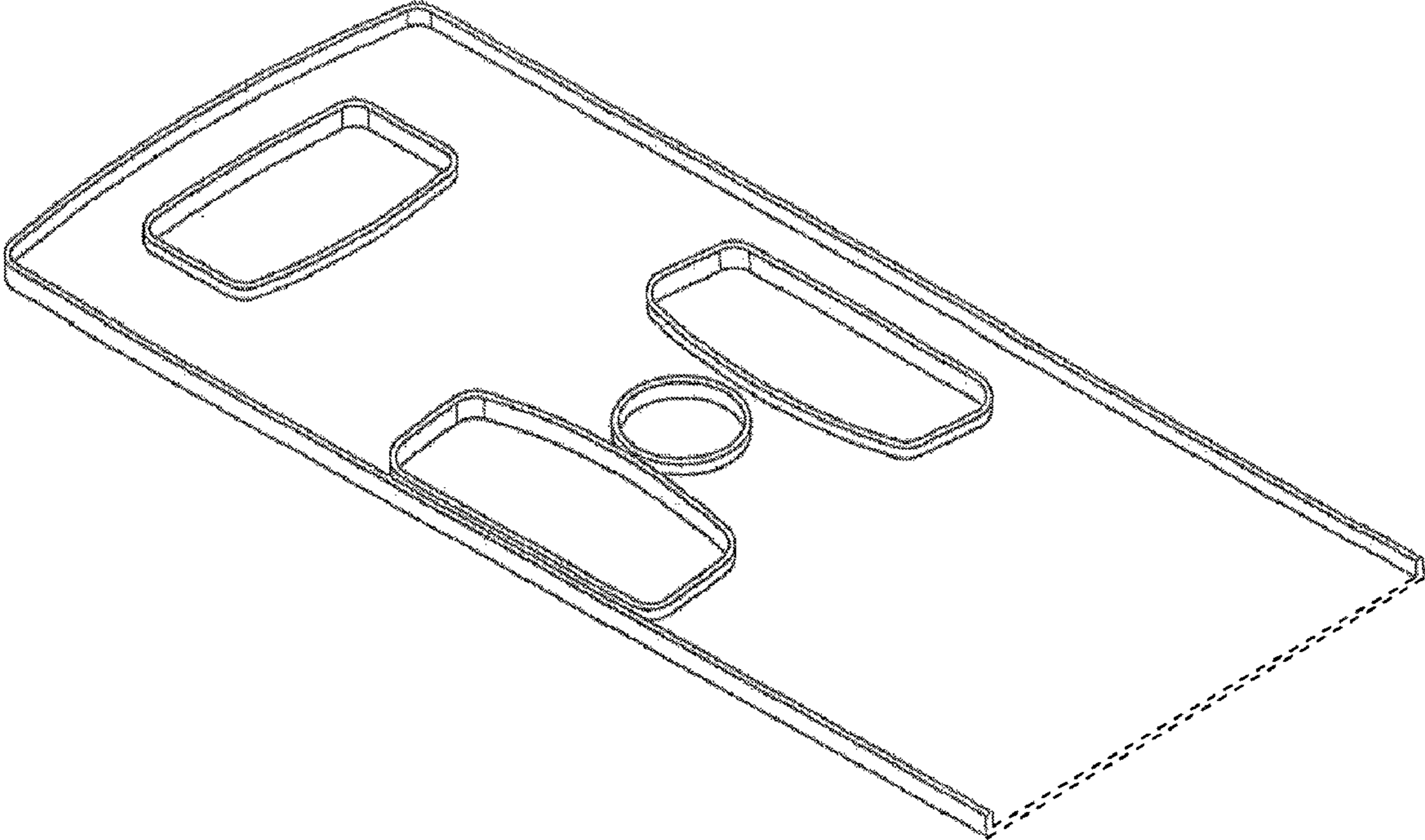


FIG. 1

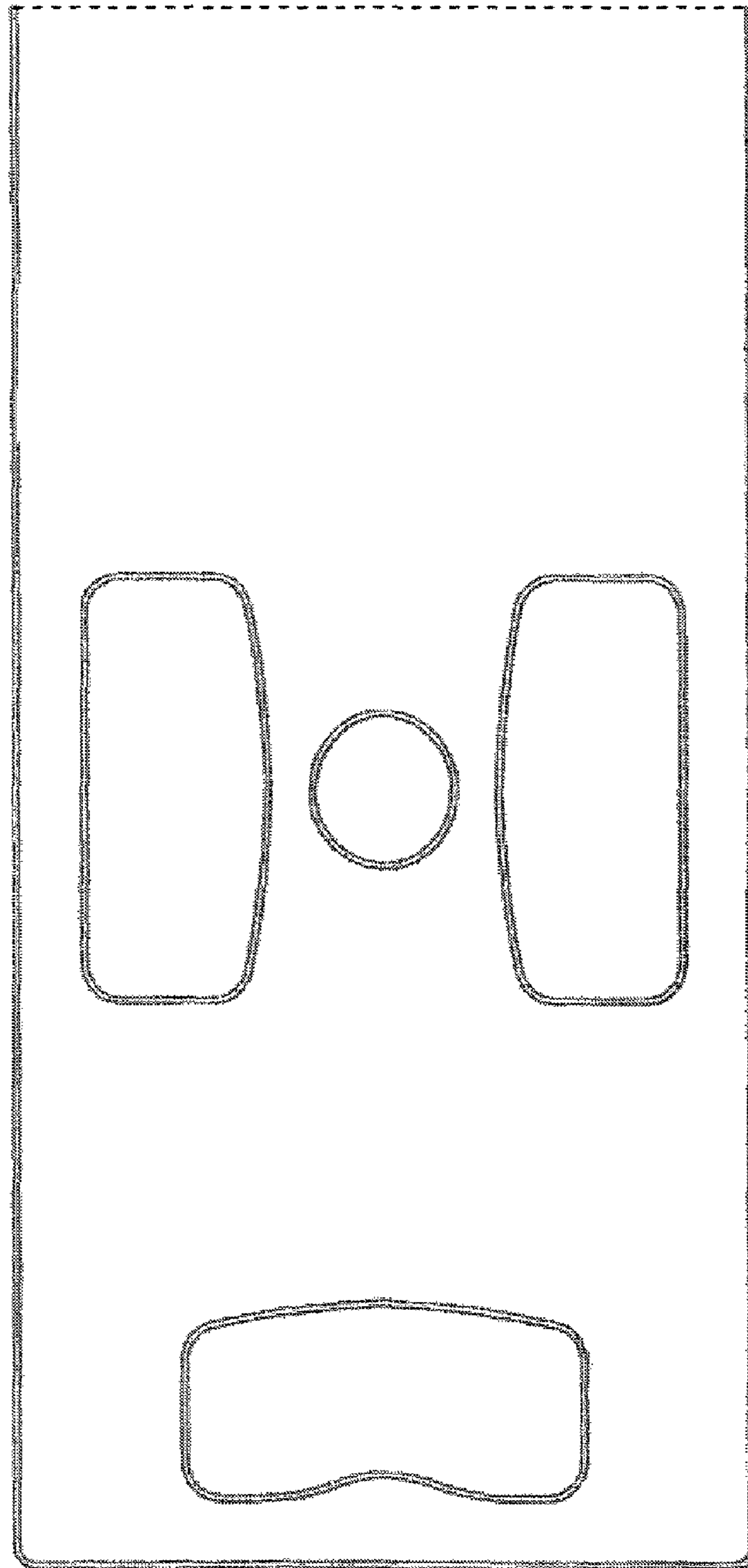


FIG. 2

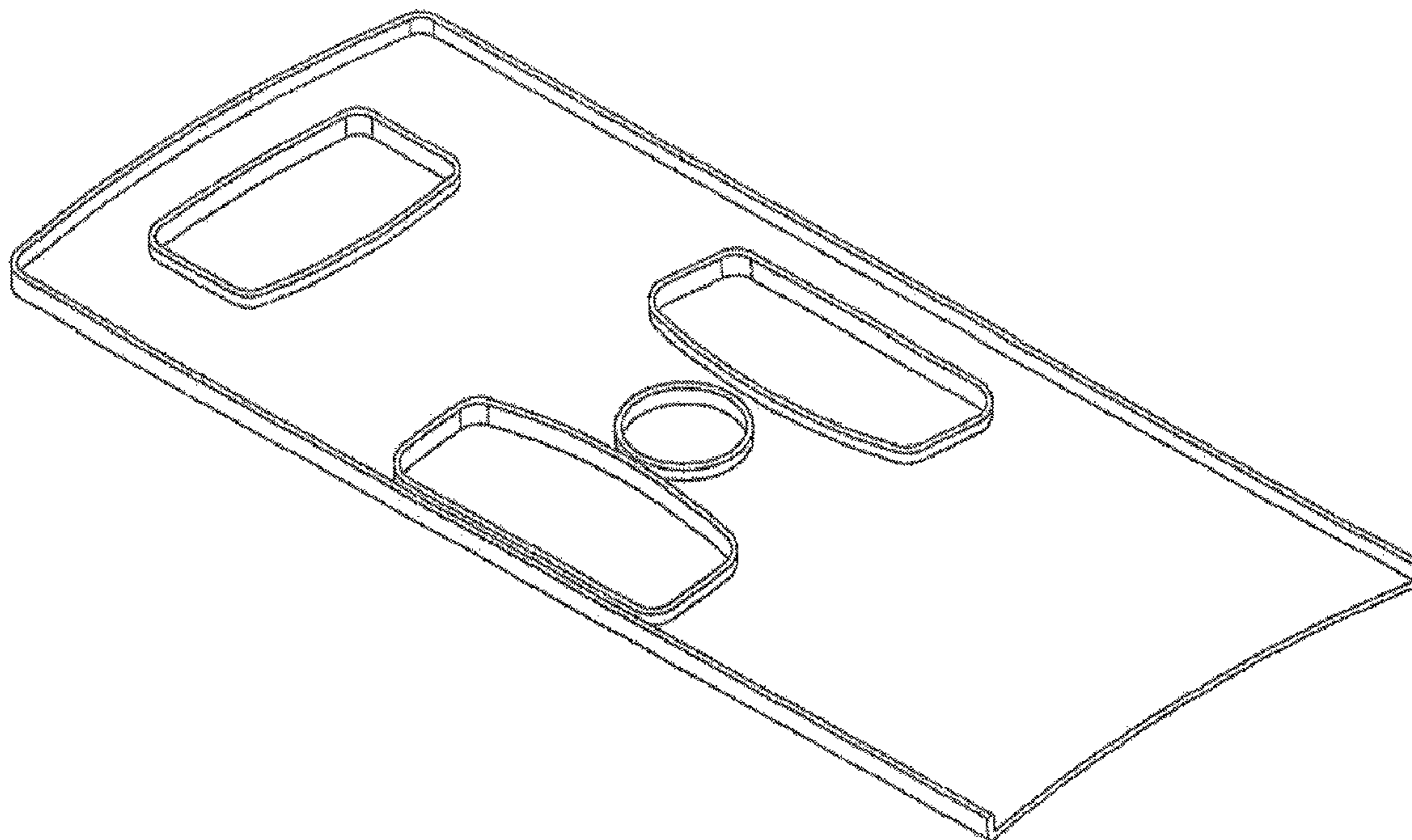


FIG. 3