

US00D606775S

(12) **United States Design Patent**
Hessler

(10) **Patent No.:** **US D606,775 S**

(45) **Date of Patent:** **** Dec. 29, 2009**

(54) **PORTABLE POLE STAND**

(76) **Inventor:** **Steven J. Hessler**, 320 Enos Loomis St.,
Pataskala, OH (US) 43062

(**) **Term:** **14 Years**

(21) **Appl. No.:** **29/233,342**

(22) **Filed:** **Jun. 30, 2005**

(51) **LOC (9) Cl.** **06-04**

(52) **U.S. Cl.** **D6/417**

(58) **Field of Classification Search** D6/462,
D6/409-415, 449, 466, 509, 458, 487, 491,
D6/498, 499; 108/118, 156; 248/121, 153,
248/175, 176.1, 530, 545, 156, 302; D11/124,
D11/131, 148, 164, 60.1, 85.23, 85.31, 112,
D11/126.8, 126.9; 47/904; 135/99, 118;
211/62, 181.1

See application file for complete search history.

(56) **References Cited**

U.S. PATENT DOCUMENTS

- 5,060,893 A * 10/1991 Halbert 248/97
- D344,645 S * 3/1994 Yarbray D6/417
- D368,185 S * 3/1996 Sawyer D6/462
- D389,340 S * 1/1998 Kao D6/462

- D411,722 S * 6/1999 Grimes D8/1
- 6,834,839 B1 * 12/2004 Wilson 248/316.6
- D523,260 S * 6/2006 Sciandra D6/462
- D573,810 S * 7/2008 Huang D6/462
- D587,940 S * 3/2009 Crowley D6/491

* cited by examiner

Primary Examiner—Caron Veynar

Assistant Examiner—Abraham Bahta

(74) *Attorney, Agent, or Firm*—Thomas S. Baker, Jr.

(57) **CLAIM**

The ornamental design for a portable pole stand, as shown and described.

DESCRIPTION

FIG. 1 is a right side view of the portable pole stand showing my new design;

FIG. 2 is a top view thereof;

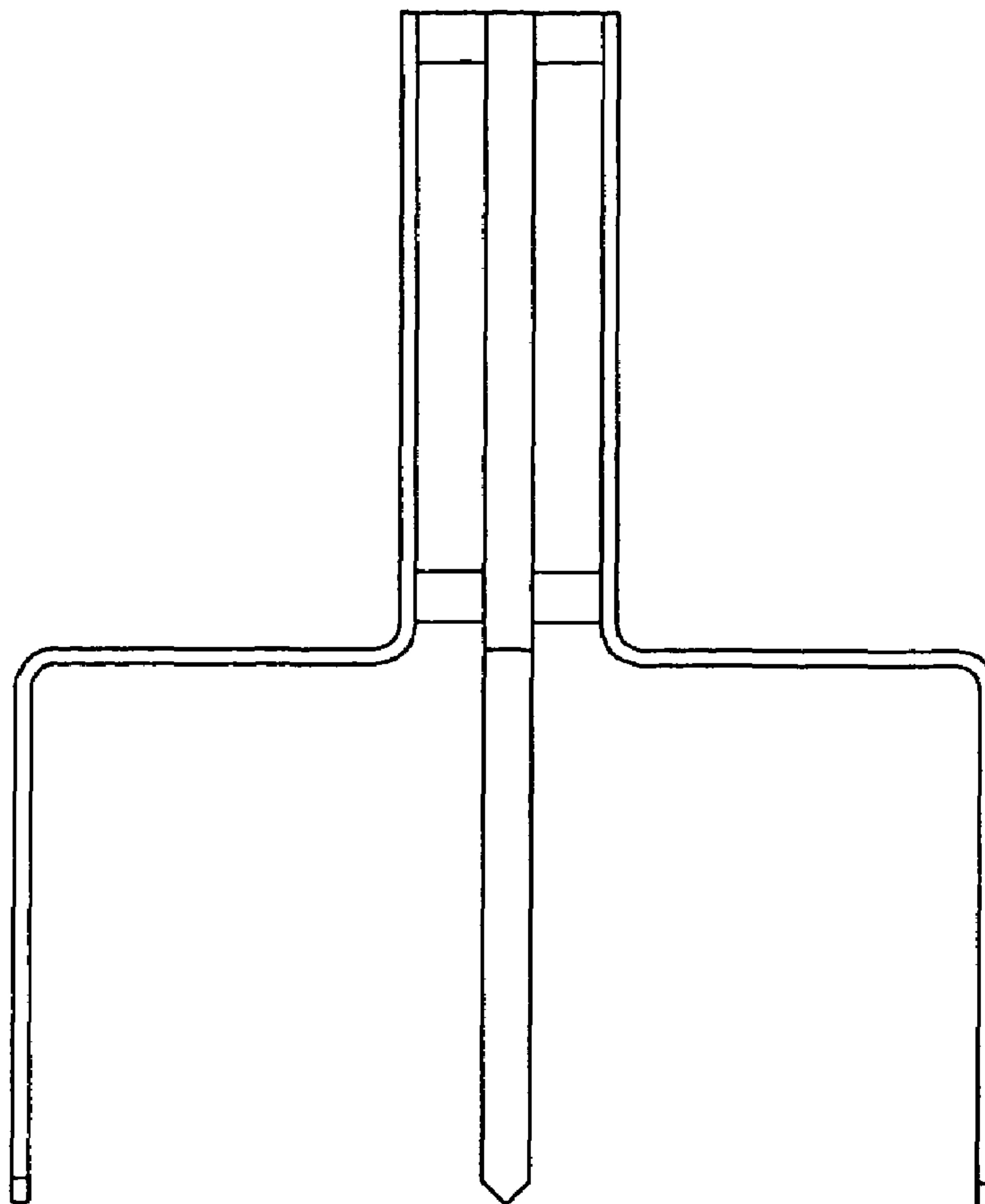
FIG. 3 is a left thereof;

FIG. 4 is a bottom view thereof;

FIG. 5 is a front view thereof; and,

FIG. 6 is a back view thereof.

1 Claim, 3 Drawing Sheets



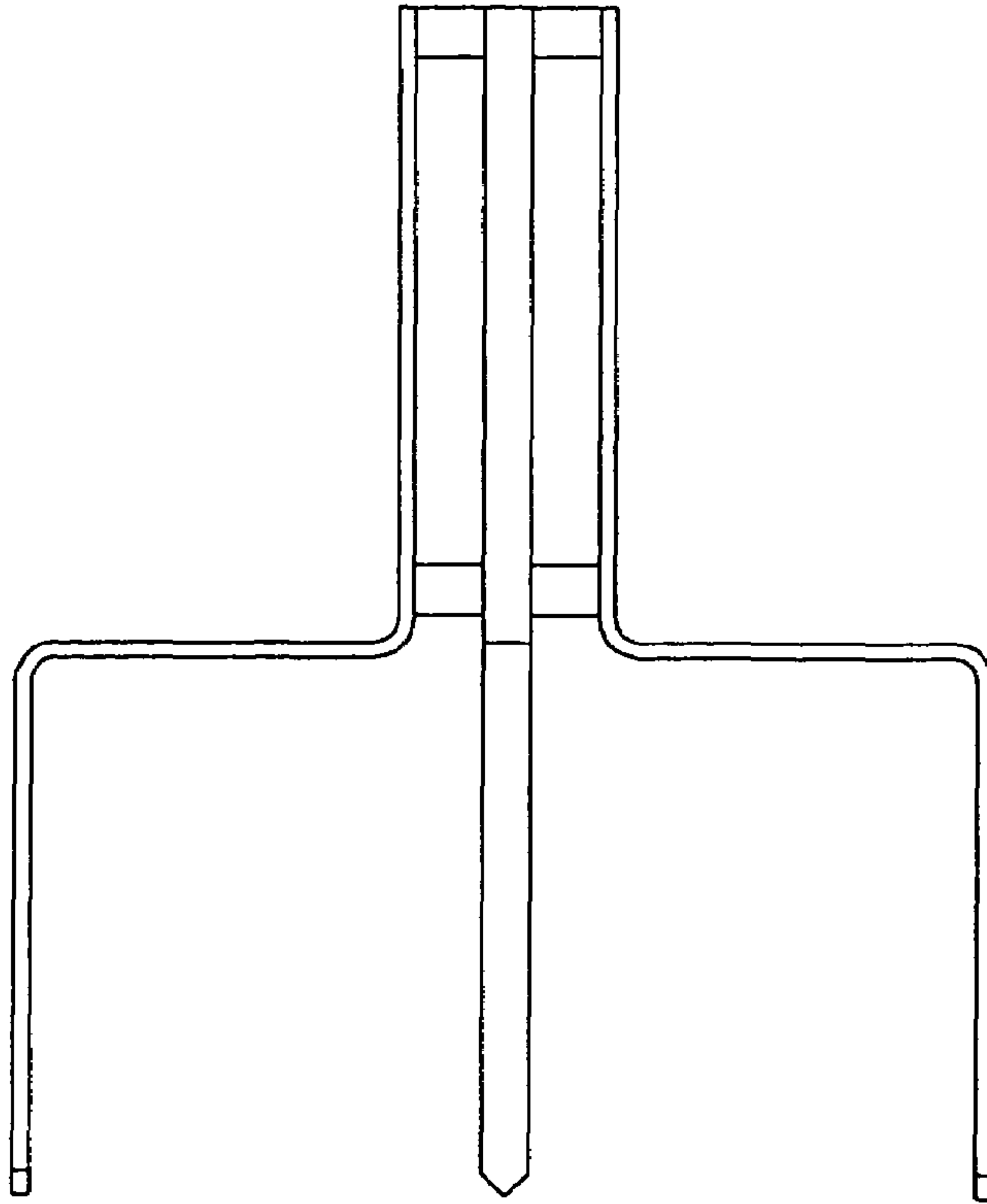


FIG. 1

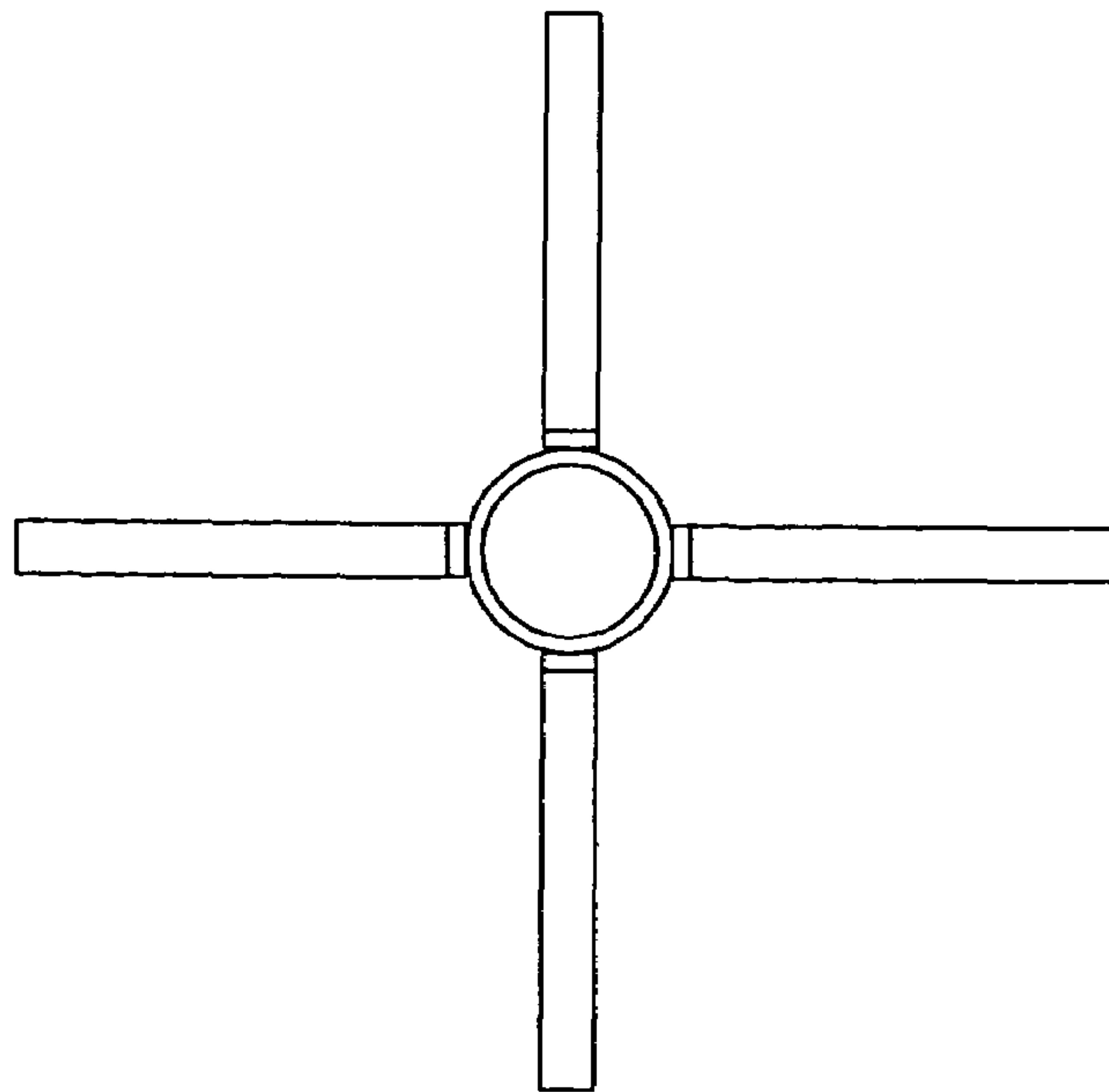


FIG. 2

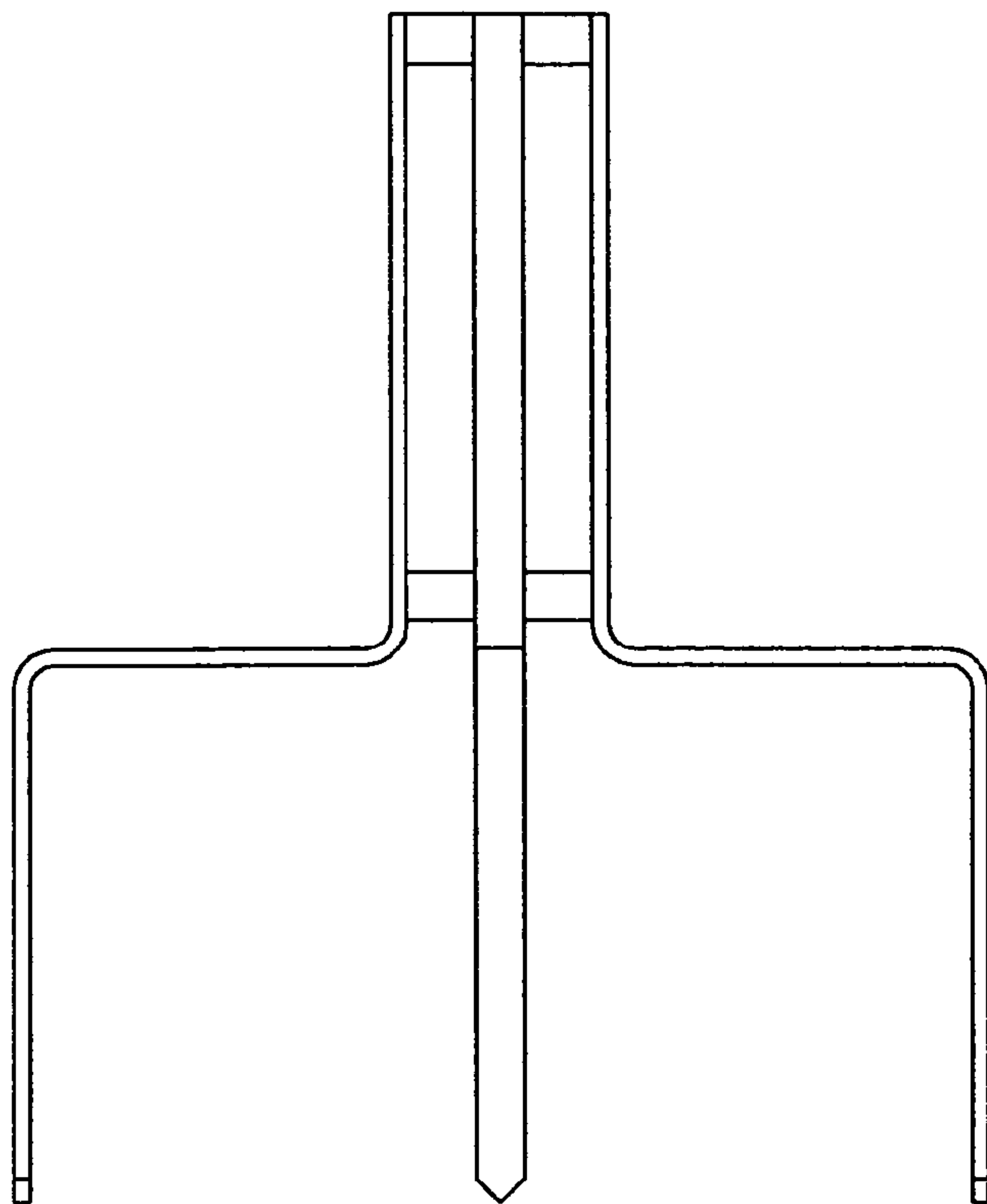


FIG. 3

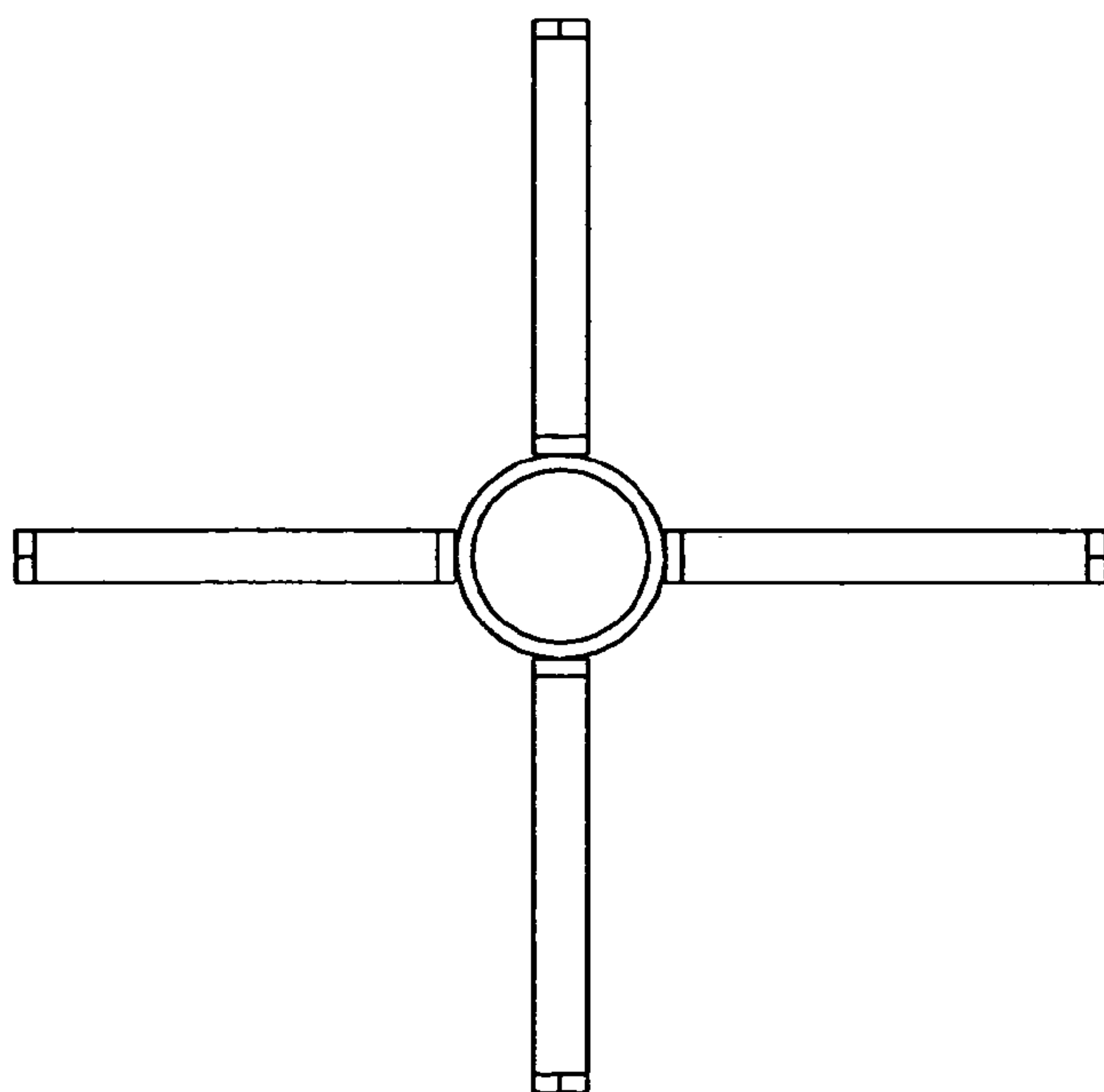


FIG. 4

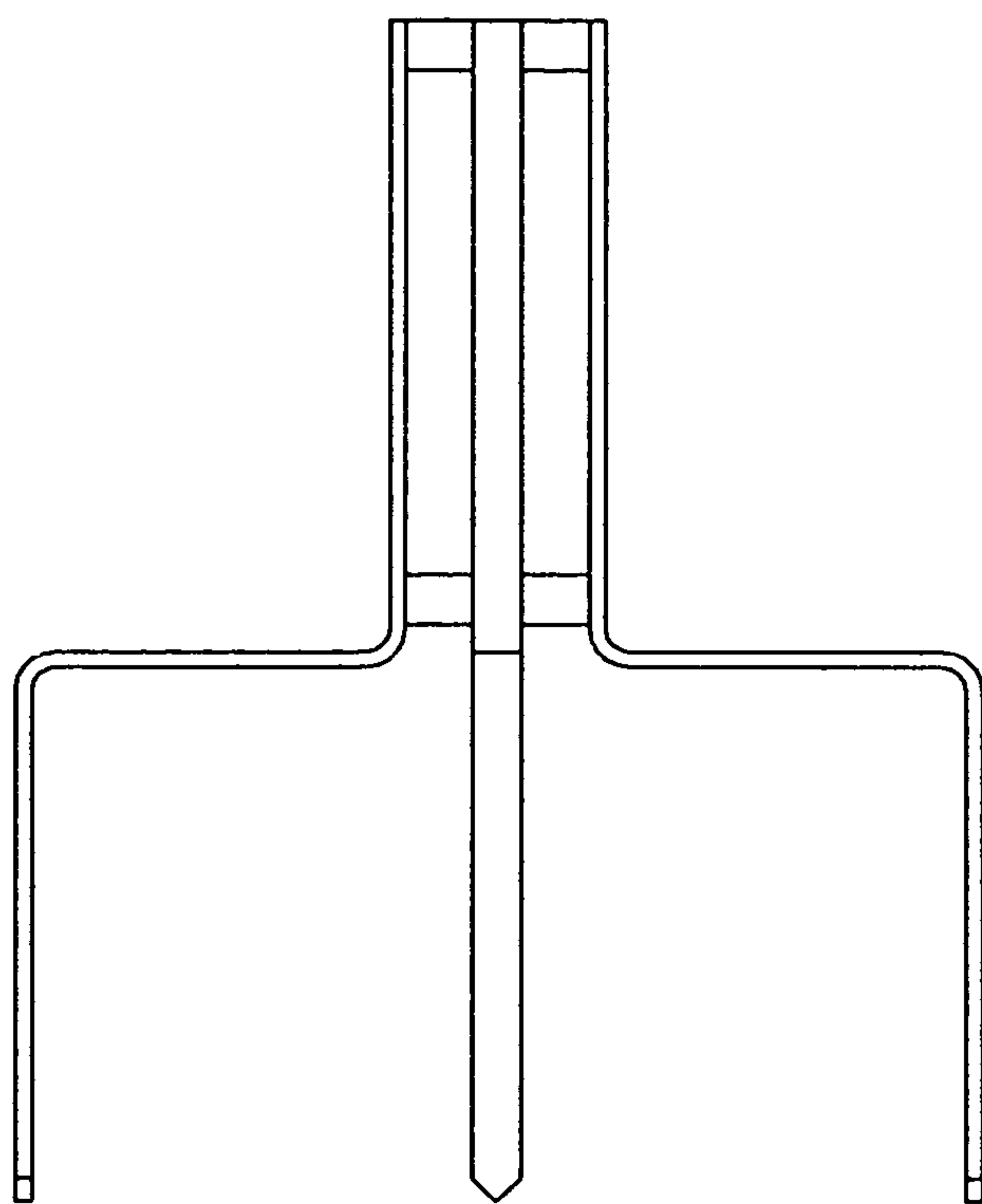


FIG. 5

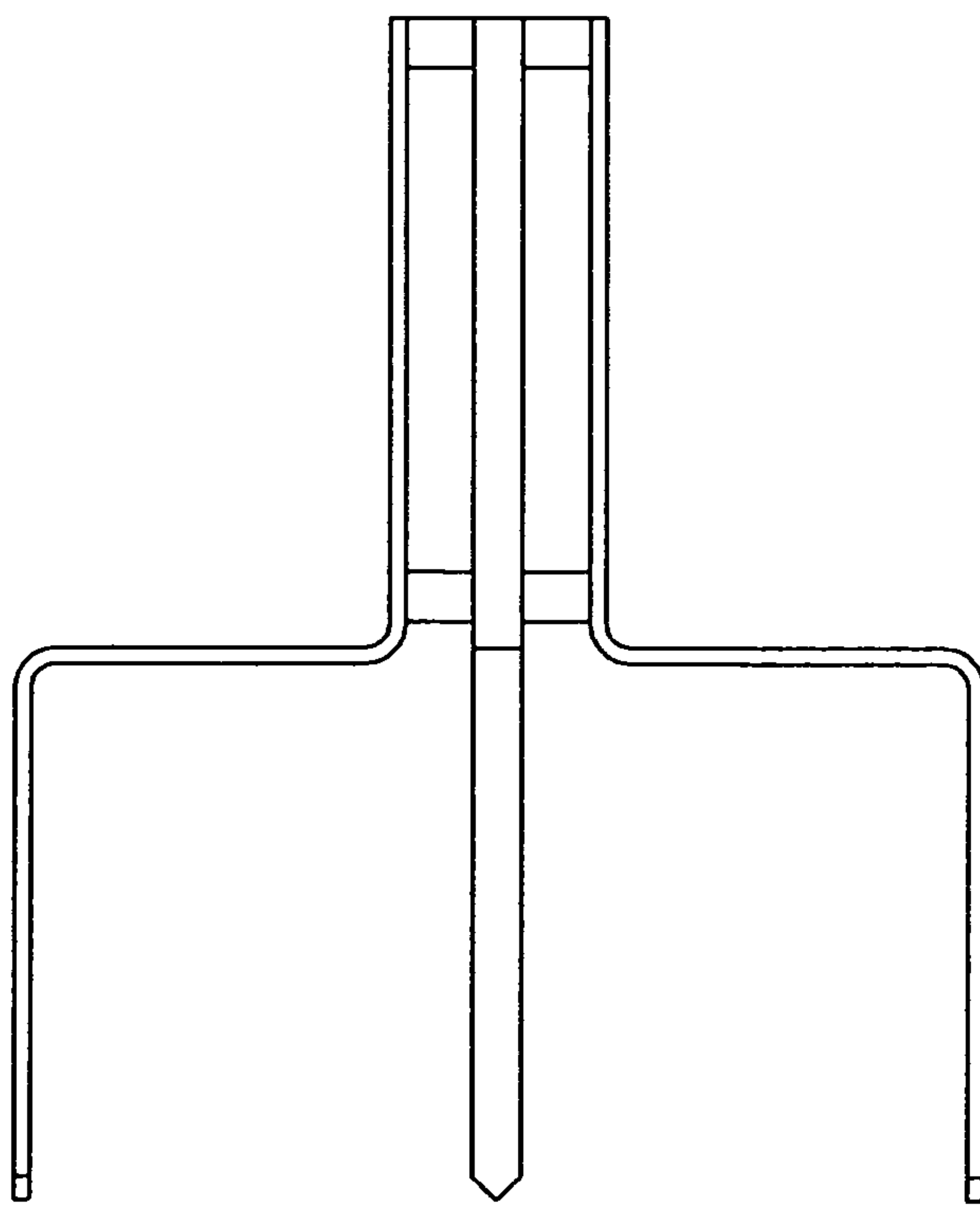


FIG. 6