



US00D606772S

(12) **United States Design Patent**  
**Meade, III et al.**

(10) **Patent No.:** **US D606,772 S**

(45) **Date of Patent:** **\*\* Dec. 29, 2009**

(54) **KIOSK**

(75) Inventors: **Joseph F. Meade, III**, Hammondsport, NY (US); **Gerald L. Keeler**, Bath, NY (US); **Beverly E. McConnell**, Bath, NY (US); **Kevin C. Bailey**, Hammondsport, NY (US); **Matthew Charles Stappenbeck**, Marion, NY (US); **Franklin David Walczak**, Hammondsport, NY (US); **Lynn L. Keeler**, Corning, NY (US); **Ronald L. Dyer**, Bath, NY (US)

(73) Assignee: **Mercury Aircraft, Inc.**, Hammondsport, NY (US)

(\*\*) Term: **14 Years**

(21) Appl. No.: **29/283,275**

(22) Filed: **Aug. 9, 2007**

(51) **LOC (9) Cl.** ..... **06-04**

(52) **U.S. Cl.** ..... **D6/396**

(58) **Field of Classification Search** ..... D6/396-397, D6/470, 457-458; D99/28; 211/182, 43, 211/49.1, 13.1, 87.01

See application file for complete search history.

(56) **References Cited**

**U.S. PATENT DOCUMENTS**

D243,300 S \* 2/1977 Christensen ..... D6/421  
D270,583 S \* 9/1983 Elliott et al. .... D99/28  
D297,987 S \* 10/1988 Borsos ..... D6/420

D354,832 S \* 1/1995 D'Agostino ..... D99/35  
D376,402 S \* 12/1996 Barrett ..... D21/785  
D393,958 S \* 5/1998 Moncourtois et al. .... D6/444  
D479,060 S \* 9/2003 Wetzel ..... D6/469  
D526,511 S \* 8/2006 Cravens et al. .... D6/470  
D530,113 S \* 10/2006 Cravens et al. .... D6/397  
D584,537 S \* 1/2009 Cuzzocrea ..... D6/458

\* cited by examiner

*Primary Examiner*—Elizabeth A Albert  
*Assistant Examiner*—Kelley A Donnelly  
(74) *Attorney, Agent, or Firm*—Brian D. Shaw, Esq.; Jodi A. Reynolds, Esq.; Harter Secrest & Emery LLP

(57) **CLAIM**

We claim the ornamental design for a kiosk, as shown and described.

**DESCRIPTION**

FIG. 1 is a perspective view of a kiosk showing my new design;

FIG. 2 is a front elevational view thereof;

FIG. 3 is a right side elevational view thereof;

FIG. 4 is a rear elevational view thereof;

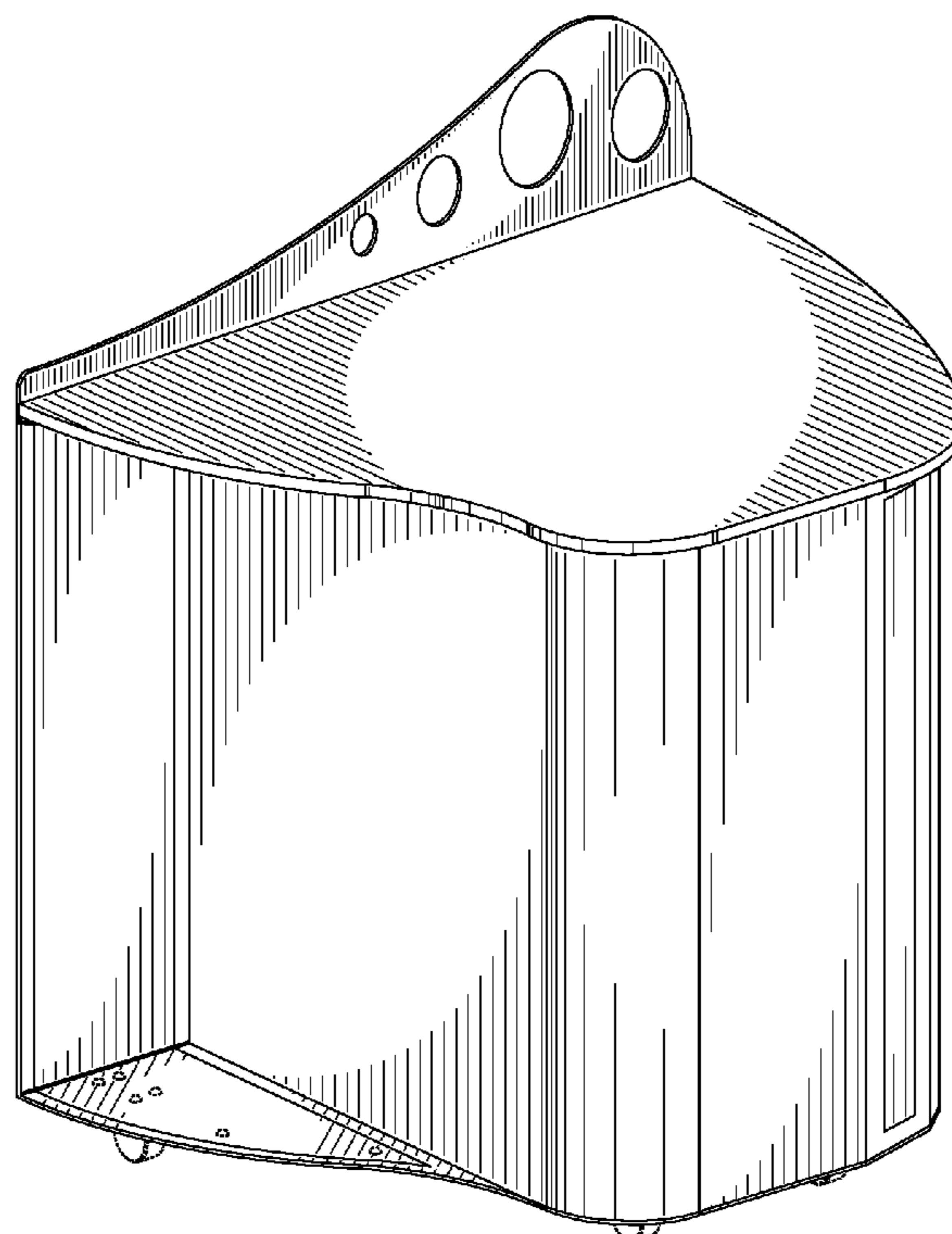
FIG. 5 is a left side elevational view thereof;

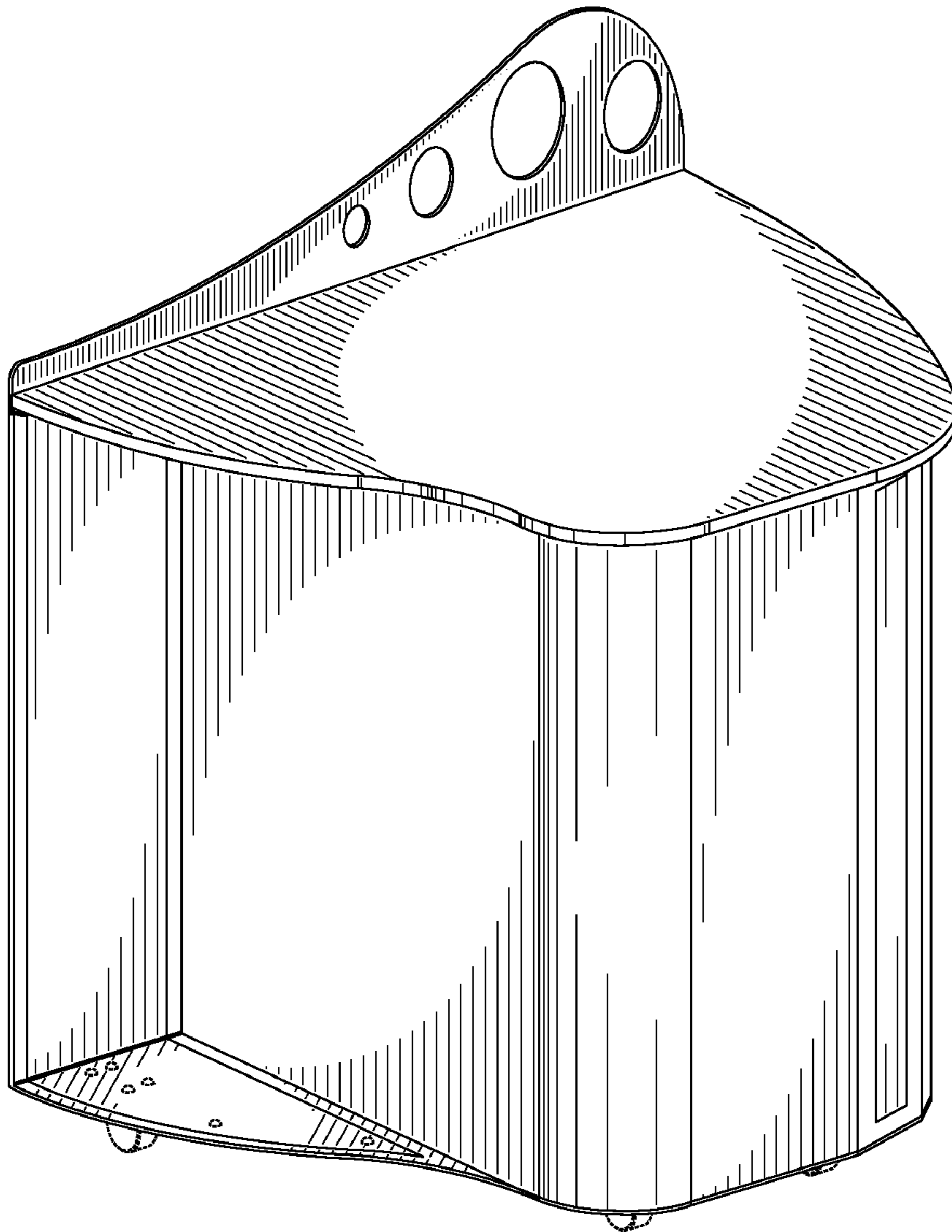
FIG. 6 is a top plan view thereof; and,

FIG. 7 is a bottom plan view thereof.

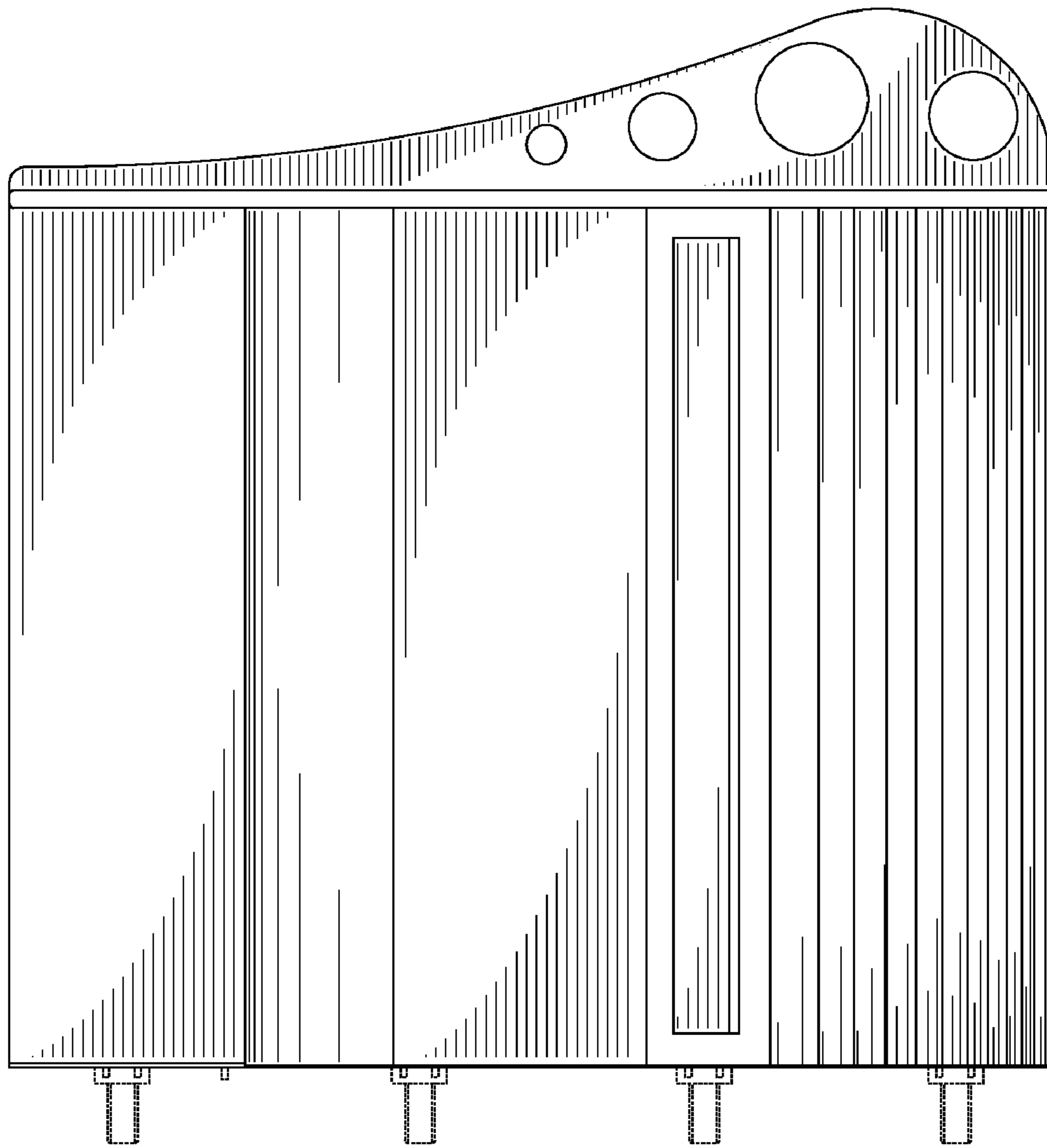
The broken lines are for environmental purposes only and form no part of the claimed design.

**1 Claim, 7 Drawing Sheets**

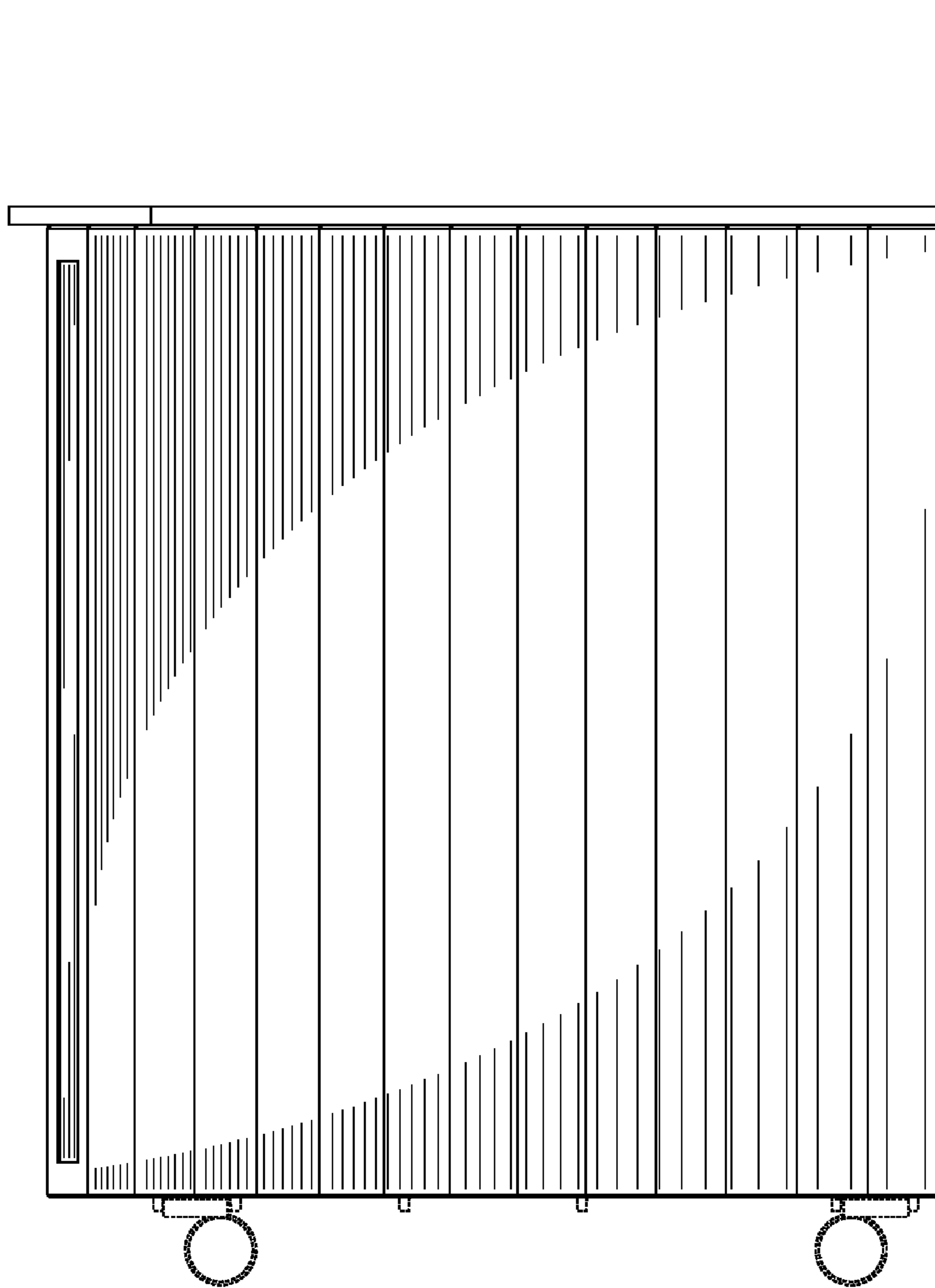




**FIG. 1**



**FIG. 2**



**FIG. 3**

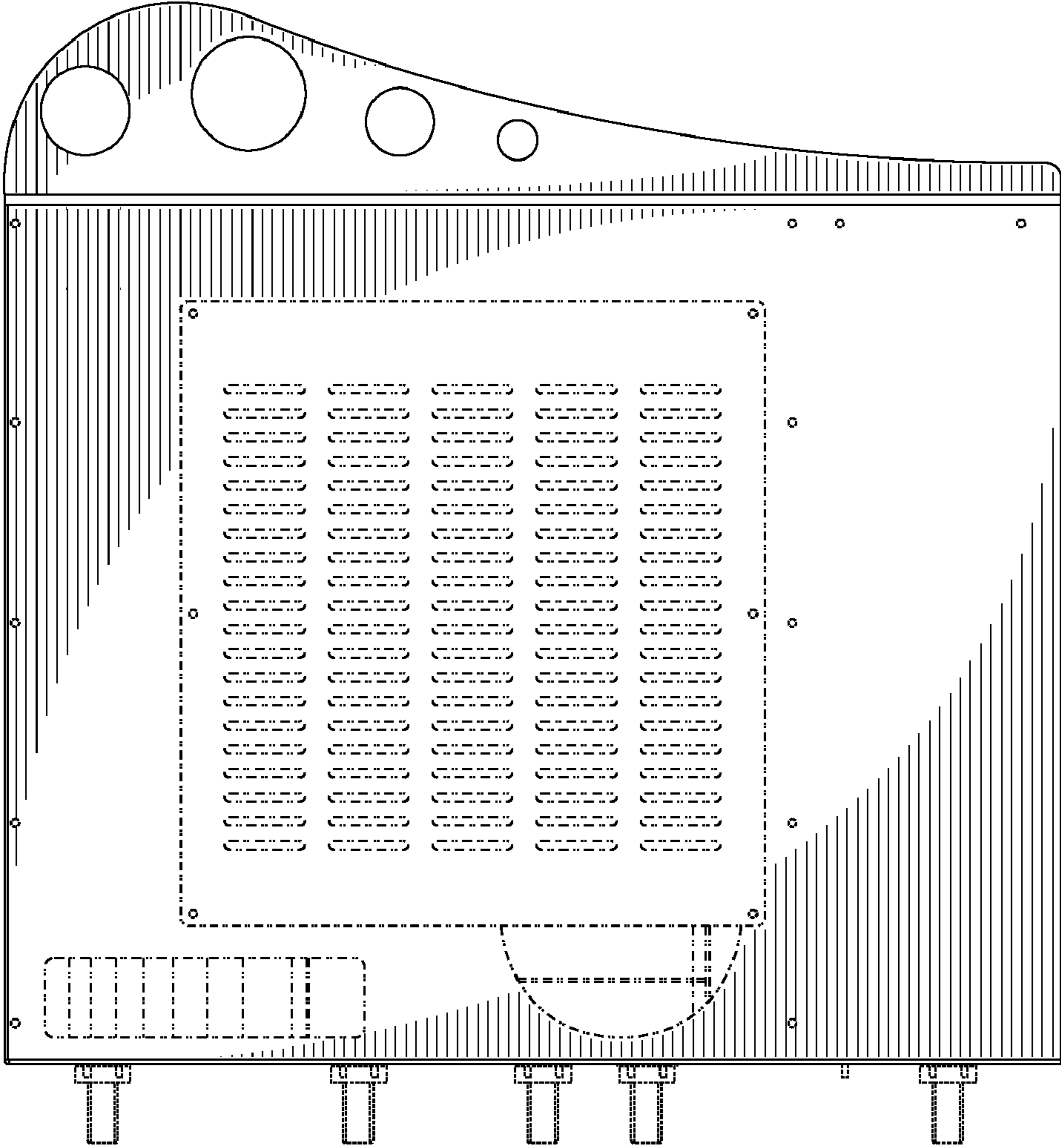
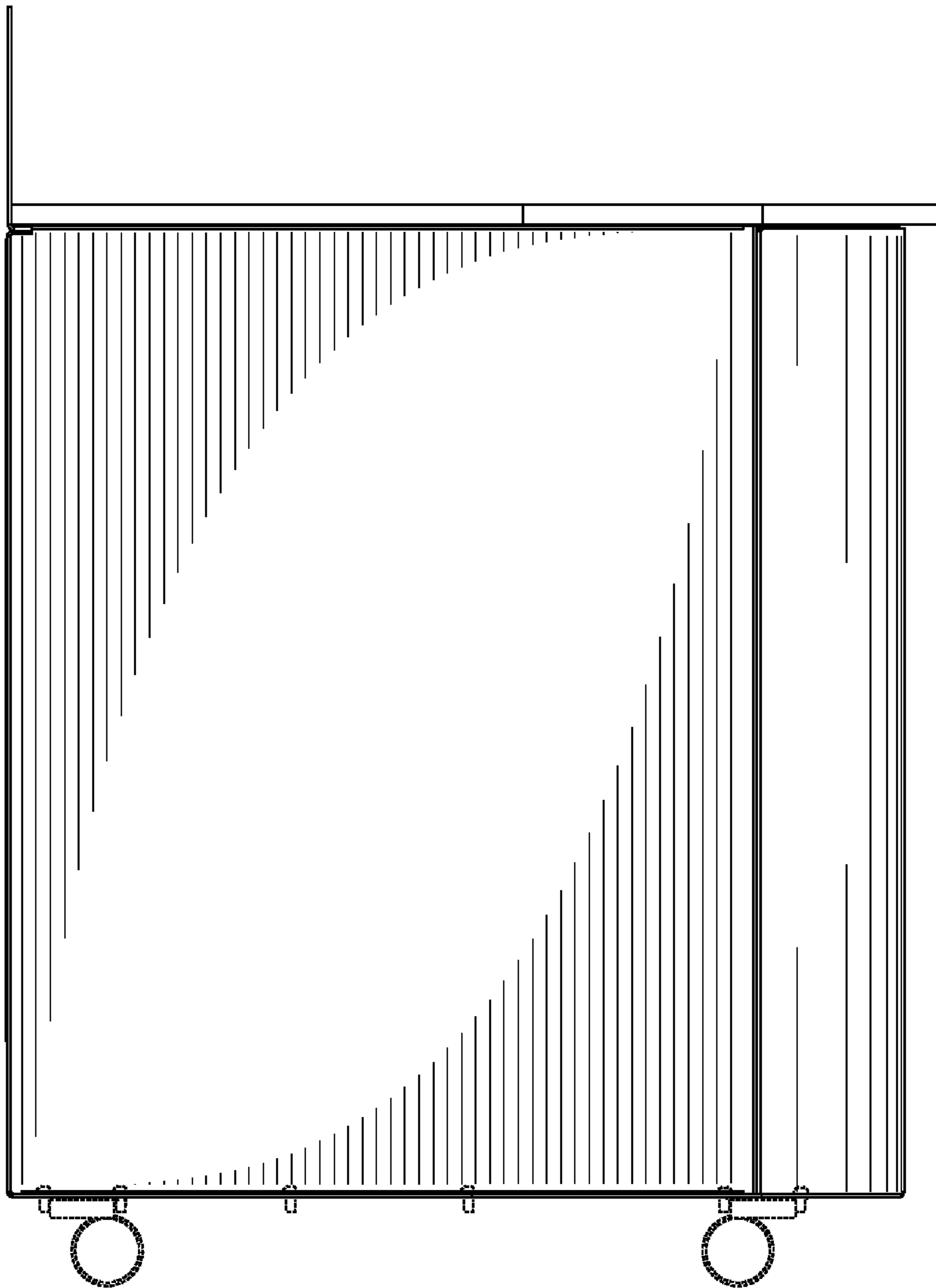
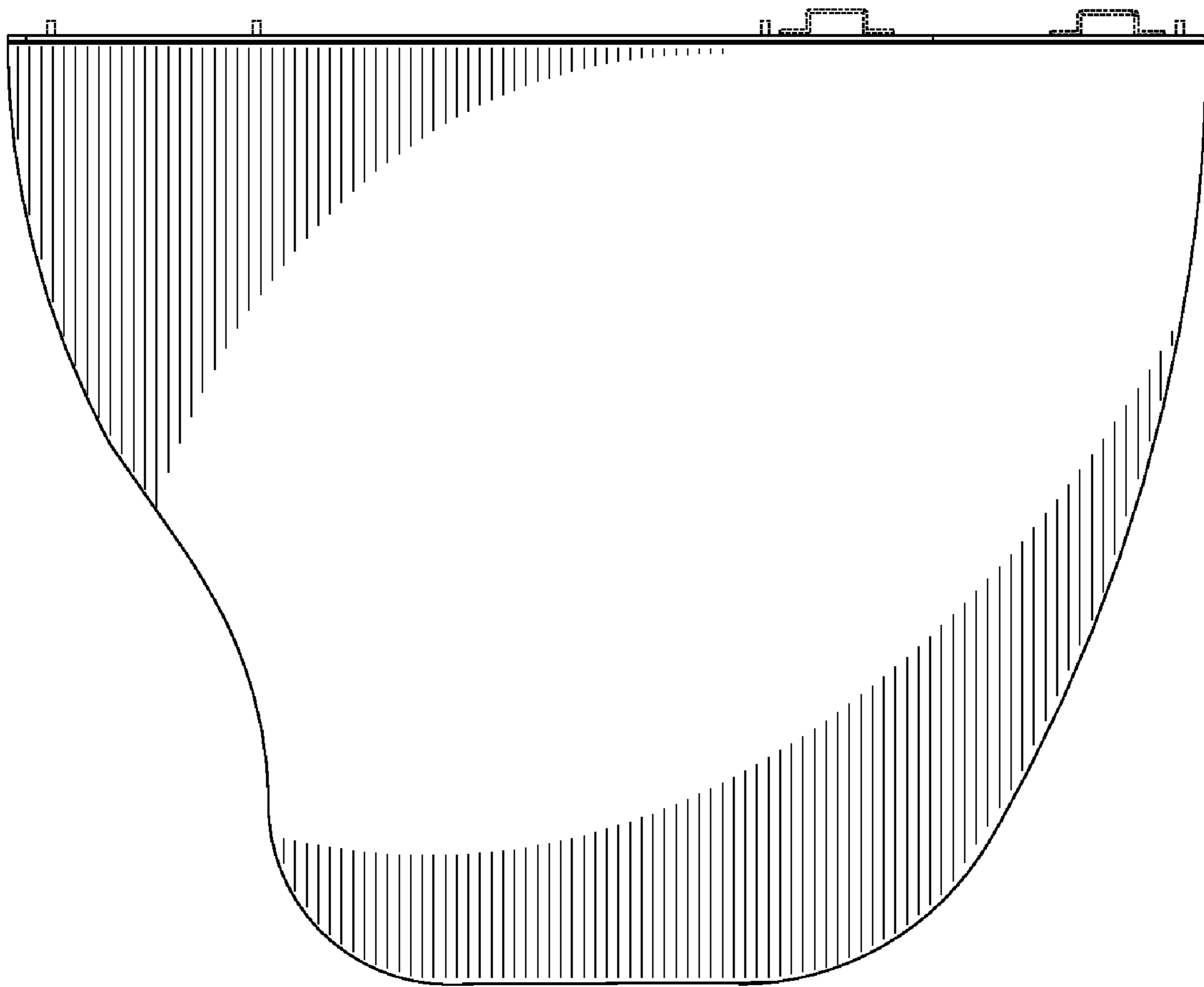


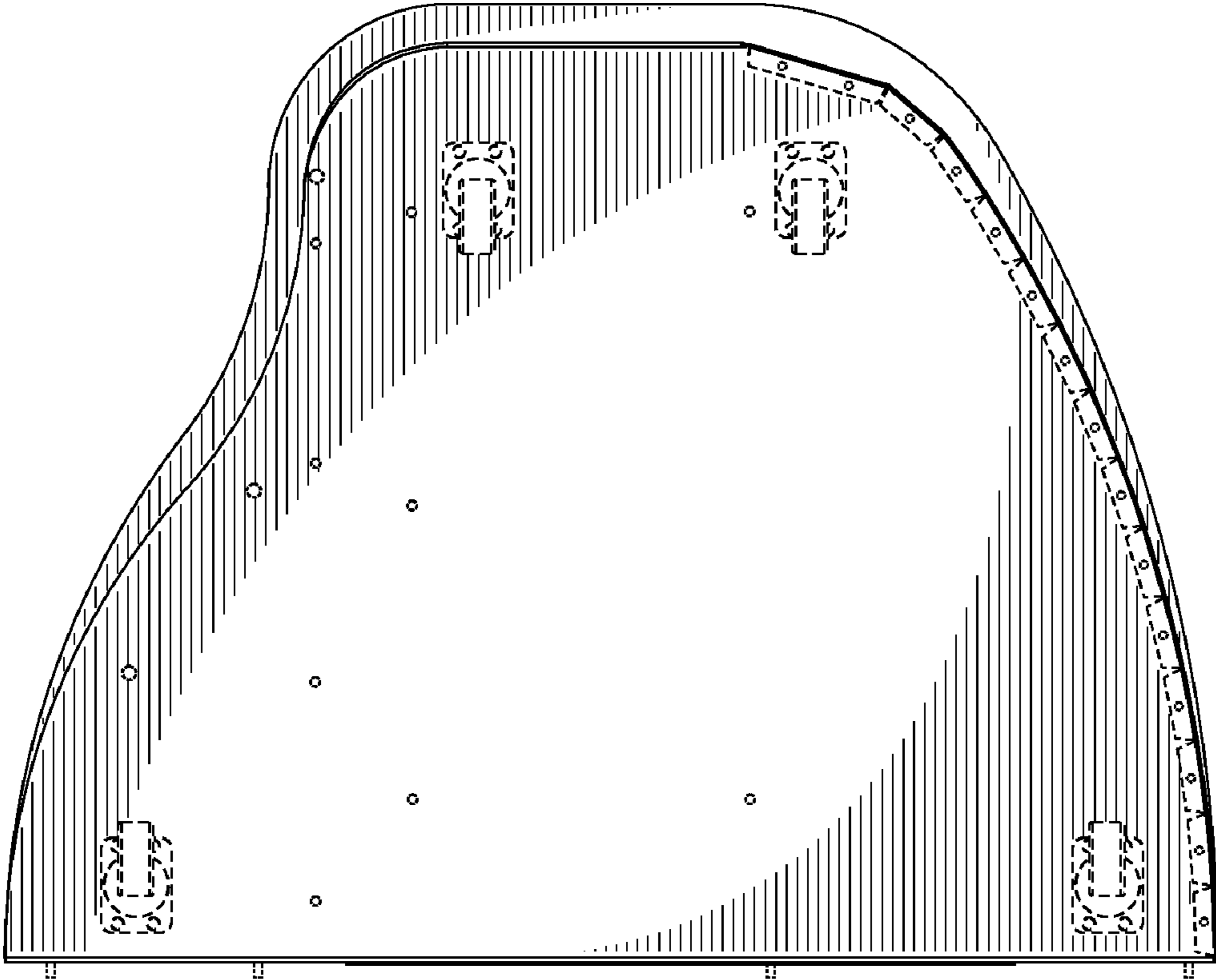
FIG. 4



**FIG. 5**



**FIG. 6**



**FIG. 7**