



US00D606767S

(12) **United States Design Patent**  
**Warren**

(10) **Patent No.:** **US D606,767 S**  
(45) **Date of Patent:** **\*\* Dec. 29, 2009**

(54) **CLOTHES HANGER**

(75) Inventor: **Michael James Warren**, London (GB)

(73) Assignee: **Braitrim (UK) Ltd.**, London (GB)

(\*\*) Term: **14 Years**

(21) Appl. No.: **29/327,404**

(22) Filed: **Nov. 5, 2008**

(30) **Foreign Application Priority Data**

May 7, 2008	(EP)	.....	000933502-0017
May 7, 2008	(EP)	.....	000933502-0018
Oct. 8, 2008	(EP)	.....	001018394-0007

(51) **LOC (9) Cl.** ..... **06-08**

(52) **U.S. Cl.** ..... **D6/319**

(58) **Field of Classification Search** ..... D6/315,  
D6/317, 318, 319, 326; 211/1, 13.1, 85.3;  
223/85-98

See application file for complete search history.

(56) **References Cited**

**U.S. PATENT DOCUMENTS**

D253,448	S	*	11/1979	Salladay	.....	D6/319
D275,437	S	*	9/1984	Mize	.....	D6/315
D279,627	S	*	7/1985	Morin	.....	D6/319
D301,187	S	*	5/1989	Lohnis	.....	D6/319
D356,894	S	*	4/1995	Andersson	.....	D6/319
D367,768	S	*	3/1996	Wagner	.....	D6/319

D410,793	S	*	6/1999	Gouldson	.....	D6/315
D565,308	S	*	4/2008	Gouldson	.....	D6/319
D567,516	S	*	4/2008	Mangano	.....	D6/319
D577,496	S	*	9/2008	Gouldson	.....	D6/326

\* cited by examiner

*Primary Examiner*—Stella M Reid

*Assistant Examiner*—Shanda C Hill

(74) *Attorney, Agent, or Firm*—Scully, Scott, Murphy & Presser, P.C.

(57) **CLAIM**

The ornamental design for a clothes hanger, as shown and described.

**DESCRIPTION**

FIG. 1 is a front view of a clothes hanger showing my new design;

FIG. 2 is a right side view thereof;

FIG. 3 is a left side view thereof;

FIG. 4 is a top plan view thereof;

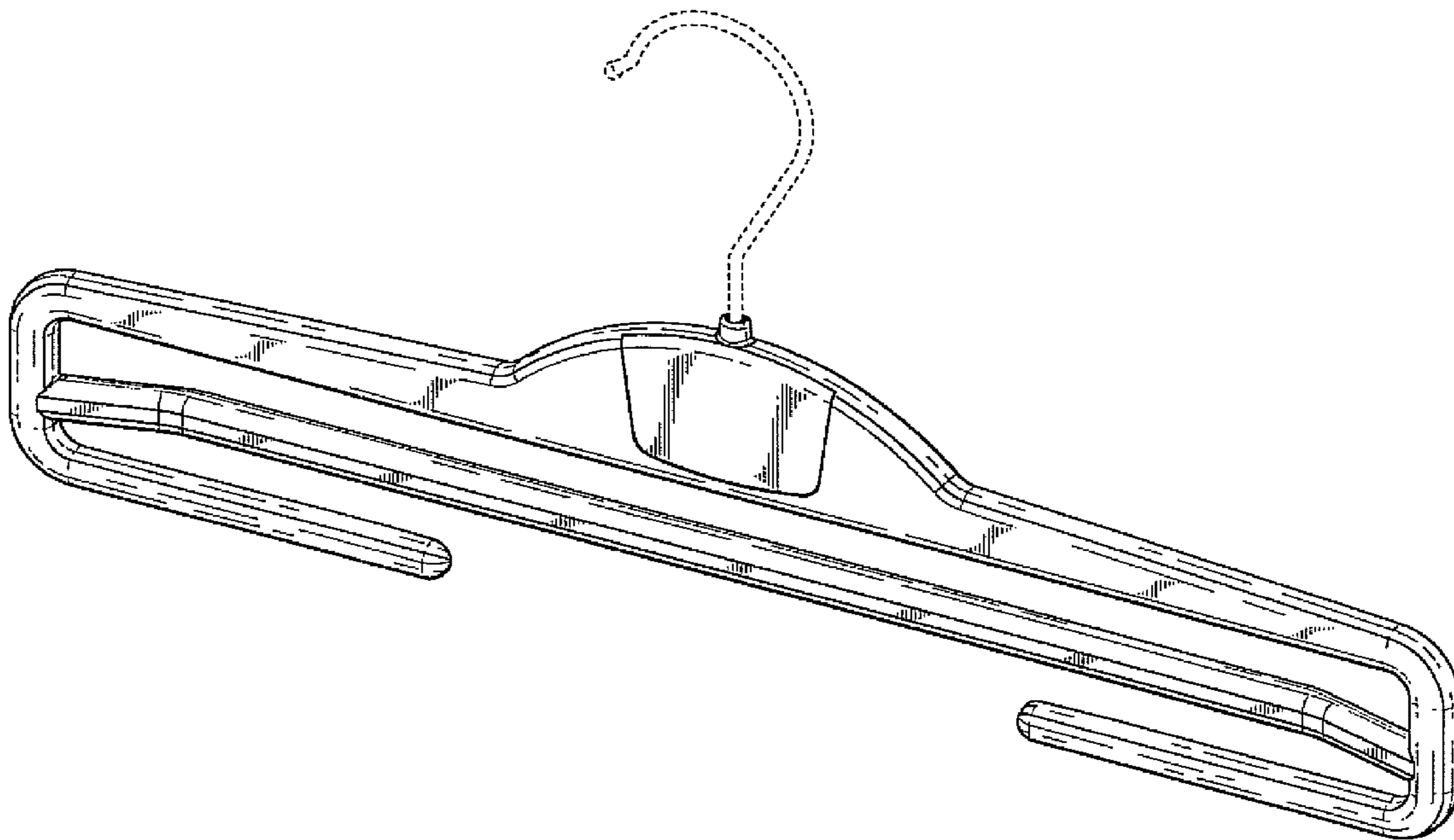
FIG. 5 is a bottom plan view thereof;

FIG. 6 is a rear view thereof; and,

FIG. 7 is a front perspective view thereof.

The broken lines shown in the drawing disclosure are for illustrative purposes only and form no part of the claimed design.

**1 Claim, 7 Drawing Sheets**



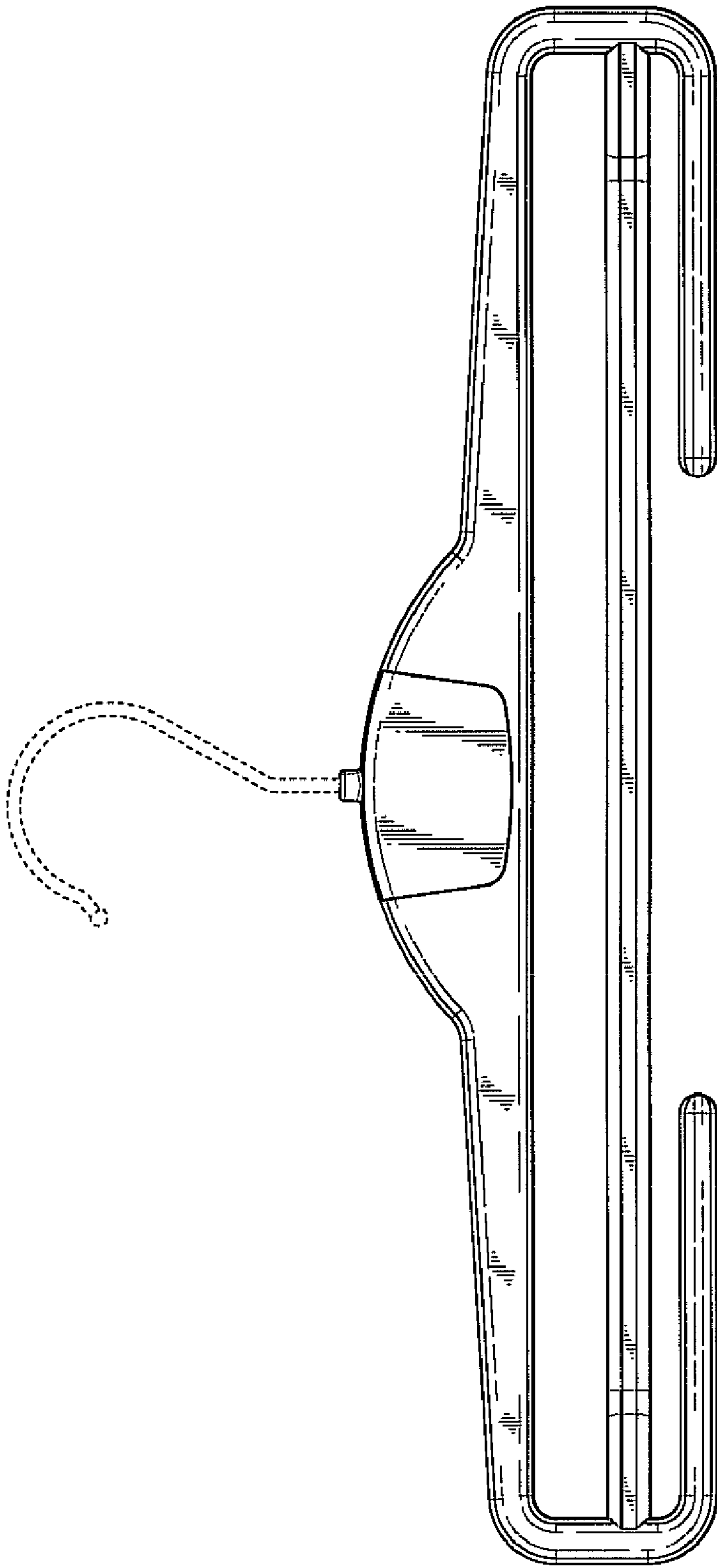
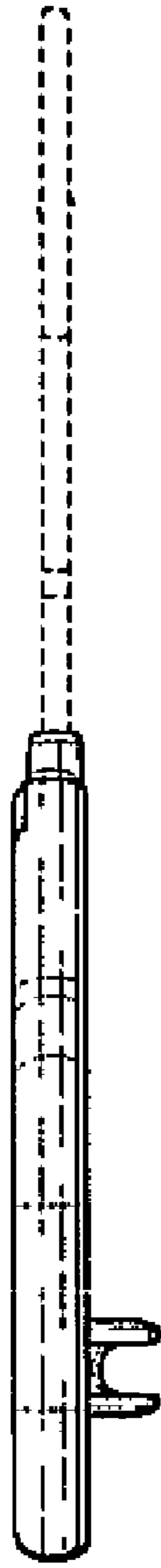


FIG. 1



*FIG. 2*



*FIG. 3*



FIG. 4



FIG. 5

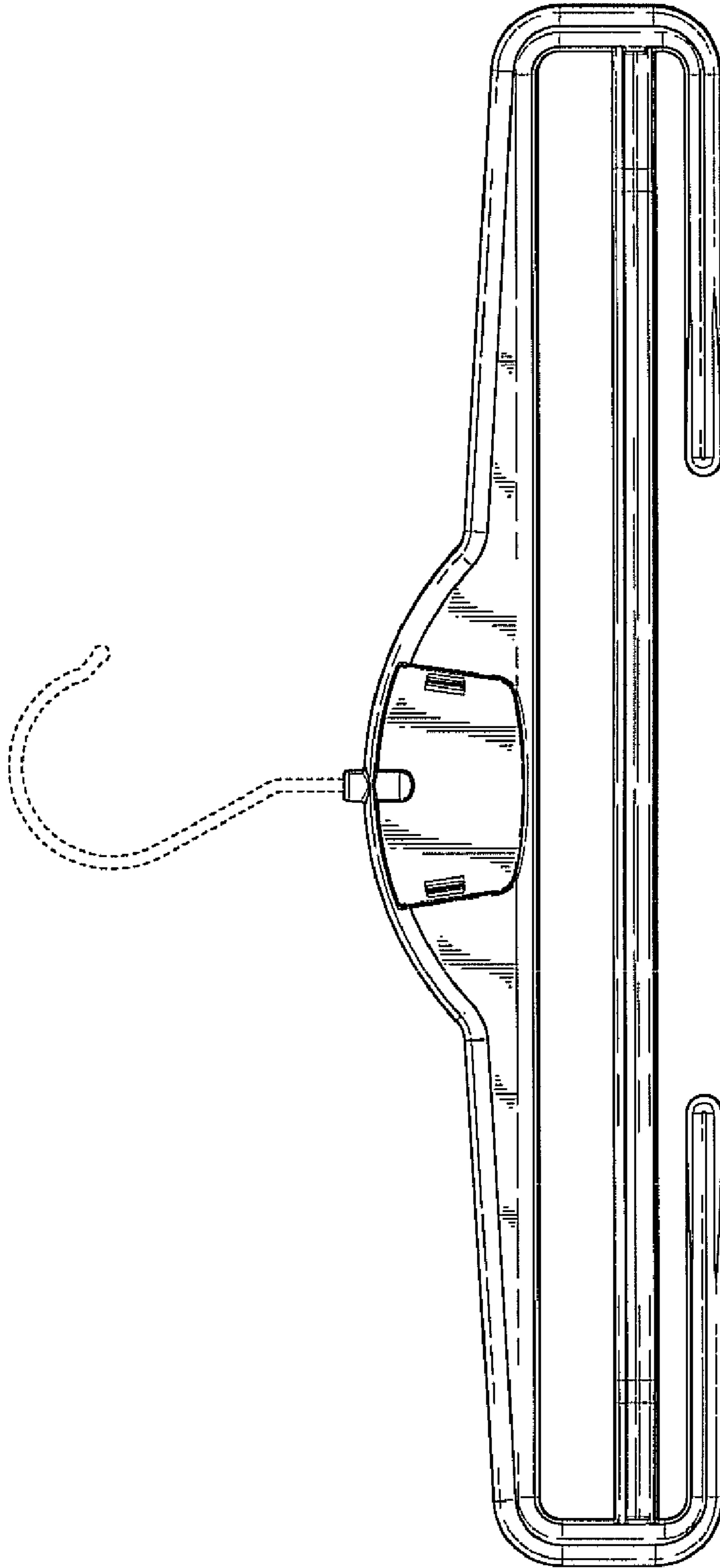


FIG. 6

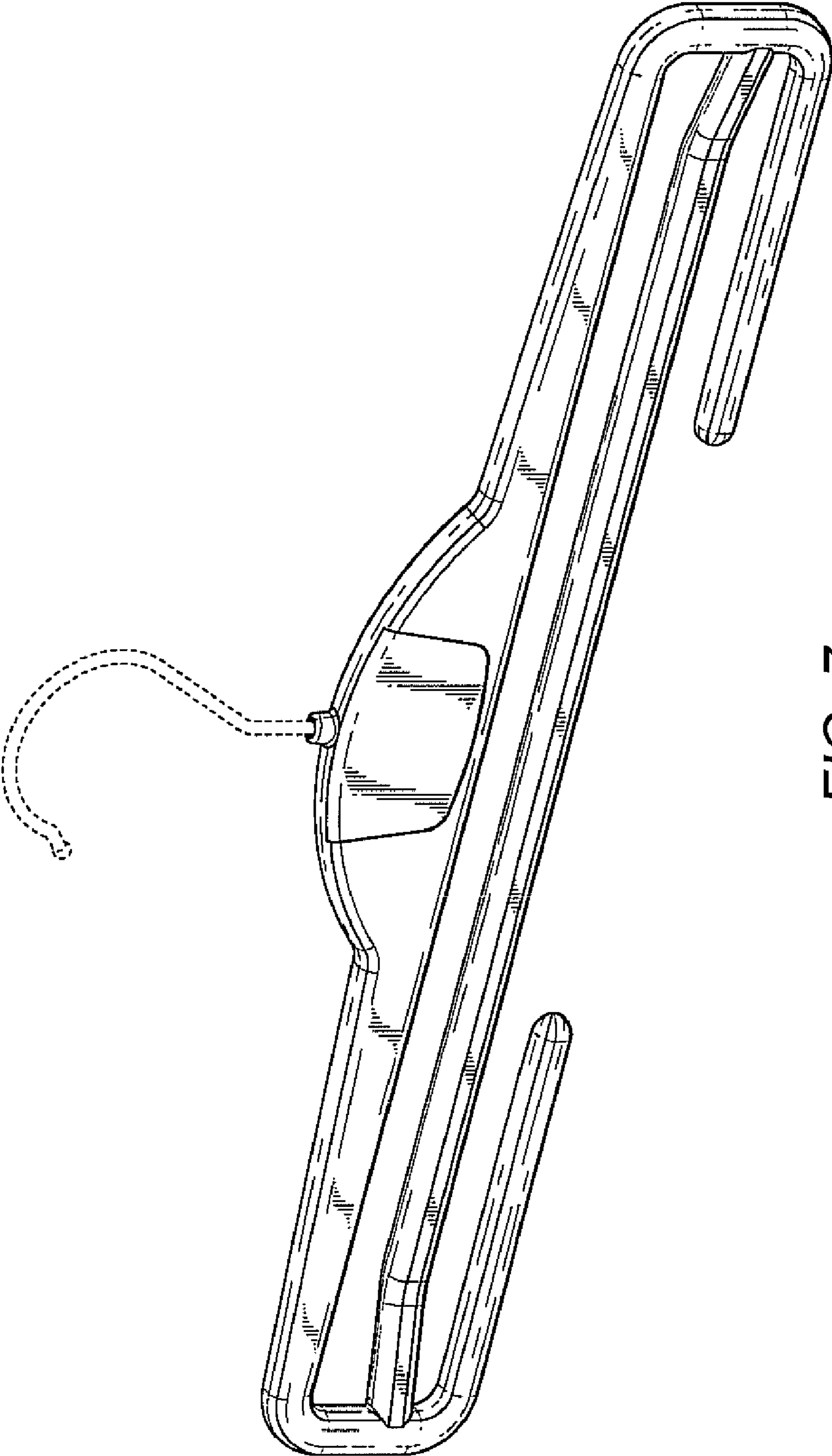


FIG. 7