



US00D606762S

(12) **United States Design Patent**  
**Tang et al.**

(10) **Patent No.:** **US D606,762 S**

(45) **Date of Patent:** **\*\* Dec. 29, 2009**

(54) **DIGITAL PHOTO FRAME**

(75) Inventors: **Chiang-Kuo Tang**, Taipei Hsien (TW);  
**Jun Yang**, Shenzhen (TW)

(73) Assignee: **Hon Hai Precision Industry Co., Ltd.**,  
Tu-Cheng, Taipei Hsien (TW)

(\*\*) Term: **14 Years**

(21) Appl. No.: **29/338,469**

(22) Filed: **Jun. 12, 2009**

(30) **Foreign Application Priority Data**

Mar. 19, 2009 (CN) ..... 2009 3 0301495

(51) **LOC (9) Cl.** ..... **06-04**

(52) **U.S. Cl.** ..... **D6/308**

(58) **Field of Classification Search** ..... D6/300,  
D6/308, 309; 40/714, 721, 700, 768, 717,  
40/716; D19/34.2; 362/97.1

See application file for complete search history.

(56) **References Cited**

**U.S. PATENT DOCUMENTS**

1,968,328 A \* 7/1934 Stuparich ..... 40/769  
D140,181 S \* 1/1945 McGonical ..... D19/34.2  
2,588,545 A \* 3/1952 Lawrence ..... 40/716

2,902,787 A \* 9/1959 Cook ..... 40/716  
4,835,661 A \* 5/1989 Fogelberg et al. .... 362/97.1  
D307,675 S \* 5/1990 Jordan ..... D6/300  
D380,617 S \* 7/1997 Long ..... D6/308  
D587,469 S \* 3/2009 Lin ..... D6/308

\* cited by examiner

*Primary Examiner*—Caron Veynar

*Assistant Examiner*—Sydney R Buffalow

(74) *Attorney, Agent, or Firm*—Zhigang Ma

(57) **CLAIM**

The ornamental design for a digital photo frame, as shown and described.

**DESCRIPTION**

FIG. 1 is a front elevational view of the design for a digital photo frame;

FIG. 2 is a left side view thereof;

FIG. 3 is a right side view thereof;

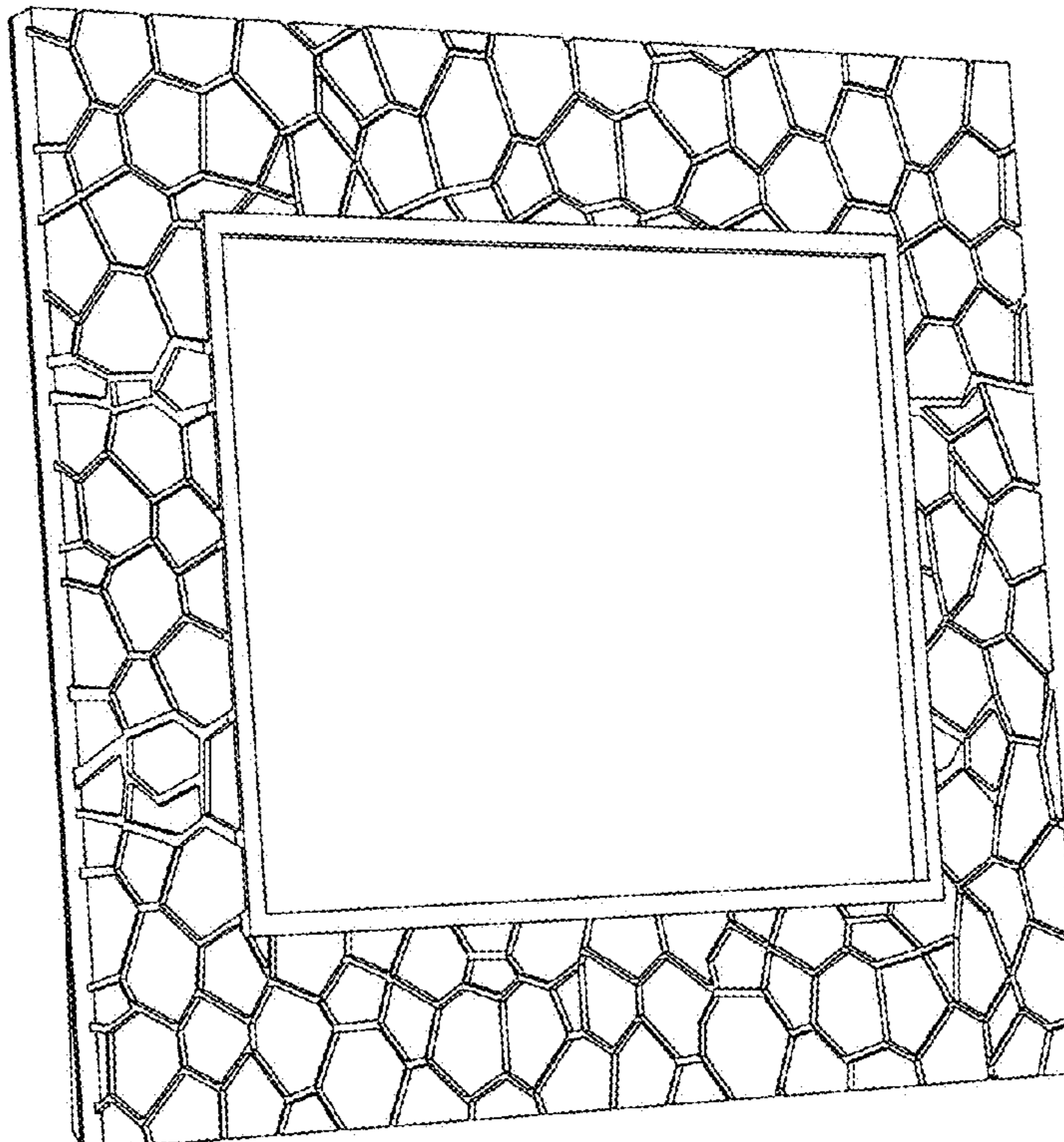
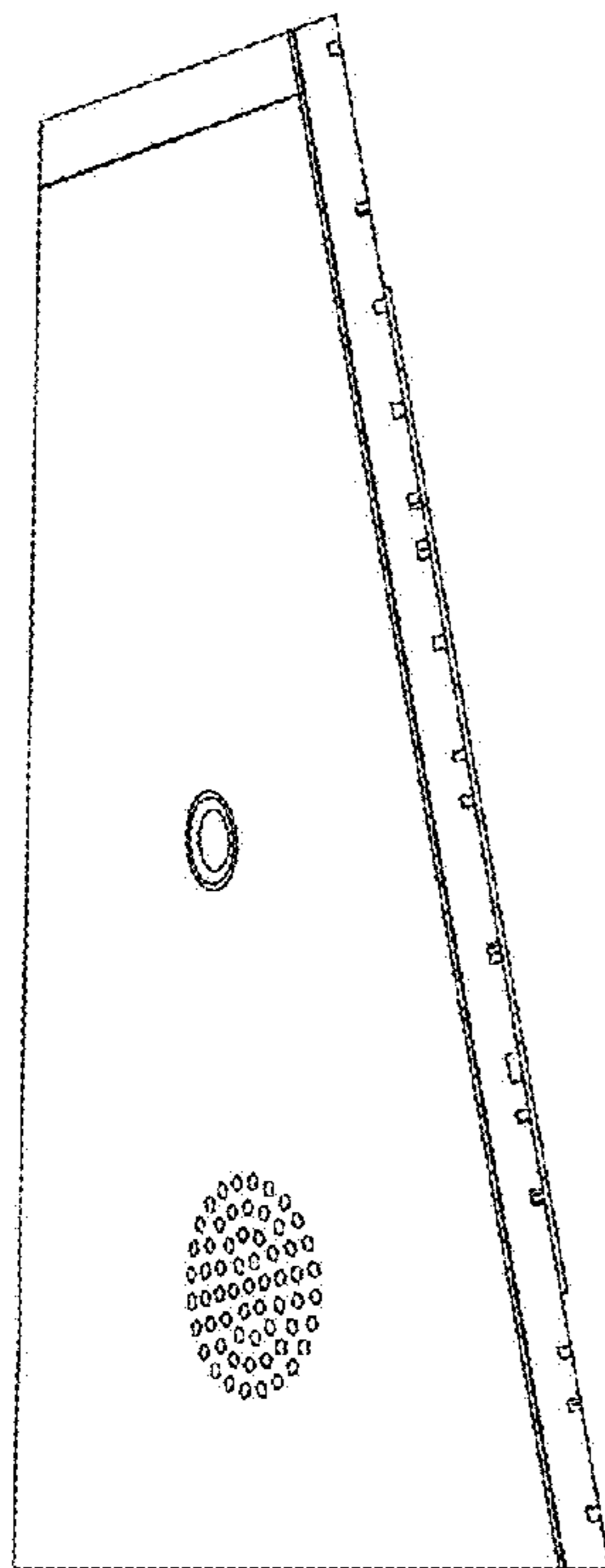
FIG. 4 is a top plan view thereof;

FIG. 5 is a bottom plan view thereof;

FIG. 6 is a rear elevational view thereof; and,

FIG. 7 is a perspective view thereof.

**1 Claim, 7 Drawing Sheets**



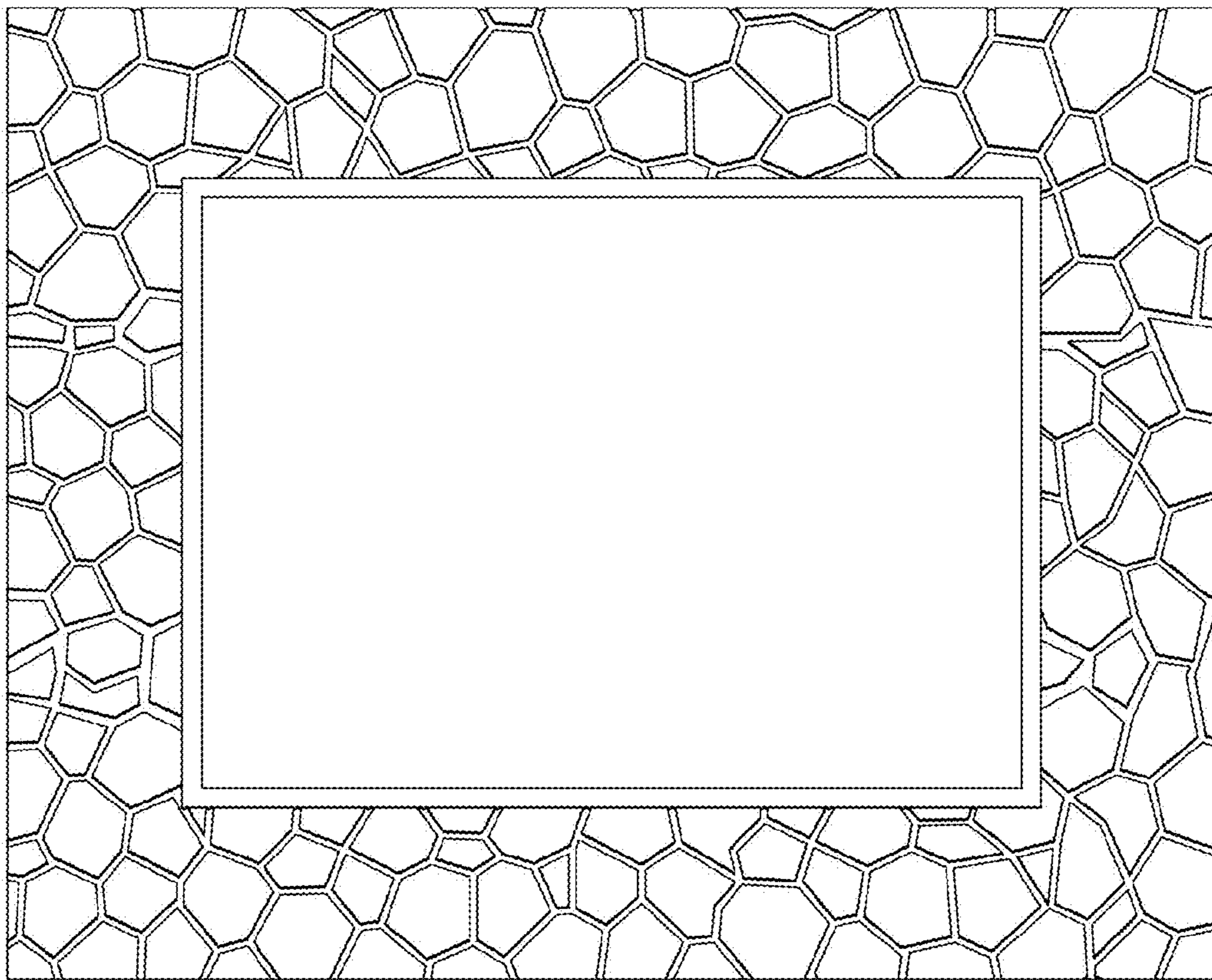


FIG. 1

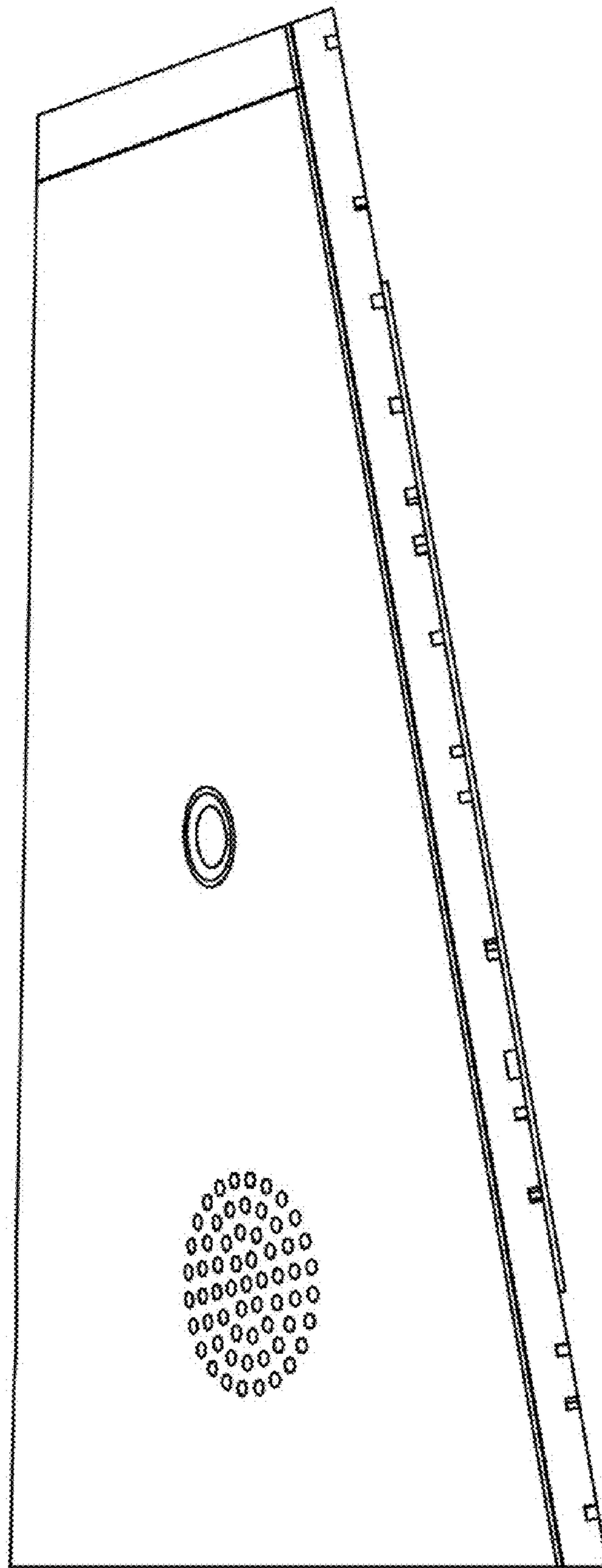


FIG. 2

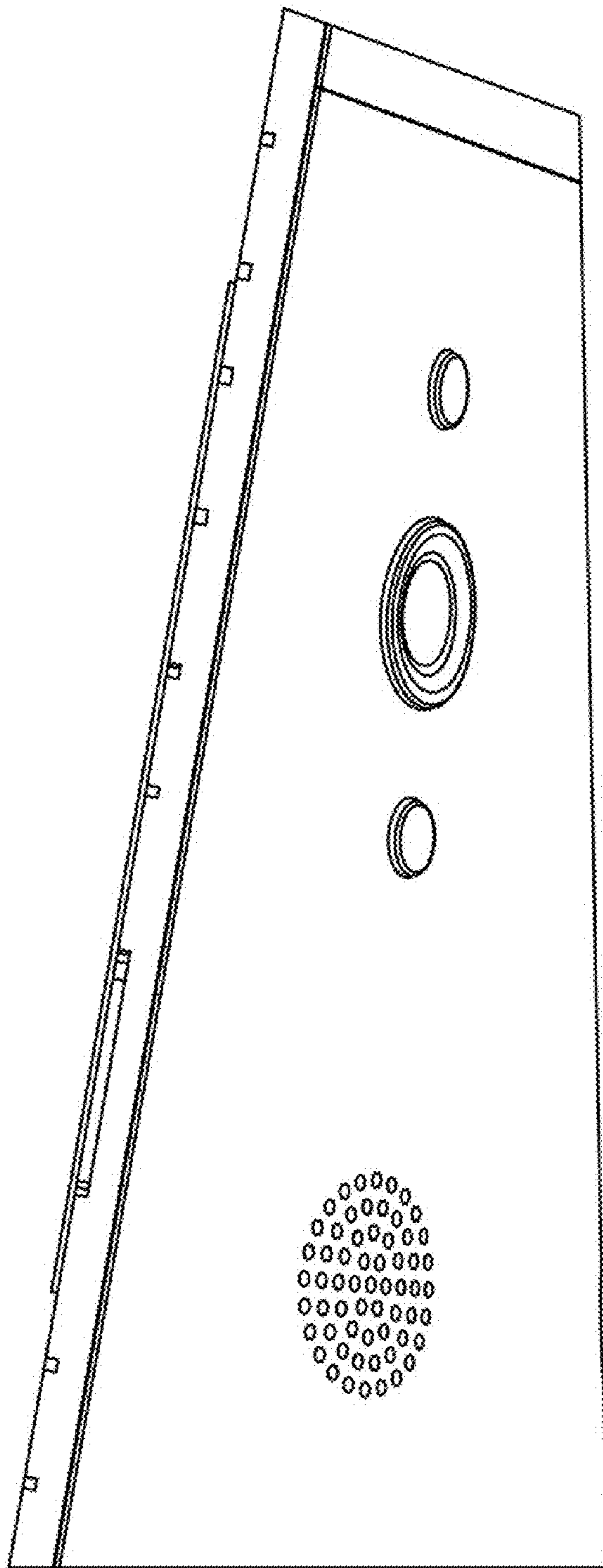


FIG. 3

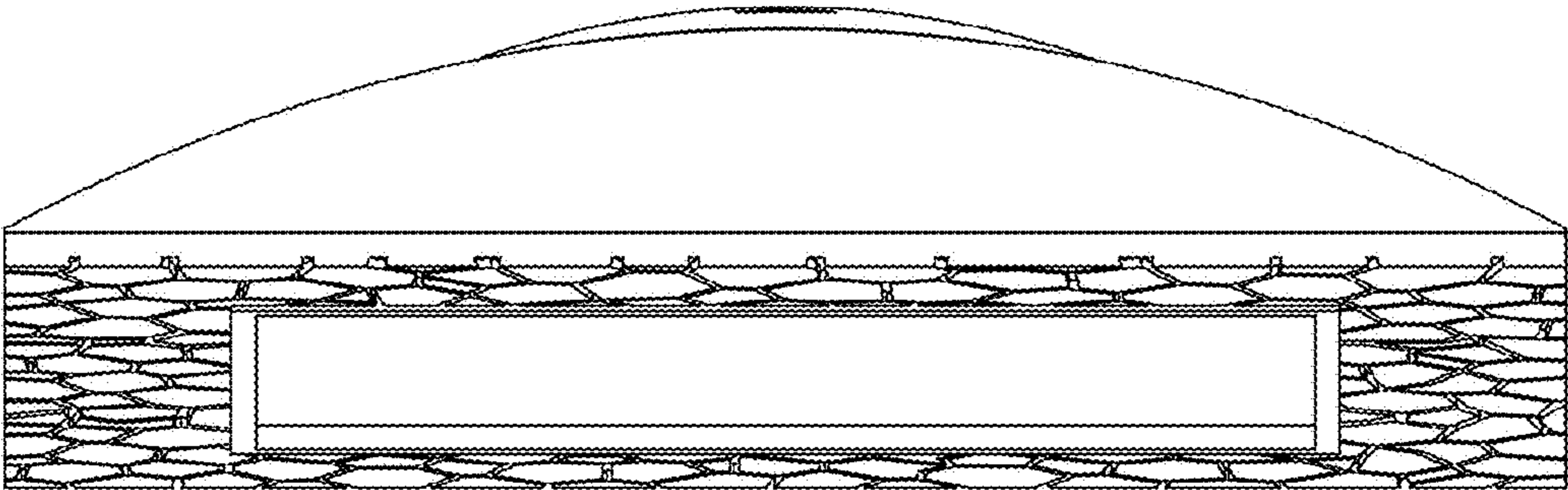


FIG. 4

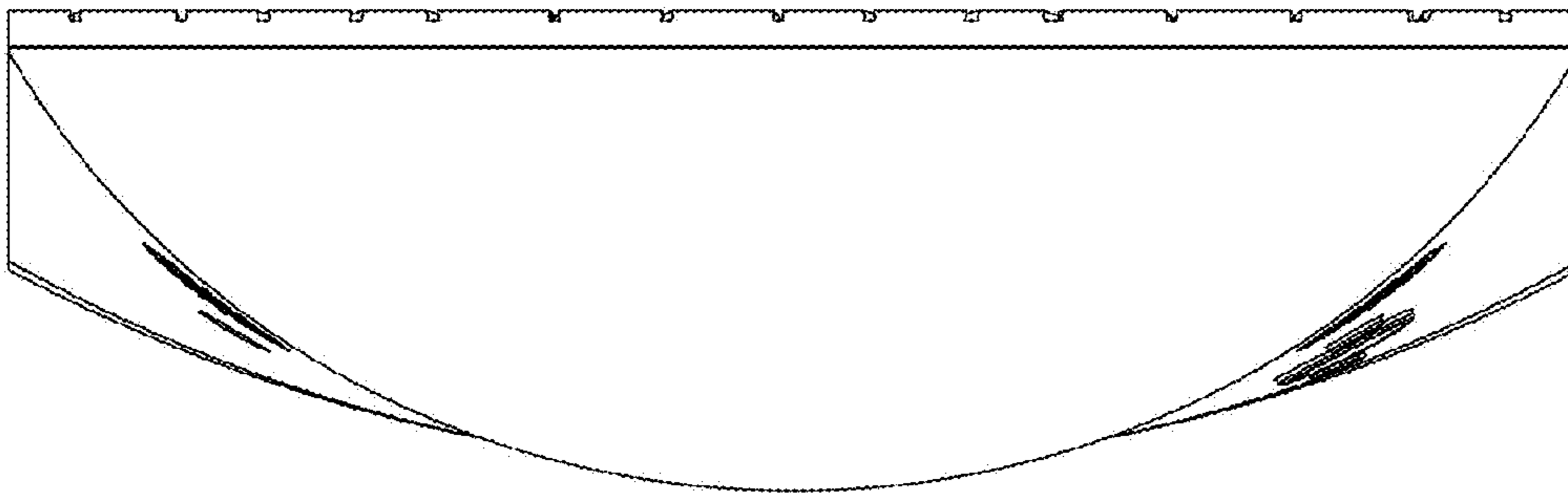


FIG. 5

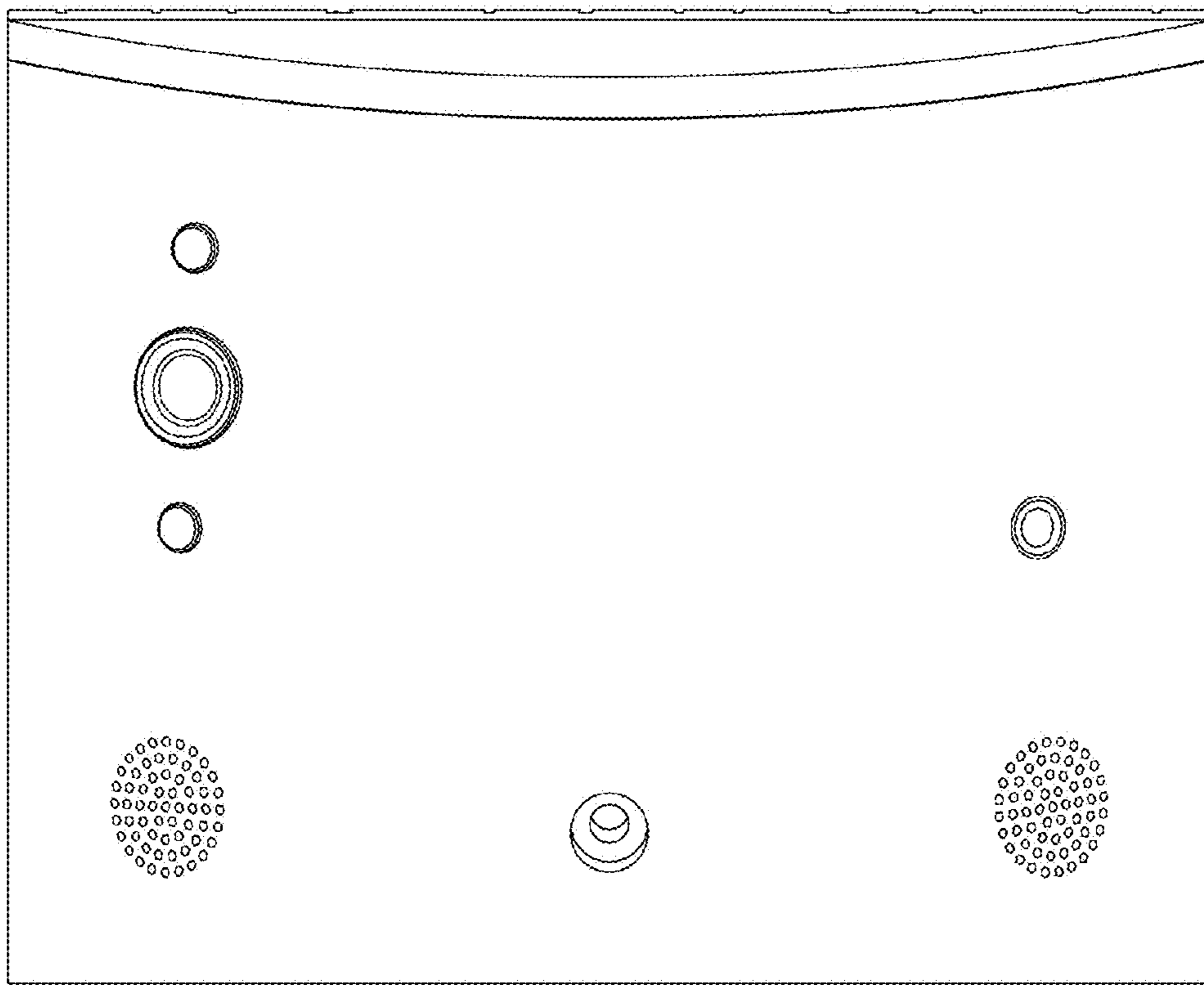


FIG. 6

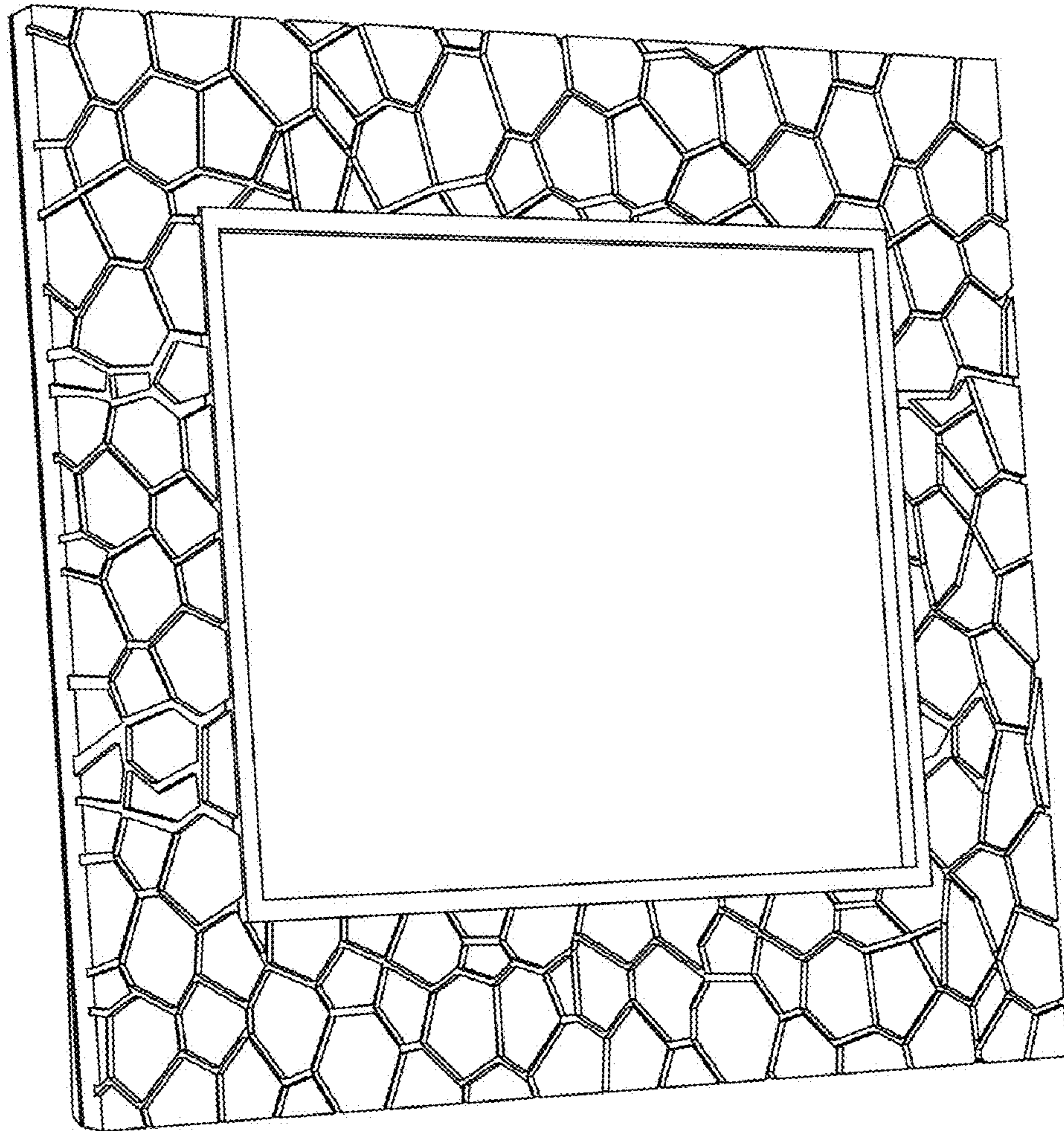


FIG. 7