



US00D606761S

(12) **United States Design Patent**
Quinn et al.

(10) **Patent No.:** **US D606,761 S**

(45) **Date of Patent:** **** Dec. 29, 2009**

(54) **FRAME**

(74) *Attorney, Agent, or Firm*—Quarles & Brady LLP

(75) Inventors: **Charles E. Quinn**, Sun Prairie, WI (US);
Sandra Eide Harper, Middleton, WI (US)

(57) **CLAIM**

The ornamental design for a frame, as shown and described.

(73) Assignee: **Uniek, Inc.**, Waunakee, WI (US)

(**) Term: **14 Years**

DESCRIPTION

(21) Appl. No.: **29/330,800**

In a preferred embodiment, the nature of this product is a wall-mountable frame for pictures and the like.

(22) Filed: **Jan. 14, 2009**

FIG. 1 is a top, right, front perspective view of a frame embodying our new design;

(51) **LOC (9) Cl.** **06-07**

FIG. 2 is a front elevational view thereof;

(52) **U.S. Cl.** **D6/302**

FIG. 3 is a right side elevational view thereof;

(58) **Field of Classification Search** D6/301,
D6/300, 302; 40/721, 722, 700, 711, 714,
40/715, 716, 745, 761, 765, 780, 798, 799,
40/729, 730, 731

FIG. 4 is a left side elevational view;

FIG. 5 is a top plan view thereof;

See application file for complete search history.

FIG. 6 is a bottom plan view thereof;

FIG. 7 is a rear elevational view thereof; and,

(56) **References Cited**

U.S. PATENT DOCUMENTS

FIG. 8 is a top, left, front perspective view of a frame according to another embodiment of our new design, the front elevational, right side elevational, left side elevational, top plan, bottom plan and rear elevational views thereof being mirror images of respective FIGS. 2–7.

4,827,639 A * 5/1989 Wang 40/730

D437,490 S * 2/2001 Vincent D6/302

D529,301 S * 10/2006 Phillips D6/302

D541,055 S * 4/2007 Gasparian D6/301

The broken line representations in the figures are for the purpose of illustration only, and form no part of the claimed design.

* cited by examiner

Primary Examiner—Caron Veynar

Assistant Examiner—Sydney R Buffalow

1 Claim, 5 Drawing Sheets

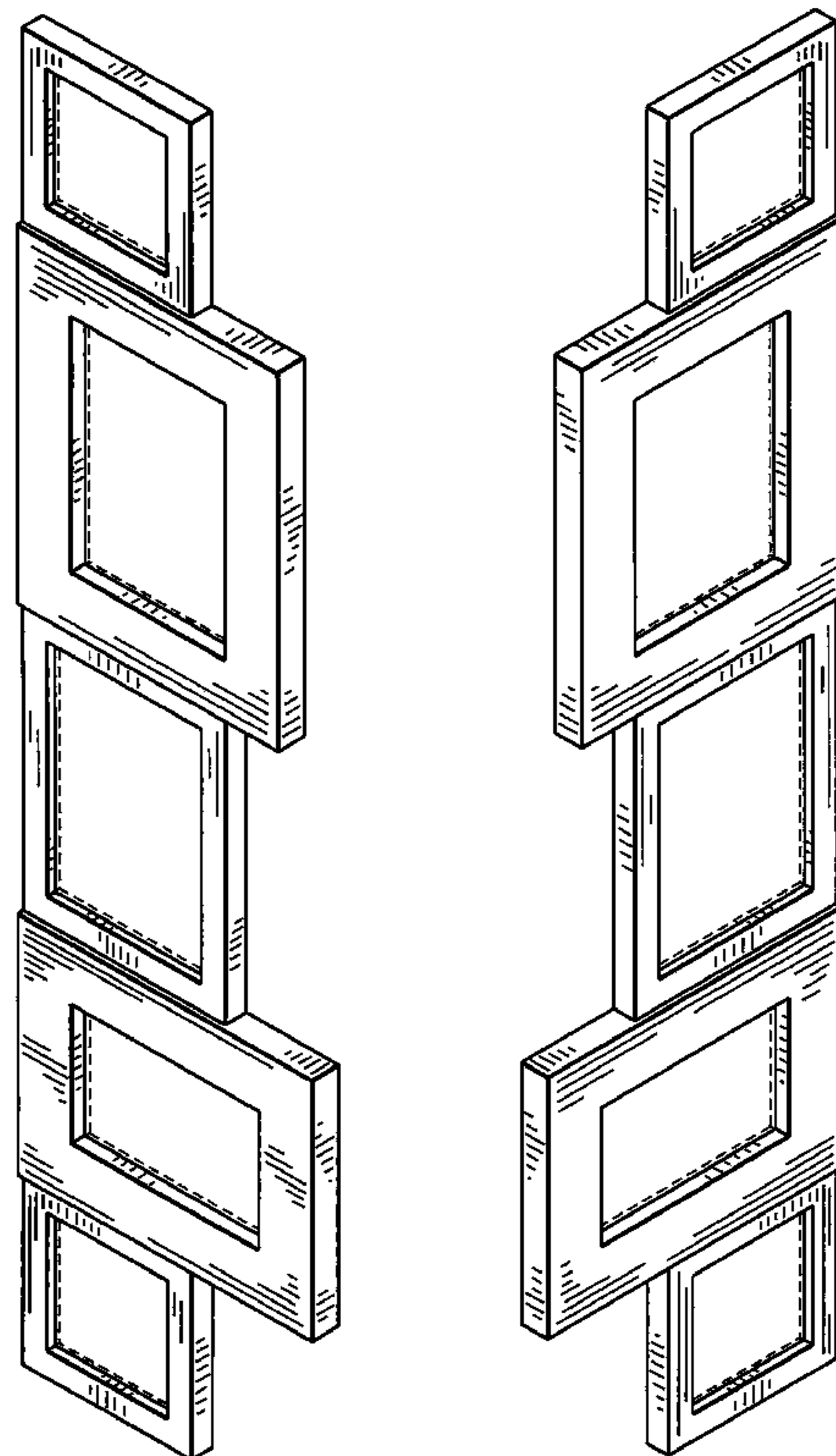


FIG. 1

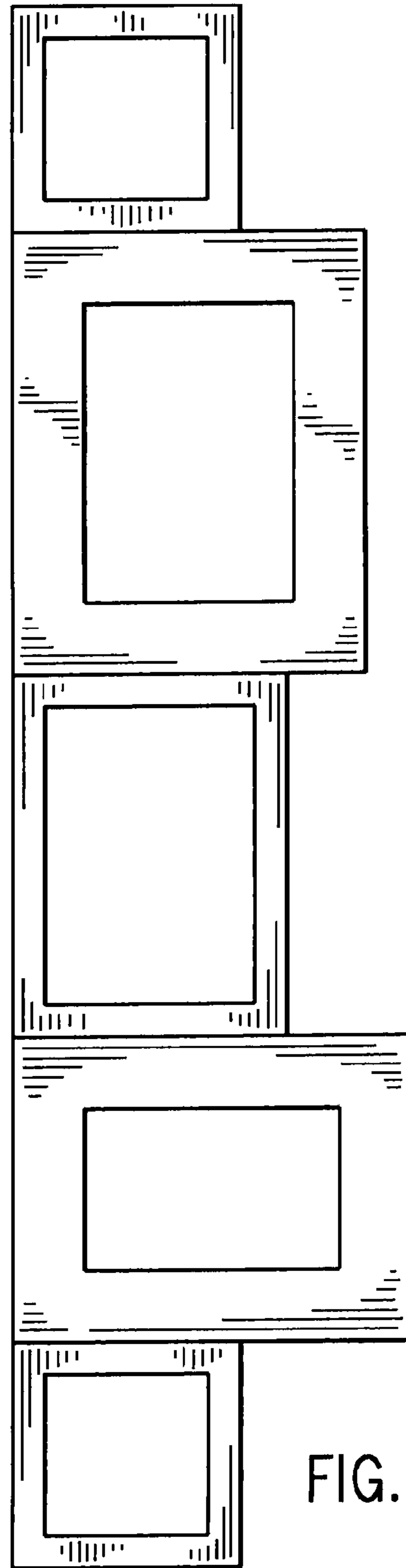
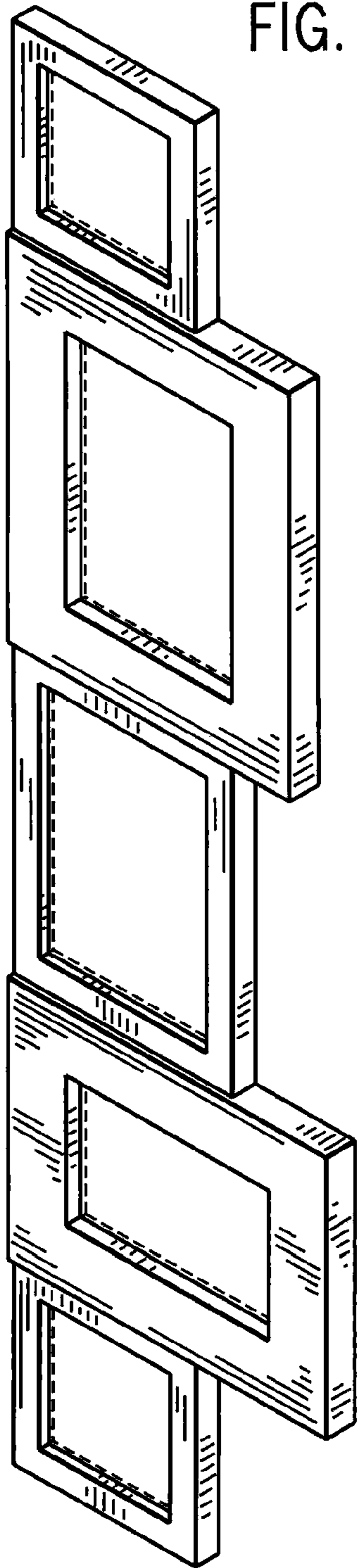


FIG. 2



FIG. 3



FIG. 4



FIG. 5



FIG. 6

FIG. 7

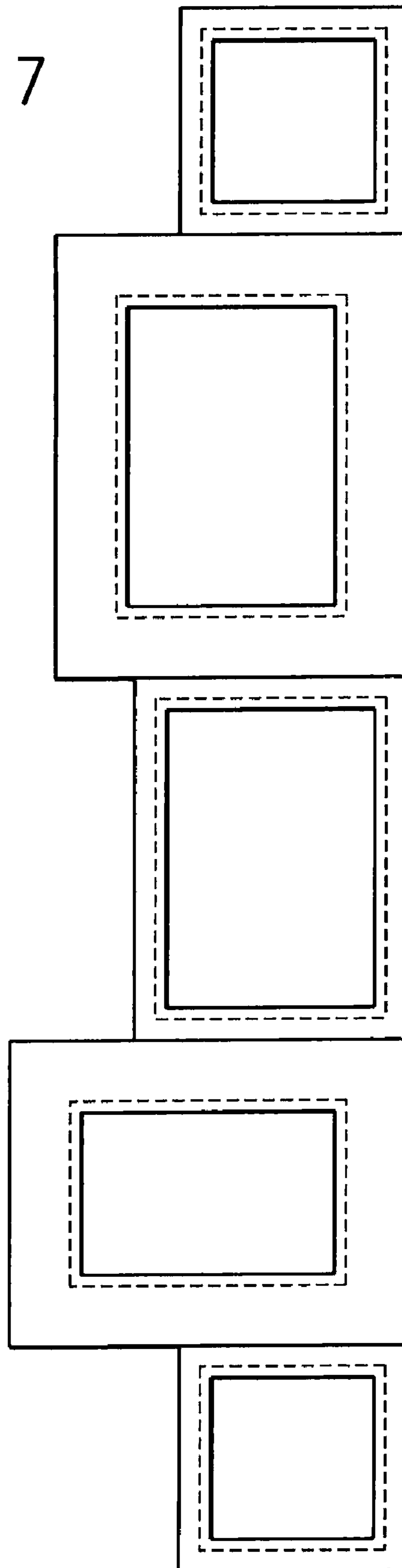


FIG. 8

