



US00D606757S

(12) **United States Design Patent**  
**Driesen et al.**

(10) **Patent No.:** **US D606,757 S**

(45) **Date of Patent:** **\*\* \*Dec. 29, 2009**

(54) **TOOTHBRUSH HEAD**

(75) Inventors: **Georges Driesen**, Weilrod (DE);  
**Michael Schmid**, Frankfurt am Main  
(DE); **Rory McGarry**, Frankfurt am  
Main (DE); **Eva Susanne Dominique**  
**Thurnay**, Frankfurt am Main (DE)

(73) Assignee: **The Procter & Gamble Company**,  
Cincinnati, OH (US)

(\*) Notice: This patent is subject to a terminal dis-  
claimer.

(\*\*) Term: **14 Years**

(21) Appl. No.: **29/312,682**

(22) Filed: **Nov. 6, 2008**

(51) **LOC (9) Cl.** ..... **04-02**

(52) **U.S. Cl.** ..... **D4/101; D4/111**

(58) **Field of Classification Search** ..... D4/101,  
D4/104-112, 127, 130; 15/28, 29, 110, 167.1,  
15/167.2, DIG. 5; 132/308-311; 601/139,  
601/141

See application file for complete search history.

(56) **References Cited**

**U.S. PATENT DOCUMENTS**

D321,285 S 11/1991 Hirabayashi

(Continued)

**FOREIGN PATENT DOCUMENTS**

DE 20213325 U1 \* 10/2002

DE 20111428 U1 \* 11/2002

DE 202007017676 U1 \* 4/2008

EP 0765642 A2 4/1997

JP 2000000118 A \* 1/2000

JP 2004135935 A \* 5/2004

**OTHER PUBLICATIONS**

DE 40005187.7 Industrial Design Application, (Coronet-Werke  
GmbH), Sep. 9, 2000, [online], [retrieved on Dec. 8, 2007] Retrieved

from the Designs Register Database of the German Patent and Trade  
Mark Office using the Internet: <URL: https://dpinfo.dpma.de>.\*  
Office Actions for U.S. Appl. No. 10/666,497, filed Sep. 19, 2003,  
Chenvainu et al.

Office Actions for U.S. Appl. No. 09/824,310, filed Apr. 2, 2001,  
Brown, Jr. et al.

Office Actions for U.S. Appl. No. 11/513,632, filed Aug. 31, 2006,  
Brown, Jr. et al.

Office Actions for U.S. Appl. No. 12/008,774, filed Jan. 14, 2008,  
Brown, Jr. et al.

*Primary Examiner*—Robin V Webster

*Assistant Examiner*—Lavone D Tabor

(74) *Attorney, Agent, or Firm*—Vladimir Vitenberg; George  
H. Leal; James C. Vago

(57) **CLAIM**

The ornamental design for a toothbrush head, as shown and  
described.

**DESCRIPTION**

FIG. 1 is a perspective view of a portion of a toothbrush head,  
showing our new ornamental design, wherein tufts are formed  
by pluralities of bristles;

FIG. 2 is a front view thereof;

FIG. 3 is a bottom view thereof;

FIG. 4 is a side view thereof, the opposite side view being a  
mirror image thereof; and,

FIG. 5 is a top view thereof.

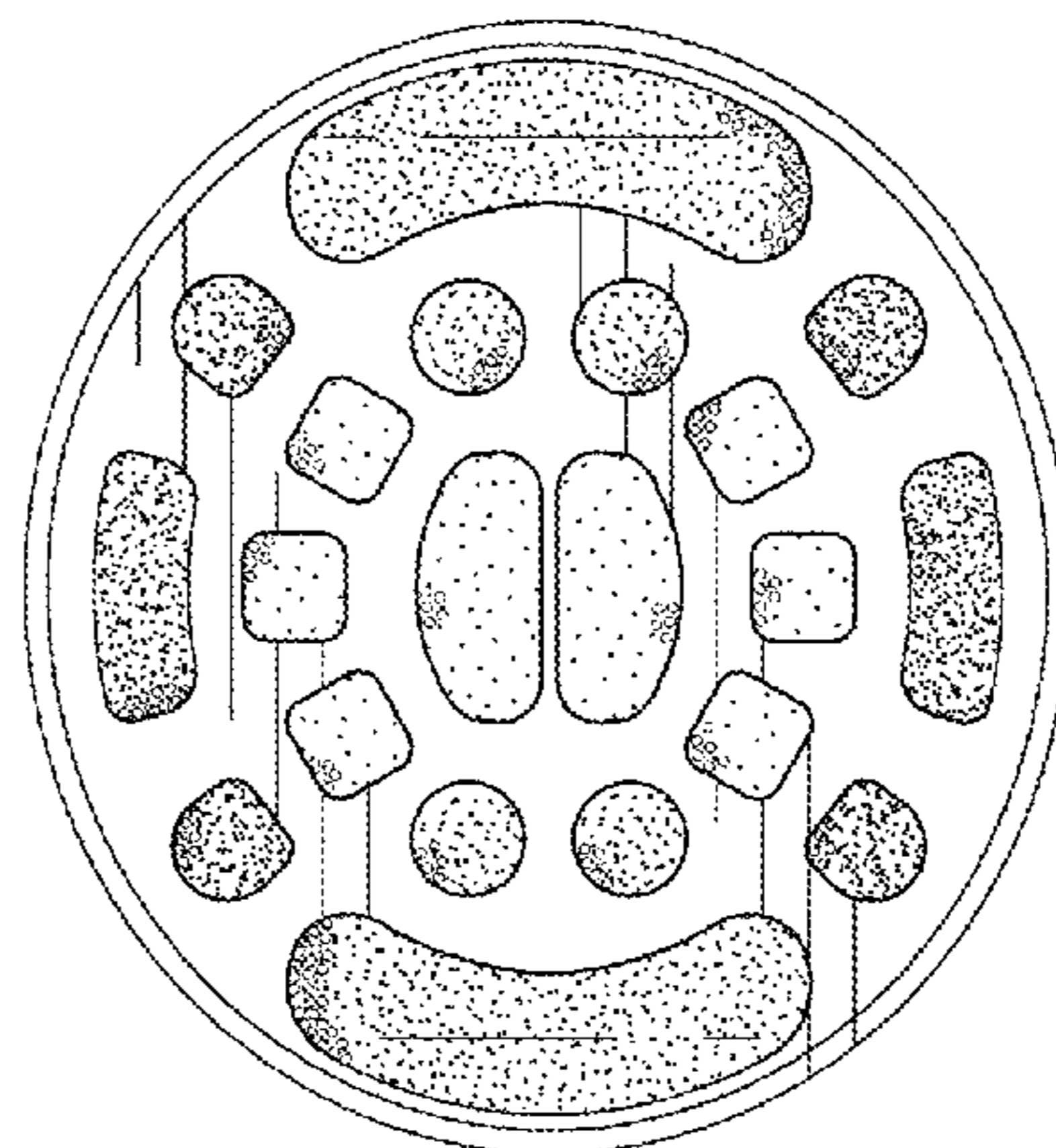
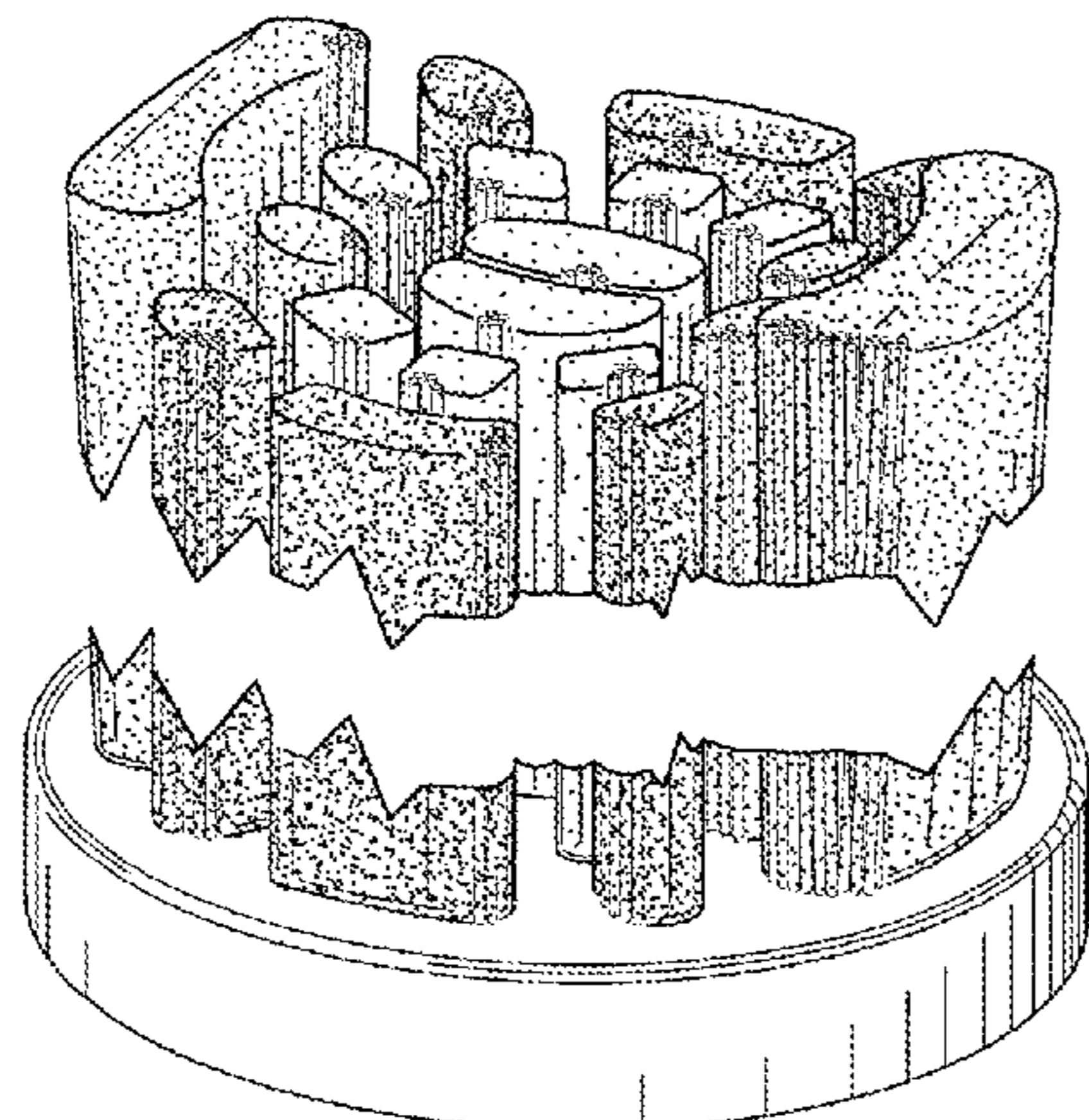
The broken line shown in FIGS. 2-4 represents the bounds of  
the claim and forms no part thereof.

The bristle tufts are shown broken away to indicate that no  
particular length is being claimed.

Pluralities of individual bristles shown, for convenience, only  
partially in each of the tufts continue throughout and fill  
respective tufts in accordance with the contours outlined by  
the endless straight / curved lines.

The shading of differential-density stippled patterns indicates  
differential colors of the tufts of bristles.

**1 Claim, 2 Drawing Sheets**



# US D606,757 S

Page 2

---

## U.S. PATENT DOCUMENTS

D397,252 S	8/1998	Allende		D478,214 S	8/2003	Winkler et al.	
6,021,538 A *	2/2000	Kressner et al. ....	15/28	D479,046 S	9/2003	Winkler	
6,058,541 A	5/2000	Masterman et al.		6,665,901 B2 *	12/2003	Driesen et al. ....	15/167.1
D456,607 S *	5/2002	Carlucci et al. ....	D4/101	6,957,468 B2 *	10/2005	Driesen et al. ....	15/167.1
D462,173 S	9/2002	Eliav et al.		7,275,277 B2 *	10/2007	Moskovich et al. ....	15/167.1
D465,655 S	11/2002	Kraemer		7,392,562 B2	7/2008	Boland et al.	
D478,212 S	8/2003	Winkler		2002/0138926 A1 *	10/2002	Brown et al. ....	15/22.1

\* cited by examiner

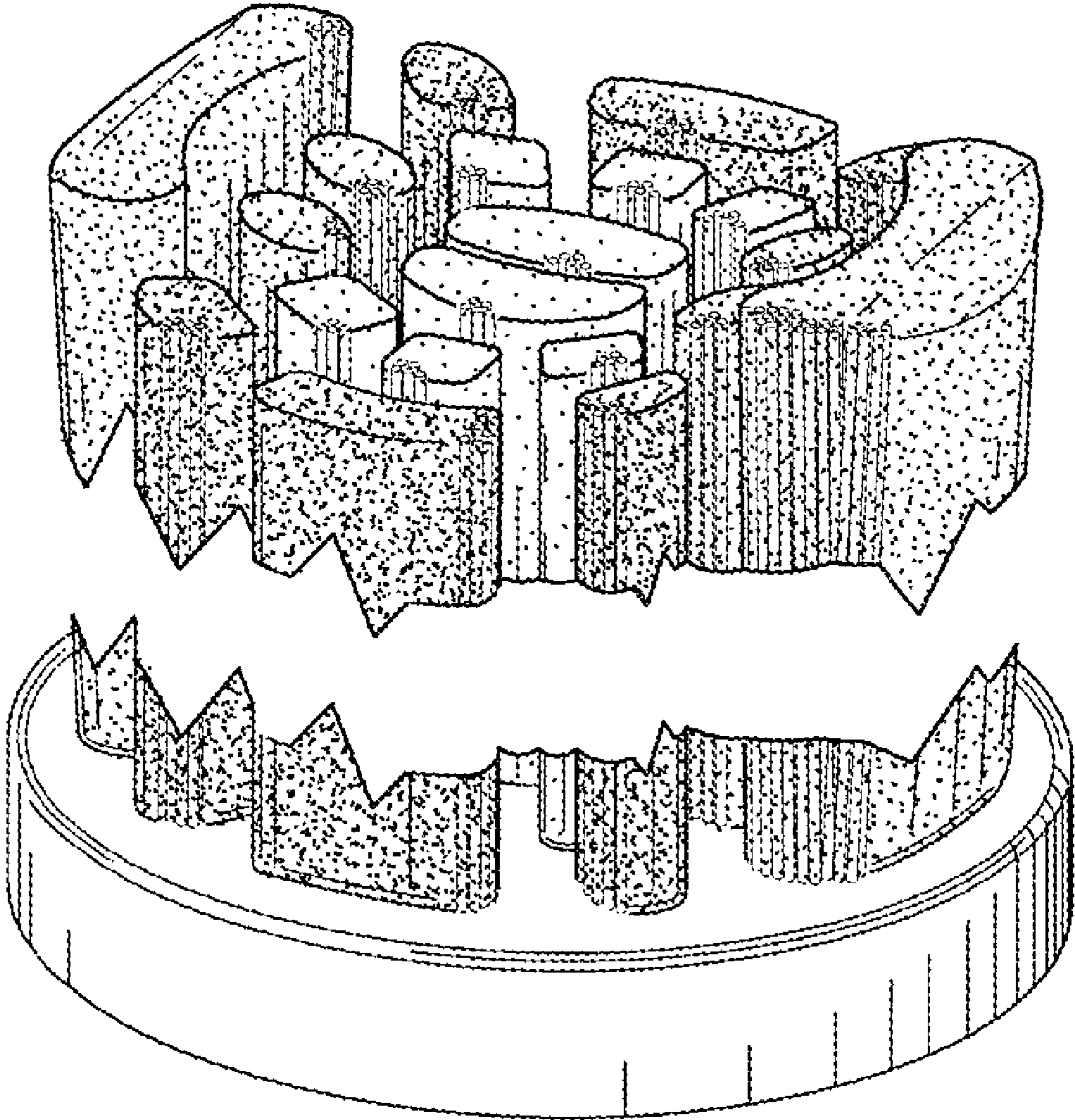


Fig. 1

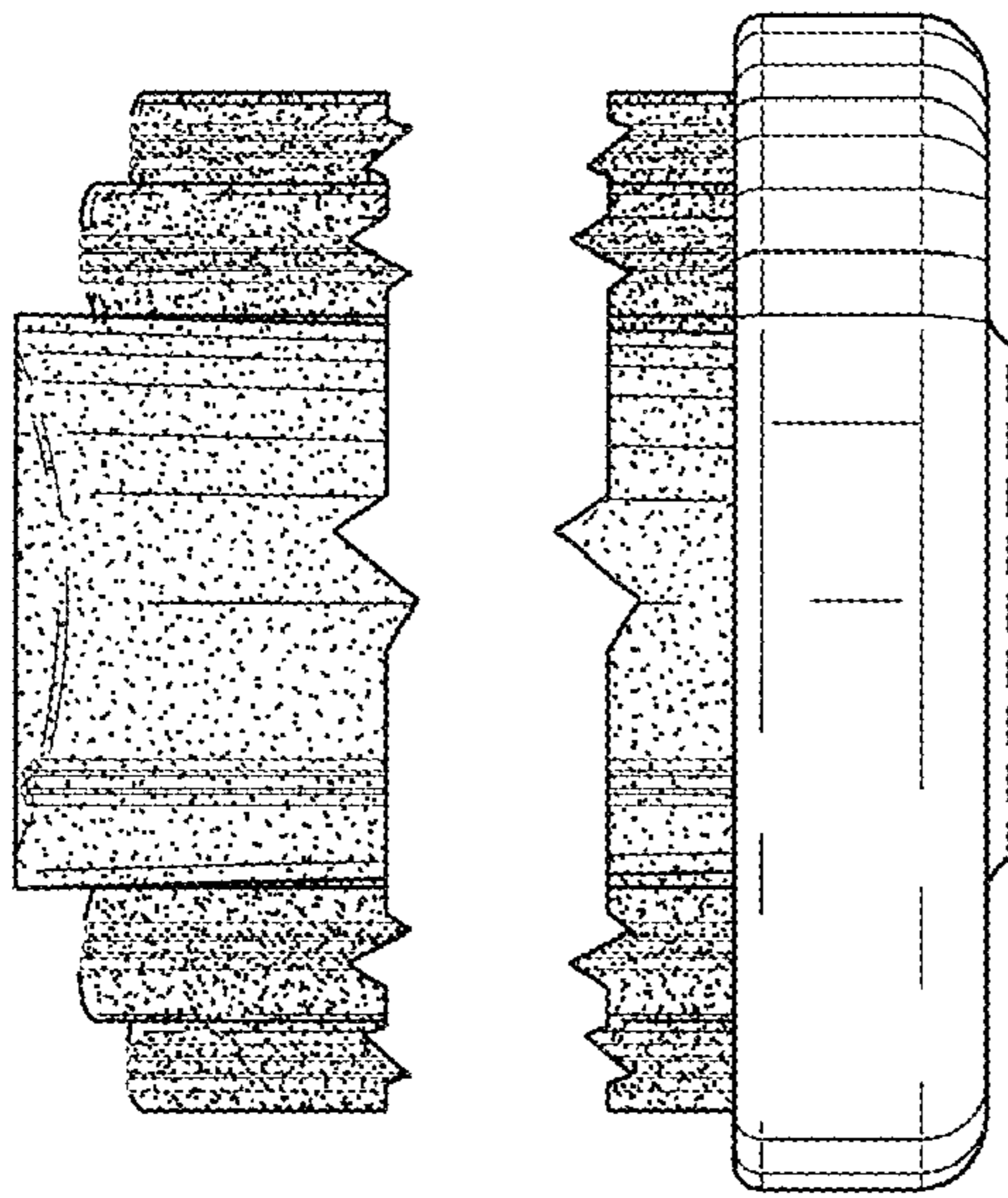


Fig. 2

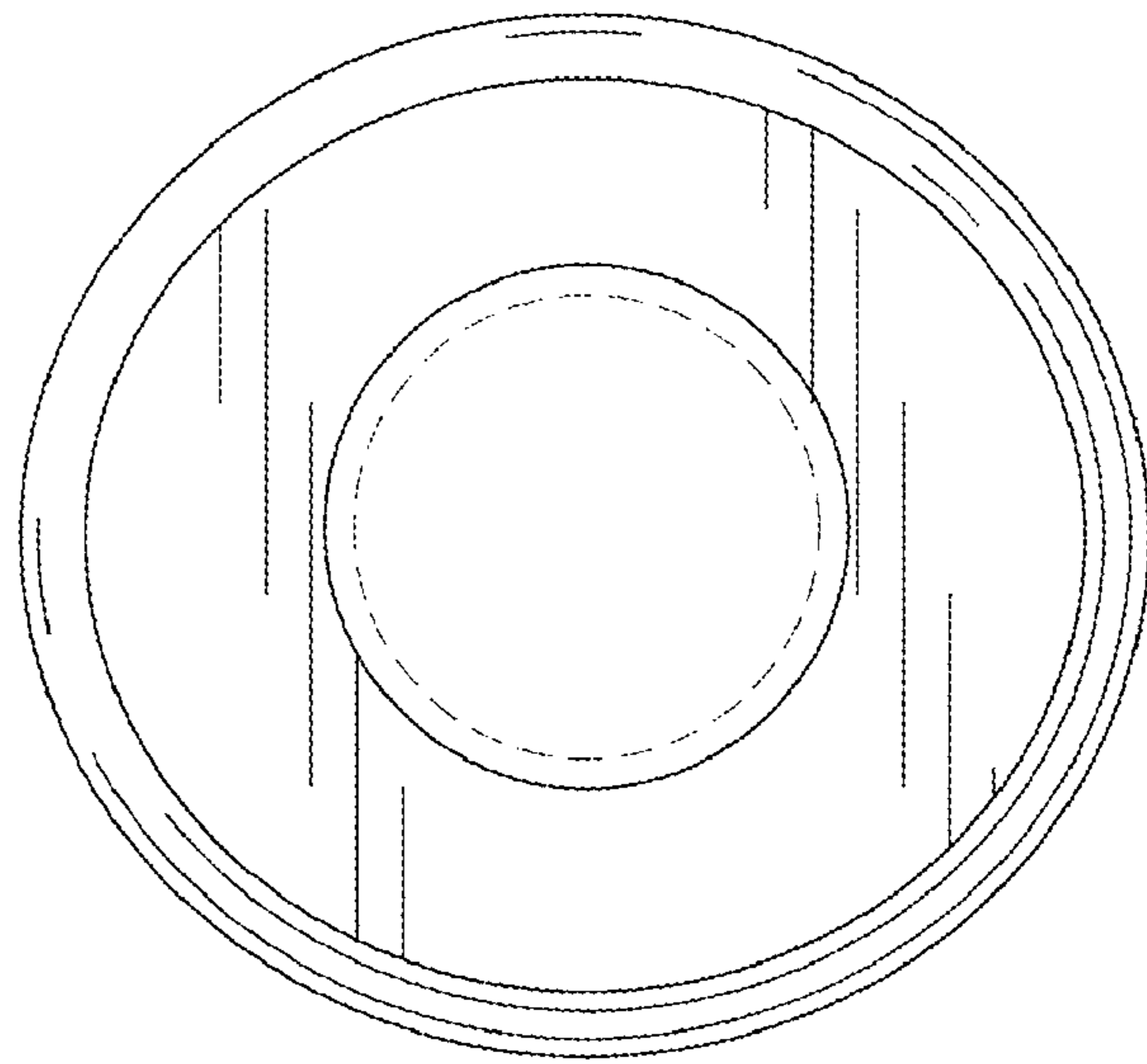


Fig. 3

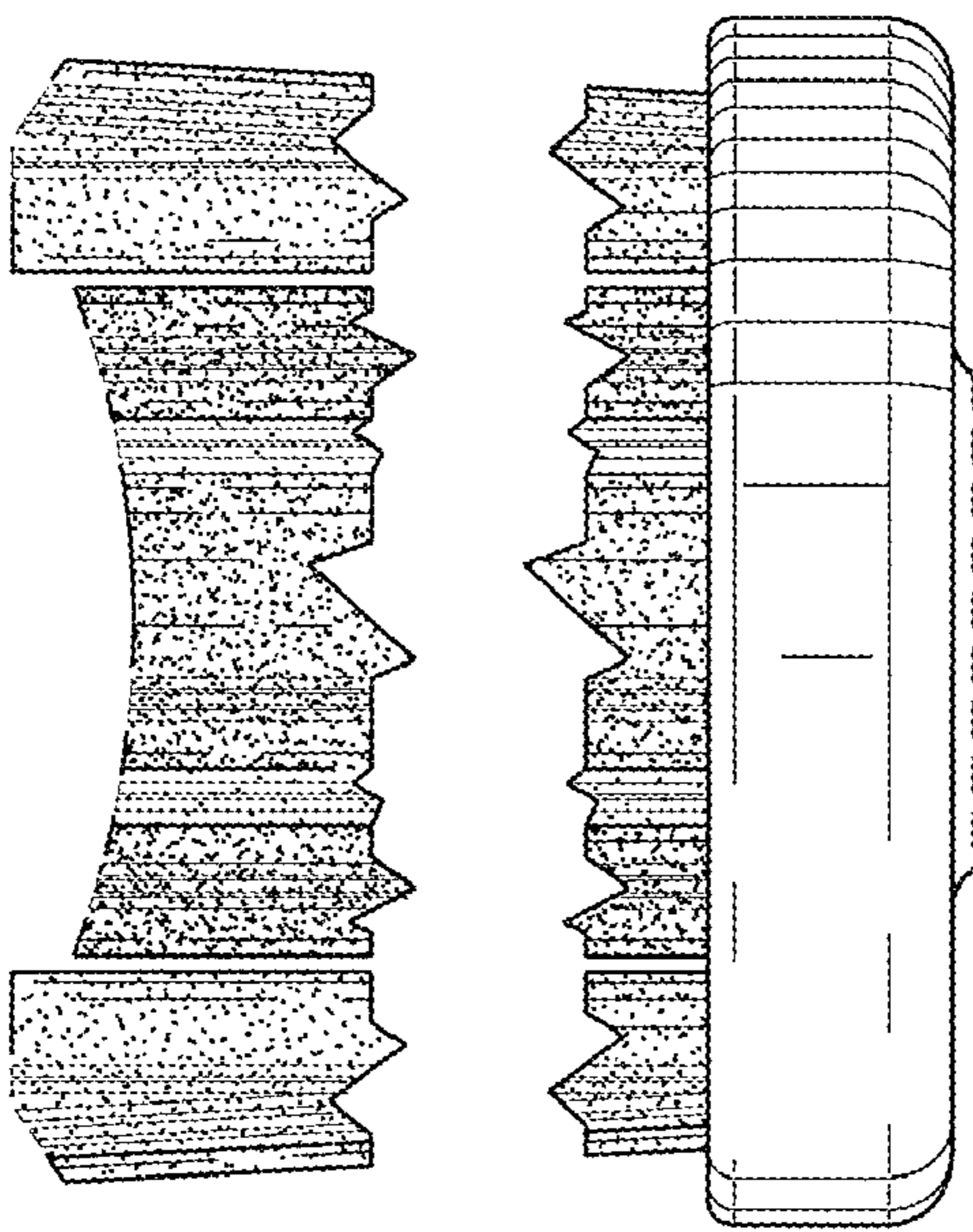


Fig. 4

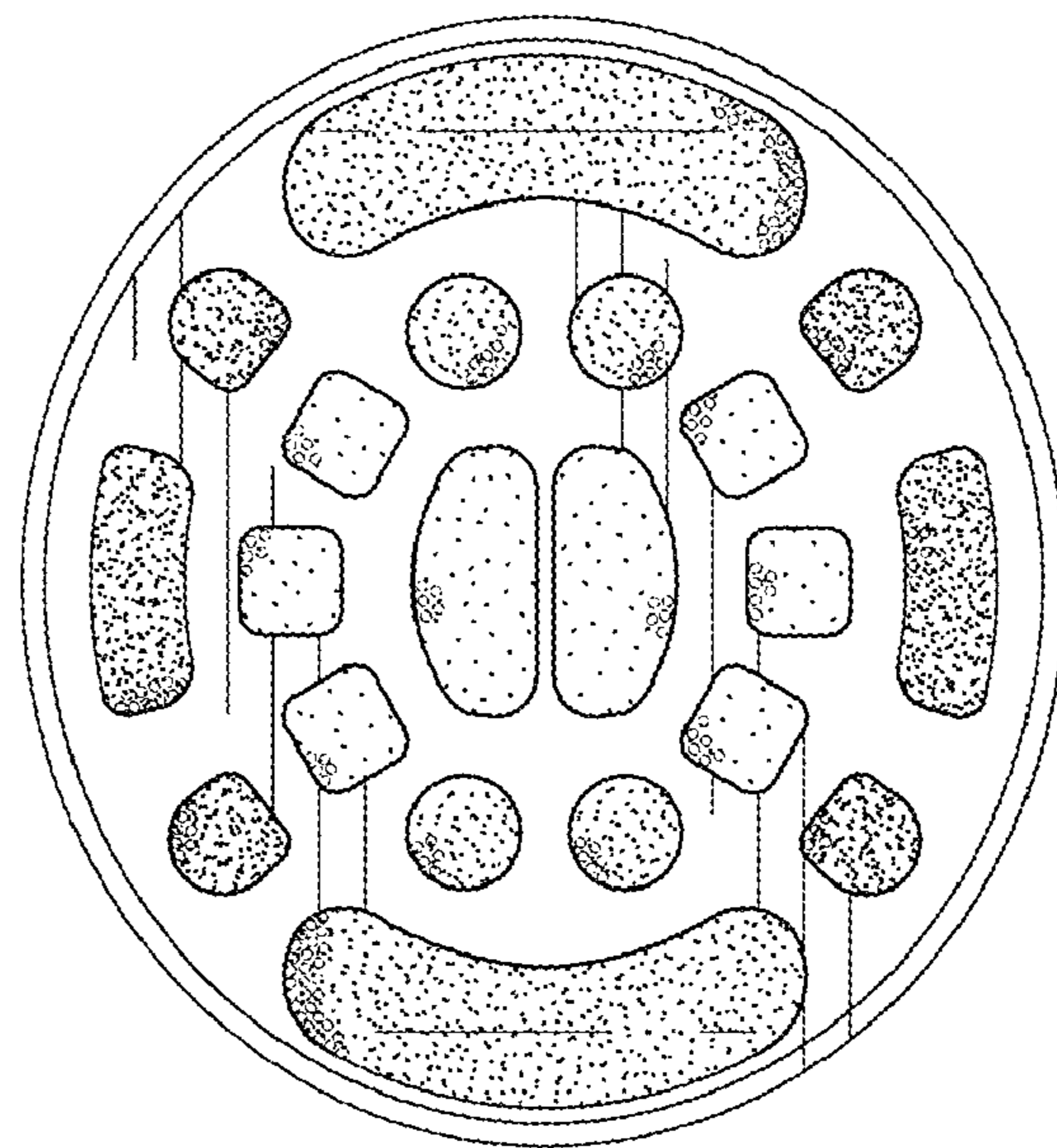


Fig. 5