



US00D606753S

(12) **United States Design Patent**
Tuominen et al.

(10) **Patent No.:** **US D606,753 S**

(45) **Date of Patent:** **** Dec. 29, 2009**

(54) **CHAIN CONTAINER**

(75) Inventors: **Jay Michael Tuominen**, Plymouth, MN
(US); **Craig Arko**, Apple Valley, MN
(US); **Randy Koch**, Minnetonka, MN
(US)

(73) Assignee: **Koch Industries, Inc.**, Minneapolis, MN
(US)

(**) Term: **14 Years**

(21) Appl. No.: **29/329,967**

(22) Filed: **Dec. 24, 2008**

(51) **LOC (9) Cl.** **03-01**

(52) **U.S. Cl.** **D3/302**

(58) **Field of Classification Search** D3/272-274,
D3/294-296, 302; D34/7-8; 206/503, 508
See application file for complete search history.

(56) **References Cited**

U.S. PATENT DOCUMENTS

D142,962 S	*	11/1945	Miller	D21/392
D326,945 S	*	6/1992	Howitt	D3/294
D330,328 S	*	10/1992	DiSesa, Jr.	D3/294
D334,453 S	*	3/1993	Koloski	D3/323
D336,243 S	*	6/1993	Evans	D3/294
D351,701 S	*	10/1994	Sawatsky	D34/7
D386,904 S	*	12/1997	Bradshaw, Jr.	D3/273
D429,882 S	*	8/2000	Lee et al.	D3/294

D515,313 S	*	2/2006	Uffner et al.	D3/294
D535,478 S	*	1/2007	Uffner et al.	D3/302
D544,169 S	*	6/2007	Jones	D34/7
2006/0169696 A1	*	8/2006	Taylor	220/326

* cited by examiner

Primary Examiner—Philip S Hyder

Assistant Examiner—Roselynn Cody

(74) *Attorney, Agent, or Firm*—Fish & Richardson P.C.

(57) **CLAIM**

The ornamental design for a chain container, substantially as shown and described.

DESCRIPTION

FIG. 1 is a perspective view of a chain container.

FIG. 2 is a front view of the chain container of FIG. 1.

FIG. 3 is a top view of the chain container of FIG. 1.

FIG. 4 is a bottom view of the chain container of FIG. 1.

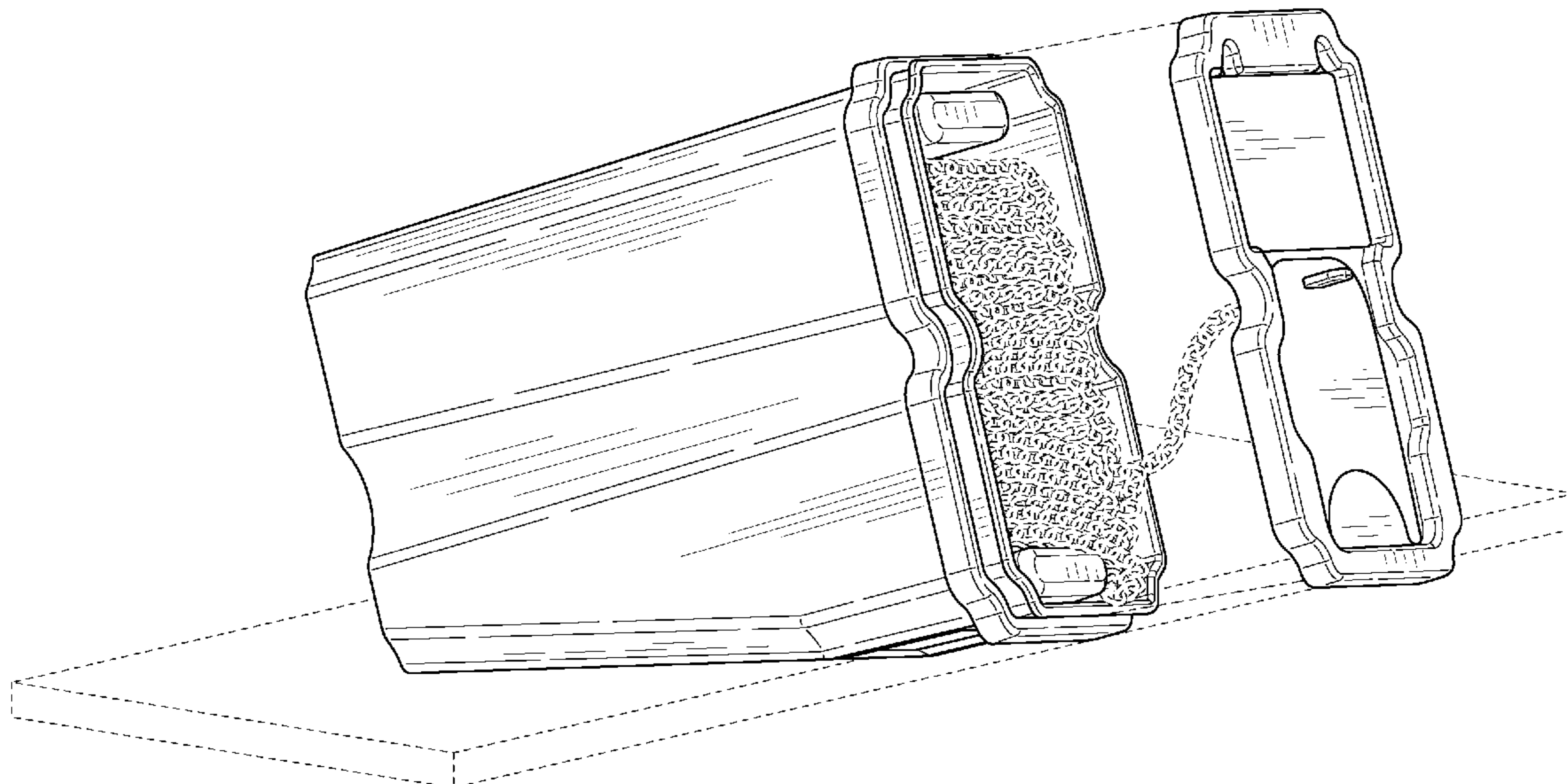
FIG. 5 is a perspective exploded view of the chain container of FIG. 1.

FIG. 6 is a side view of the chain container of FIG. 1 in a first orientation; and,

FIG. 7 is a side view of the chain container of FIG. 1 in a second orientation.

The broken lines in the figures define environment of the claimed design and form no part thereof.

1 Claim, 5 Drawing Sheets



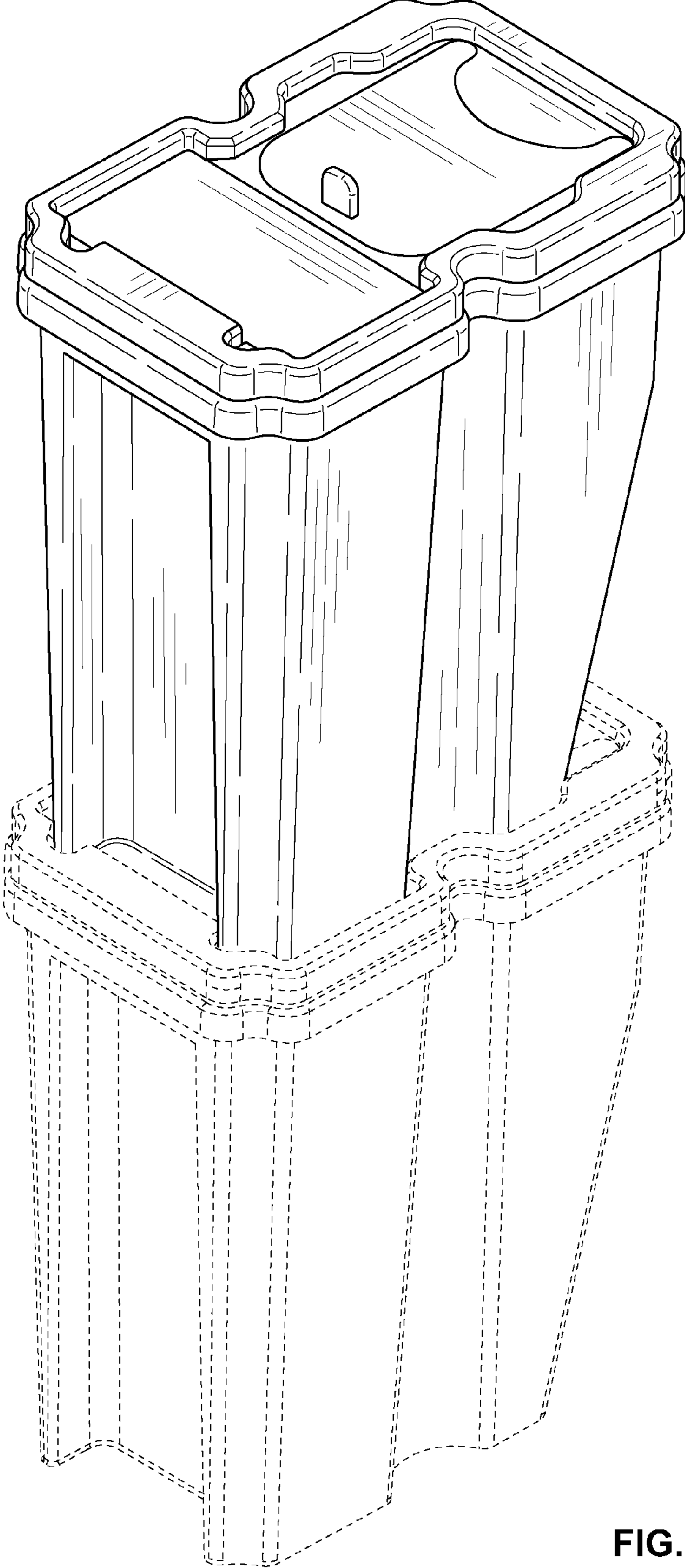


FIG. 1

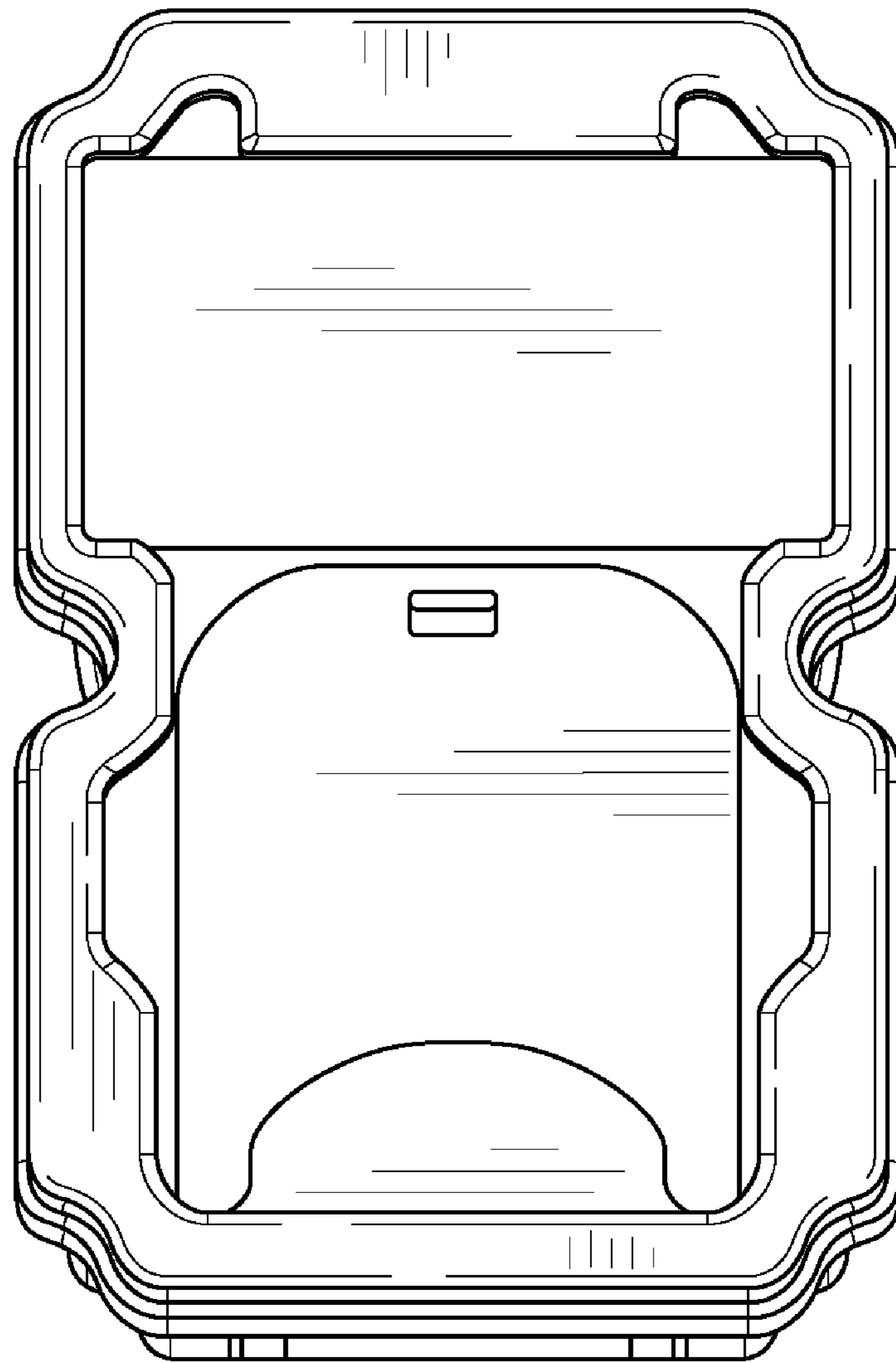


FIG. 2

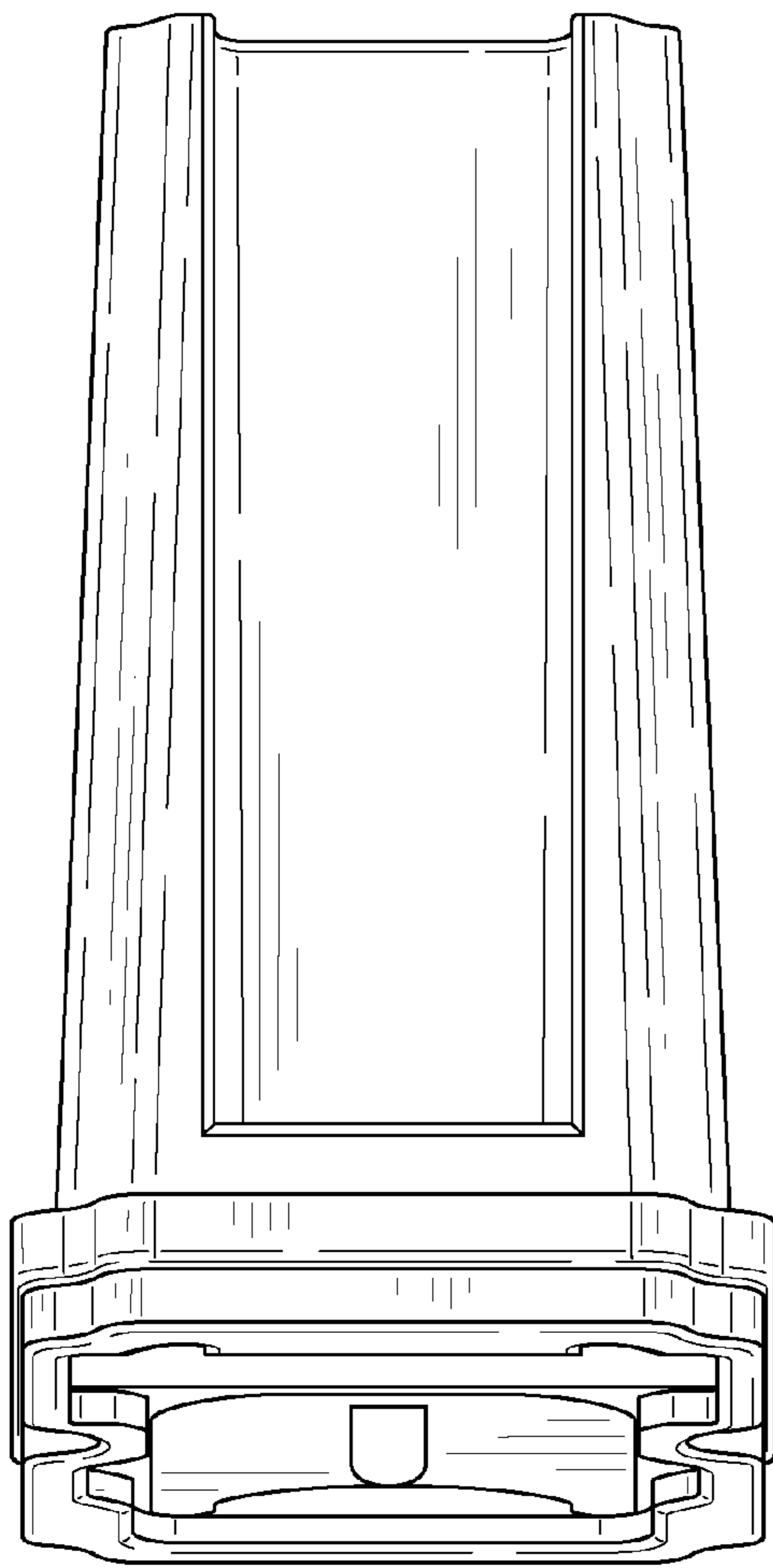


FIG. 3

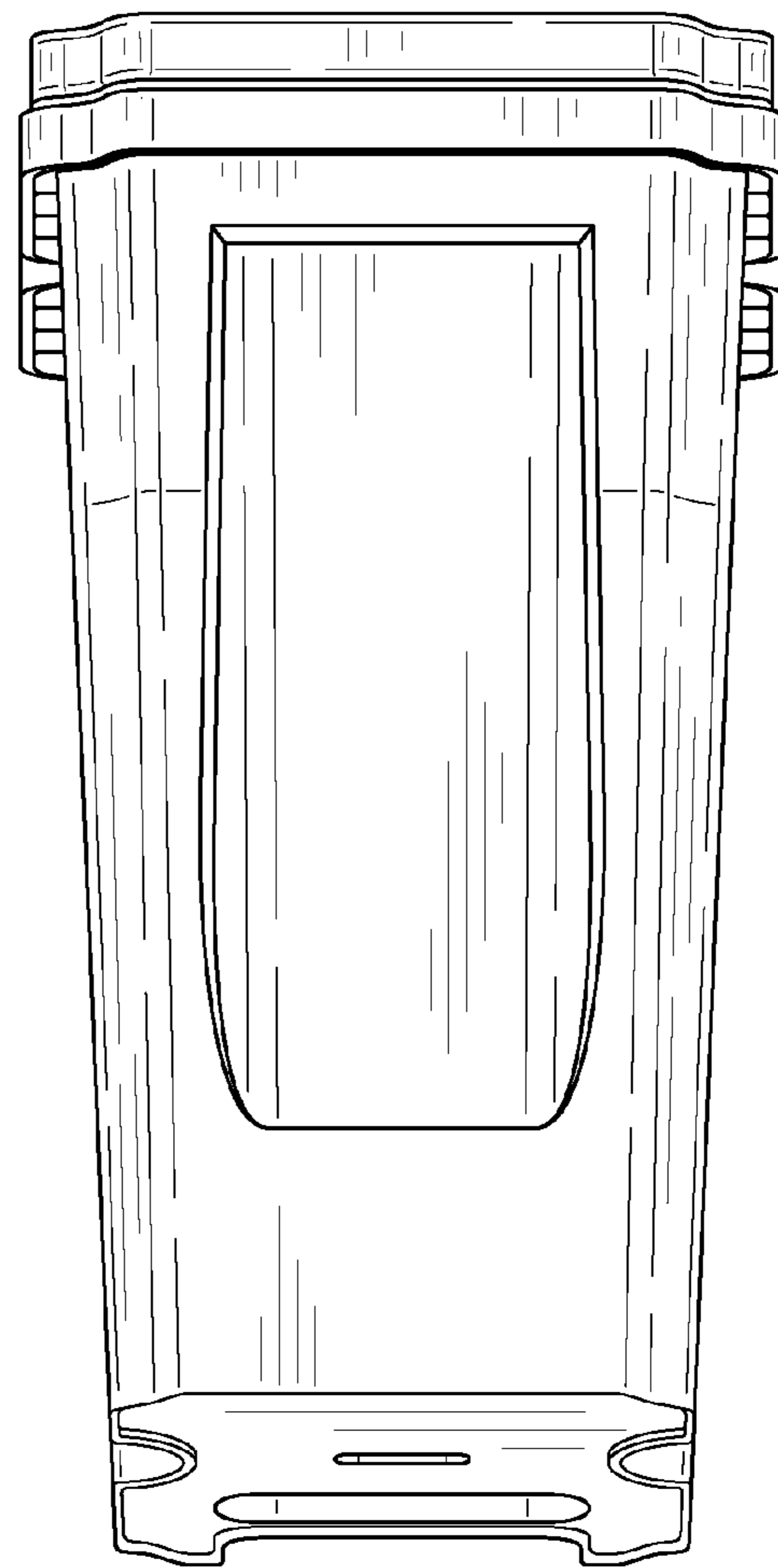


FIG. 4

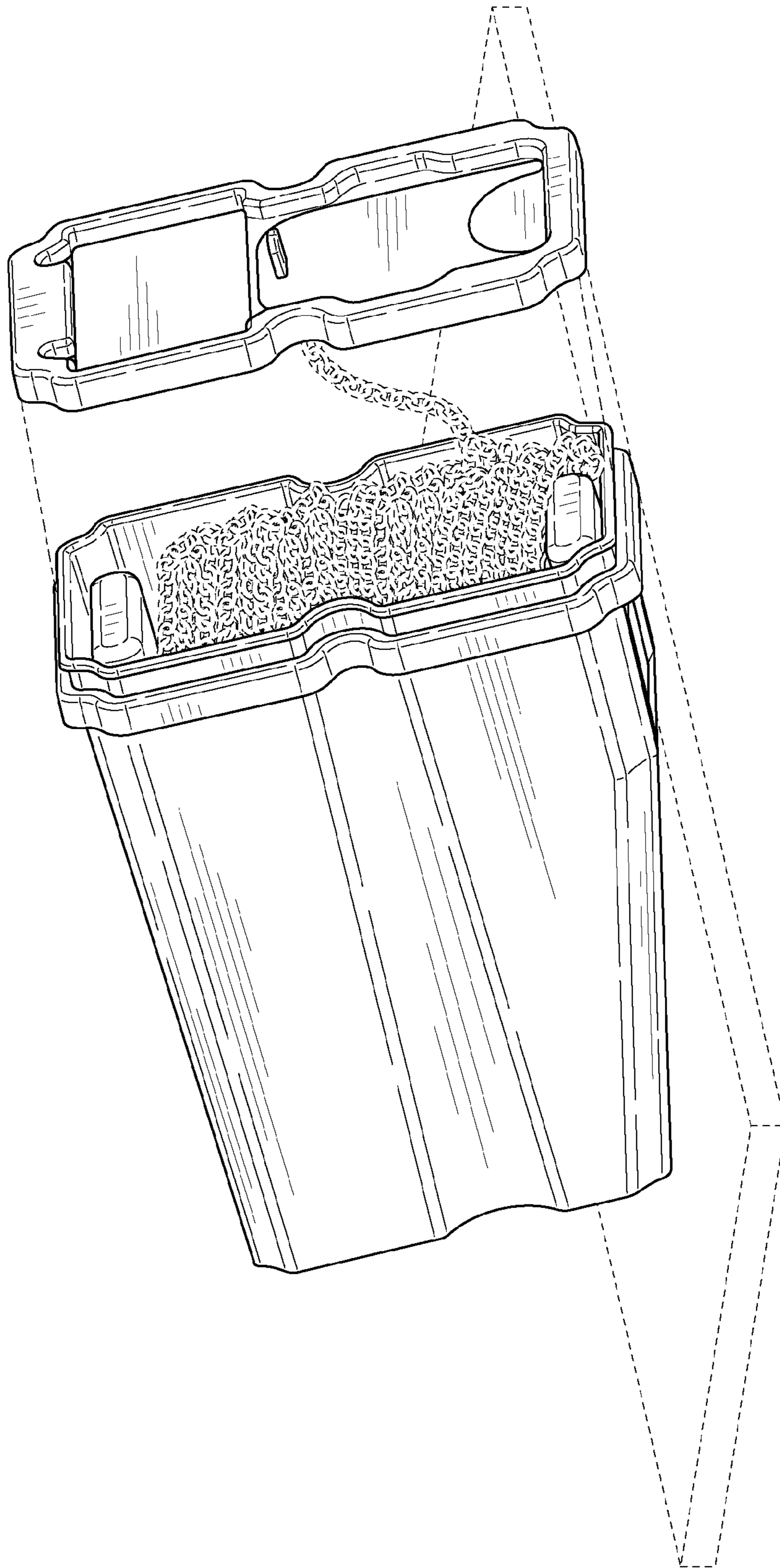


FIG. 5

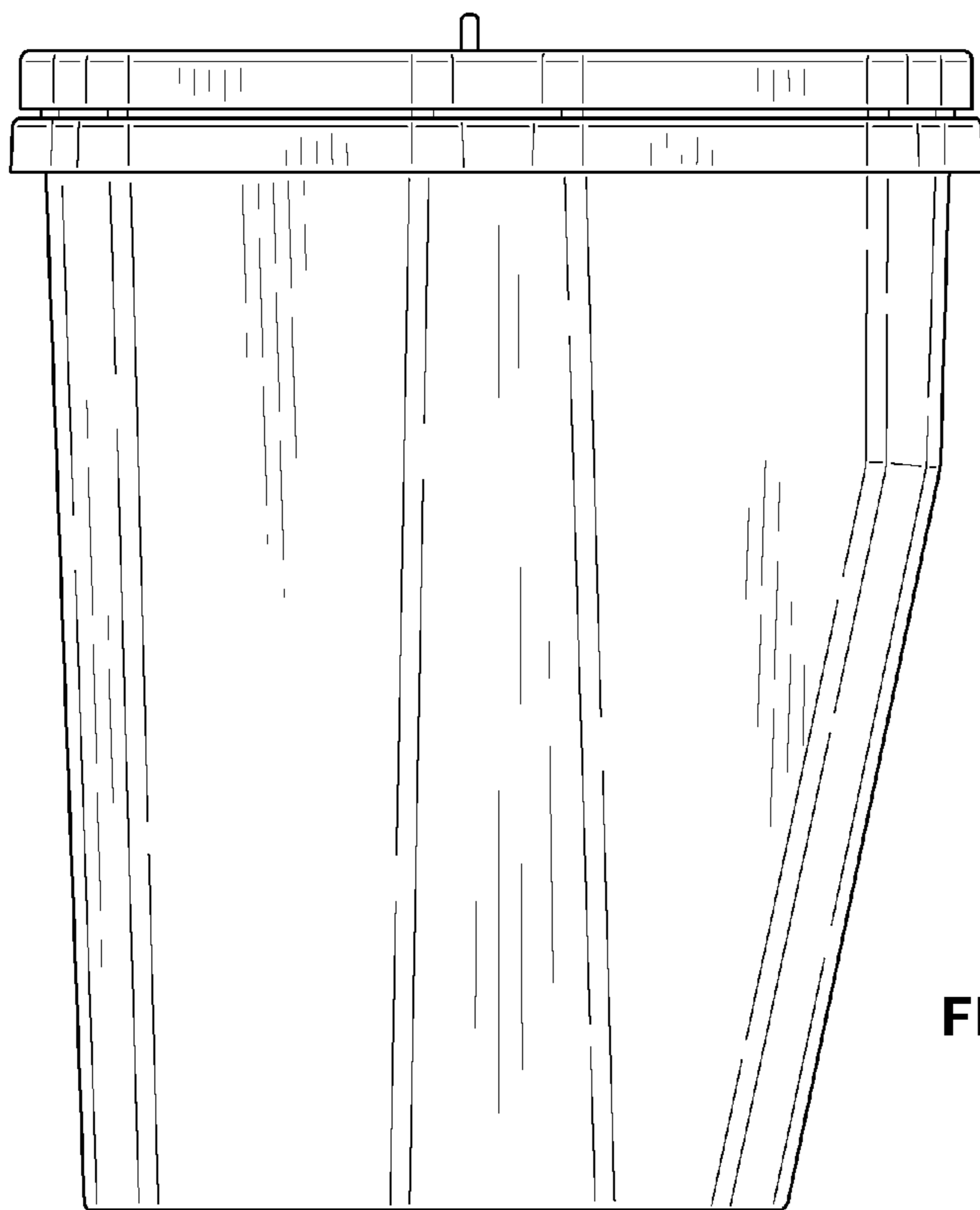


FIG. 6

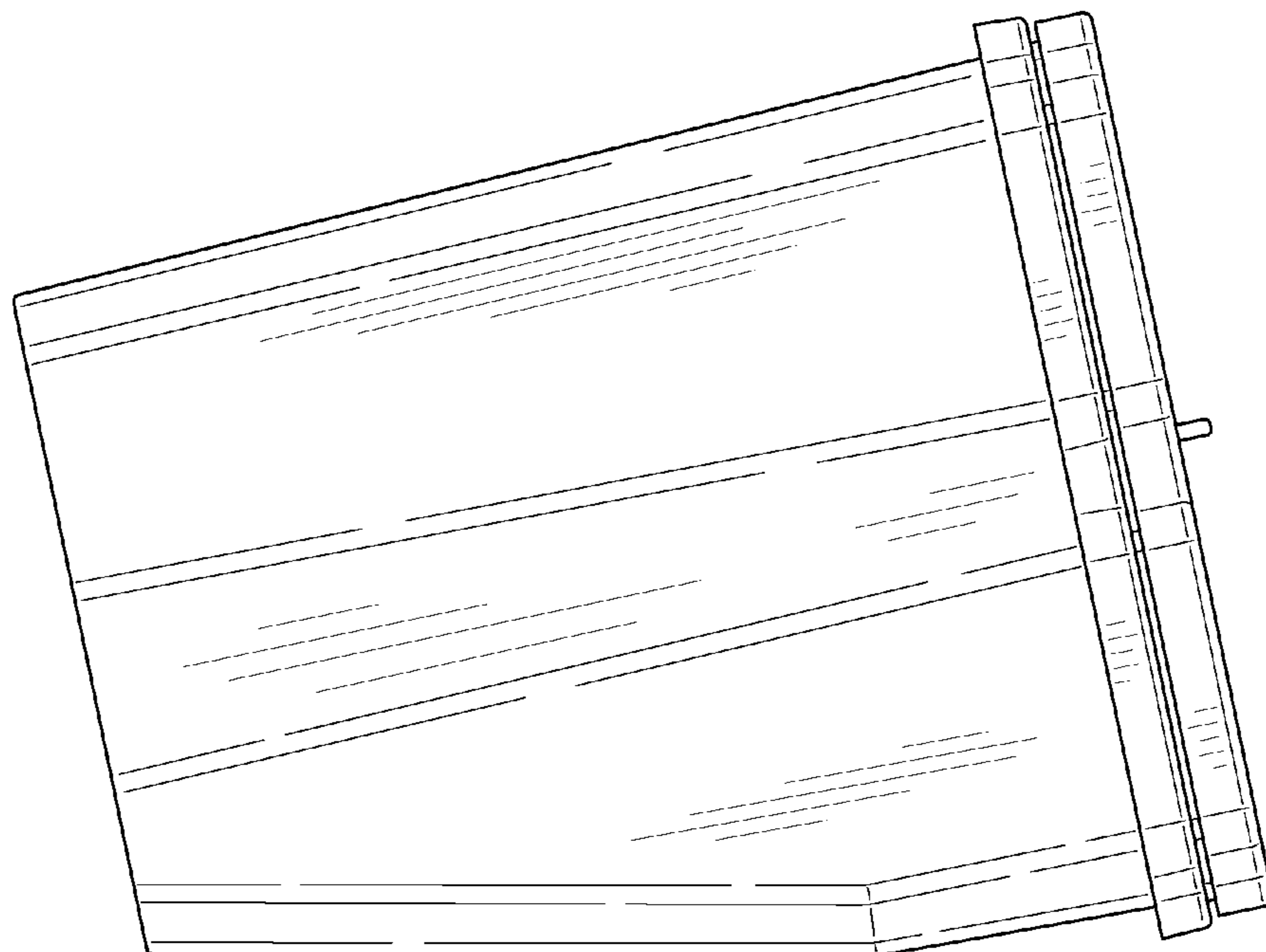


FIG. 7