



US00D606751S

(12) **United States Design Patent**  
**Andre et al.**

(10) **Patent No.:** **US D606,751 S**  
(45) **Date of Patent:** **\*\* Dec. 29, 2009**

(54) **COVER**

D337,569 S \* 7/1993 Kando ..... D14/341

(75) Inventors: **Bartley K. Andre**, Menlo Park, CA (US); **Peter Russell-Clarke**, San Francisco, CA (US); **Daniel J. Coster**, San Francisco, CA (US); **Daniele De Iuliis**, San Francisco, CA (US); **Richard P. Howarth**, San Francisco, CA (US); **Jonathan P. Ive**, San Francisco, CA (US); **Duncan Robert Kerr**, San Francisco, CA (US); **Shin Nishibori**, Portola Valley, CA (US); **Matthew Dean Rohrbach**, San Francisco, CA (US); **Douglas B. Satzger**, Menlo Park, CA (US); **Calvin Q. Seid**, Palo Alto, CA (US); **Vincent Keane Seid**, legal representative, Los Gatos, CA (US); **Christopher J. Stringer**, Woodside, CA (US); **Eugene Antony Whang**, San Francisco, CA (US); **Rico Zorkendorfer**, San Francisco, CA (US)

(Continued)

**OTHER PUBLICATIONS**

U.S. Appl. No. 29/281,493 entitled "Case" filed Jun. 25, 2007.  
U.S. Appl. No. 29/284,335 entitled "Sleeve" filed Sep. 5, 2007.  
U.S. Appl. No. 29/282,425 entitled "Sleeve" filed Jul. 19, 2007.  
U.S. Appl. No. 29/240,316 entitled "Sleeve" filed Oct. 10, 2005.  
U.S. Appl. No. 29/284,329 entitled "Cover" filed Sep. 5, 2007.

*Primary Examiner*—Cathron C Brooks  
*Assistant Examiner*—Barbara Fox  
(74) *Attorney, Agent, or Firm*—Sterne, Kessler, Goldstein & Fox P.L.L.C.

(57) **CLAIM**

The ornamental design for cover, as shown and described.

**DESCRIPTION**

FIG. 1 is a front perspective view of a cover showing our new design in an environment in which it may be used;  
FIG. 2 is another front perspective view thereof;  
FIG. 3 is a front view thereof;  
FIG. 4 is a left side view thereof;  
FIG. 5 is a right side view thereof;  
FIG. 6 is a top plan view thereof;  
FIG. 7 is a bottom plan view thereof;  
FIG. 8 is a cross section taken along line 8—8 in FIG. 3; and,  
FIG. 9 is a cross section taken along line 9—9 in FIG. 3.

The broken line showing of portions of the COVER and an exemplary electronic device are for the purpose of illustrating environmental structure and form no part of the claimed design. By way of example, an exemplary electronic device with which the claimed design may be used is shown and described in application Ser. No. 29/270,887, now U.S. Design Patent No. D580,387.

(73) Assignee: **Apple Inc.**, Cupertino, CA (US)

(\*\*) Term: **14 Years**

(21) Appl. No.: **29/281,500**

(22) Filed: **Jun. 25, 2007**

(51) **LOC (9) Cl.** ..... **03-01**

(52) **U.S. Cl.** ..... **D3/269**

(58) **Field of Classification Search** ..... D14/341–346;  
D18/1, 2, 7, 11; 235/145 A, 145 R; 341/22,  
341/23, 156, 168, 169, 172, 173; 349/12;  
361/680–686, 690–696; D3/26, 27, 200,  
D3/207, 212, 218, 219, 232, 233; 206/320;  
150/165

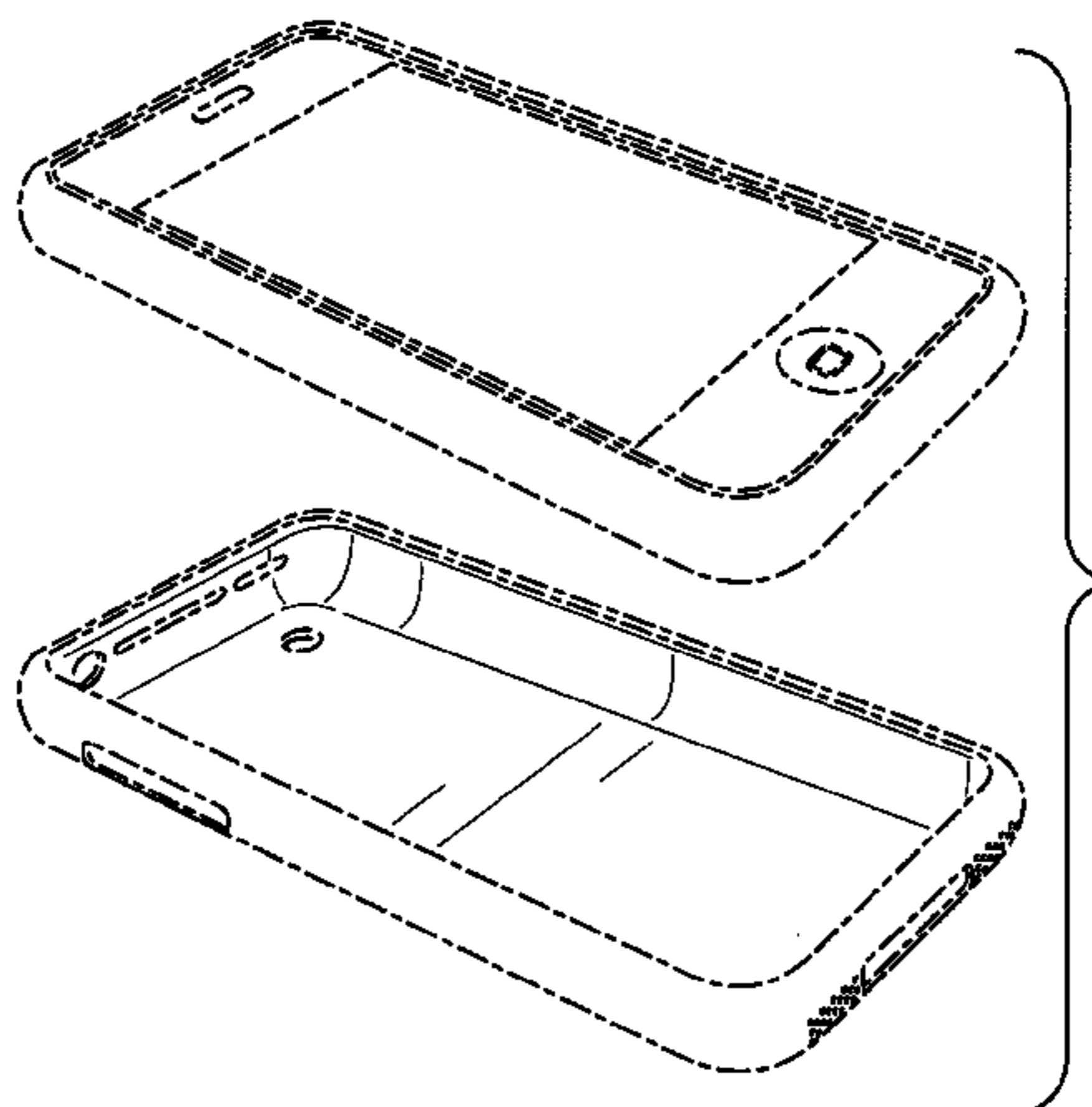
See application file for complete search history.

(56) **References Cited**

**U.S. PATENT DOCUMENTS**

D287,905 S \* 1/1987 Oyamada ..... D3/218  
D312,534 S \* 12/1990 Nelson et al. .... D3/228

**1 Claim, 7 Drawing Sheets**



# US D606,751 S

Page 2

## U.S. PATENT DOCUMENTS

5,253,292	A *	10/1993	Fluder et al. ....	379/426	D561,092	S *	2/2008	Kim .....	D13/103
5,360,108	A *	11/1994	Alagia .....	206/320	D563,093	S *	3/2008	Nussberger .....	D3/201
D365,927	S *	1/1996	Cho .....	D3/218	D565,290	S *	4/2008	Brandenburg et al. ....	D3/218
D366,463	S	1/1996	Ive et al.		D565,291	S *	4/2008	Brandenburg et al. ....	D3/218
D475,850	S	6/2003	Andre et al.		D574,819	S *	8/2008	Andre et al. ....	D14/250
D476,149	S	6/2003	Andre et al.		D575,056	S *	8/2008	Tan .....	D3/218
D503,532	S	4/2005	Andre et al.		7,428,427	B2 *	9/2008	Brunstrom et al. ....	455/550.1
D527,176	S	8/2006	Andre et al.		D581,151	S *	11/2008	Aipa .....	D3/201
D533,348	S	12/2006	Andre et al.		D581,155	S *	11/2008	Richardson et al. ....	D3/218
D541,042	S	4/2007	Andre et al.		D582,149	S *	12/2008	Tan .....	D3/218
D551,252	S	9/2007	Andrea et al.		D582,918	S *	12/2008	Scott .....	D14/432
D555,904	S *	11/2007	Snell .....	D3/304	D587,008	S *	2/2009	Richardson et al. ....	D3/218
D556,681	S *	12/2007	Kim .....	D13/103	D587,896	S *	3/2009	Aipa .....	D3/201
D558,756	S *	1/2008	Andre et al. ....	D14/341	D593,750	S *	6/2009	Song .....	D3/269
D558,757	S *	1/2008	Andre et al. ....	D14/341	2004/0145576	A1 *	7/2004	Zondag .....	345/173
D558,758	S *	1/2008	Andre et al. ....	D14/341	2007/0158220	A1 *	7/2007	Cleereman et al. ....	206/320

\* cited by examiner

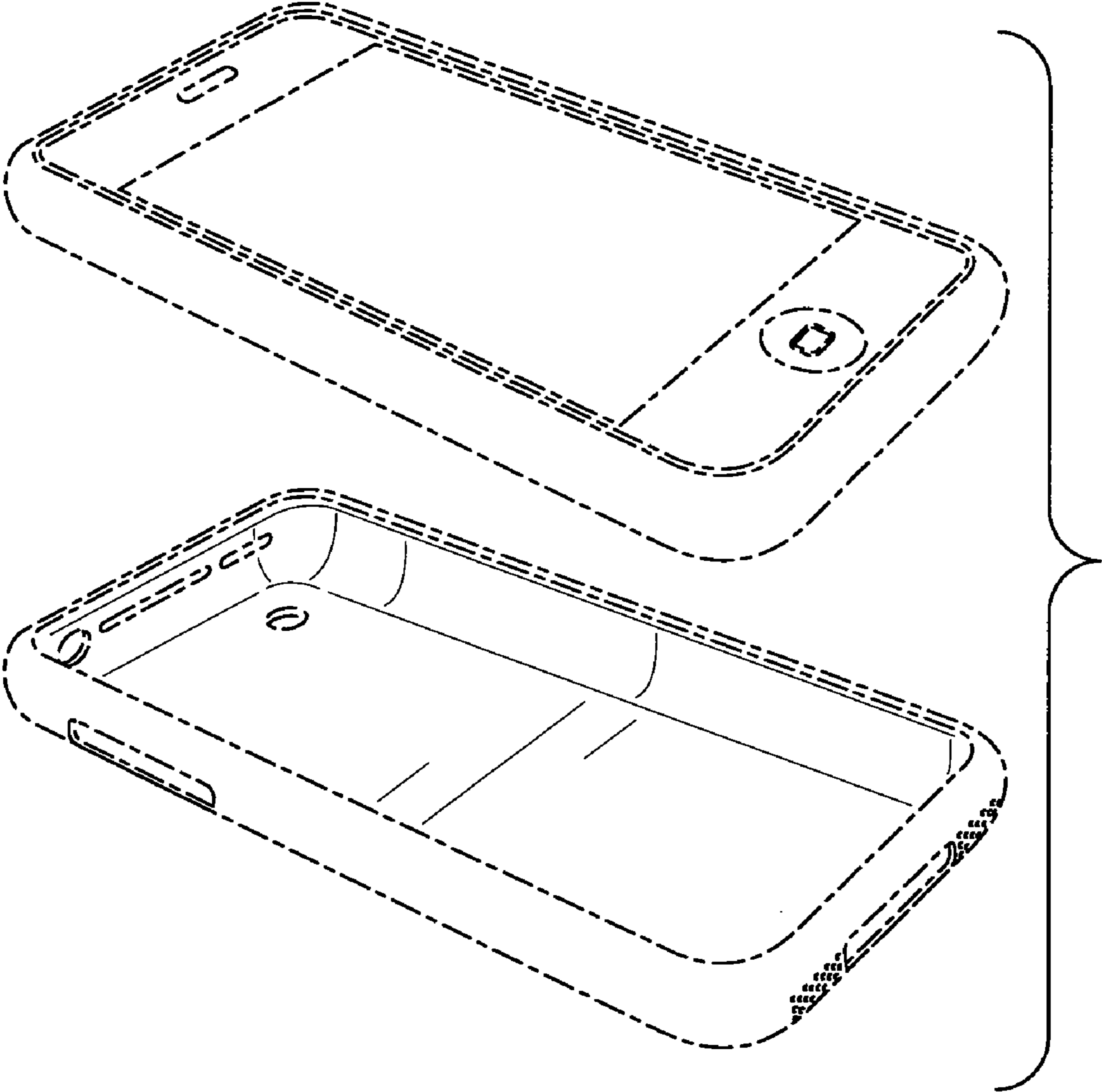


FIG. 1

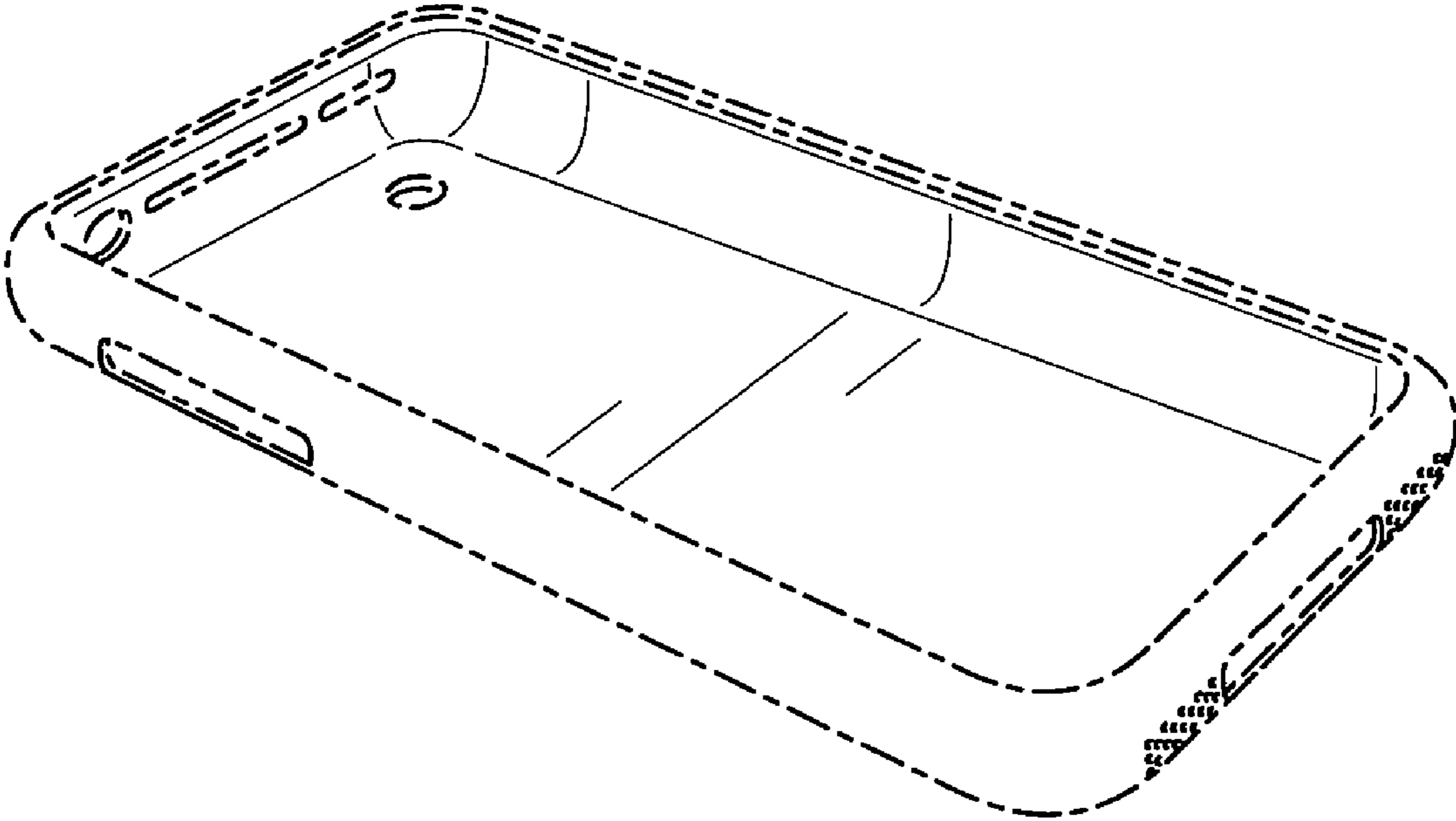


FIG. 2

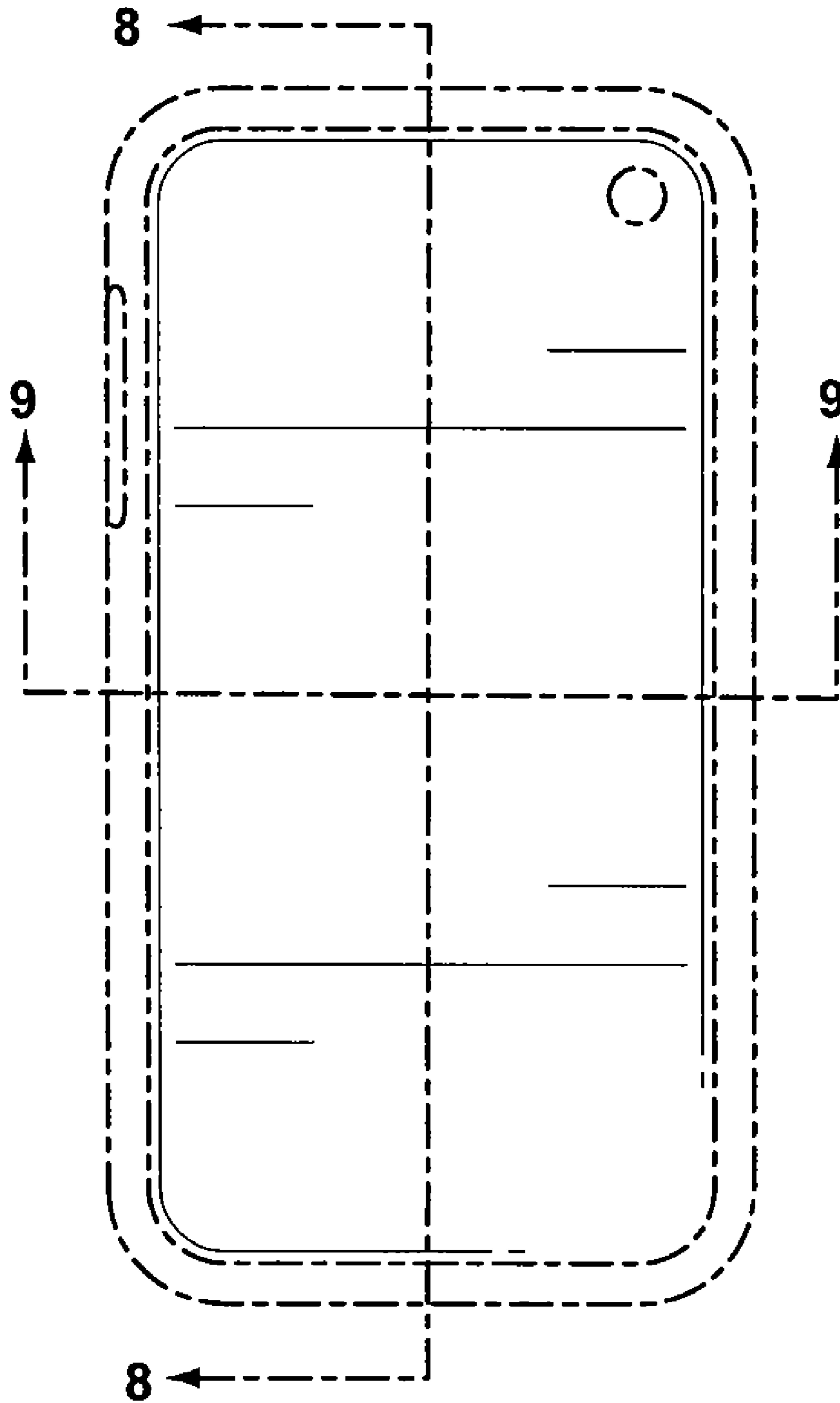


FIG. 3



FIG. 4

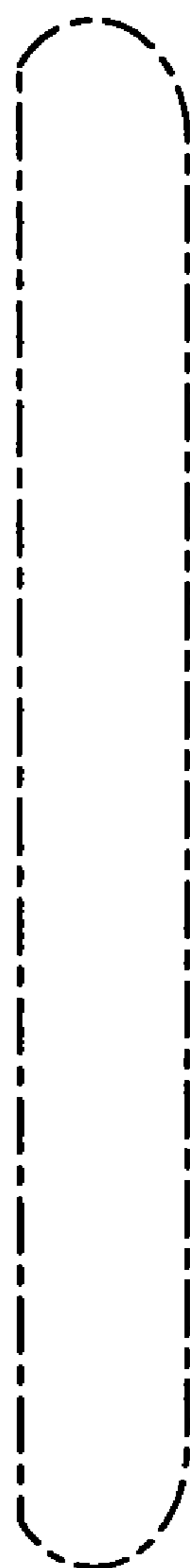
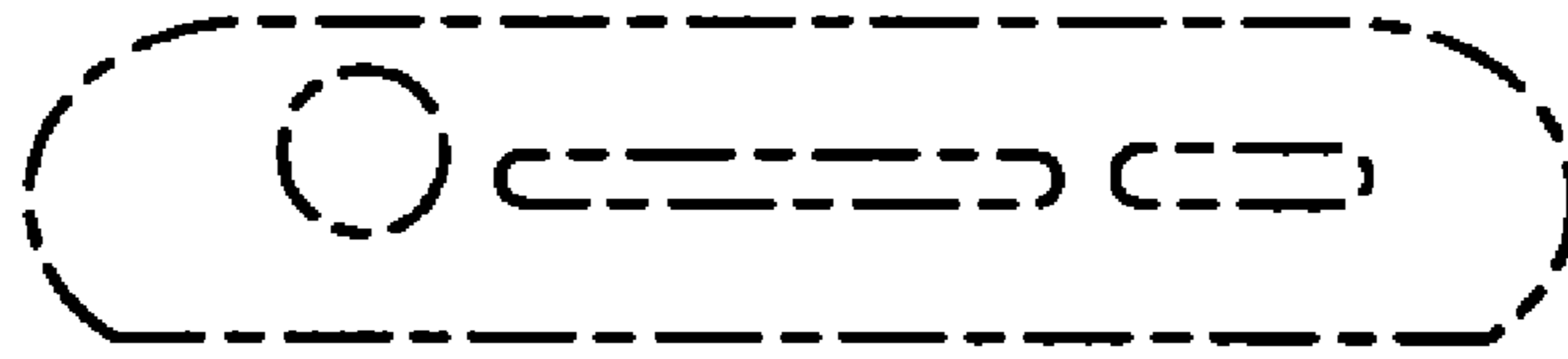
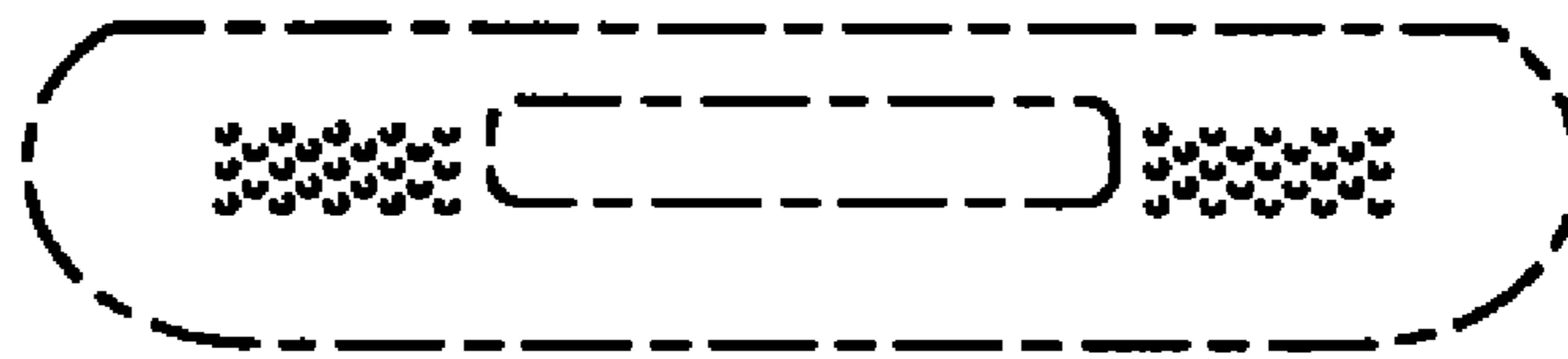


FIG. 5



**FIG. 6**



**FIG. 7**

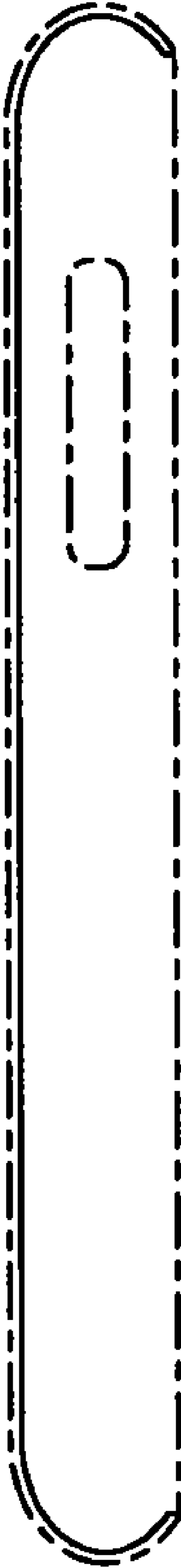
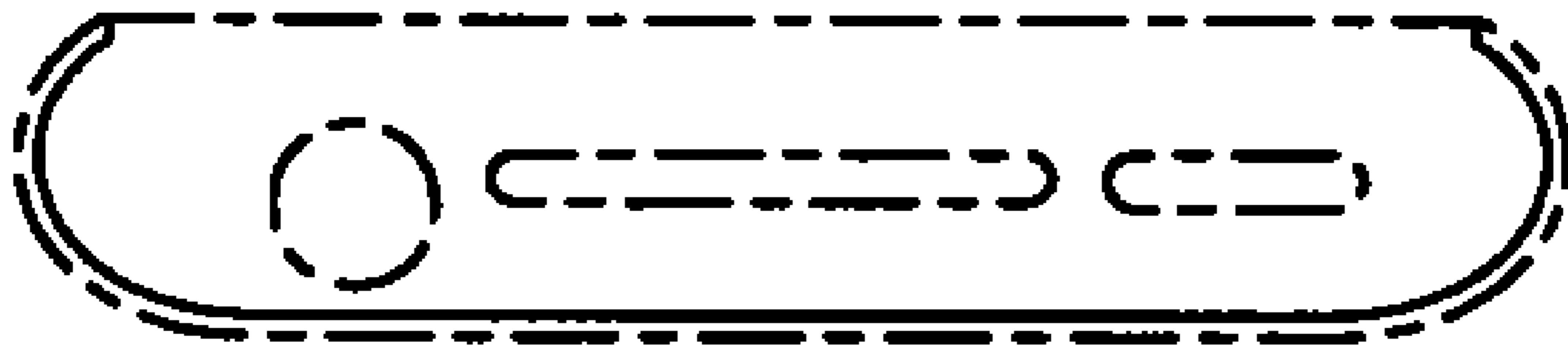


FIG. 8





**FIG. 9**