



US00D606735S

(12) **United States Design Patent**
Koehn

(10) **Patent No.:** **US D606,735 S**
(45) **Date of Patent:** **** Dec. 29, 2009**

- (54) **COMPONENT OF SUNSHADE**
- (76) Inventor: **Ekkehard Koehn**, 12 Hinkler Court,
Brendale, Queensland 4500 (AU)
- (**) Term: **14 Years**
- (21) Appl. No.: **29/294,143**
- (22) Filed: **Dec. 21, 2007**
- (30) **Foreign Application Priority Data**
Jun. 27, 2007 (AU) 316012
- (51) **LOC (9) Cl.** **03-03**
- (52) **U.S. Cl.** **D3/5**
- (58) **Field of Classification Search** D3/5-17;
D21/836-839; 135/15.1, 16, 17, 19, 20.1,
135/25.1, 25.2, 25.4, 25.33, 26, 29-31, 33.4,
135/33.41
See application file for complete search history.
- (56) **References Cited**
U.S. PATENT DOCUMENTS
5,842,493 A * 12/1998 Yakubisin 135/29
6,341,873 B1 * 1/2002 Yang 135/16
6,622,741 B2 * 9/2003 Lai 135/20.3

- 6,761,180 B1 * 7/2004 Lai 135/20.3
- D494,832 S * 8/2004 Pyatt D8/107
- 6,810,892 B2 * 11/2004 Lai 135/20.3
- D555,349 S * 11/2007 You D3/5

* cited by examiner

Primary Examiner—T. Chase Nelson
Assistant Examiner—Anhdao Doan
(74) *Attorney, Agent, or Firm*—Abelman, Frayne & Schwab

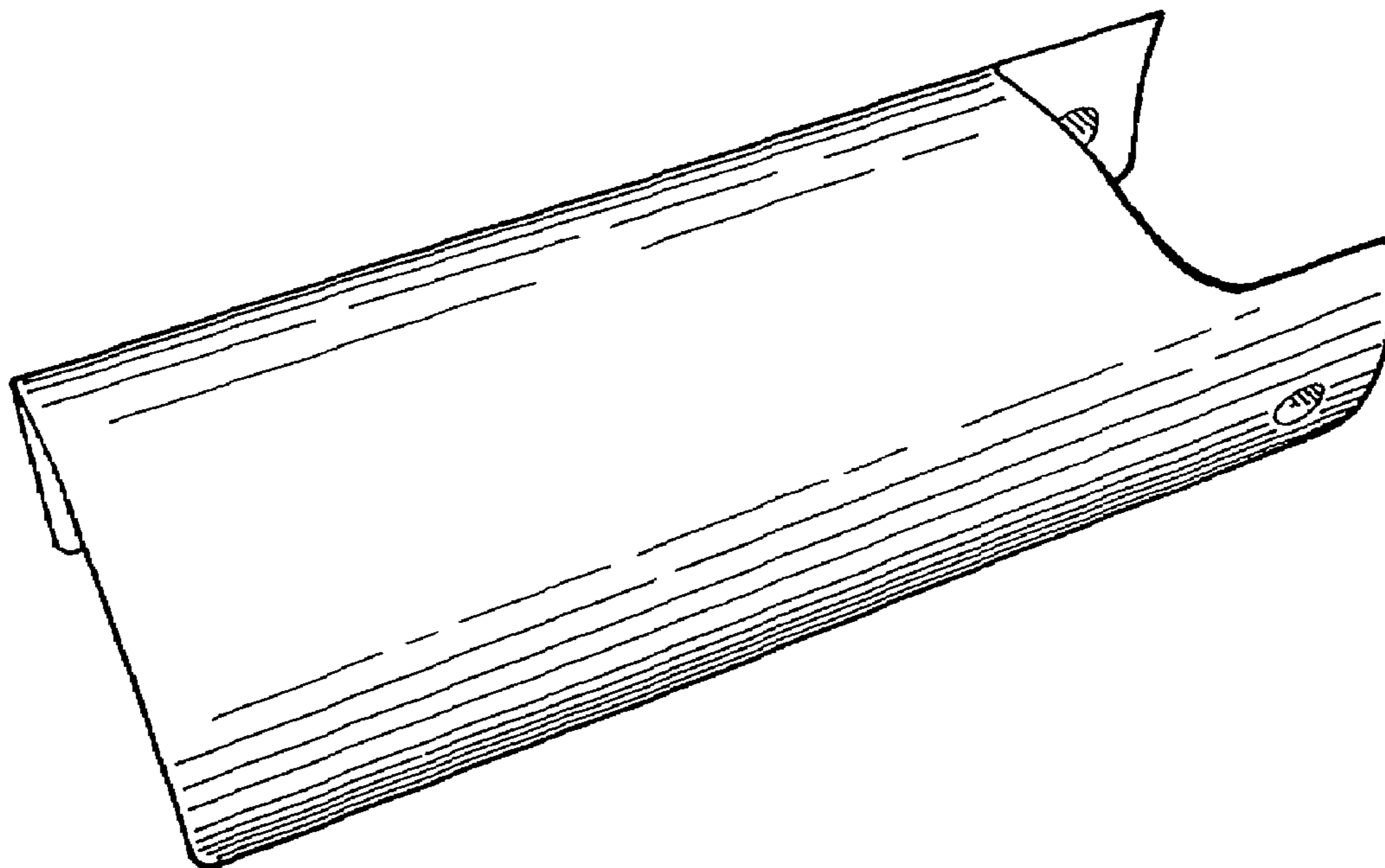
(57) **CLAIM**

The ornamental design for a component of sunshade, as shown and described.

DESCRIPTION

FIG. 1 is a top view of the component of sunshade showing my new design,
FIG. 2 is a top, front, right side perspective view thereof,
FIG. 3 is a top, rear, left side perspective view thereof,
FIG. 4 is a rear perspective elevation view thereof,
FIG. 5 is a rear, bottom, right side perspective view thereof;
and,
FIG. 6 is a bottom view thereof.

1 Claim, 3 Drawing Sheets



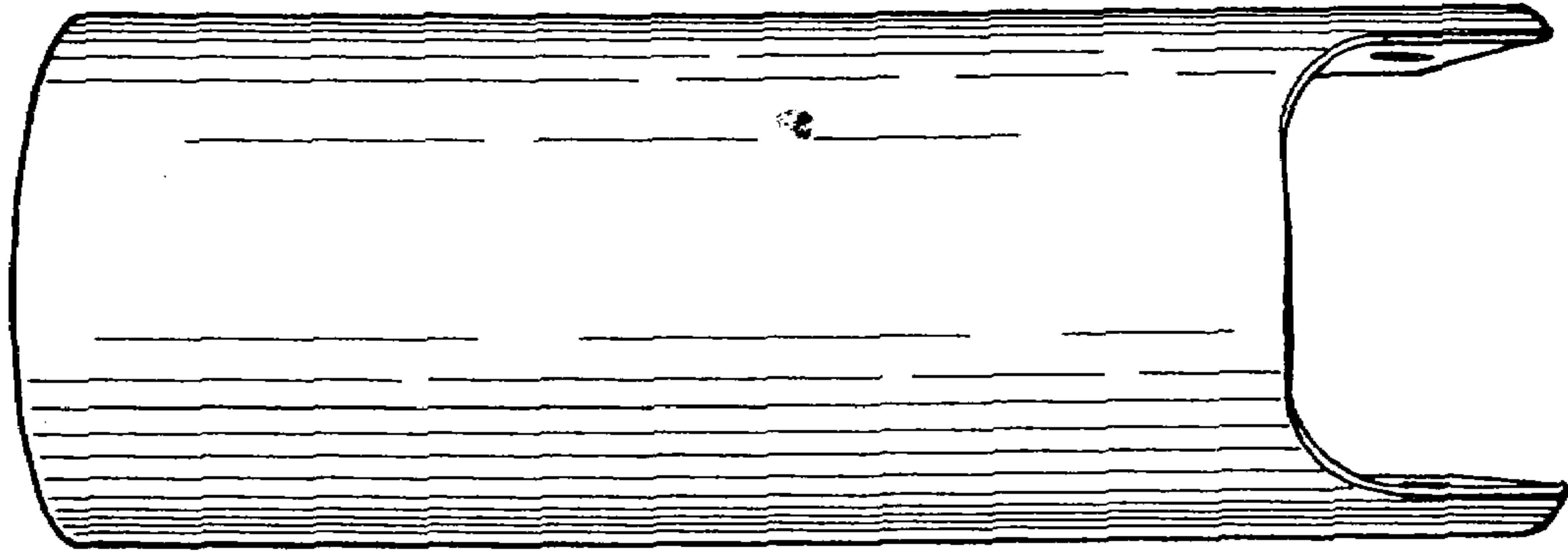


FIG. 1

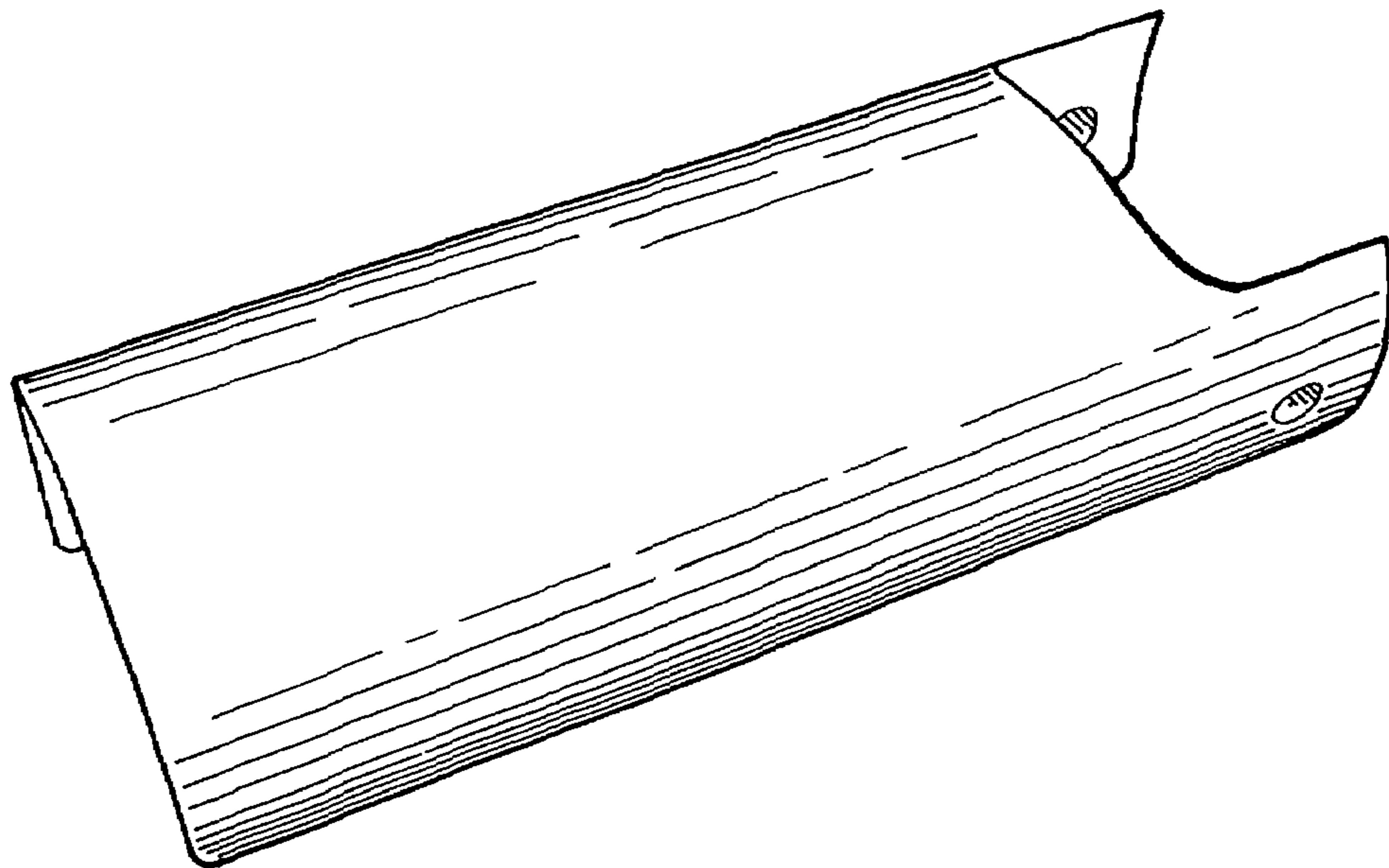


FIG. 2

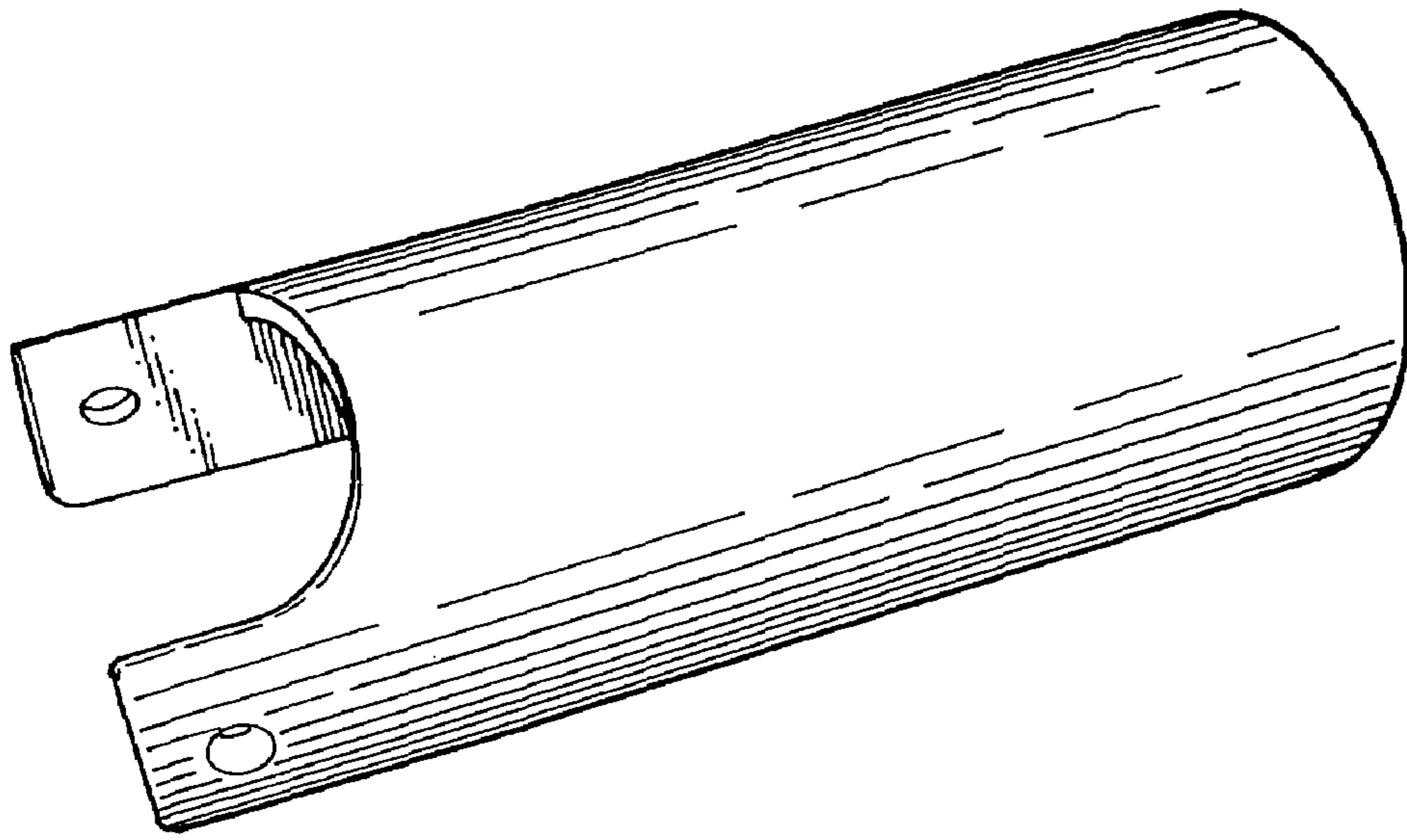


FIG. 3

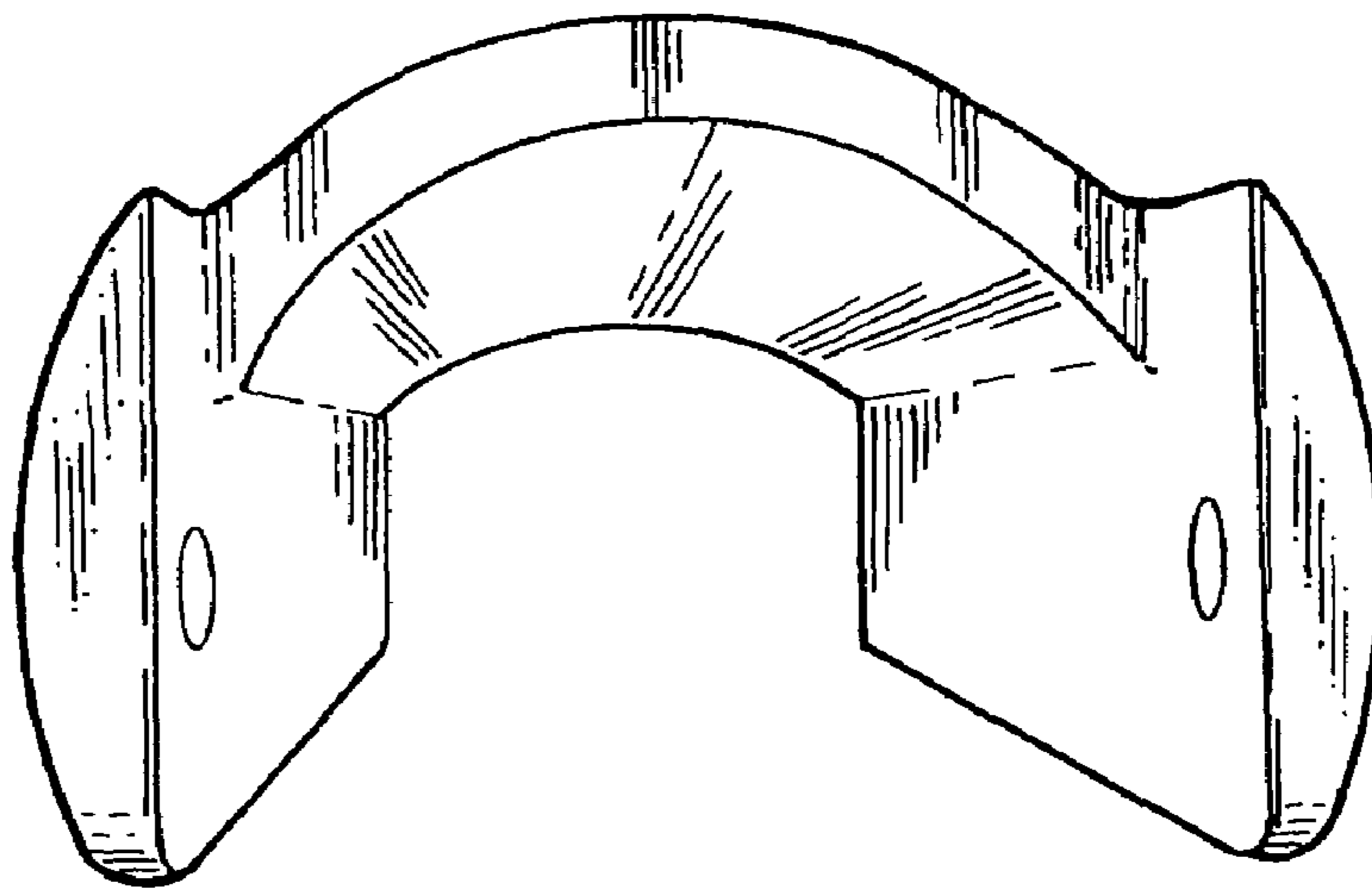


FIG. 4

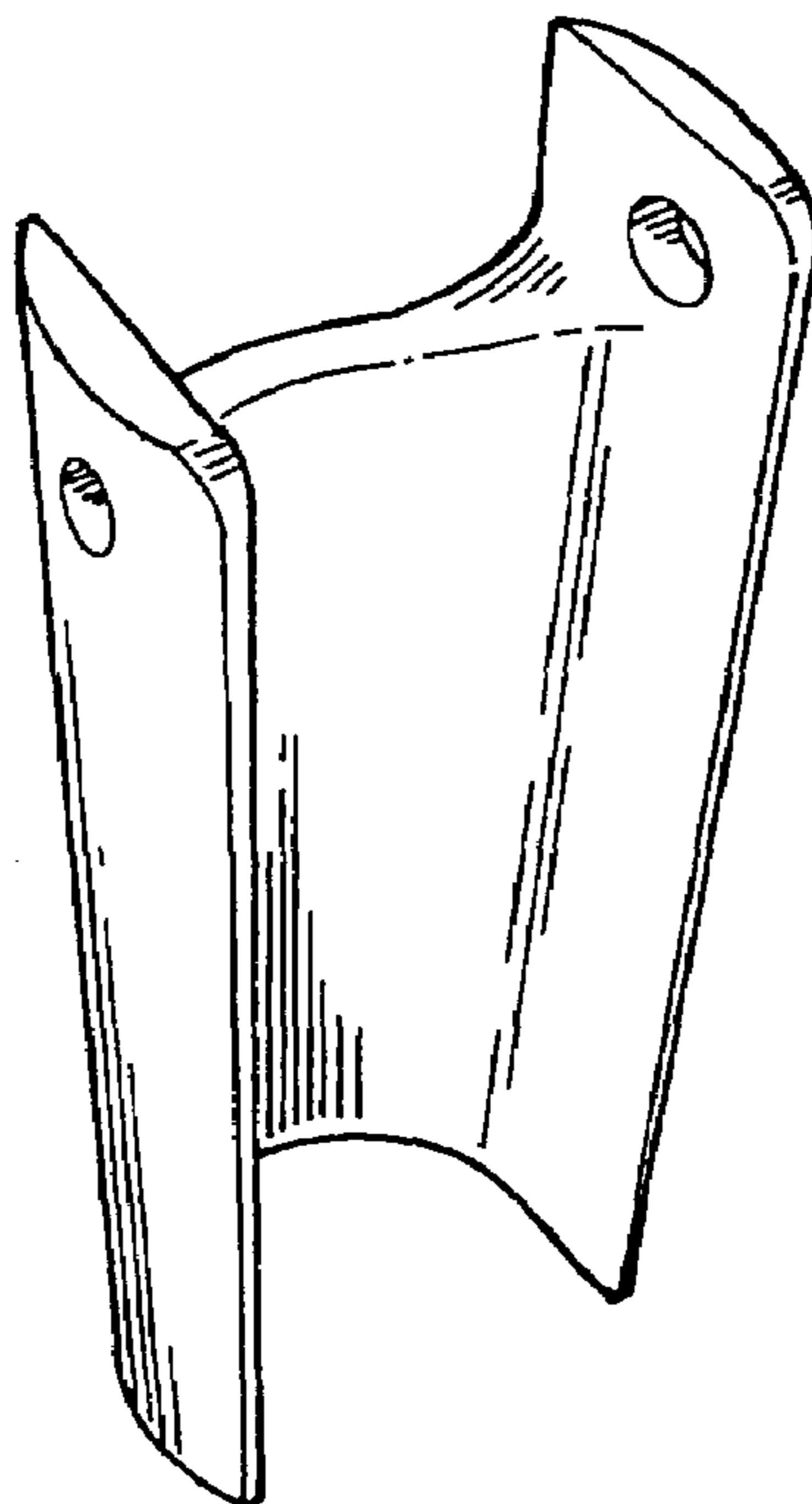


FIG. 5

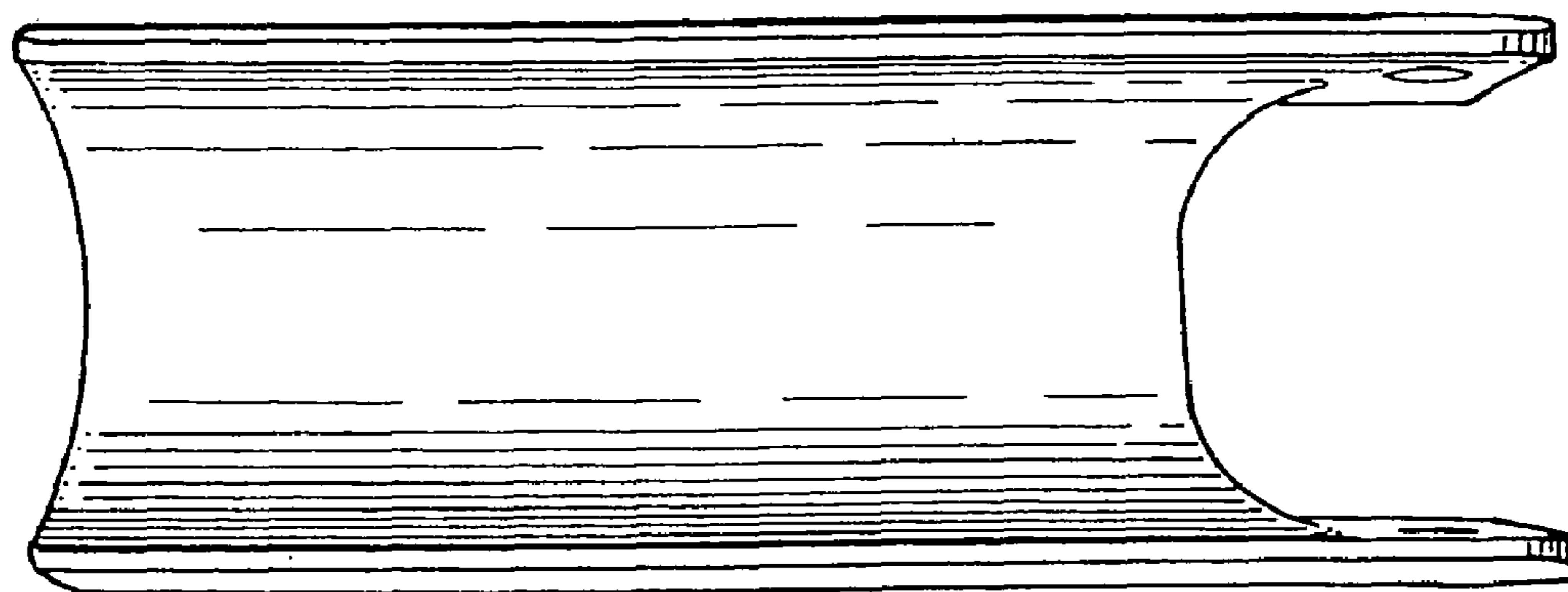


FIG. 6