



US00D606724S

(12) **United States Design Patent**  
**Weaver**

(10) **Patent No.:** **US D606,724 S**

(45) **Date of Patent:** **\*\* Dec. 22, 2009**

(54) **GAME LOADING DEVICE**

2008/0149583 A1\* 6/2008 Welker ..... 212/180

(76) Inventor: **Danny C. Weaver**, 1625 W. Kirby Pl.,  
Shreveport, LA (US) 71103

\* cited by examiner

*Primary Examiner*—Cynthia E Ramirez

(74) *Attorney, Agent, or Firm*—John M. Harrison

(\*\*) Term: **14 Years**

(21) Appl. No.: **29/313,960**

(57) **CLAIM**

(22) Filed: **Feb. 23, 2009**

The ornamental design for a “game loading device,” as shown and described.

(51) **LOC (9) Cl.** ..... **12-05**

(52) **U.S. Cl.** ..... **D34/28**

(58) **Field of Classification Search** ..... D34/28,  
D34/33; 212/260, 261, 180; 414/563, 540,  
414/462; 280/402; D22/199

See application file for complete search history.

**DESCRIPTION**

FIG. 1 is a perspective view of the game loading device, showing my new design;

FIG. 2 is a right side elevational view of the game loading device;

FIG. 3 is a left side elevational view thereof;

FIG. 4 is a rear elevational view thereof;

FIG. 5 is a front elevational view thereof;

FIG. 6 is a top plan view thereof;

FIG. 7 is a bottom plan view thereof; and,

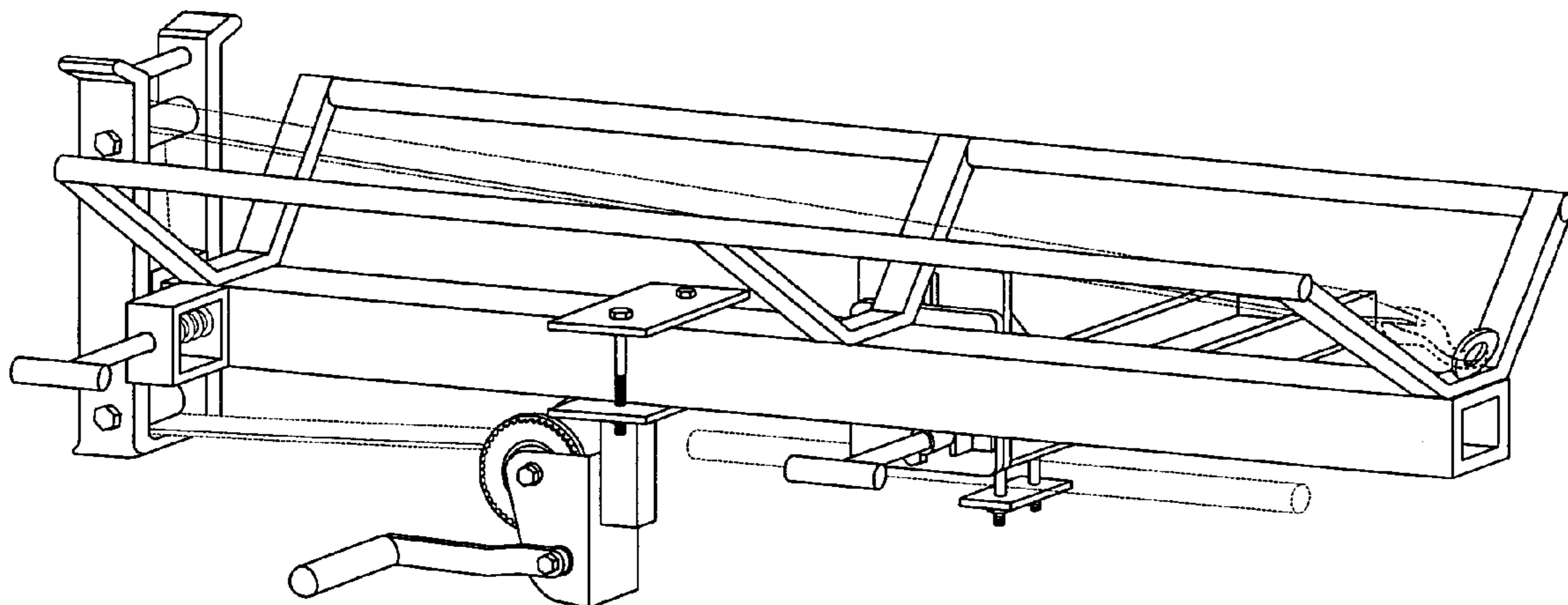
FIG. 8 is a perspective view of the game loading device illustrated in FIGS. 1–7, with a vehicle shown in broken lines for environmental purposes only and not forming part of the claimed design.

(56) **References Cited**

**U.S. PATENT DOCUMENTS**

3,896,949	A *	7/1975	Shipley	.....	414/563
D346,474	S *	4/1994	Lindgren	.....	D34/35
5,662,451	A *	9/1997	Muzzi et al.	.....	414/540
5,975,831	A *	11/1999	Martin	.....	414/543
D441,164	S *	4/2001	Suzuki	.....	D34/33
D469,224	S *	1/2003	Stenkvist et al.	.....	D34/28
6,530,738	B2 *	3/2003	Maxwell	.....	414/462
7,300,238	B1 *	11/2007	James	.....	414/540
7,549,545	B1 *	6/2009	Ashmore	.....	212/180
2006/0054580	A1 *	3/2006	Sherrod	.....	212/180
2007/0045211	A1 *	3/2007	Beatty	.....	212/180

**1 Claim, 4 Drawing Sheets**



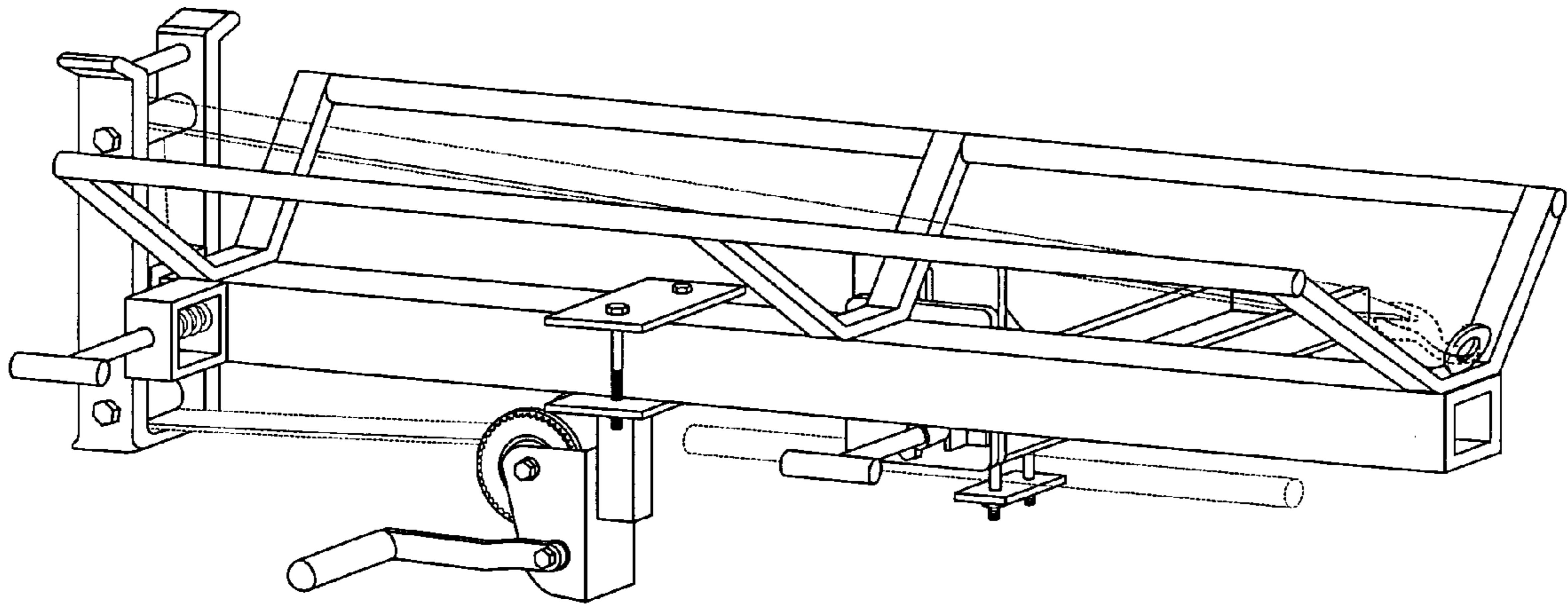


FIG. 1

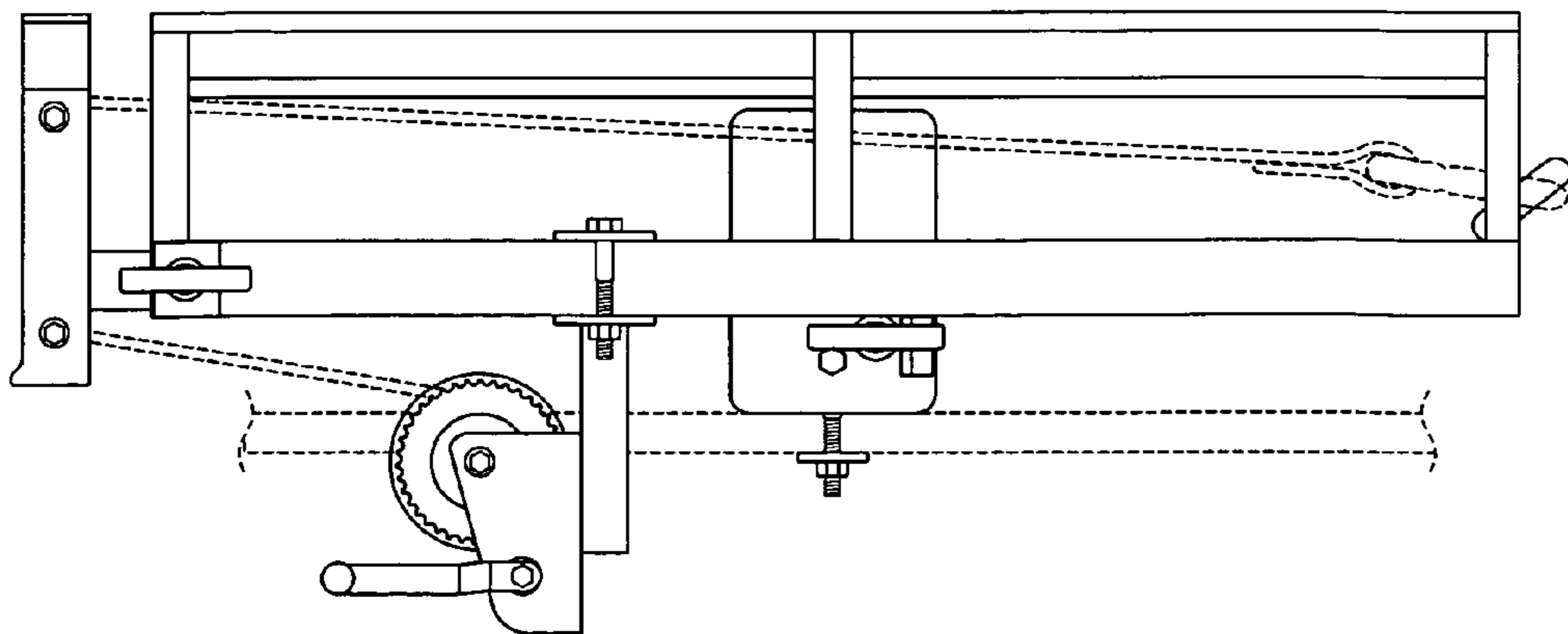
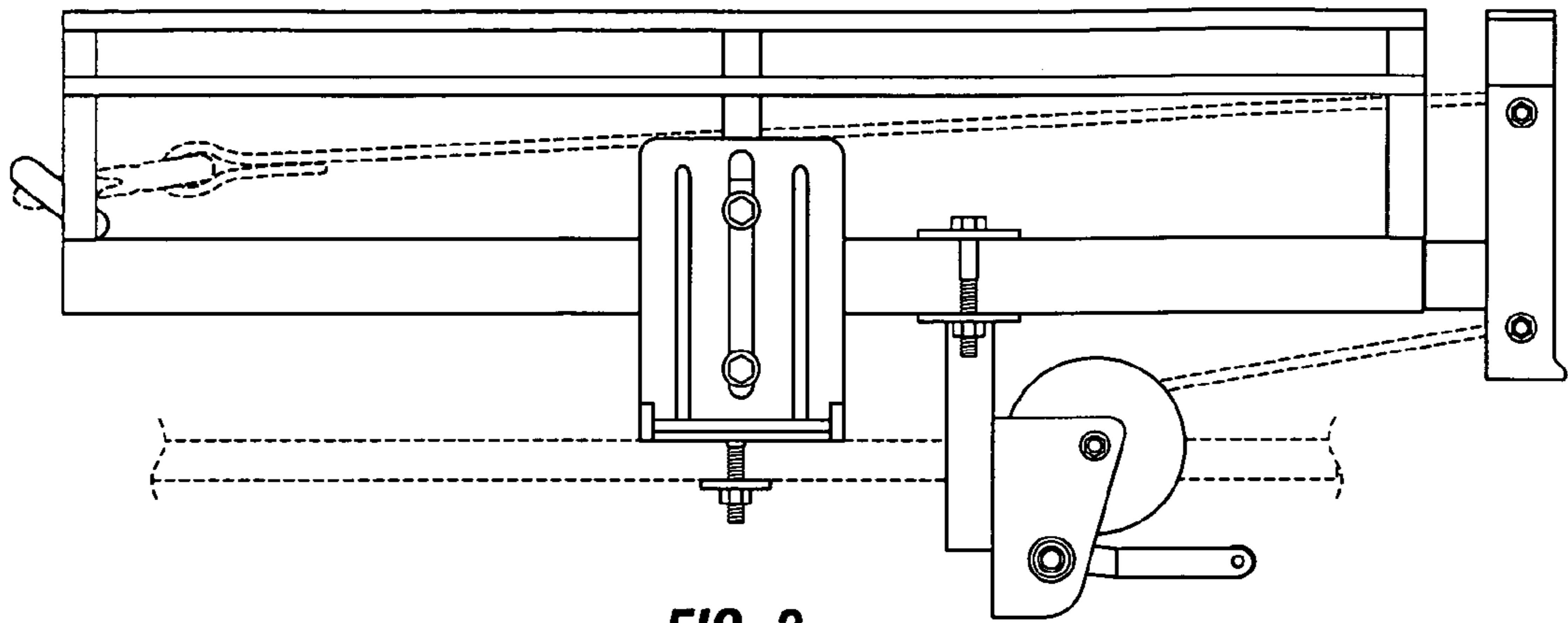
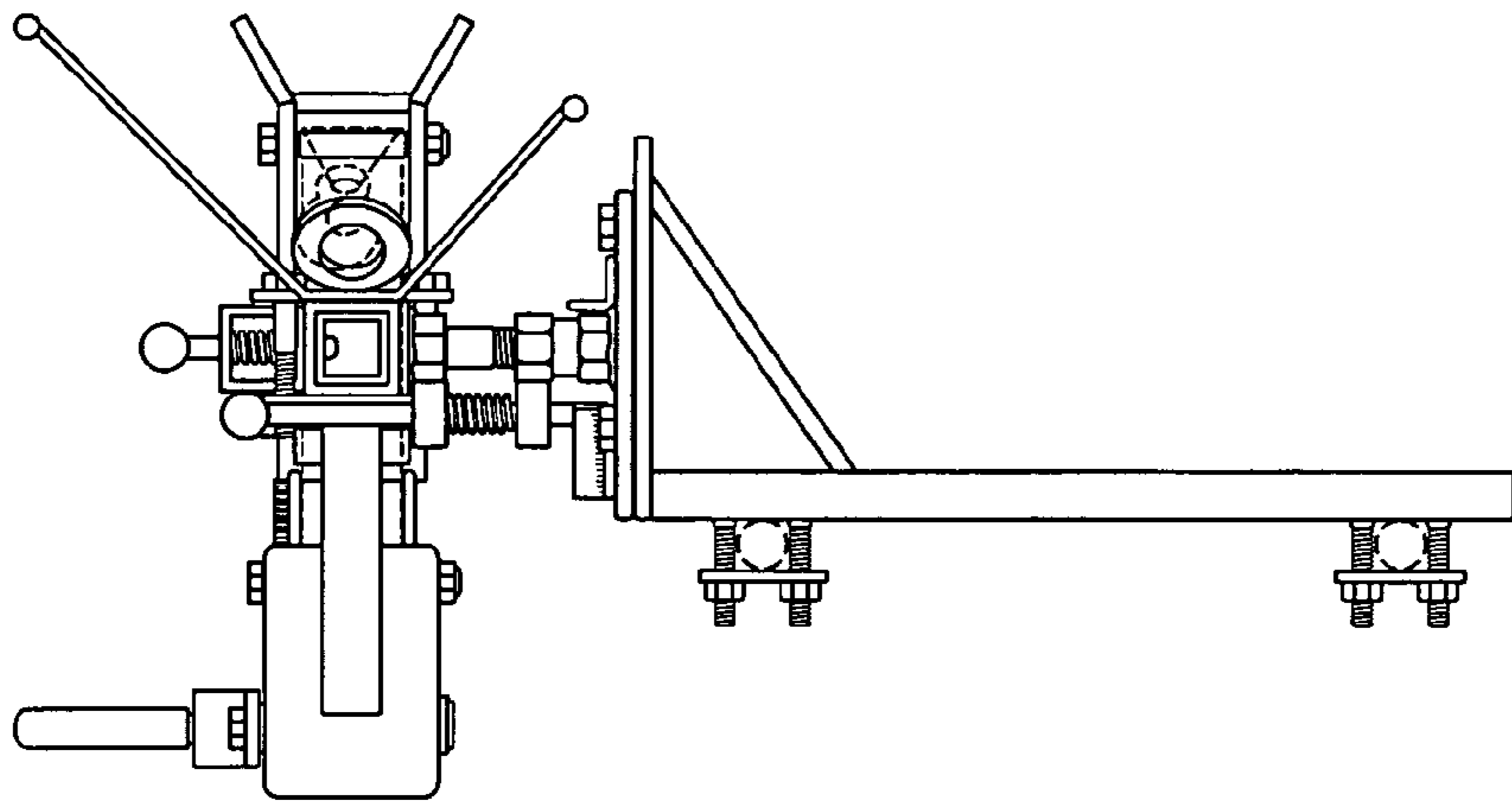


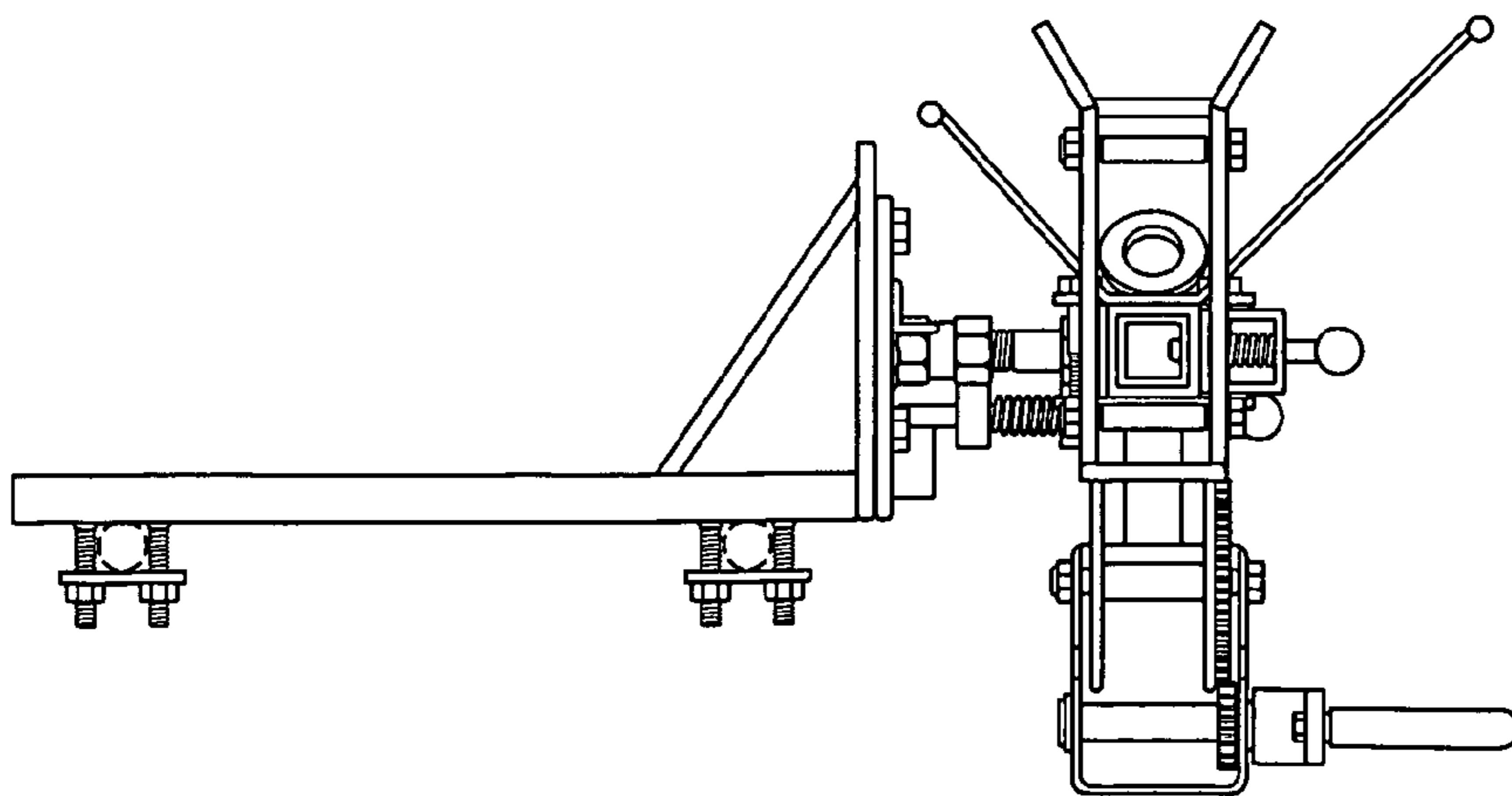
FIG. 2



**FIG. 3**



**FIG. 4**



**FIG. 5**

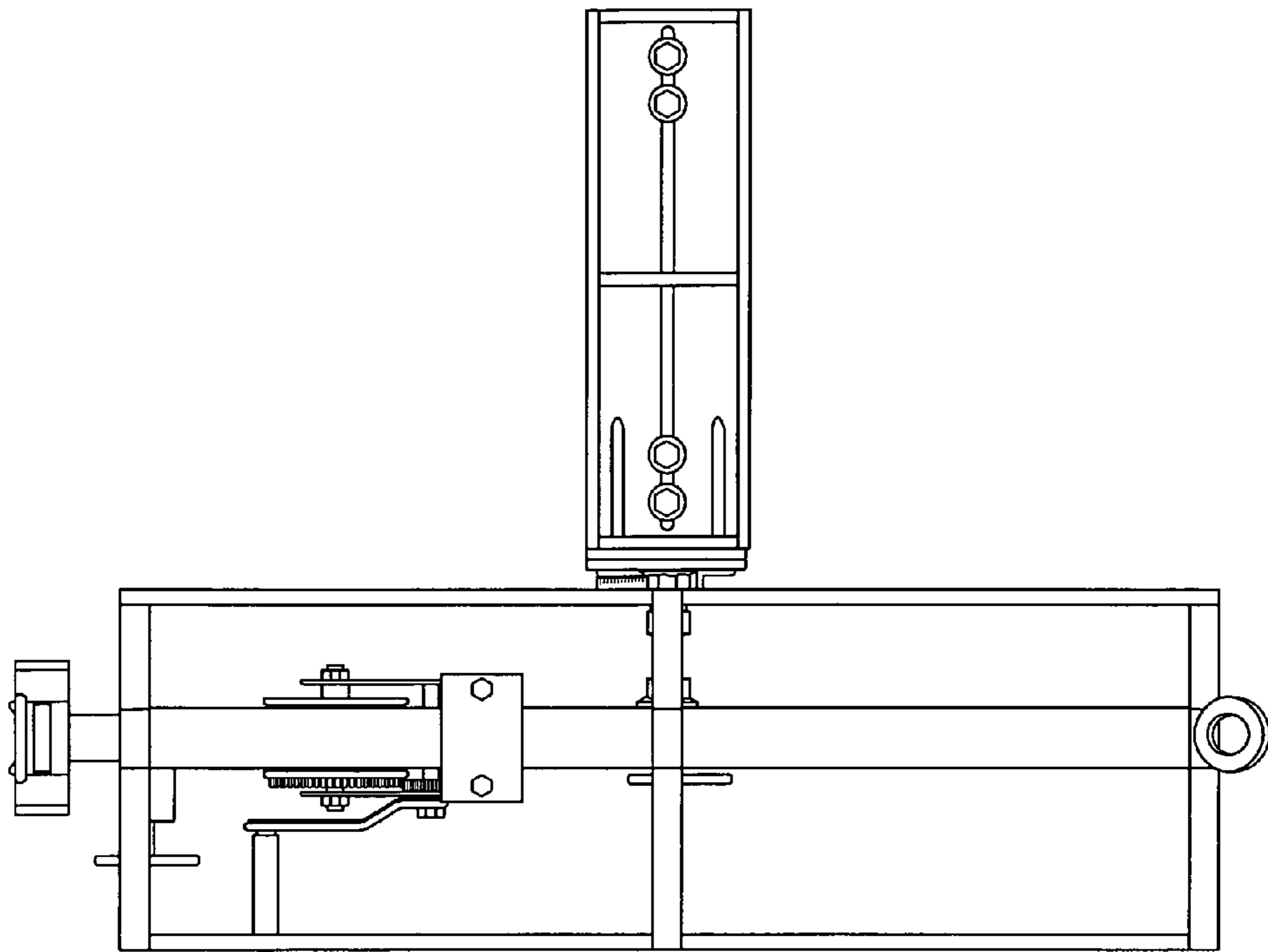


FIG. 6

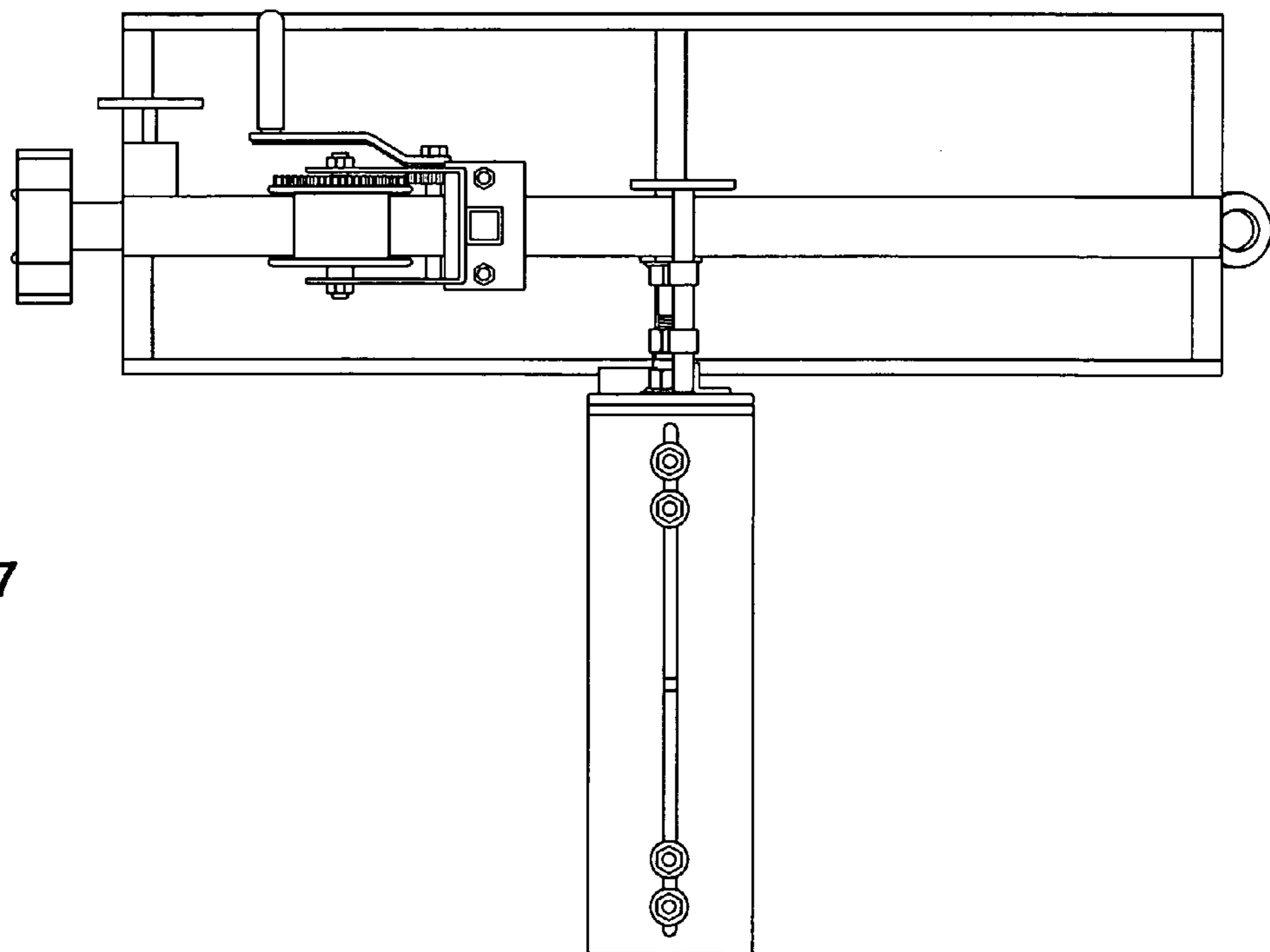
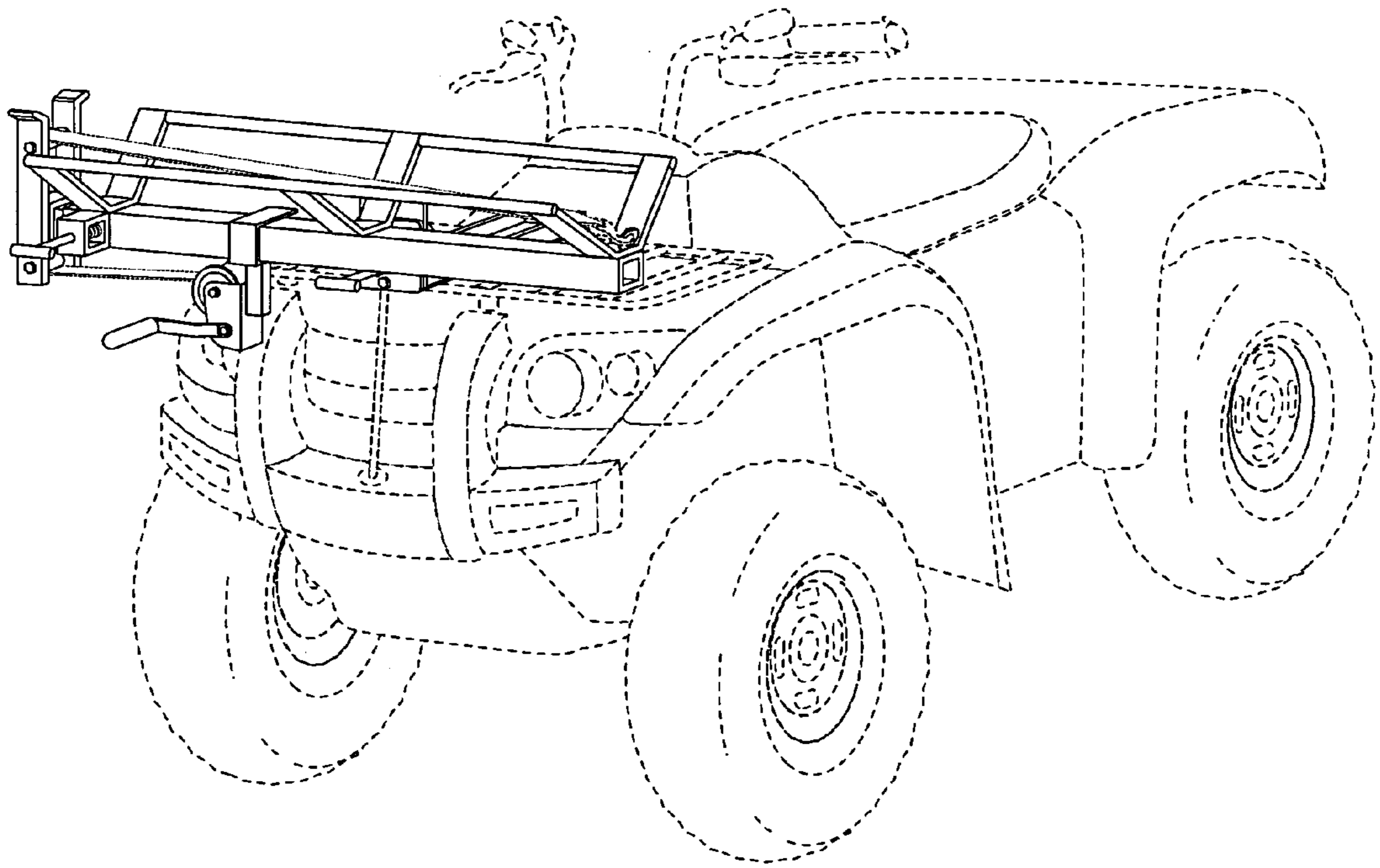


FIG. 7



**FIG. 8**