



US00D606722S

(12) **United States Design Patent**
Walter

(10) **Patent No.:** **US D606,722 S**

(45) **Date of Patent:** **** *Dec. 22, 2009**

(54) **TRADESHOW CART**

(75) Inventor: **Ivor Michel Walter**, Boulder, CO (US)

(73) Assignee: **AMSA, Inc.**, Boulder, CO (US)

(**) Term: **14 Years**

(21) Appl. No.: **29/328,980**

(22) Filed: **Dec. 5, 2008**

(51) **LOC (9) Cl.** **12-02**

(52) **U.S. Cl.** **D34/12**

(58) **Field of Classification Search** D34/12-27;
280/641, 642, 654, 33.991-33.997, 47.35
See application file for complete search history.

(56) **References Cited**

U.S. PATENT DOCUMENTS

2,220,150	A *	11/1940	Goldman	280/641
2,398,863	A *	4/1946	Sides	280/641
2,429,034	A *	10/1947	Smith et al.	280/641
2,451,985	A *	10/1948	Sides	108/90
D170,759	S *	11/1953	Kesler	D21/534
3,797,847	A *	3/1974	Lindsey et al.	280/654
3,885,806	A	5/1975	Trubiano		
D238,663	S	2/1976	Schifman		
D240,297	S	6/1976	Trubiano		
D246,301	S	11/1977	Trubiano		
D282,499	S	2/1986	Alstrom		
D282,594	S *	2/1986	Latino	D34/21
D282,691	S *	2/1986	Latino	D34/21
D331,135	S	11/1992	Lewandowski et al.		
5,203,578	A	4/1993	Davidson et al.		

D360,393	S *	7/1995	Lewandowski	D12/129
D363,589	S	10/1995	Lafleur et al.		
D365,904	S *	1/1996	Adamson et al.	D34/17
D367,348	S	2/1996	Basharat		
5,595,394	A *	1/1997	Adamson	280/33.993
D381,167	S *	7/1997	Wang	D34/21
6,126,181	A	10/2000	Ondrasik		
D465,313	S *	11/2002	Le Marchand	D34/18
D465,633	S *	11/2002	Le Marchand	D34/18
D473,691	S	4/2003	Kolada et al.		
D478,198	S *	8/2003	Koppes et al.	D34/17
6,679,506	B2	1/2004	Koppes et al.		

* cited by examiner

Primary Examiner—Cynthia E Ramirez

(74) *Attorney, Agent, or Firm*—Margaret Polson; Oppedahl Patent Law Firm LLC

(57) **CLAIM**

The ornamental design for a tradeshow cart, as shown and described.

DESCRIPTION

FIG. 1 is a front perspective view of my new design for a tradeshow cart.

FIG. 2 is a side elevation view of the right and left sides, which are mirror images, of FIG. 1

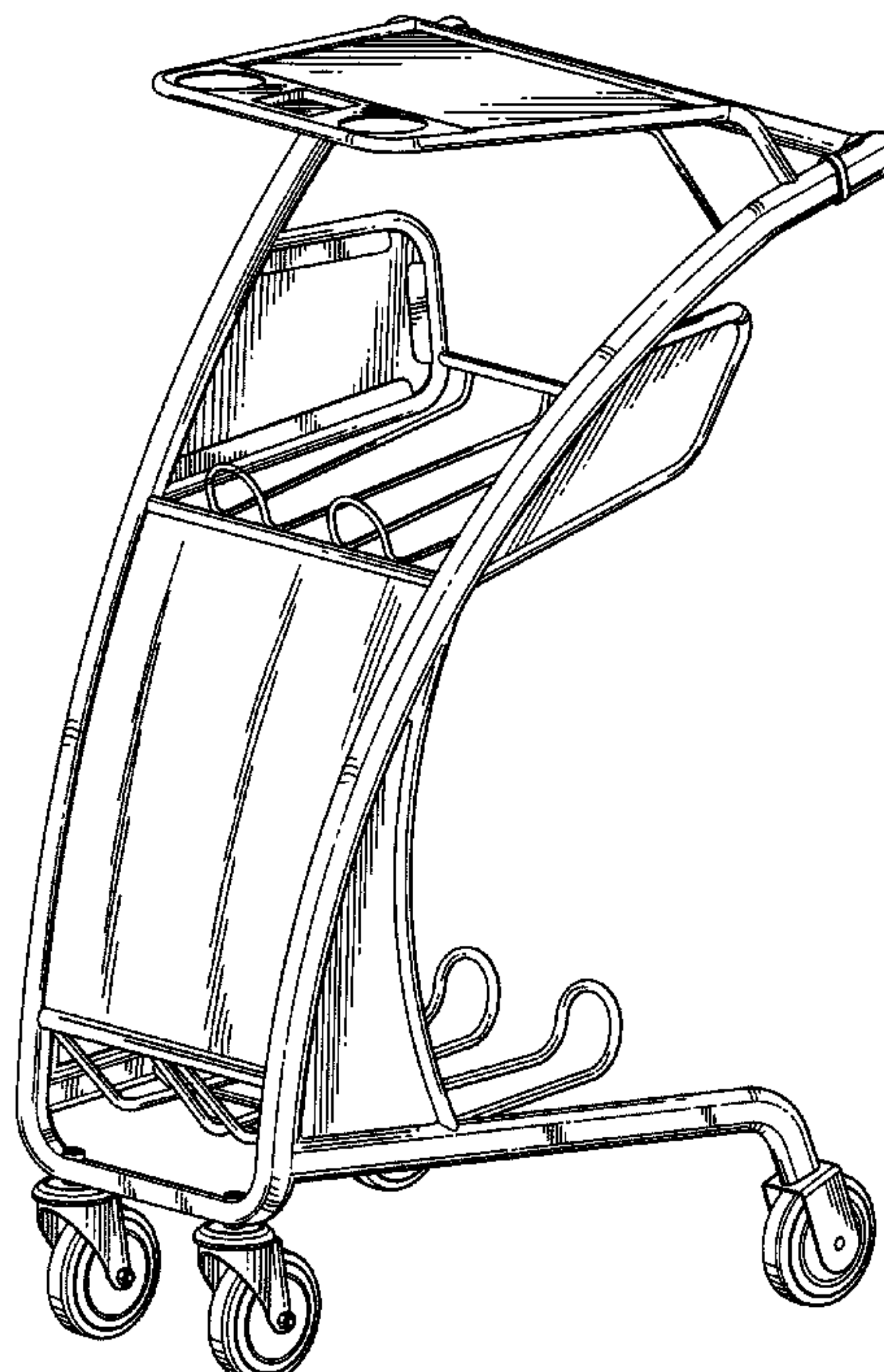
FIG. 3 is a front side elevation view of FIG. 1.

FIG. 4 is a back side elevation view of FIG. 1

FIG. 5 is a top plan view of FIG. 1; and,

FIG. 6 is a bottom plan view of FIG. 1.

1 Claim, 5 Drawing Sheets



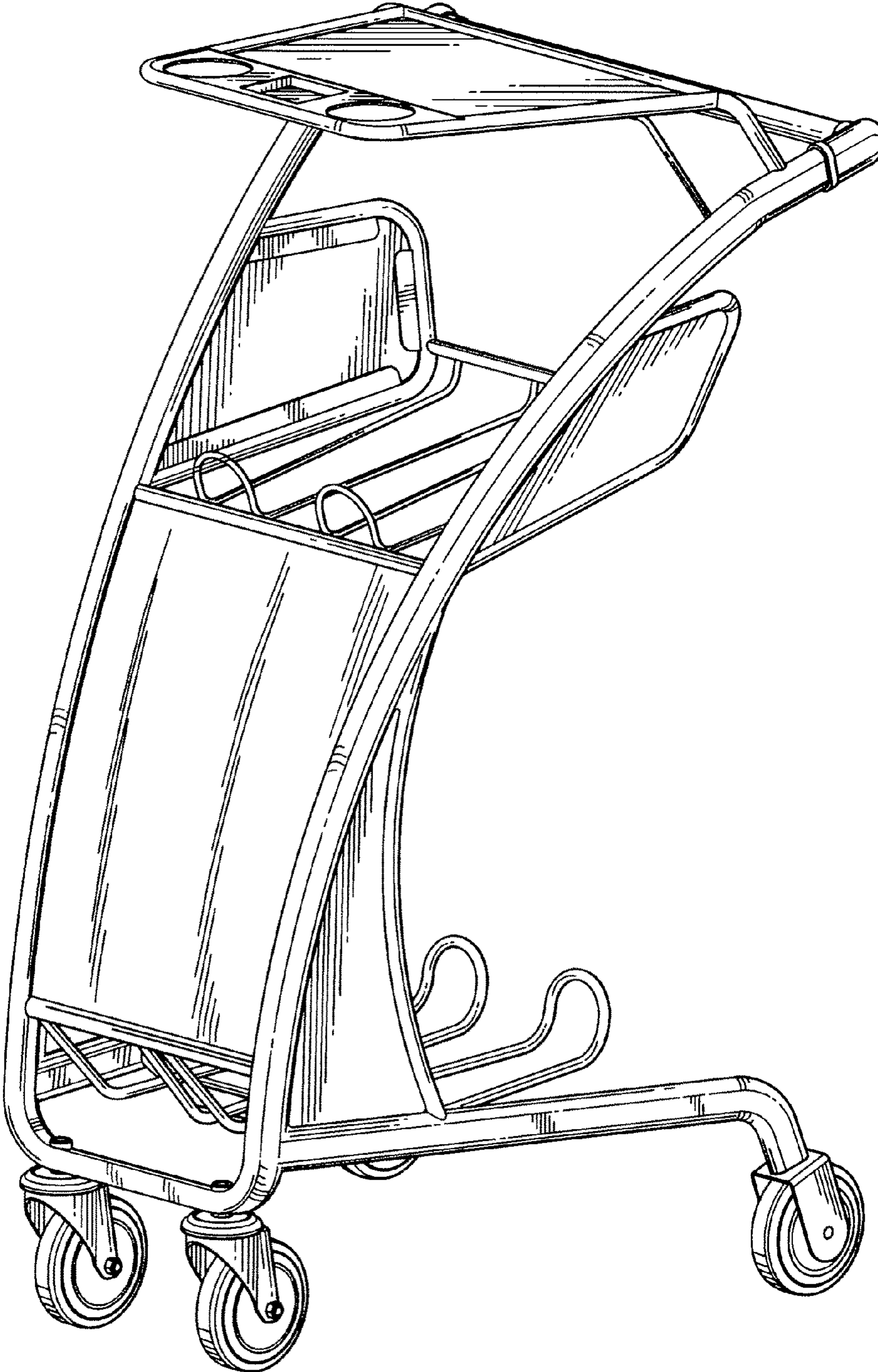


FIG.1

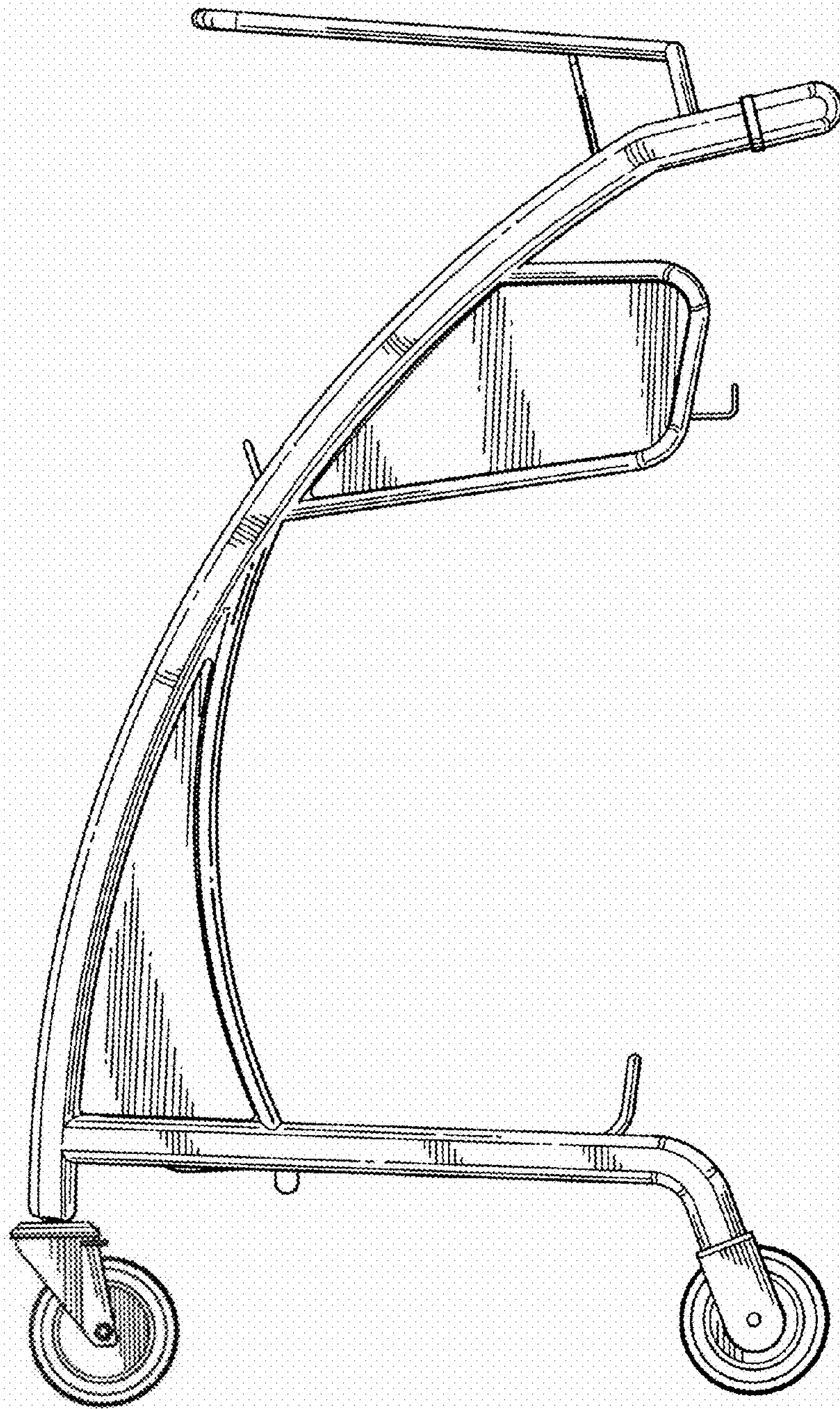


FIG.2

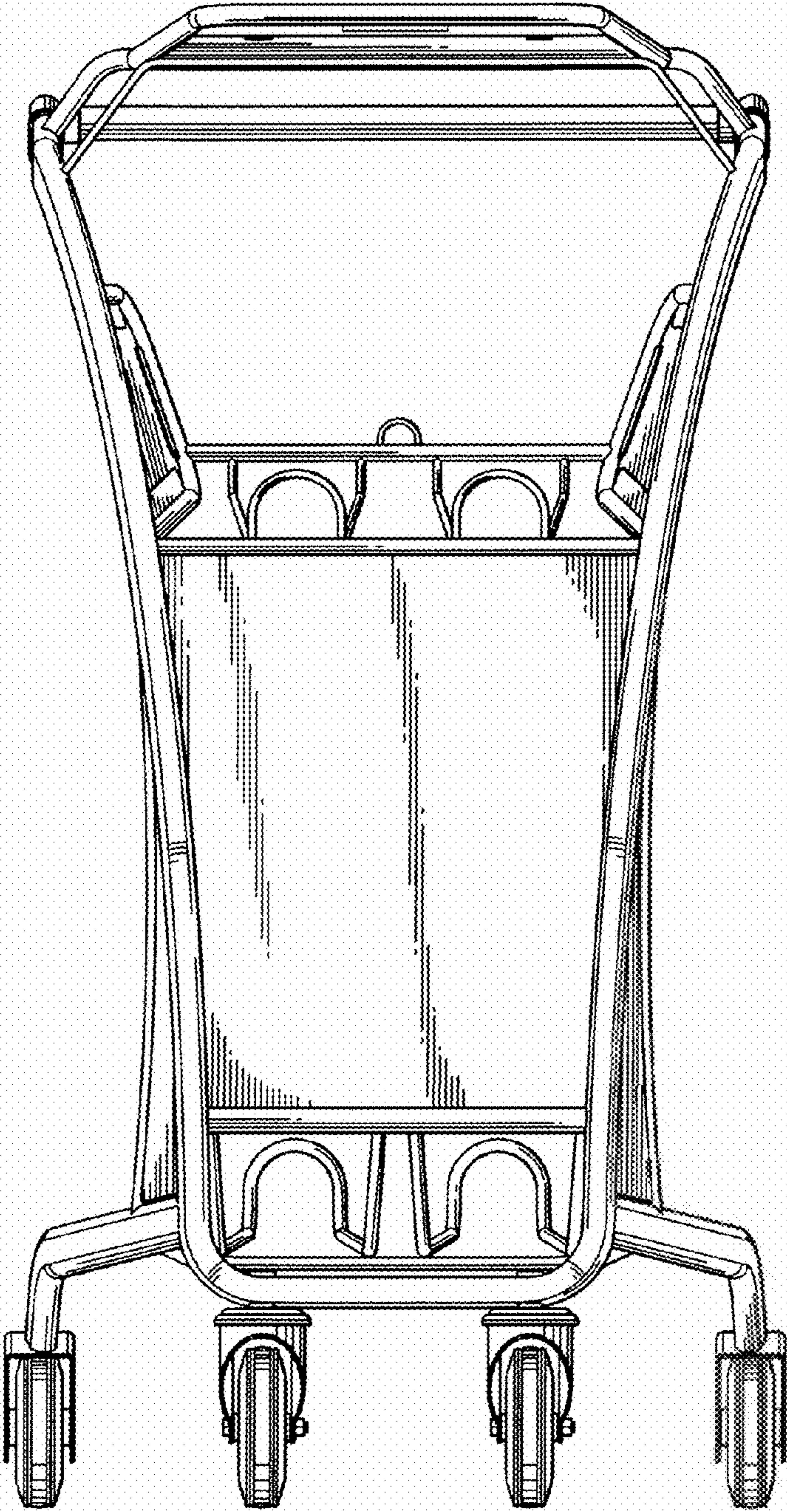


FIG.3

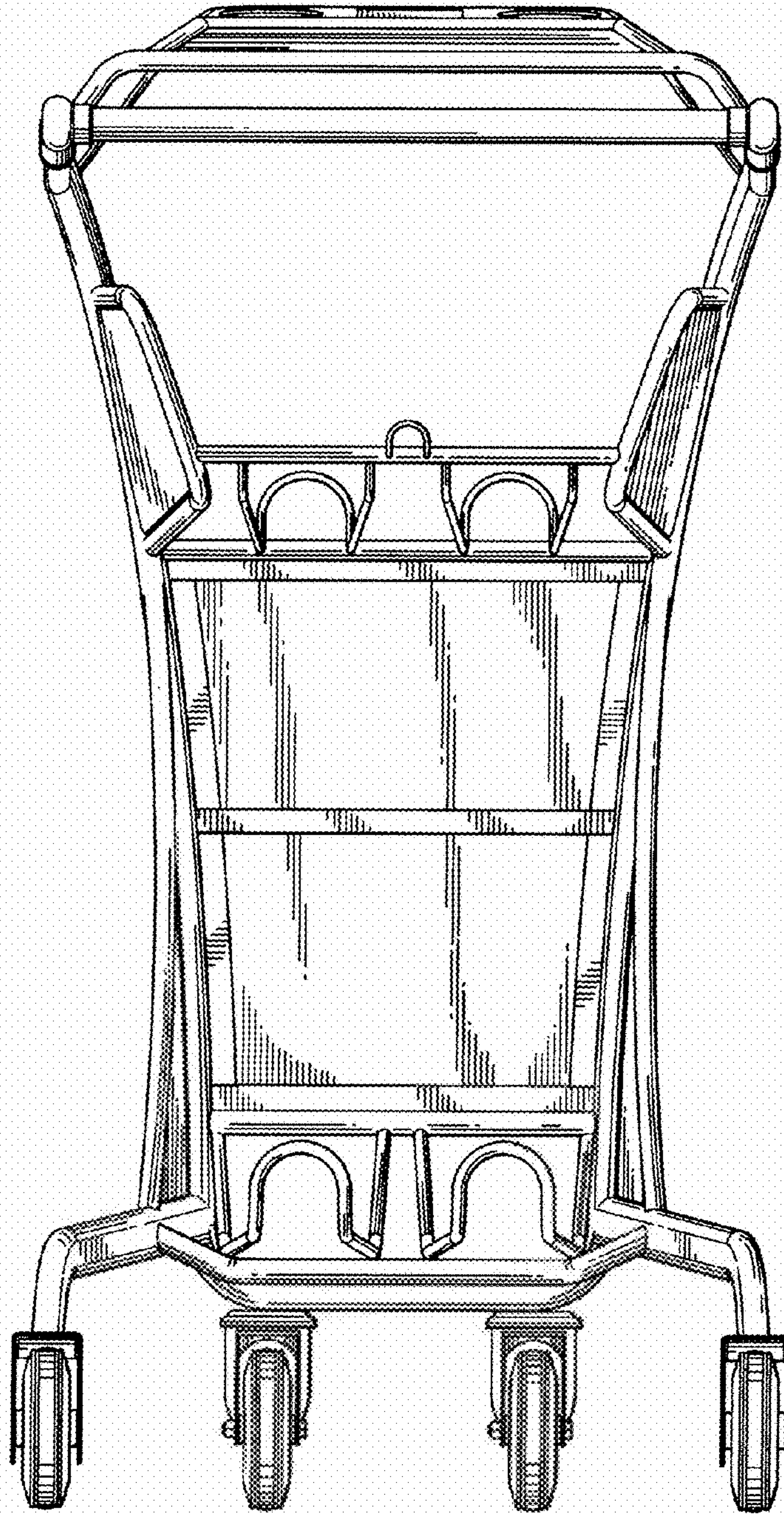


FIG.4

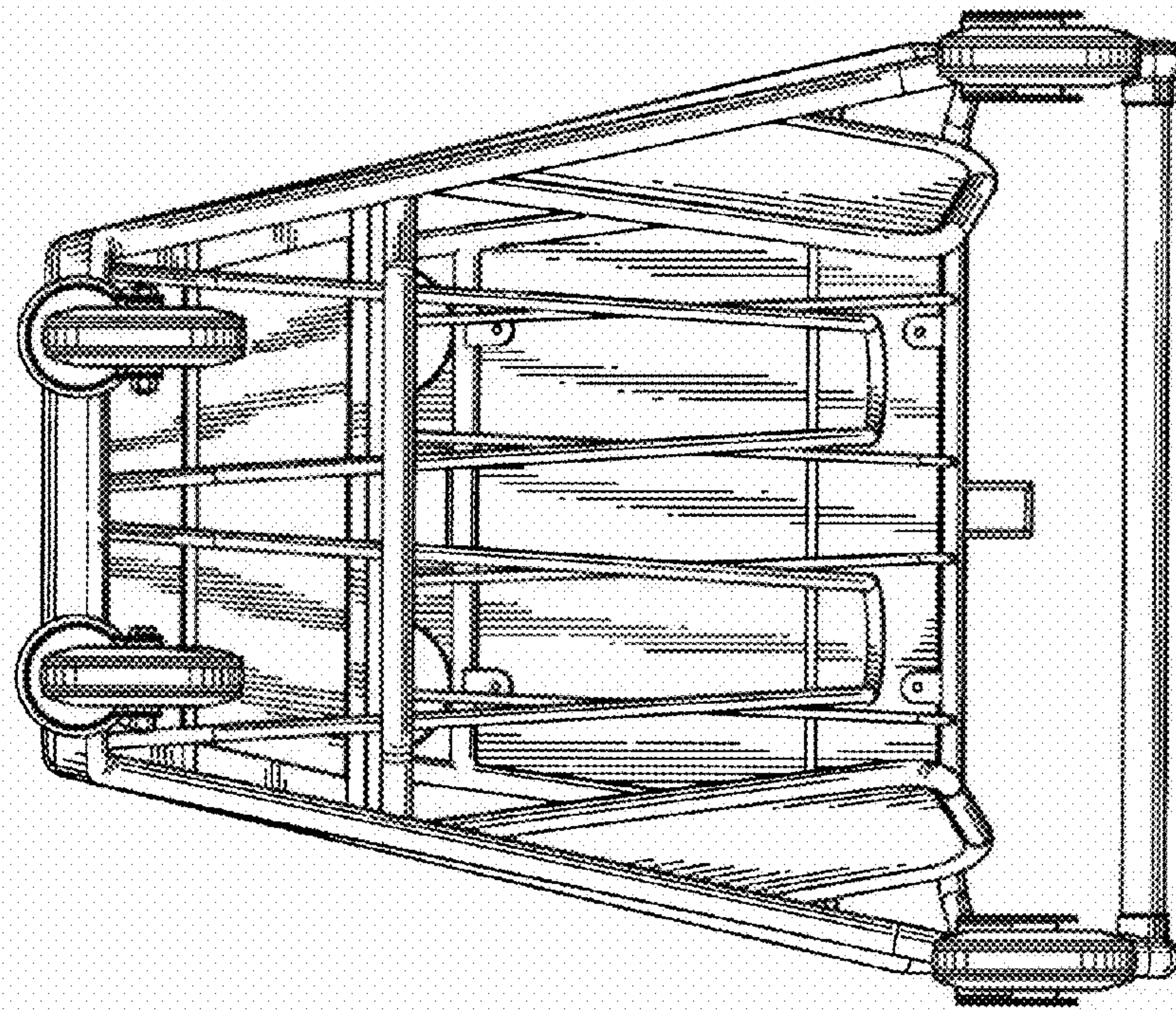


FIG. 6

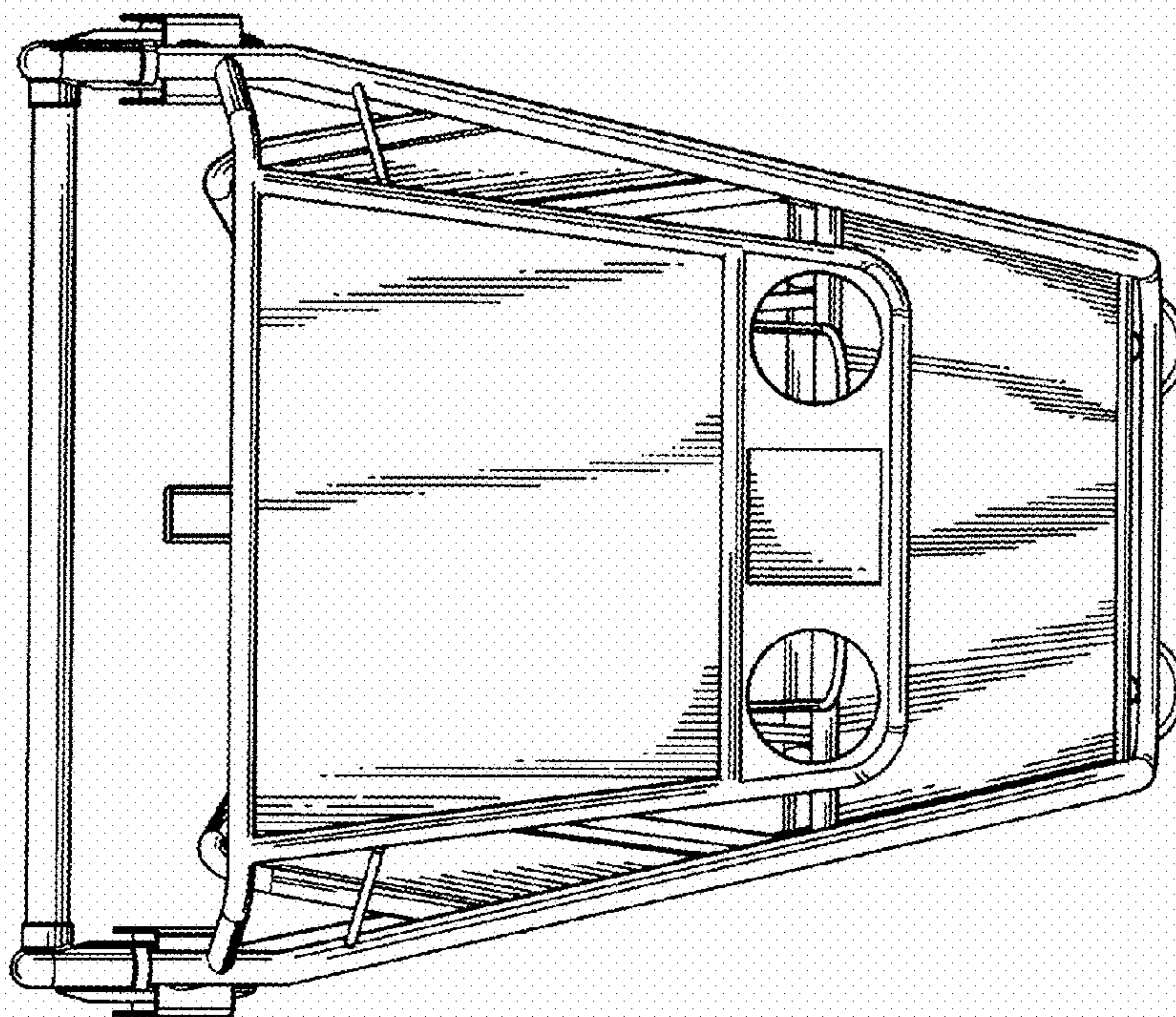


FIG. 5