



US00D606721S

(12) **United States Design Patent**
Moore

(10) **Patent No.:** **US D606,721 S**

(45) **Date of Patent:** **** Dec. 22, 2009**

(54) **TRANSPARENT SIDE-OPENING WASTE RECEPTACLE**

D558,421 S * 12/2007 DesLaurier D34/7

* cited by examiner

(75) Inventor: **David E. Moore**, Temecula, CA (US)

Primary Examiner—Cynthia E Ramirez

(73) Assignee: **Compumeric Engineering, Inc.**,
Ontario, CA (US)

(74) *Attorney, Agent, or Firm*—Knobbe, Martens, Olson &
Bear LLP

(**) Term: **14 Years**

(57) **CLAIM**

(21) Appl. No.: **29/330,338**

The ornamental design for a transparent side-opening waste receptacle, as shown and described.

(22) Filed: **Jan. 5, 2009**

DESCRIPTION

(51) **LOC (9) Cl.** **09-09**

(52) **U.S. Cl.** **D34/7**

(58) **Field of Classification Search** D34/1-11;
220/908-911

See application file for complete search history.

FIG. 1 is a perspective view of the transparent side-opening waste receptacle of the present design;

FIG. 2 is a front view thereof;

FIG. 3 is a rear view thereof;

FIG. 4 is a first side view thereof;

FIG. 5 is a second side view thereof;

FIG. 6 is a top view thereof; and,

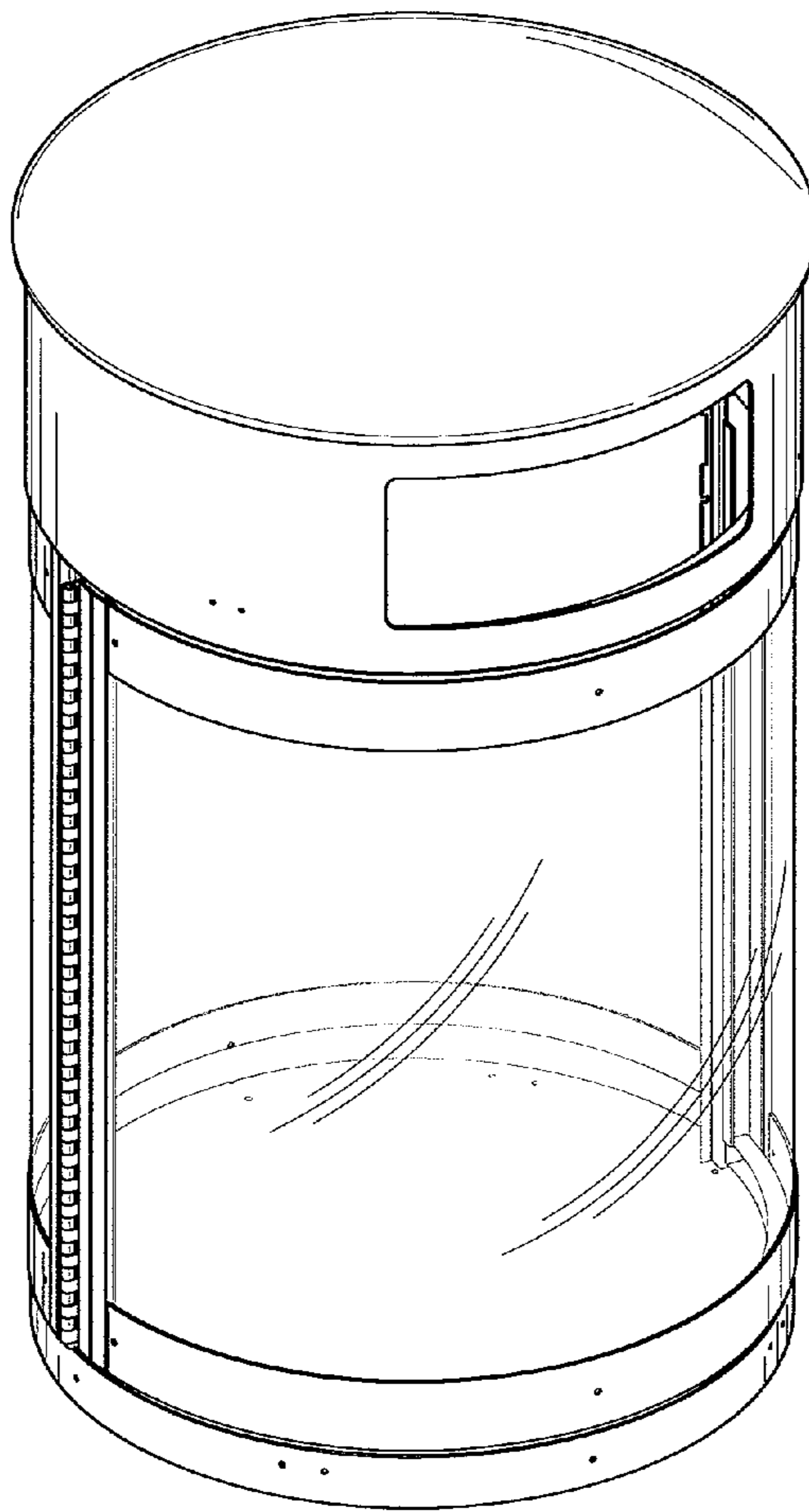
FIG. 7 is a perspective view thereof shown with a side door in an open position.

(56) **References Cited**

U.S. PATENT DOCUMENTS

D345,239 S *	3/1994	Cooper	D34/1
D446,373 S *	8/2001	Weiss et al.	D34/1
D480,854 S *	10/2003	Hardy et al.	D34/1
D536,853 S *	2/2007	Presnell	D34/7
D537,596 S *	2/2007	Marshall	D34/1

1 Claim, 8 Drawing Sheets



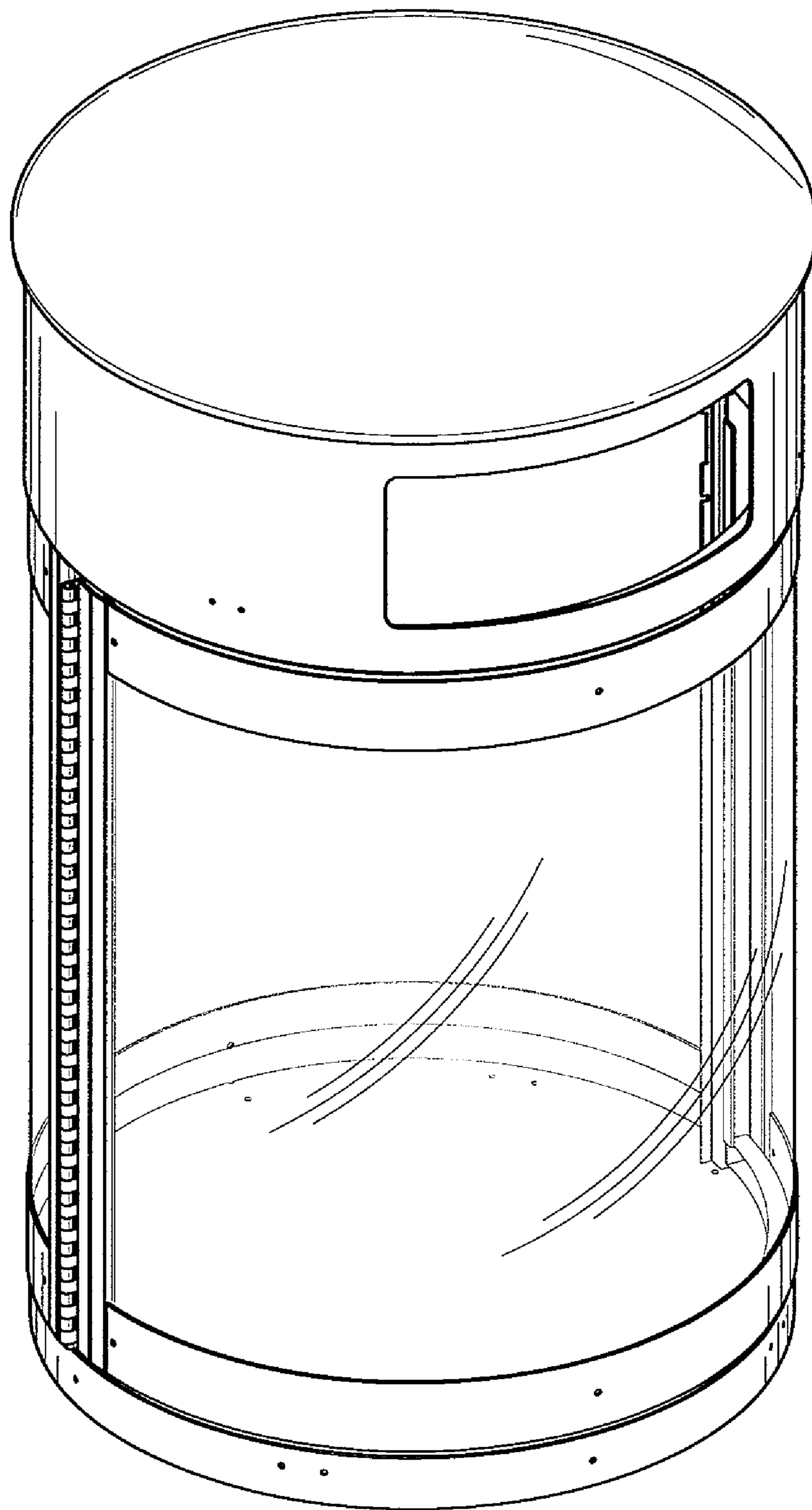


FIG. 1

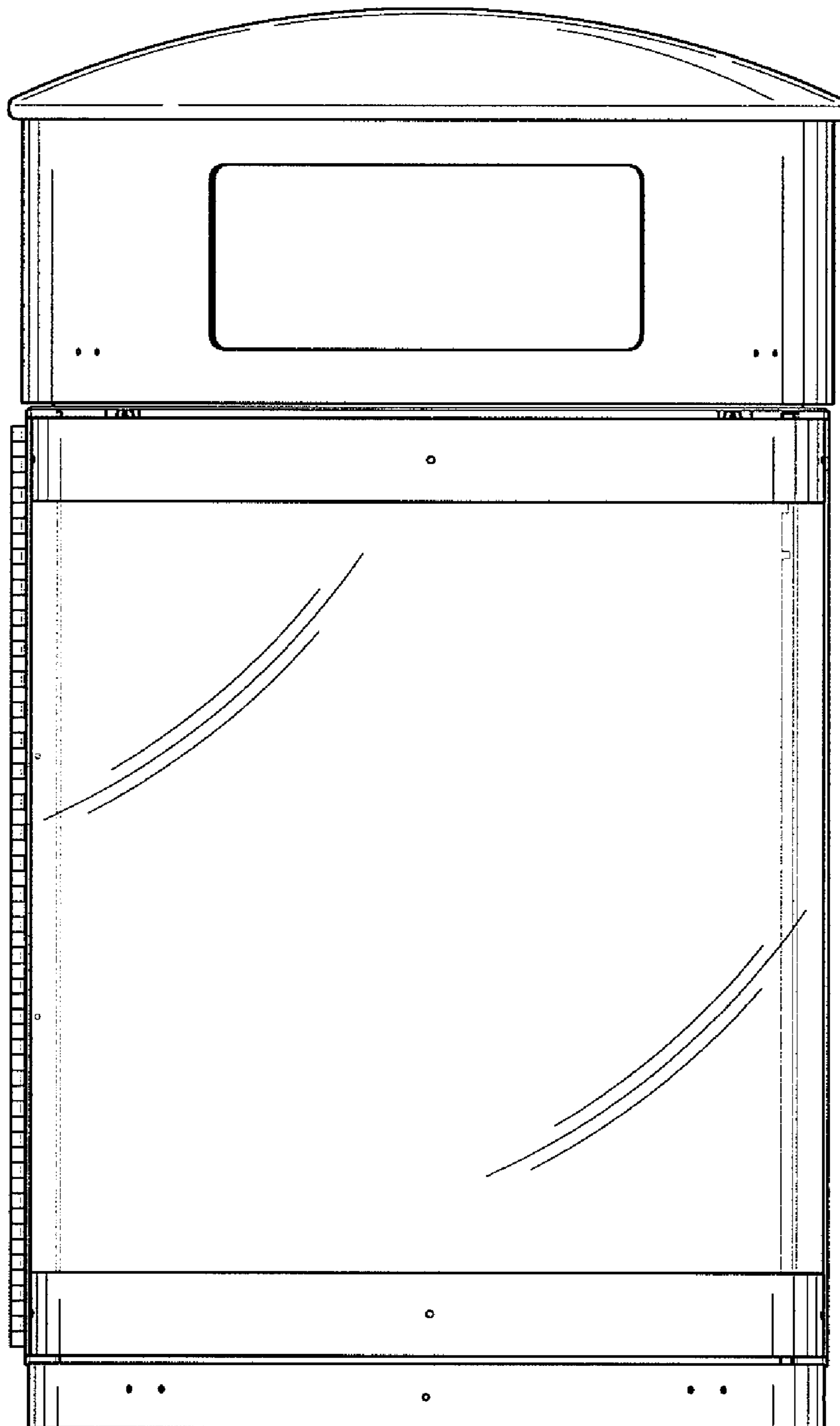


FIG. 2

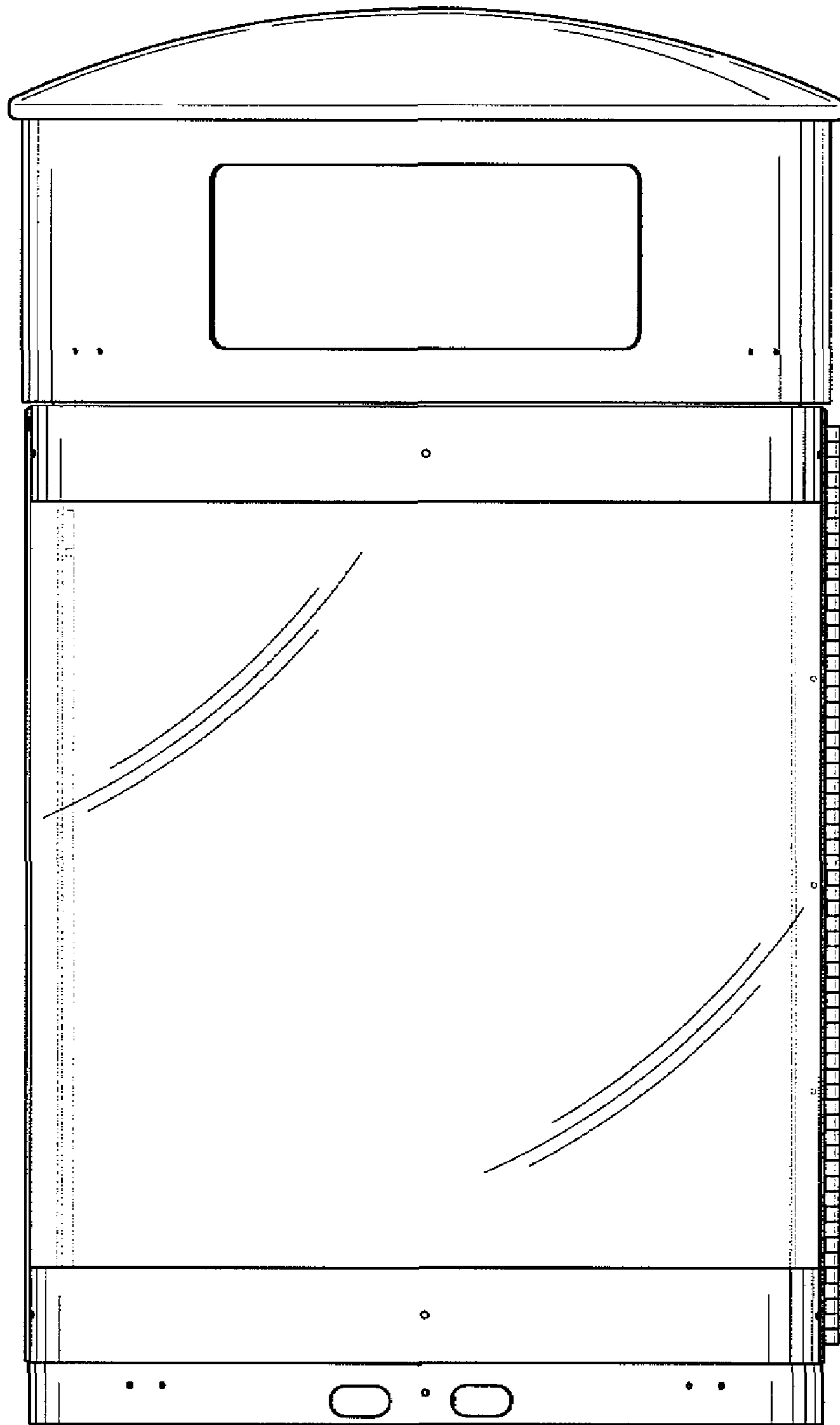


FIG. 3

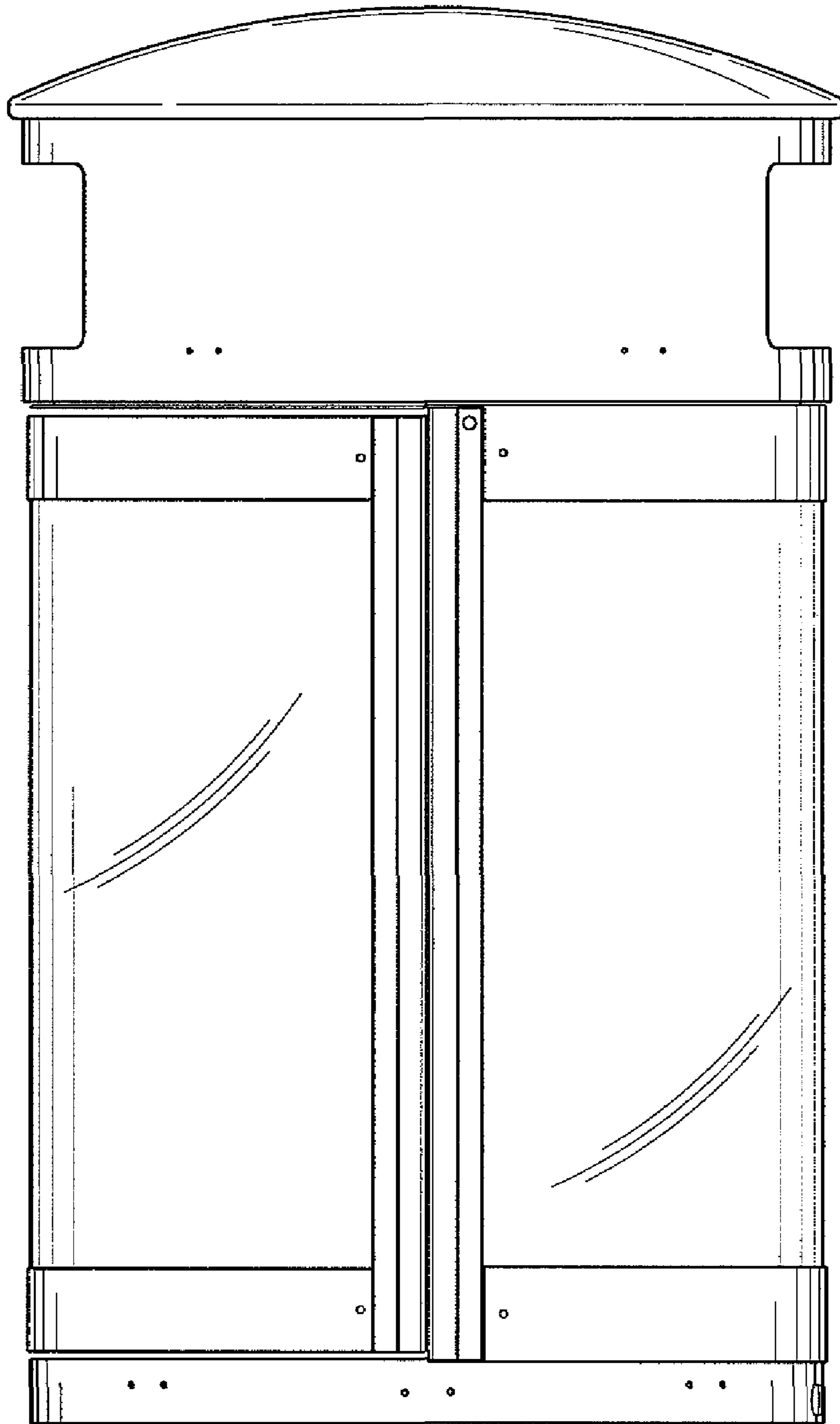


FIG. 4

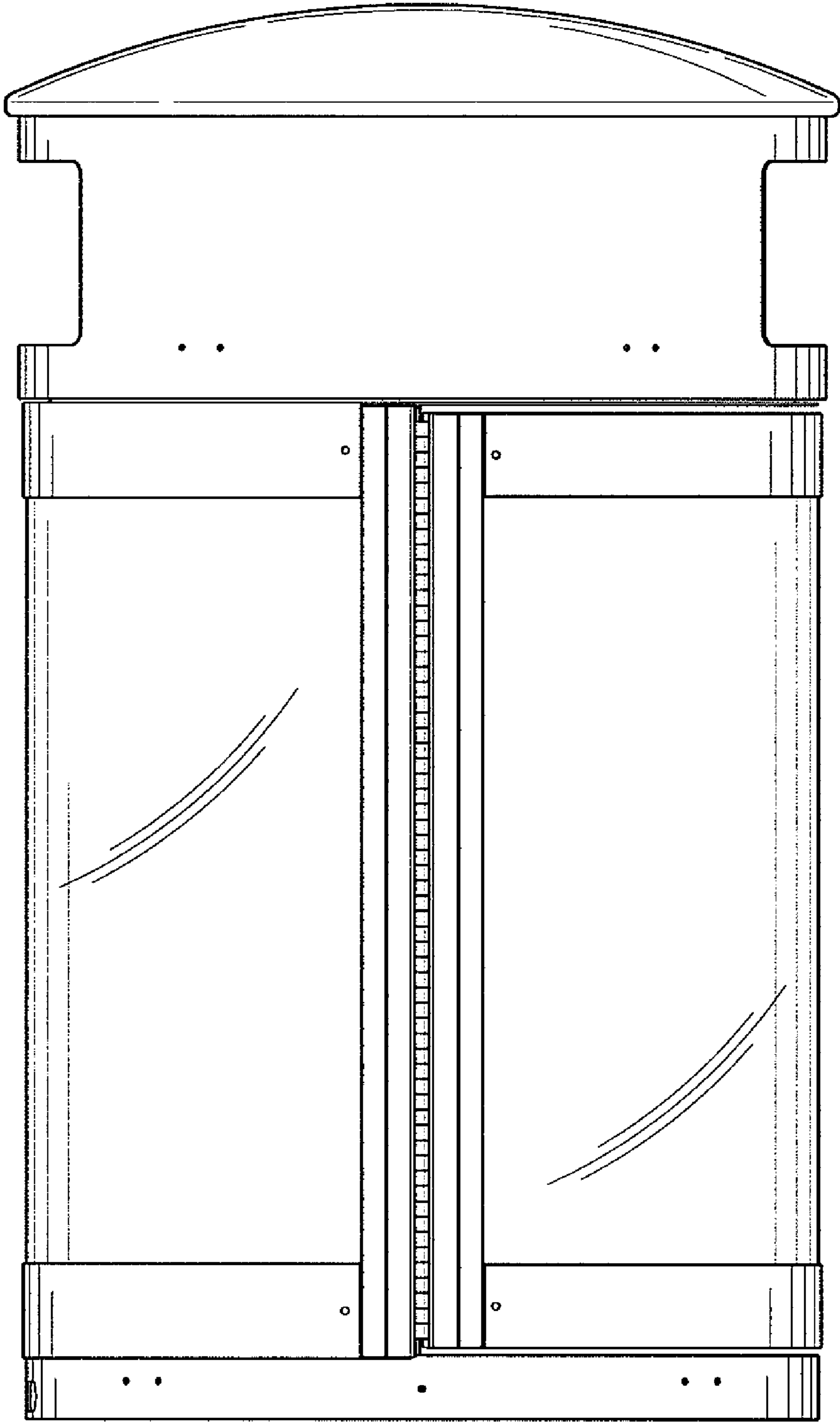


FIG. 5

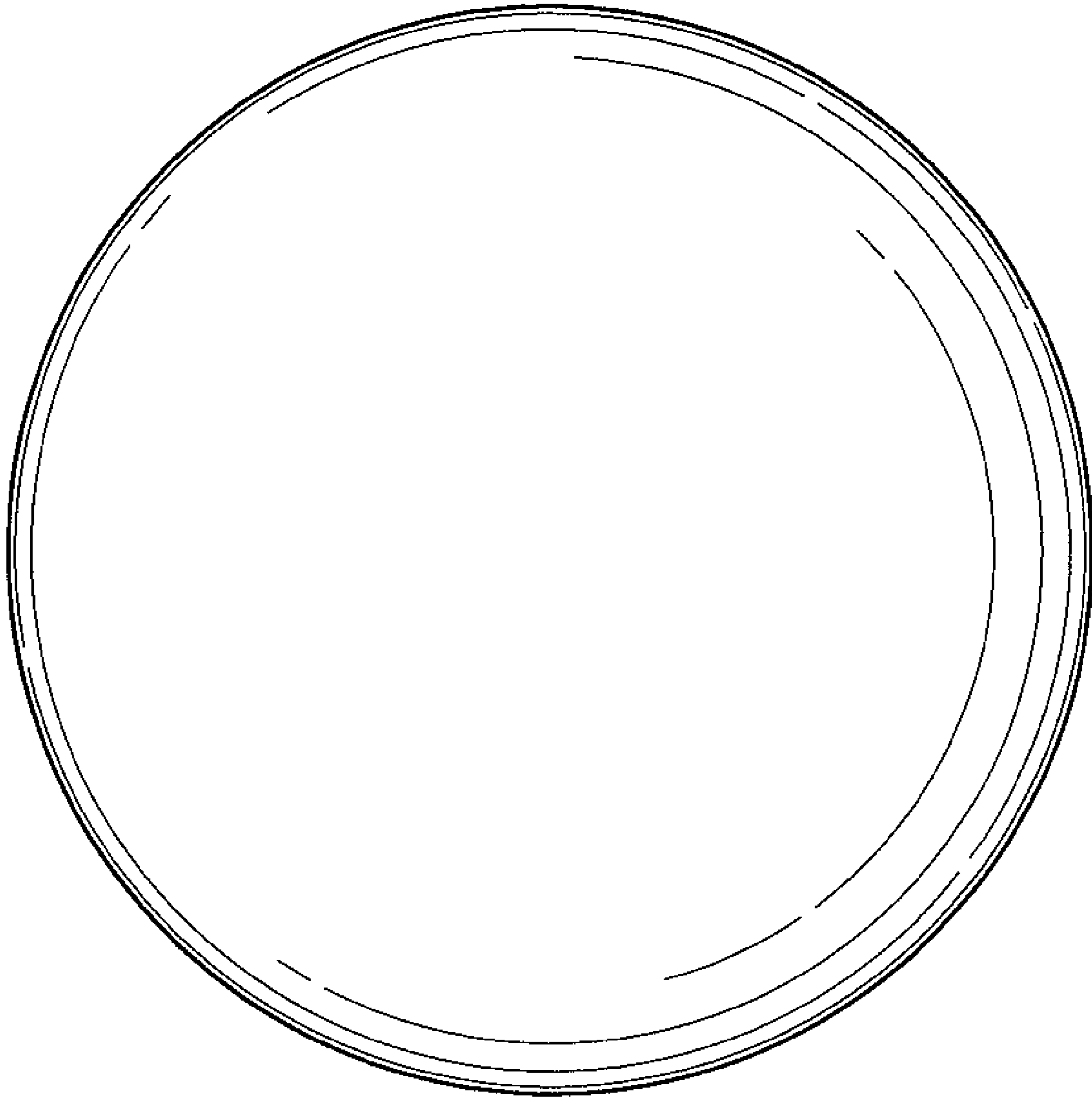


FIG. 6

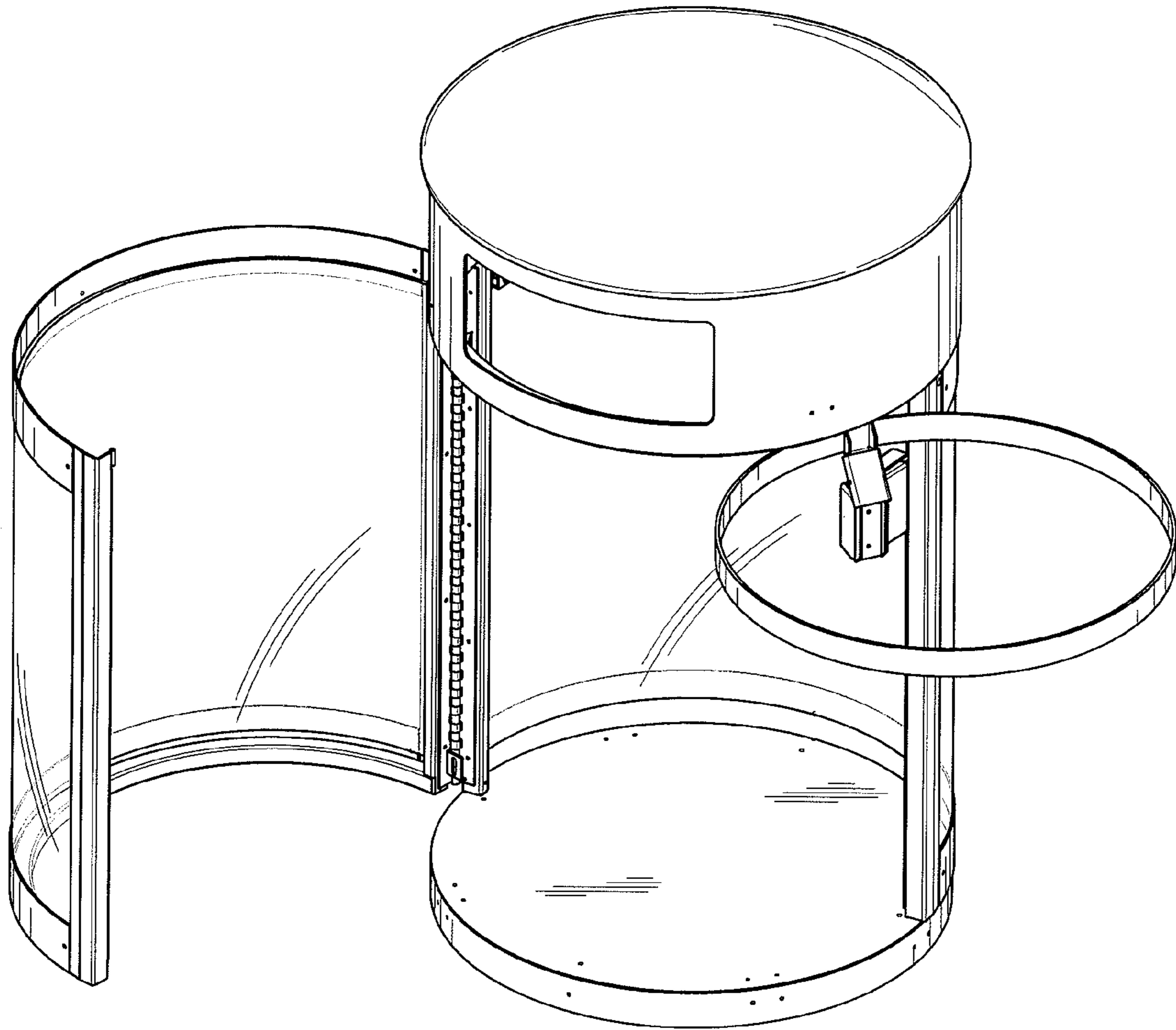


FIG. 7

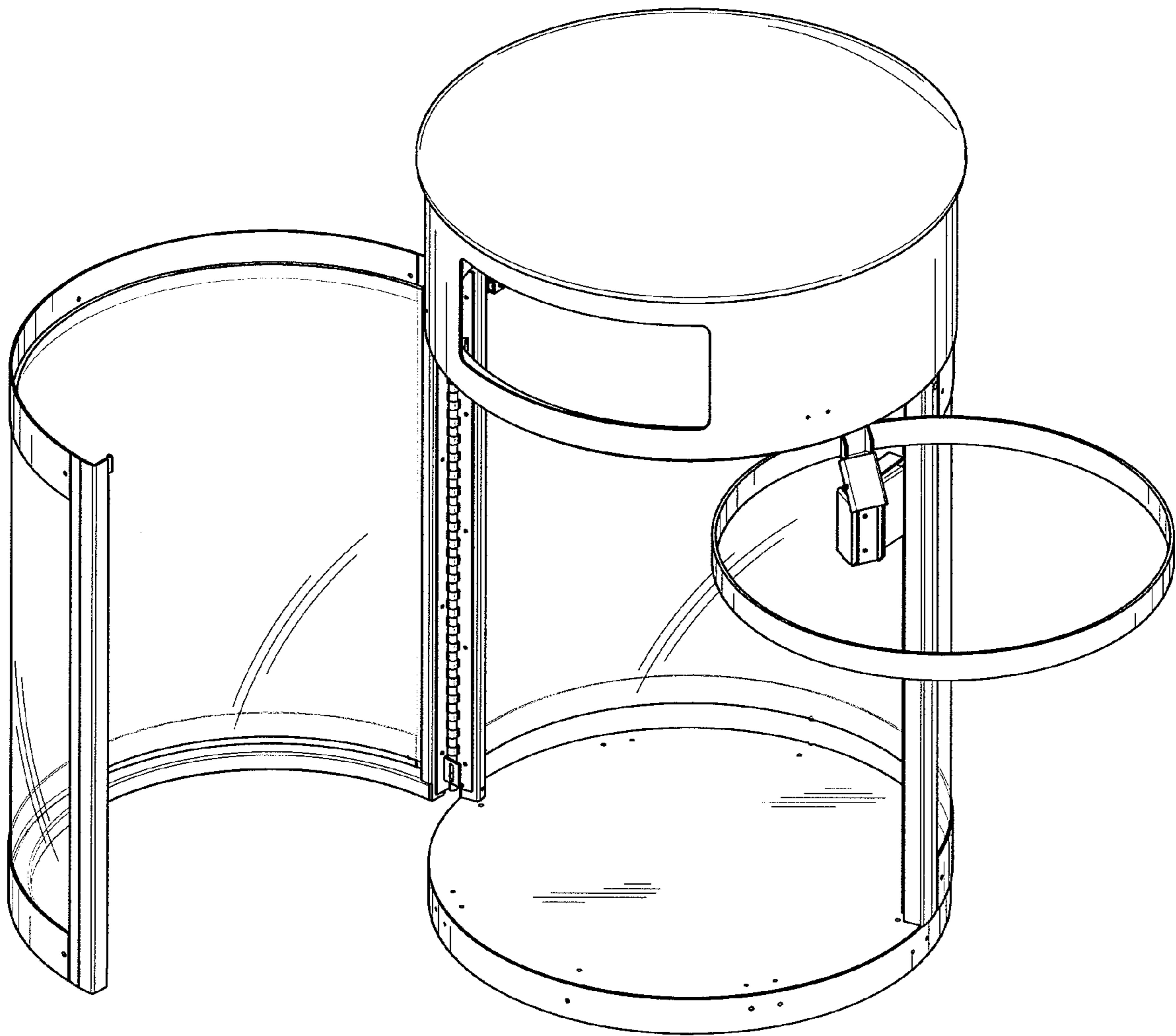


FIG. 8