



US00D606720S

(12) **United States Design Patent**  
**Bergman**

(10) **Patent No.:** **US D606,720 S**

(45) **Date of Patent:** **\*\* Dec. 22, 2009**

(54) **PAINT CONTAINER**

FOREIGN PATENT DOCUMENTS

(75) Inventor: **Mark W. Bergman**, Minnetonka, MN  
(US)

GB 195523 4/1923

(73) Assignee: **Bercom International, LLC**,  
Chanhassen, MN (US)

(Continued)

(\*\*) Term: **14 Years**

(21) Appl. No.: **29/326,063**

(22) Filed: **Oct. 10, 2008**

OTHER PUBLICATIONS

Illustration (from Sporty's website showing a "Painter's Helper"  
ID#: 1610T) of the paint container manufactured by Aqua-Tainer  
Co., of Shorewood Illinois, (Published prior to Apr. 29, 2005).

(Continued)

**Related U.S. Application Data**

(62) Division of application No. 29/269,450, filed on Nov.  
30, 2006, now Pat. No. Des. 581,119.

*Primary Examiner*—Cathron C Brooks

*Assistant Examiner*—Kevin K Rudzinski

(74) *Attorney, Agent, or Firm*—Westman, Champlin & Kelly,  
P.A.

(51) **LOC (9) Cl.** ..... **07-07**

(52) **U.S. Cl.** ..... **D32/53**

(58) **Field of Classification Search** ..... 15/260,  
15/261, 264; 220/495.02, 570, 571, 571.1,  
220/733; D7/393, 394, 395; D8/300, 301,  
D8/303, 315, 319; D9/522, 523, 528, 531;  
D32/37, 53.1, 54; D34/10, 27

See application file for complete search history.

(57) **CLAIM**

The ornamental design for a paint container, as shown and  
described.

**DESCRIPTION**

FIG. 1 is an perspective view of a paint container;

FIG. 2 is a side view thereof, as taken from the right side of  
FIG. 1;

FIG. 3 is a side view thereof, as taken from the left side of FIG.  
1;

FIG. 4 is a front view thereof;

FIG. 5 is a rear view thereof;

FIG. 6 is a top view thereof; and,

FIG. 7 is a bottom view thereof.

The dashed lines in the Figures depict unclaimed portions of  
the design. The dashed lines and the structure they depict  
form no part of the claimed design. The dash-dot-dash lines in  
FIGS. 1, 4, 5, 6 and 7 define the boundary of the claimed  
design and form no part of the claimed design.

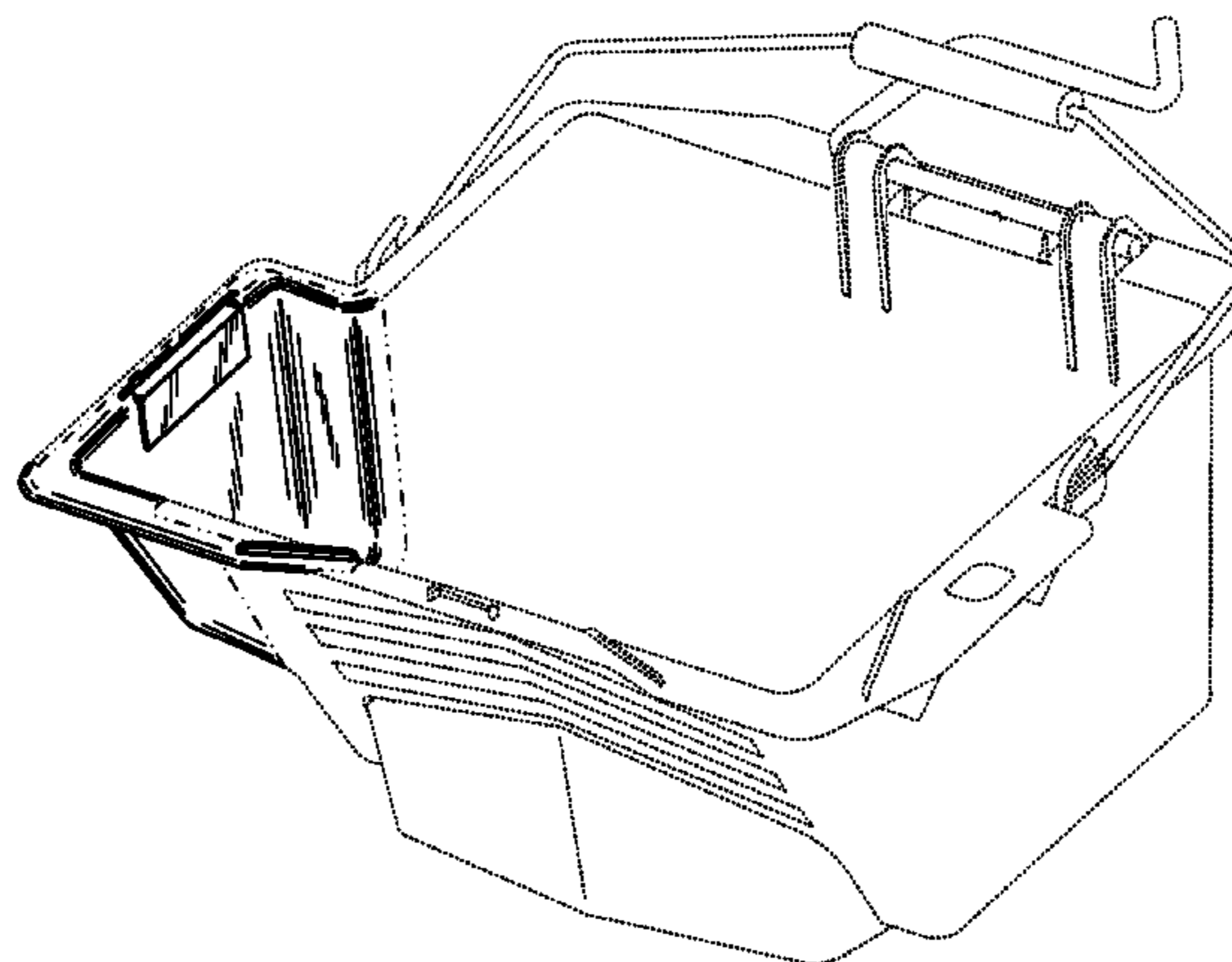
(56) **References Cited**

**U.S. PATENT DOCUMENTS**

606,100	A *	6/1898	Thompson	.....	220/23.88
1,304,415	A	5/1919	Tucker		
1,590,572	A	6/1926	Fredette		
1,734,976	A	11/1929	McClellan		
1,950,505	A	3/1934	Matters		
2,228,536	A	1/1941	Scalph		
2,626,737	A	1/1953	Pitz		
2,709,540	A	5/1955	Kenney		
2,765,969	A	10/1956	Bennington		

(Continued)

**1 Claim, 7 Drawing Sheets**



# US D606,720 S

Page 2

## U.S. PATENT DOCUMENTS

3,014,621 A 12/1961 Povitz ..... 222/183  
D193,382 S \* 8/1962 Goetz ..... D32/53.1  
3,138,280 A 6/1964 Shafer  
3,139,646 A 7/1964 Vernon  
D202,134 S 8/1965 Bryan ..... D32/53.1  
3,219,233 A 11/1965 Whiteford  
3,229,820 A 1/1966 Hentzi et al.  
3,292,815 A 12/1966 Smith et al. .... 220/94  
D212,831 S 11/1968 Koch ..... D32/53  
3,425,012 A 1/1969 Gottinger  
D216,277 S 12/1969 James ..... D32/53  
3,536,285 A 10/1970 Vaughn  
3,590,416 A 7/1971 Henningsen  
3,595,431 A 7/1971 Bird  
3,602,939 A 9/1971 Schoenholz  
3,682,352 A 8/1972 Douchette  
3,707,242 A 12/1972 Golden et al. .... 220/1 R  
3,729,158 A 4/1973 Nagy  
3,828,389 A 8/1974 Heisler  
3,837,034 A 9/1974 Leffert et al. .... 15/257.06  
3,940,824 A 3/1976 Gioia et al.  
4,061,242 A 12/1977 Donlon  
D248,335 S 6/1978 Cooke et al.  
4,101,046 A 7/1978 Puntillo  
4,164,299 A 8/1979 Fuhr  
D270,961 S 10/1983 Hawkins et al. .... D32/53  
4,519,565 A 5/1985 Whitmore  
4,627,546 A 12/1986 Carranza ..... 215/100 A  
D302,881 S \* 8/1989 Lussier et al. .... D32/53.1  
4,860,891 A 8/1989 Biggio  
4,895,269 A 1/1990 Cade  
4,927,046 A 5/1990 Armstrong  
4,928,873 A 5/1990 Johnson  
4,966,300 A 10/1990 Coonradt ..... 220/707  
5,011,536 A 4/1991 Boom  
5,033,704 A 7/1991 Kerr  
D320,295 S 9/1991 Delmerico  
5,083,733 A 1/1992 Marino et al.  
5,092,481 A 3/1992 Skelton  
D327,555 S 6/1992 Juergens  
5,147,067 A 9/1992 Effertz  
5,169,025 A 12/1992 Guo  
5,222,656 A 6/1993 Carlson  
D345,832 S 4/1994 Frazee et al.  
5,308,181 A 5/1994 Hull et al. .... 401/206  
5,320,249 A 6/1994 Strech  
5,322,183 A 6/1994 Strachan ..... 220/697  
5,333,353 A 8/1994 Taylor  
5,341,969 A \* 8/1994 Accardo et al. .... 222/465.1  
D353,241 S 12/1994 Breen ..... D32/53  
5,400,916 A 3/1995 Weber  
5,429,262 A 7/1995 Sharkey  
5,493,751 A 2/1996 Misiukowicz et al. .... 15/257.06  
5,511,279 A 4/1996 Ippolito  
5,548,865 A 8/1996 Pagani ..... 15/262

5,549,216 A 8/1996 Scholl  
5,553,701 A \* 9/1996 Jarecki et al. .... 206/15.2  
D374,321 S 10/1996 Mandell et al.  
5,570,807 A 11/1996 Busch  
5,624,093 A 4/1997 Gemmell  
5,641,087 A 6/1997 Moffitt  
D389,626 S 1/1998 Lundy ..... D32/53  
5,746,346 A 5/1998 Crilly  
D395,531 S 6/1998 Mandell et al. .... D32/53  
D396,914 S 8/1998 Pepper et al. .... D32/53  
5,810,196 A 9/1998 Lundy  
RE35,933 E 10/1998 Scholl  
D401,116 S 11/1998 Demore  
5,836,469 A 11/1998 Zebrowski  
5,971,201 A 10/1999 Daw  
D417,051 S 11/1999 Dickinson et al. .... D32/53  
6,062,389 A 5/2000 Kent ..... 206/518  
6,065,633 A 5/2000 Abbey  
D426,361 S \* 6/2000 Young ..... D32/53  
D429,862 S 8/2000 Houry et al.  
6,105,816 A 8/2000 Shea  
6,119,303 A 9/2000 Passafiume  
6,138,963 A 10/2000 Malvasio  
D435,728 S 1/2001 Miles et al.  
D444,278 S 6/2001 Myers, Jr.  
D444,929 S 7/2001 Cox  
D445,676 S \* 7/2001 Nance ..... D9/424  
6,260,730 B1 7/2001 Fellman  
6,382,354 B2 5/2002 Ahl et al. .... 182/129  
D458,723 S 6/2002 Malvasio ..... D32/53.1  
D460,845 S 7/2002 Bergman  
6,419,106 B1 7/2002 Bebak  
6,446,829 B1 9/2002 Malvasio et al.  
D466,407 S 12/2002 Nance  
D477,447 S 7/2003 Calaicone ..... D32/53  
D477,702 S 7/2003 Kohn ..... D32/53  
6,604,721 B2 8/2003 Ahl et al. .... 248/210  
D482,830 S 11/2003 Kohn ..... D32/53.1  
D483,917 S 12/2003 Frantz ..... D32/53.1  
6,708,838 B2 3/2004 Bergman et al.  
D493,035 S 7/2004 Bergman  
6,991,829 B2 1/2006 Bergman ..... 427/429  
D533,977 S \* 12/2006 Bensussan et al. .... D32/53  
2002/0036206 A1 3/2002 Bergman et al.  
2002/0056714 A1 5/2002 Schinkel  
2004/0195248 A1 10/2004 Garcia ..... 220/570  
2004/0206761 A1 10/2004 Frantz ..... 220/570  
2004/0256335 A1 12/2004 Sholem ..... 211/70.6

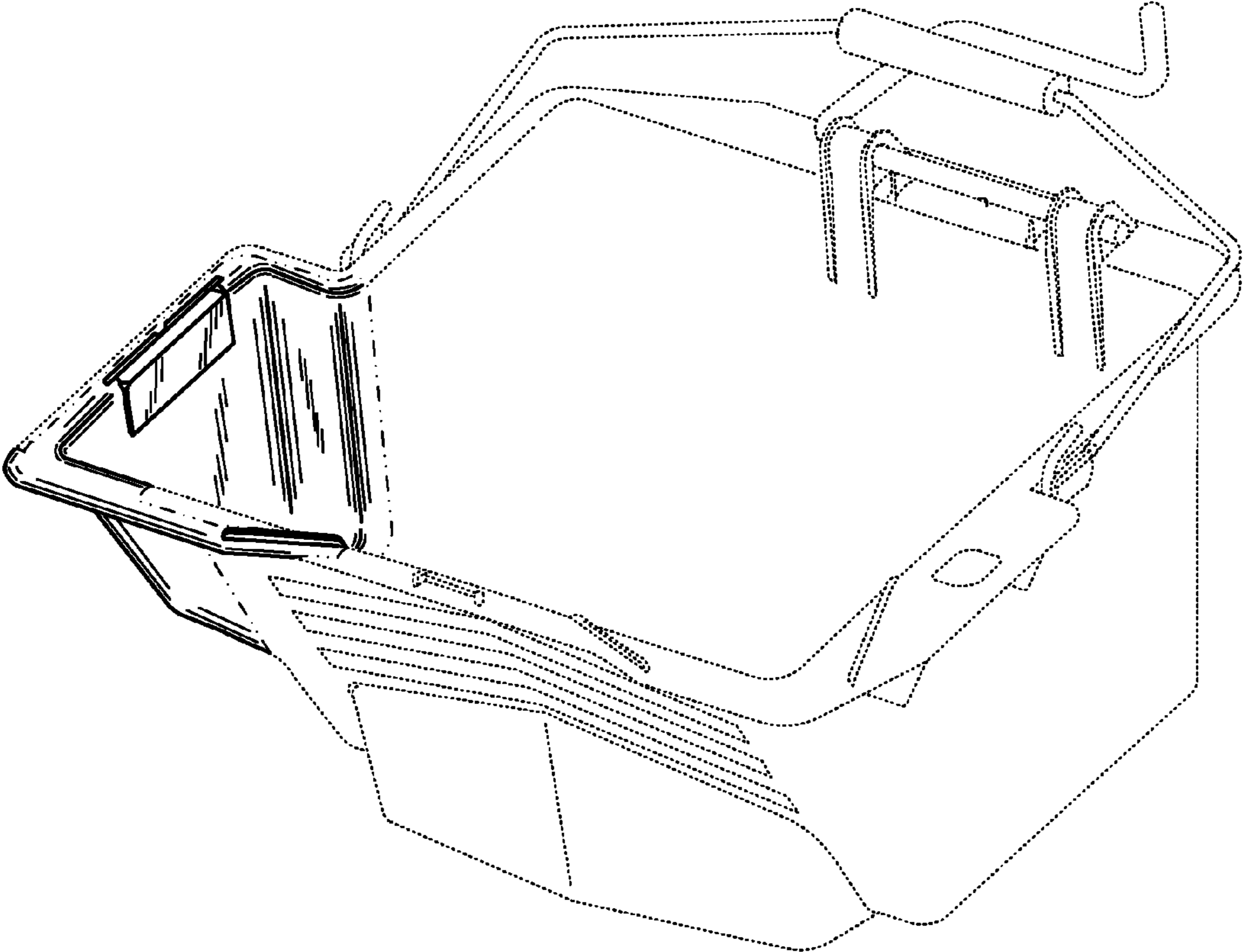
## FOREIGN PATENT DOCUMENTS

JP 10 287339 10/1998

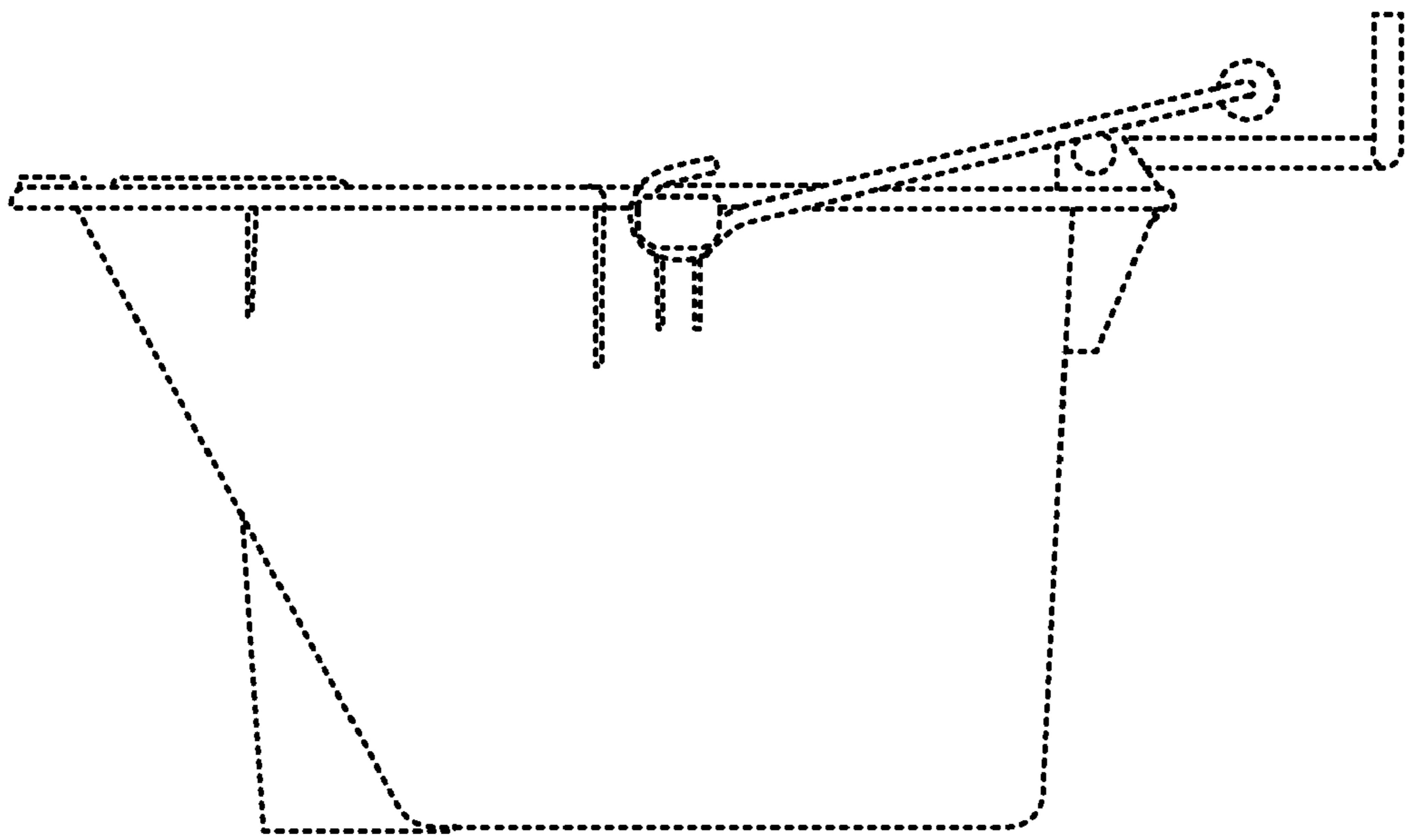
## OTHER PUBLICATIONS

Fourteen (14) photos of a pail known to the public prior to Apr. 29, 2004 (14 pages).

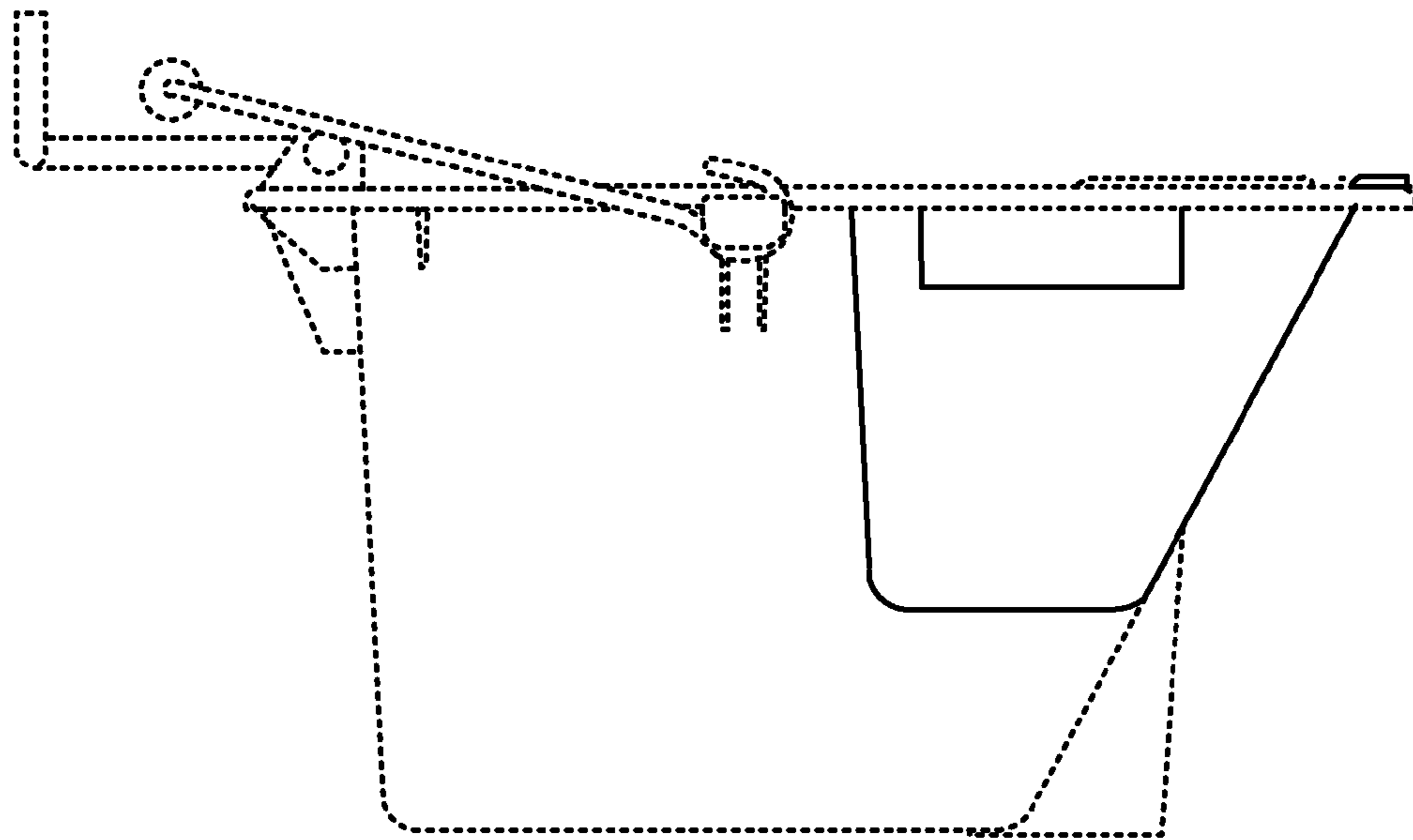
\* cited by examiner



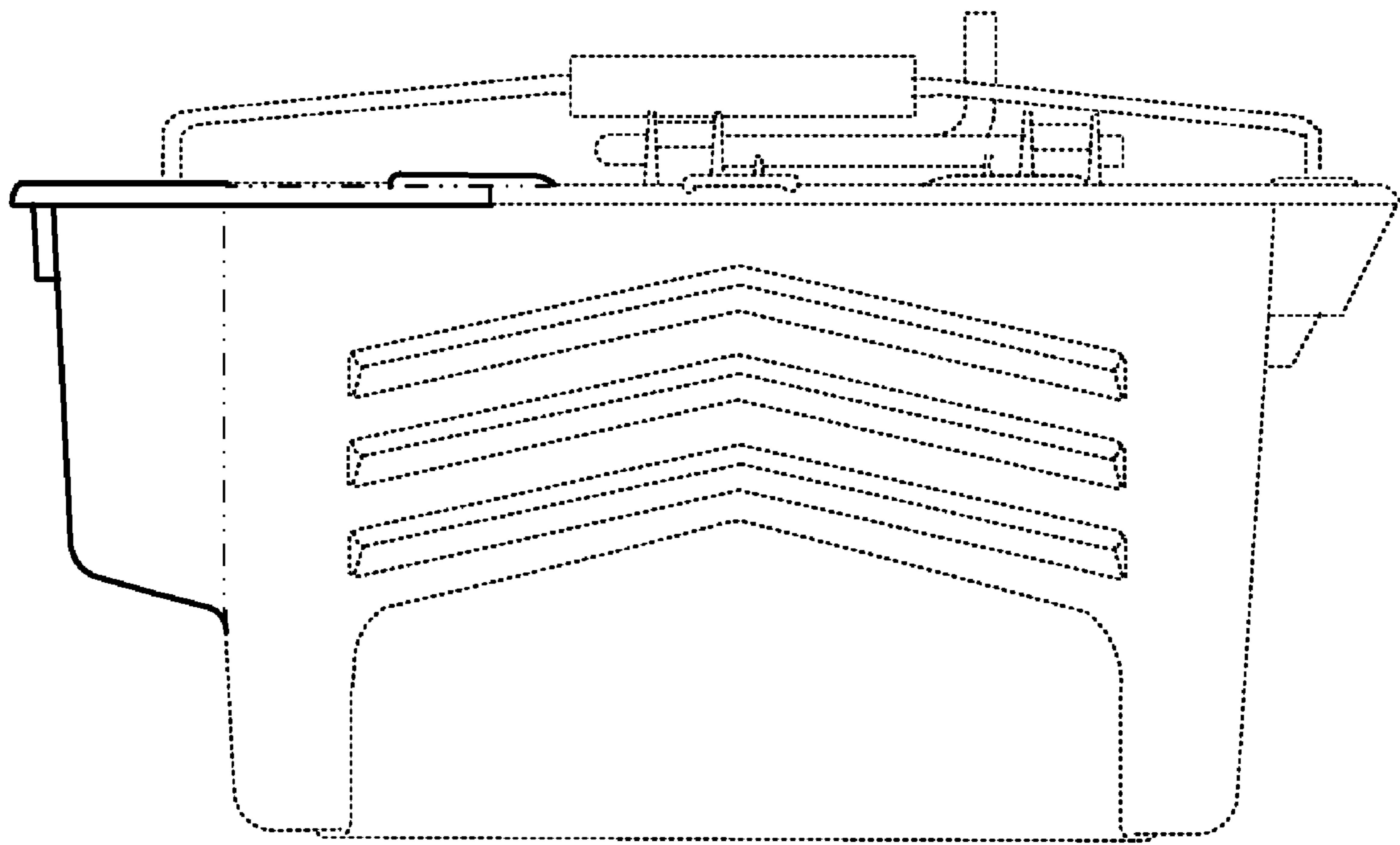
*Fig. 1*



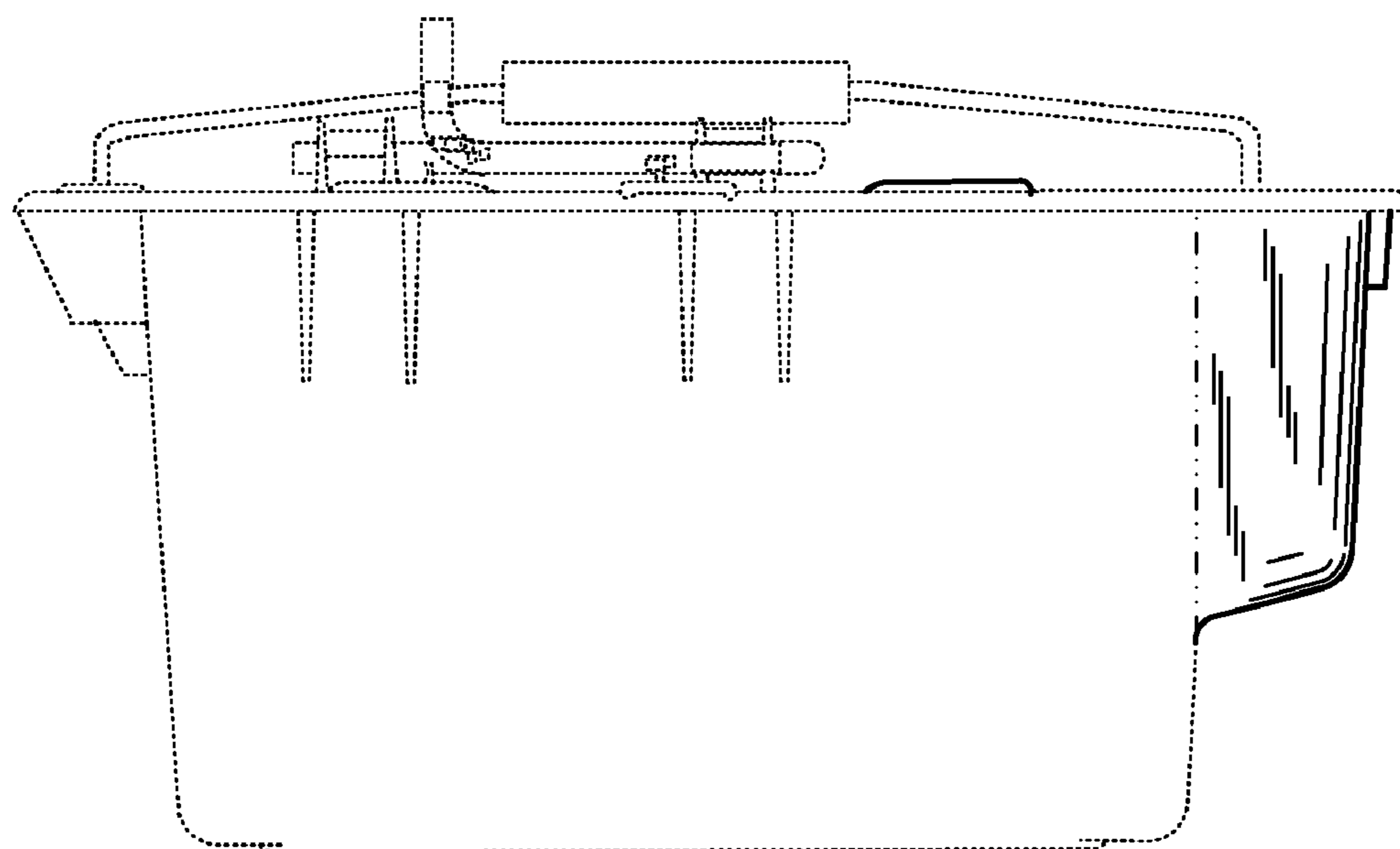
*Fig. 2*



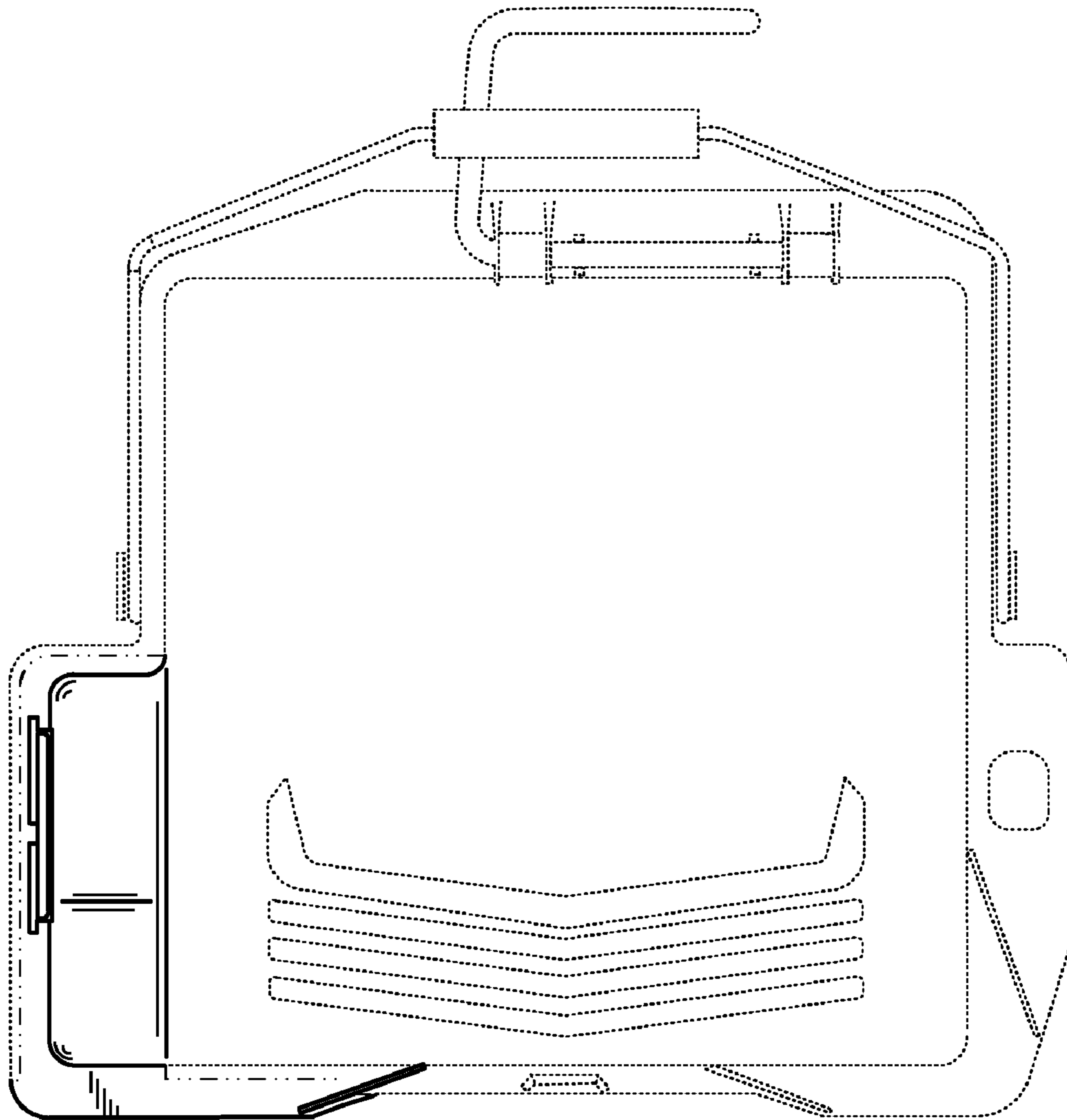
*Fig. 3*



*Fig. 4*

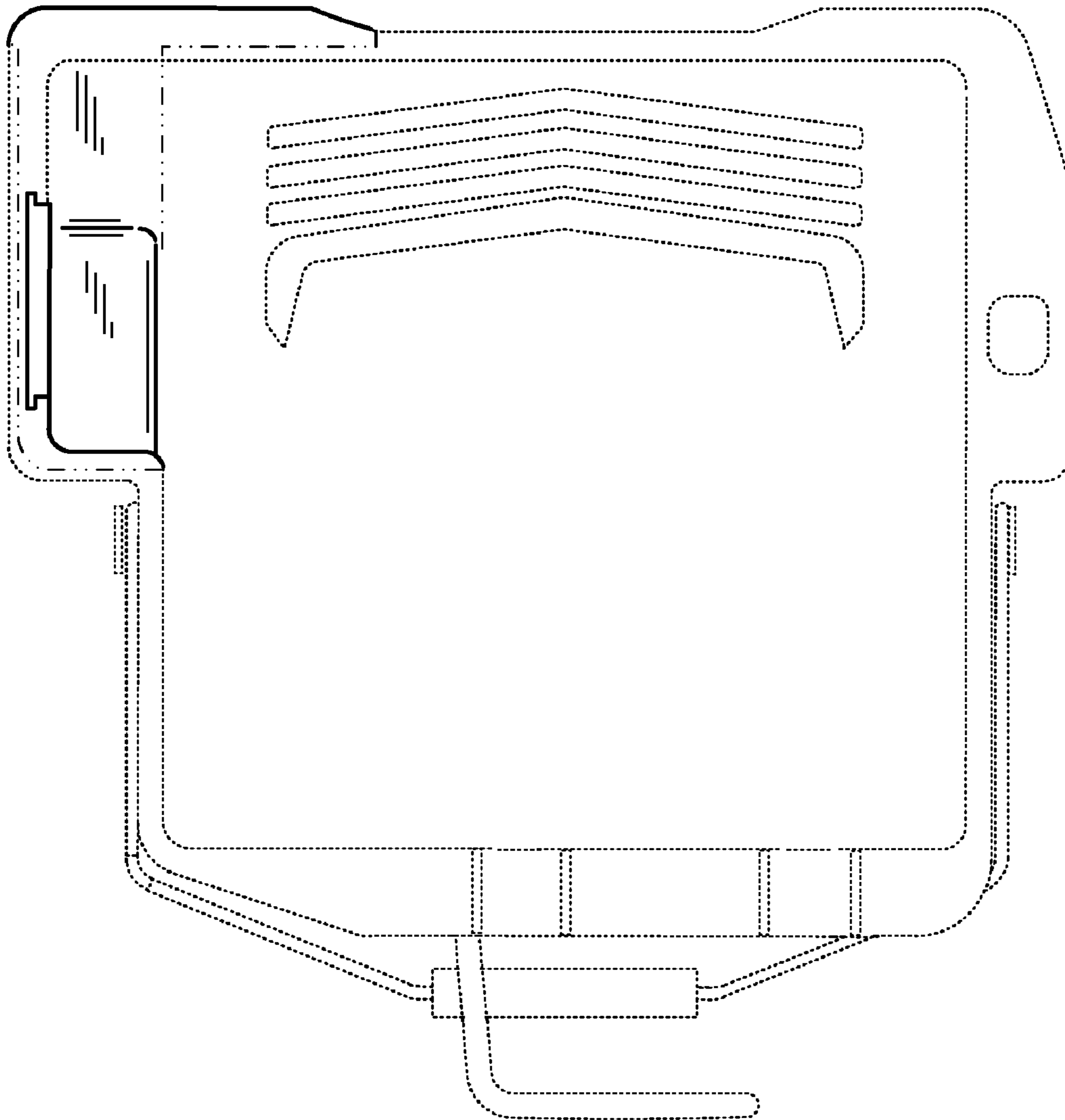


*Fig. 5*



*Fig. 6*





*Fig. 7*

**UNITED STATES PATENT AND TRADEMARK OFFICE**  
**Certificate**

Patent No. D. 606,720 S

Patented: December 22, 2009

On petition requesting issuance of a certificate for correction of inventorship pursuant to 35 U.S.C. 256, it has been found that the above identified patent, through error and without any deceptive intent, improperly sets forth the inventorship.

Accordingly, it is hereby certified that the correct inventorship of this patent is: Mark W. Bergman, Minnetonka, MN (US); Matthew V. Leyden, St. Paul, MN (US); Jeffrey B. Waffensmith, North Oaks, MN (US); and Jeffrey T. Given, St. Paul, MN (US).

Signed and Sealed this Second Day of July 2013.

CATHRON BROOKS  
*Supervisory Patent Examiner*  
Art Unit 2911  
Technology Center 2900