



US00D606719S

(12) **United States Design Patent**
Robertson et al.

(10) **Patent No.:** **US D606,719 S**

(45) **Date of Patent:** **** Dec. 22, 2009**

(54) **FLOOR MOPPING HEAD**

(76) Inventors: **Terry Robertson**, 54 Samantha Pl.,
Dadeville, AL (US) 36853; **Milanese**
Pierantonio, via Vallonga 18, Susegana,
TV (IT) 31058; **Andrea Milanese**, Via
XX Settembre, Conegliano, TV (IT)
31015

(**) Term: **14 Years**

(21) Appl. No.: **29/342,607**

(22) Filed: **Aug. 28, 2009**

Related U.S. Application Data

(63) Continuation-in-part of application No. 29/340,813,
filed on Jul. 27, 2009, and a continuation of application
No. 12/547,919, filed on Aug. 26, 2009, and a continu-
ation of application No. 29/342,539, filed on Aug. 26,
2009.

(51) **LOC (9) Cl.** **04-01**

(52) **U.S. Cl.** **D32/50**

(58) **Field of Classification Search** D32/50,
D32/40, 51-52, 49; 15/115, 119.2, 116.2,
15/118, 229.3, 229.6-229.8, 228, 220.1;
428/198; 451/515, 190, 209.1, 288, 231
See application file for complete search history.

(56) **References Cited**

U.S. PATENT DOCUMENTS

D245,473 S * 8/1977 Heninger D32/50

D280,248 S * 8/1985 Hanson, Jr. D32/50
D460,232 S * 7/2002 Weihrauch D32/50
D471,334 S * 3/2003 Reede D32/50
D547,069 S * 7/2007 Braithwaite et al. D4/137
D549,415 S * 8/2007 Trotter et al. D32/50
D574,566 S * 8/2008 Byrne D32/50
D576,367 S * 9/2008 Anderson et al. D32/50
D589,668 S * 3/2009 Byrne D32/50
7,540,056 B2 * 6/2009 Dotterman et al. 15/228

* cited by examiner

Primary Examiner—Cathron C Brooks

Assistant Examiner—Austin Murphy

(74) *Attorney, Agent, or Firm*—Francis Marino

(57) **CLAIM**

The ornamental design for a floor mopping head, as shown
and described.

DESCRIPTION

FIG. 1 is a perspective view of a floor mopping head accord-
ing to our new design;

FIG. 2 is a top plan view of the head of FIG. 1;

FIG. 3 is a bottom plan view of the head of FIG. 1.

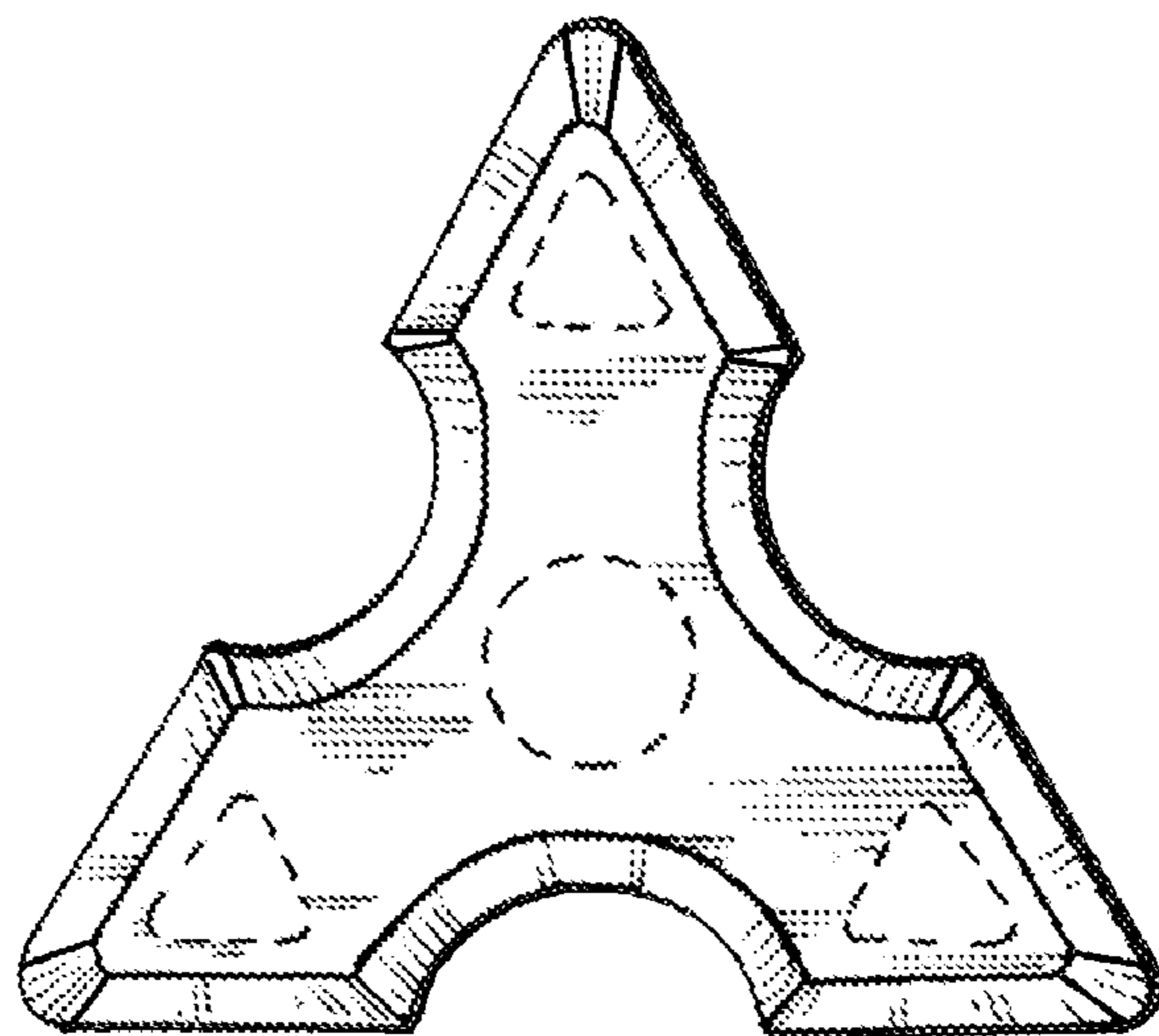
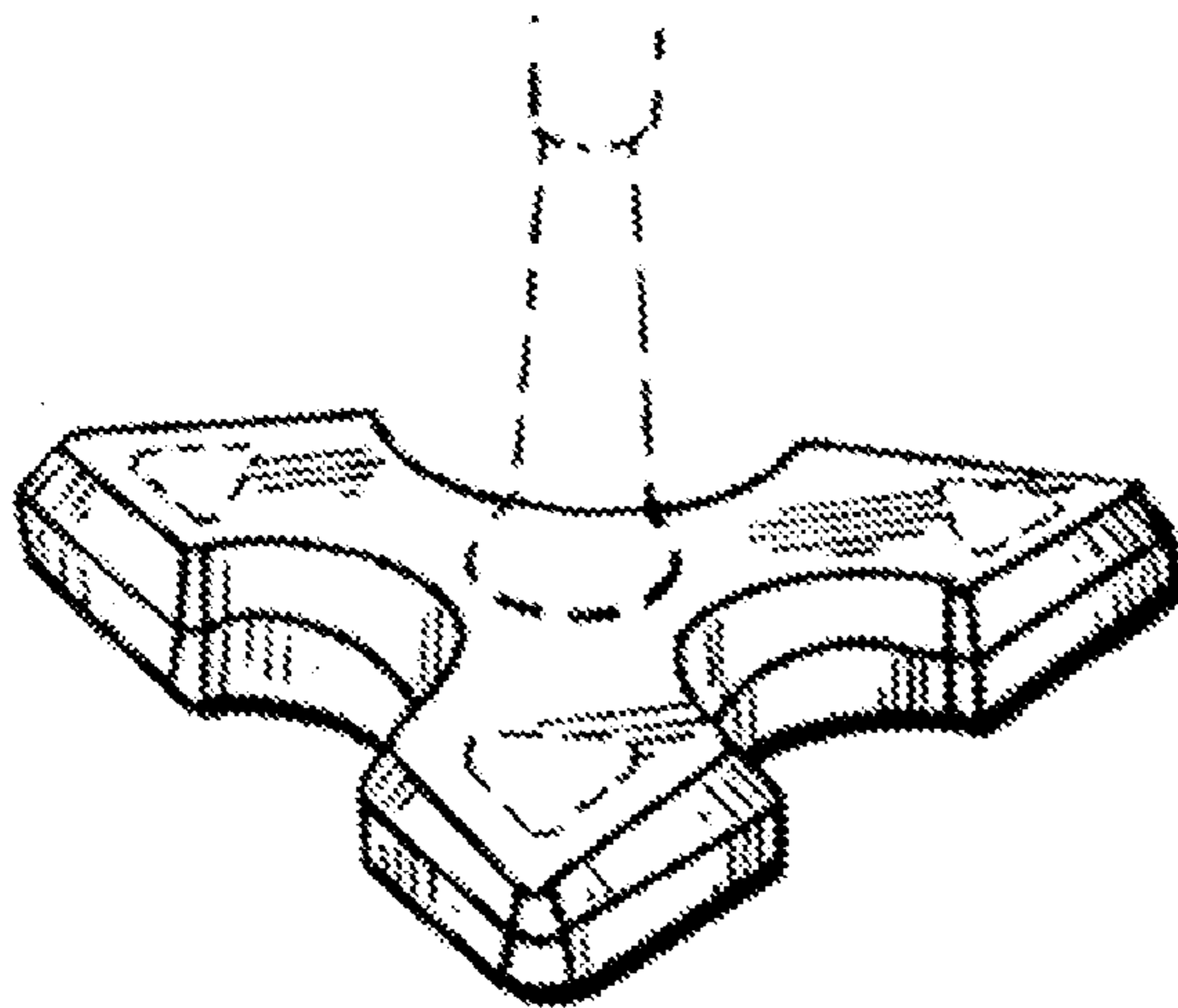
FIG. 4 is a front elevation view of the head of FIG. 1;

FIG. 5 and is a left side elevation view of the head of FIG. 1
(the right side view being a mirror image thereof); and,

FIG. 6 is a rear elevation view of the head of FIG. 1.

The features shown in broken lines are for environmental
purposes only and form no part of the claimed design.

1 Claim, 1 Drawing Sheet



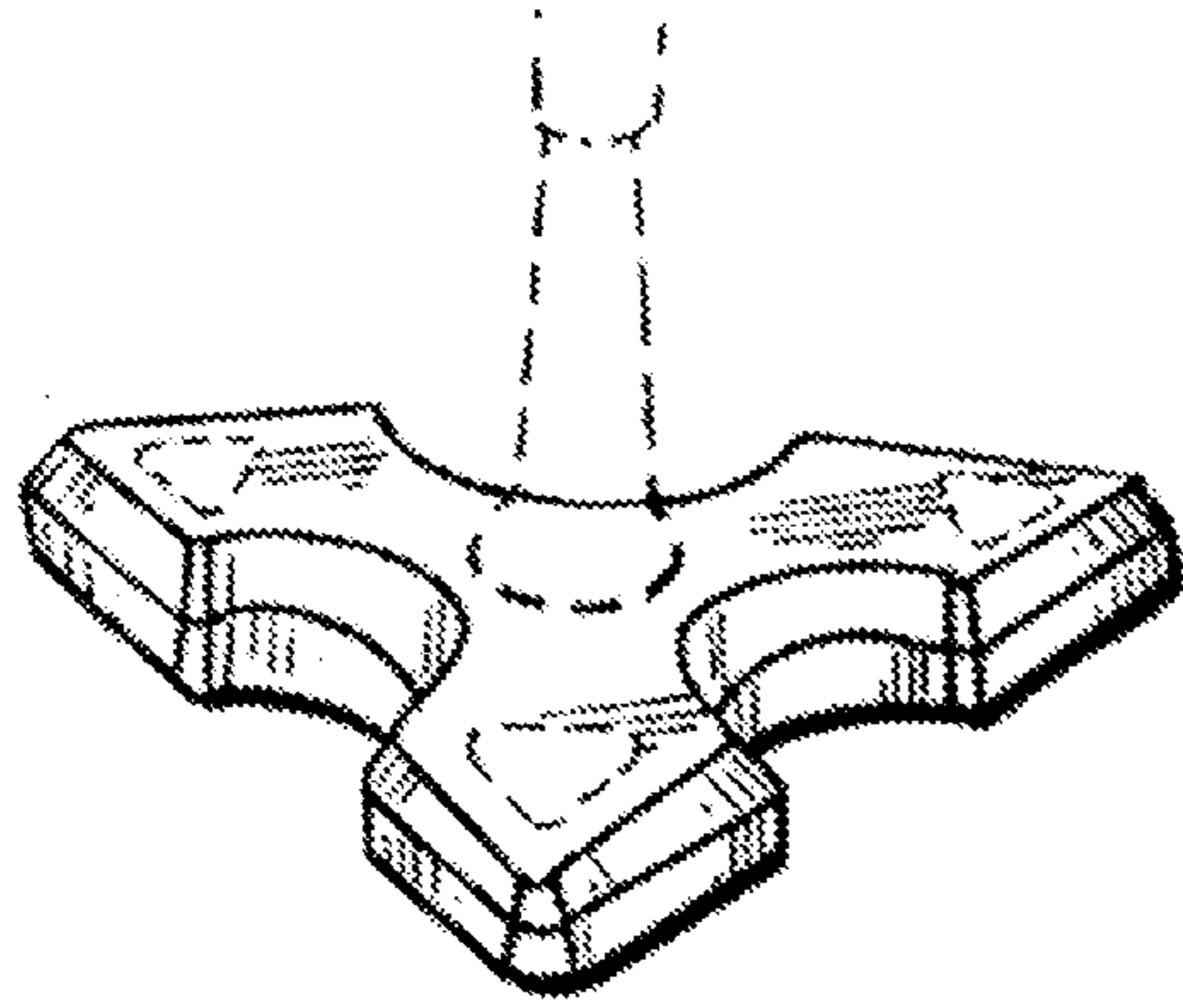


Fig. 1

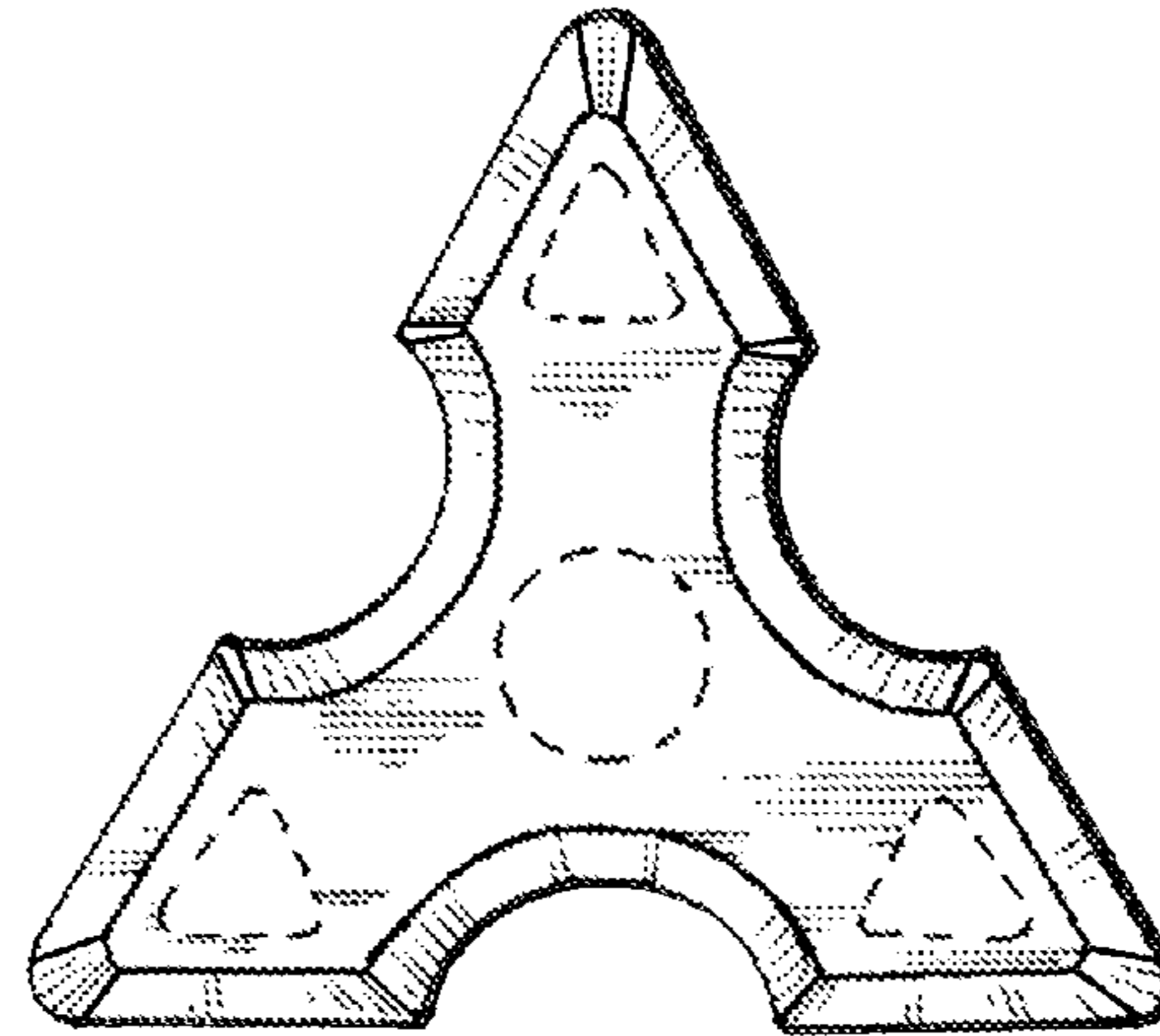


Fig. 2

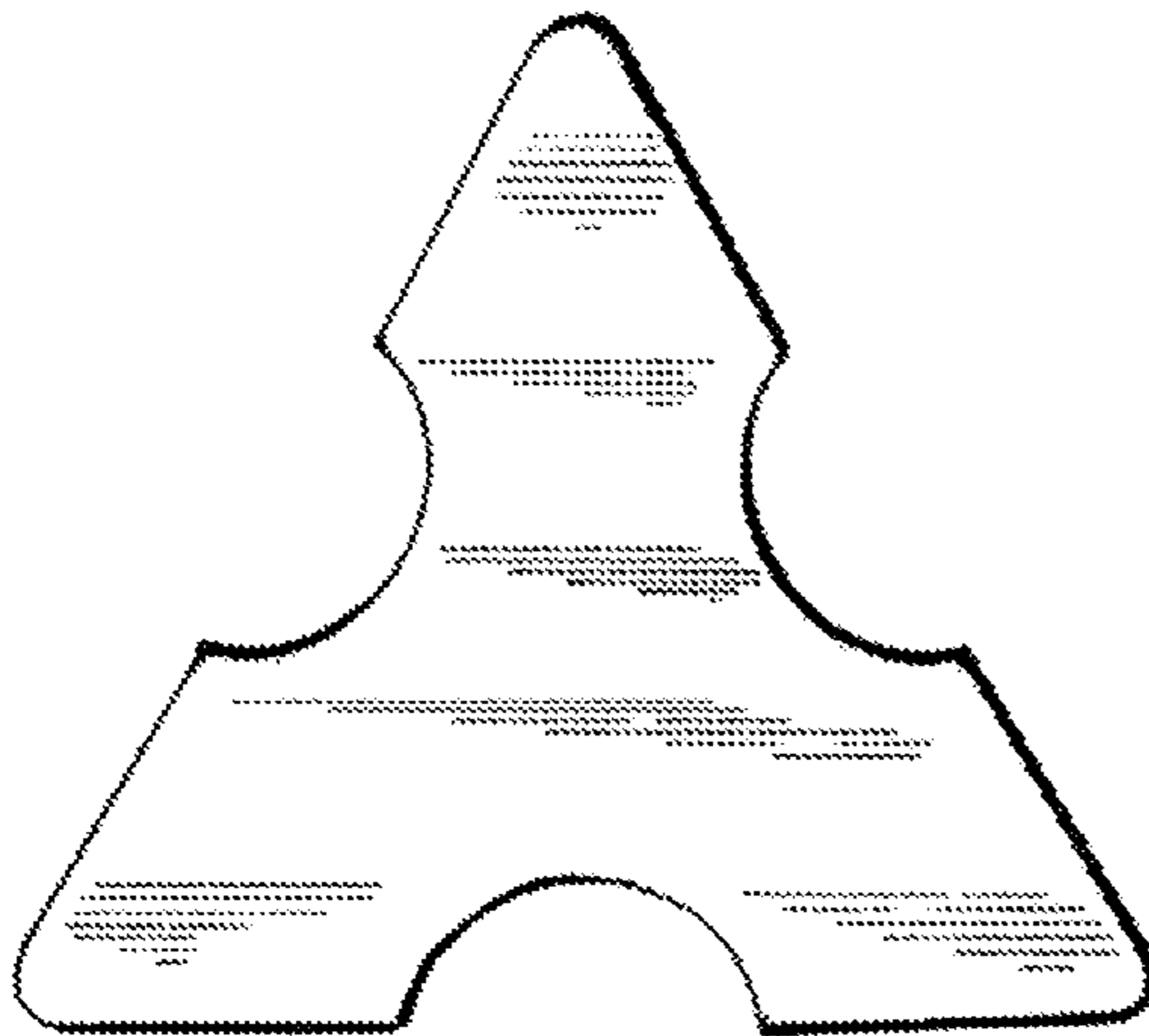


Fig. 3

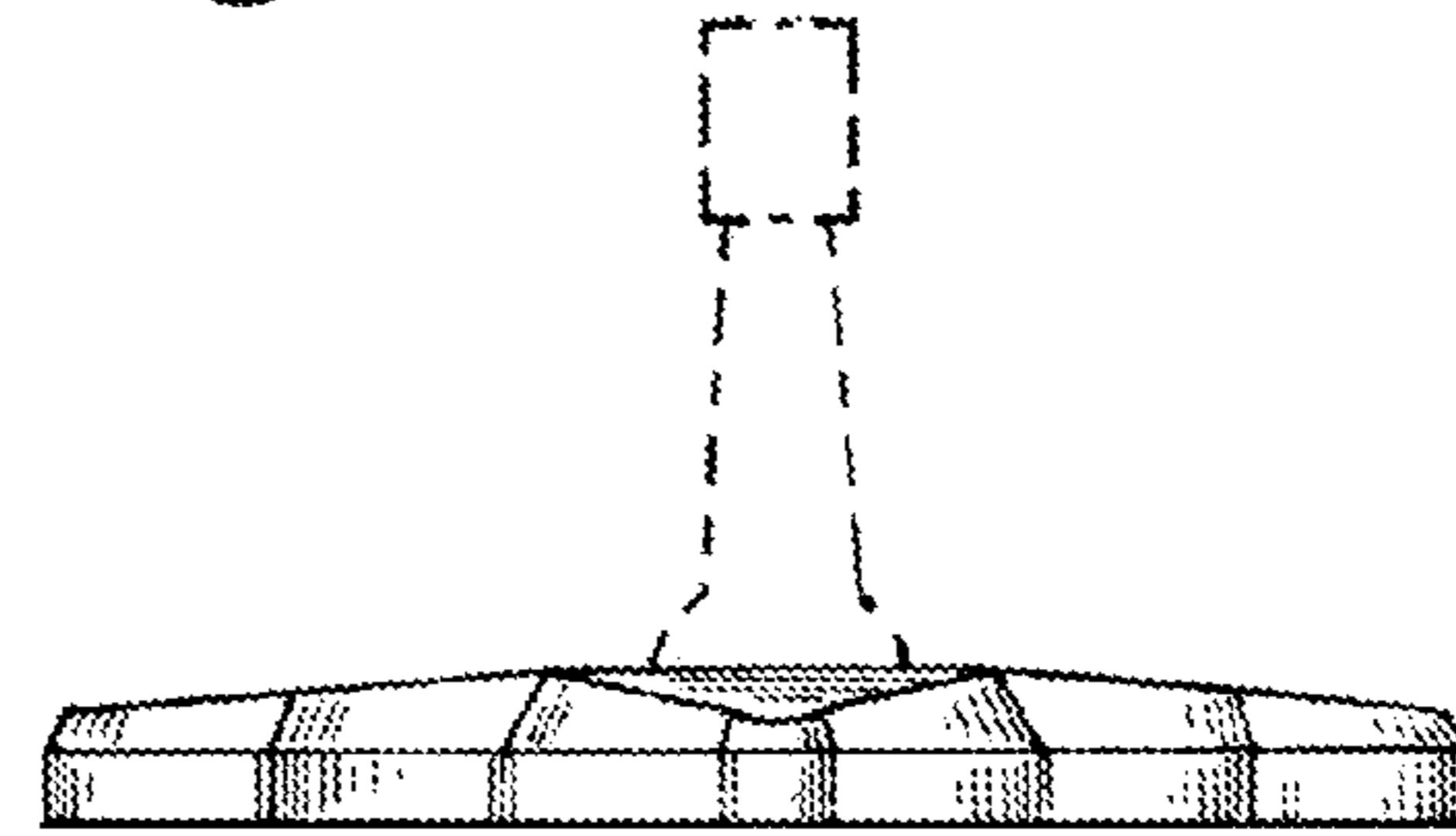


Fig. 4

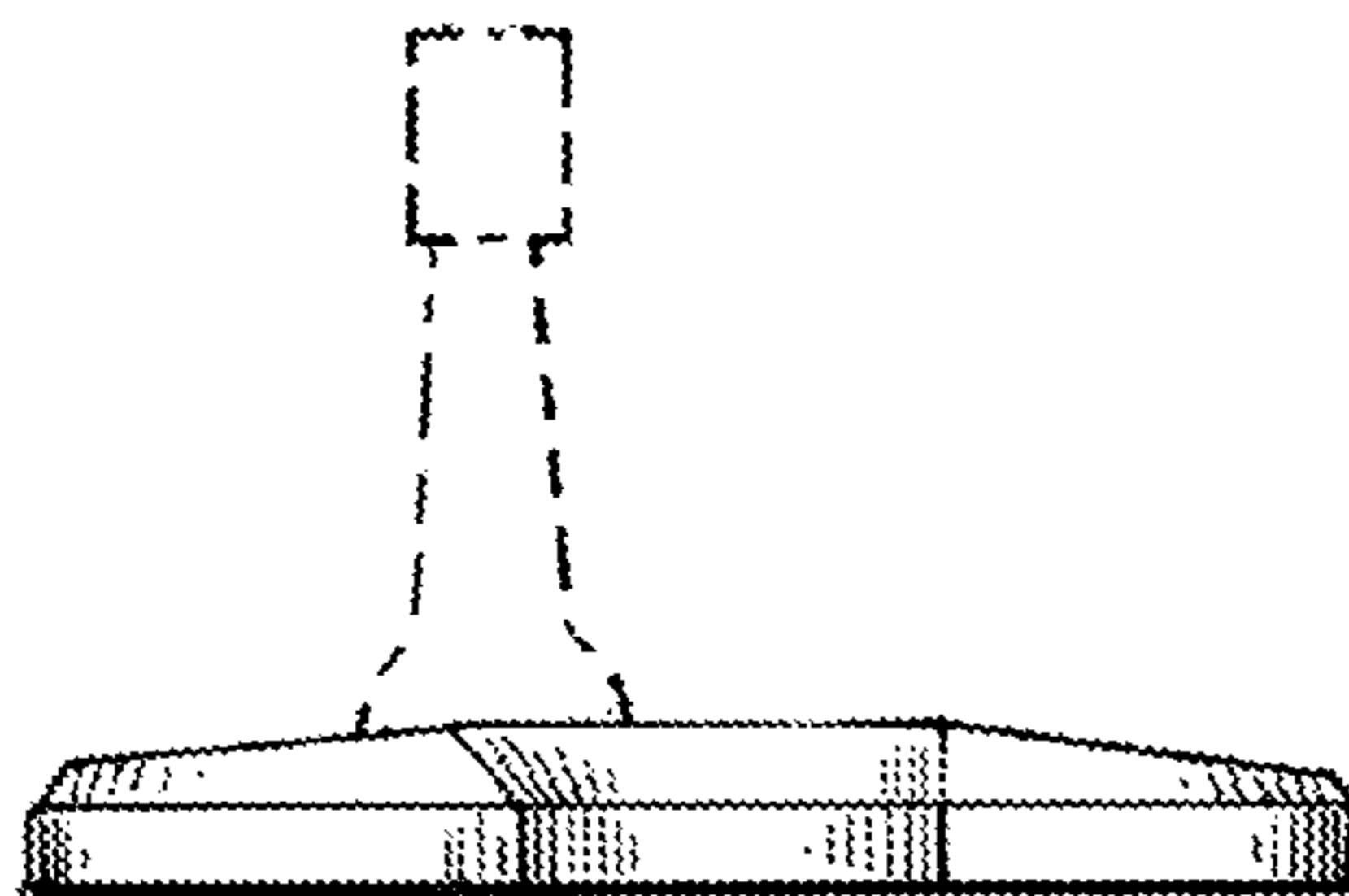


Fig. 5

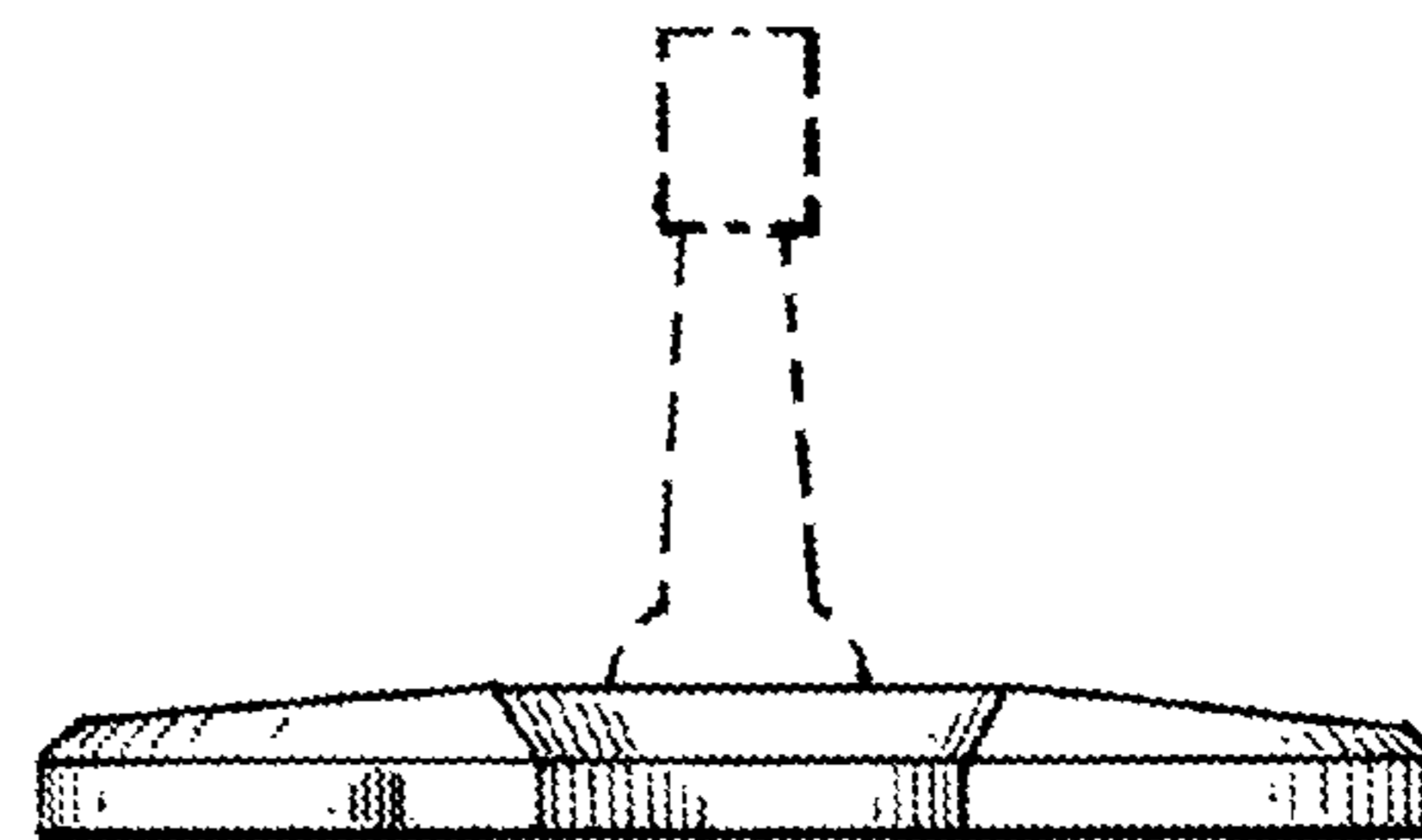


Fig. 6