



US00D606717S

(12) **United States Design Patent**
Xia

(10) **Patent No.:** **US D606,717 S**

(45) **Date of Patent:** **** Dec. 22, 2009**

(54) **HAND-HELD DRAIN CLEARING DEVICE**

(76) **Inventor:** **Hong Xia**, Room 1501, No. 27, Lane 259, Tian Deng Road, Xu Hui District, Shanghai (CN) 200030

(**) **Term:** **14 Years**

(21) **Appl. No.:** **29/311,883**

(22) **Filed:** **Jul. 22, 2009**

(51) **LOC (9) Cl.** **08-99**

(52) **U.S. Cl.** **D32/35**

(58) **Field of Classification Search** D32/35, D32/40, 45, 52; D4/146, 114, 121, 127, D4/130, 132-133, 136, 138; 15/105.52, 15/107, 114, 118, 237, 142, 104.92, 21.1, 15/320-321, 323, 406; 401/146, 6, 268, 401/118, 123, 131; 294/19.1, 49; 4/255.11
See application file for complete search history.

(56) **References Cited**

U.S. PATENT DOCUMENTS

| | | | | |
|-----------|-----|--------|--------------------------------|------------|
| 3,644,943 | A * | 2/1972 | Parodi fu Leonardo et al. | 4/255.11 |
| 4,320,539 | A * | 3/1982 | Li | 4/255.06 |
| 4,539,985 | A * | 9/1985 | Magrath | 128/205.13 |
| 4,745,641 | A * | 5/1988 | Tash | 4/255.11 |
| 6,067,668 | A * | 5/2000 | Rudd | 4/255.11 |

| | | | | |
|--------------|------|--------|-------------|---------|
| D454,673 | S * | 3/2002 | Hwang | D32/35 |
| D456,574 | S * | 4/2002 | Chen | D32/35 |
| D509,333 | S * | 9/2005 | Tash | D32/35 |
| 7,350,265 | B2 * | 4/2008 | Zhang | 15/406 |
| 2006/0096060 | A1 * | 5/2006 | Zhang | 15/406 |
| 2008/0097351 | A1 * | 4/2008 | Sapia | 604/267 |

* cited by examiner

Primary Examiner—Cathron C Brooks

Assistant Examiner—Austin Murphy

(74) *Attorney, Agent, or Firm*—Bacon & Thomas, PLLC

(57) **CLAIM**

The ornamental design for a hand-held drain clearing device, as shown.

DESCRIPTION

FIG. 1 is a space view of a hand-held drain clearing device showing my new design;

FIG. 2 is a front view thereof;

FIG. 3 is a back view thereof;

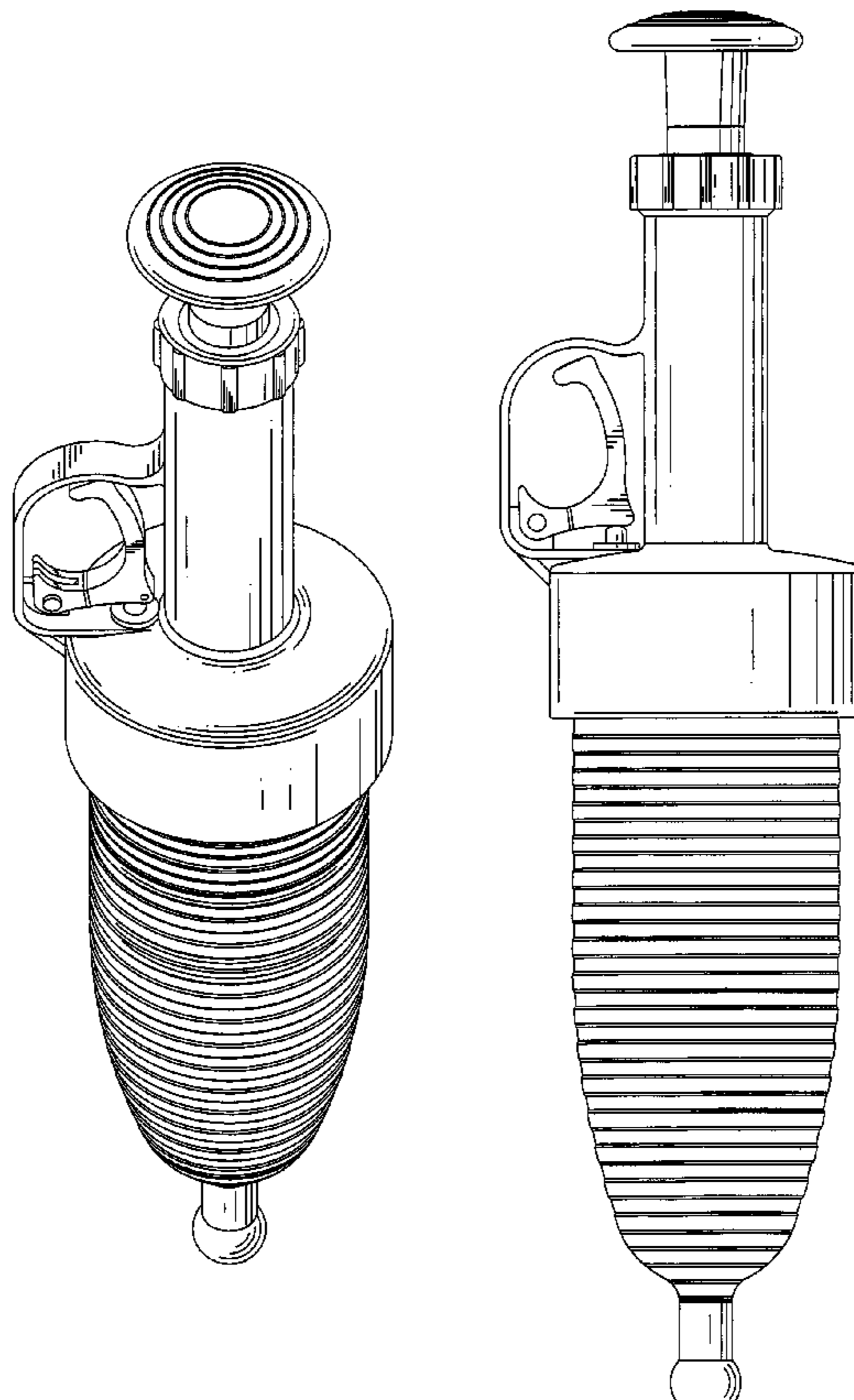
FIG. 4 is a left view thereof;

FIG. 5 is a right view thereof; and

FIG. 6 is a top view thereof; and,

FIG. 7 is a bottom view thereof.

1 Claim, 6 Drawing Sheets



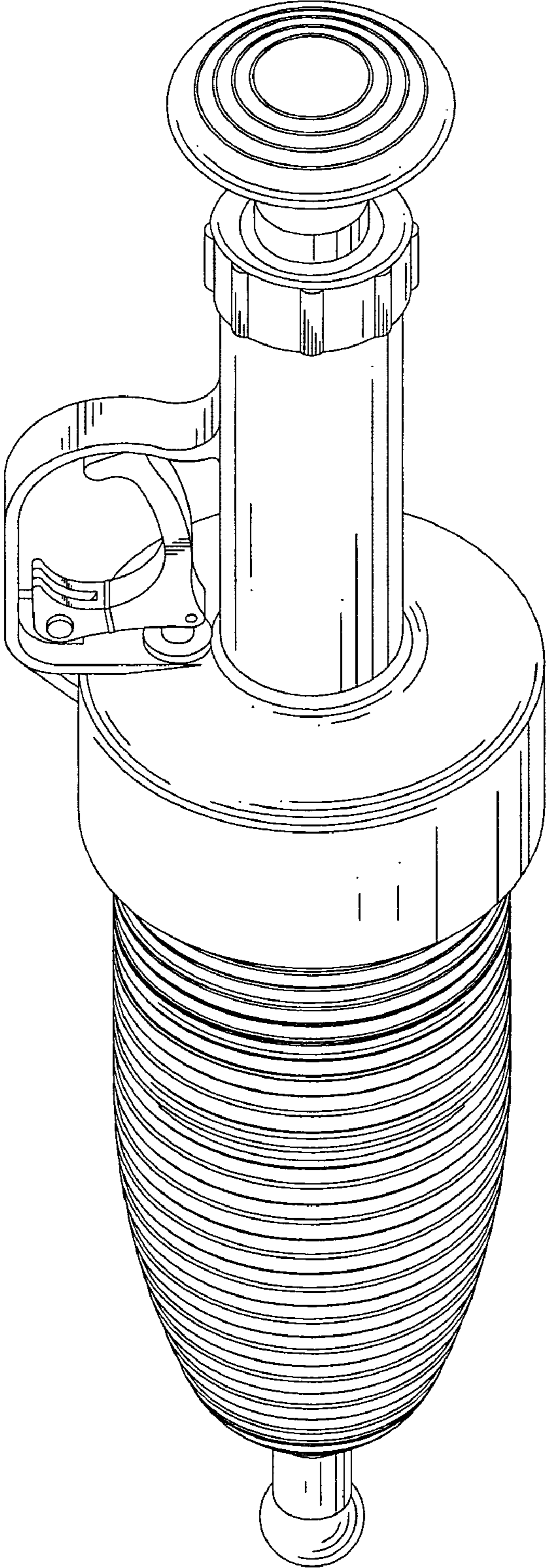


FIG. 1

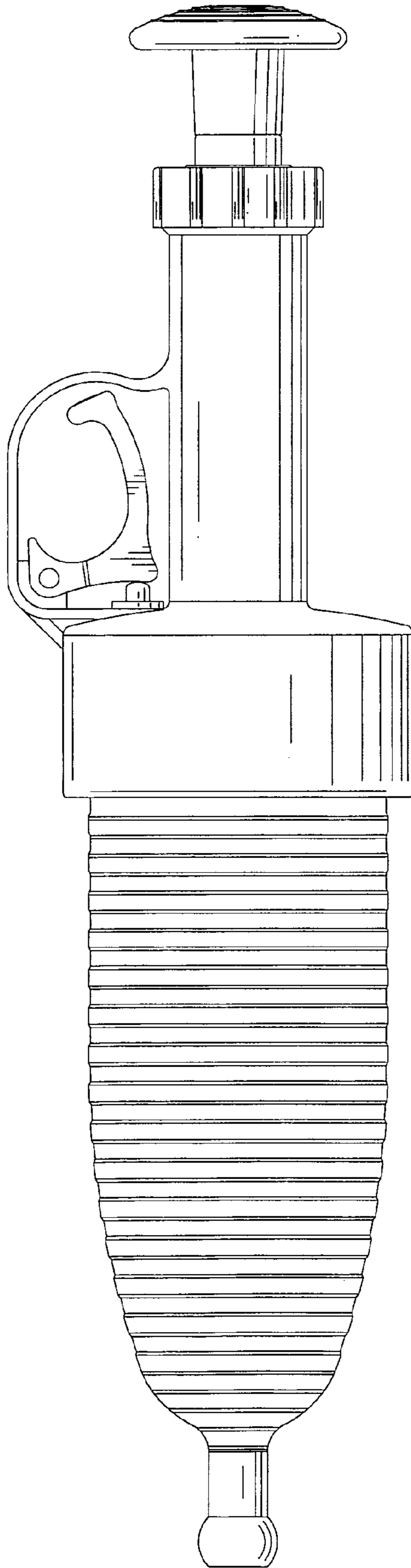


FIG.2

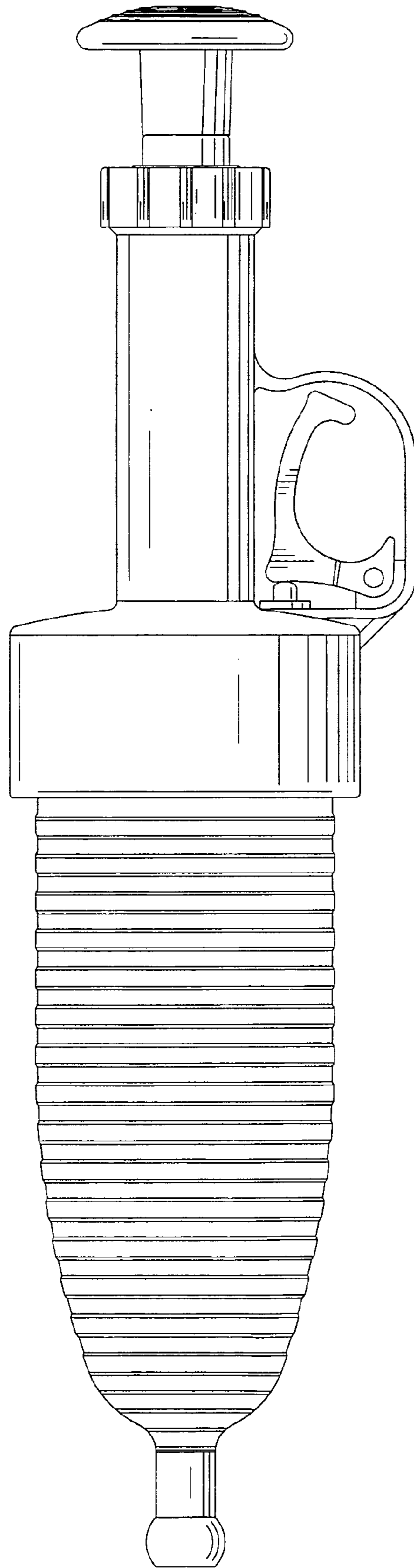


FIG.3

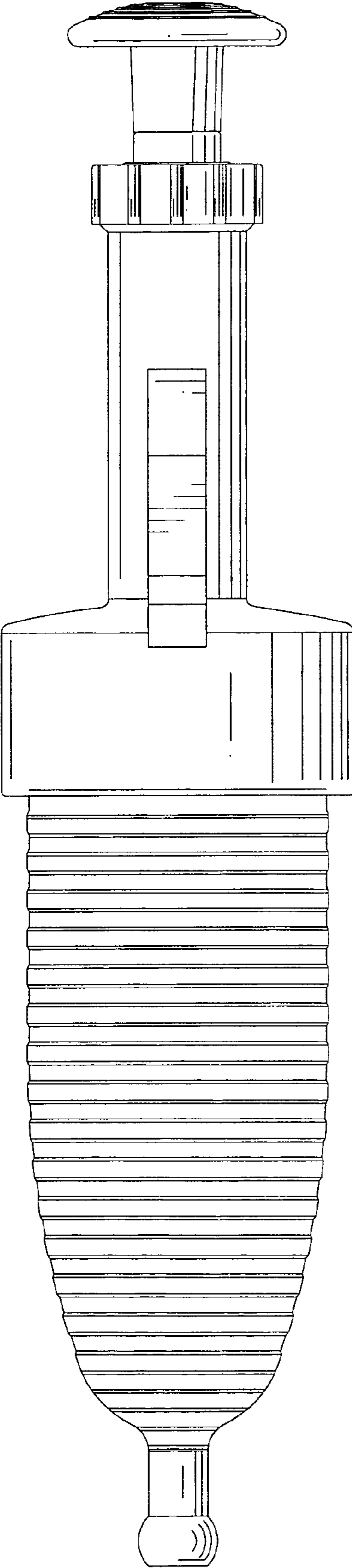


FIG.4

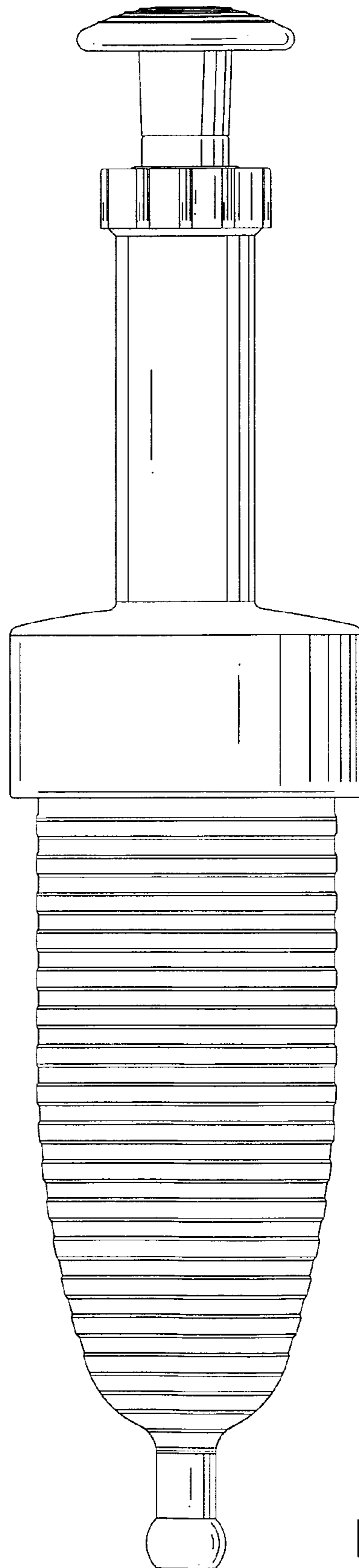


FIG.5

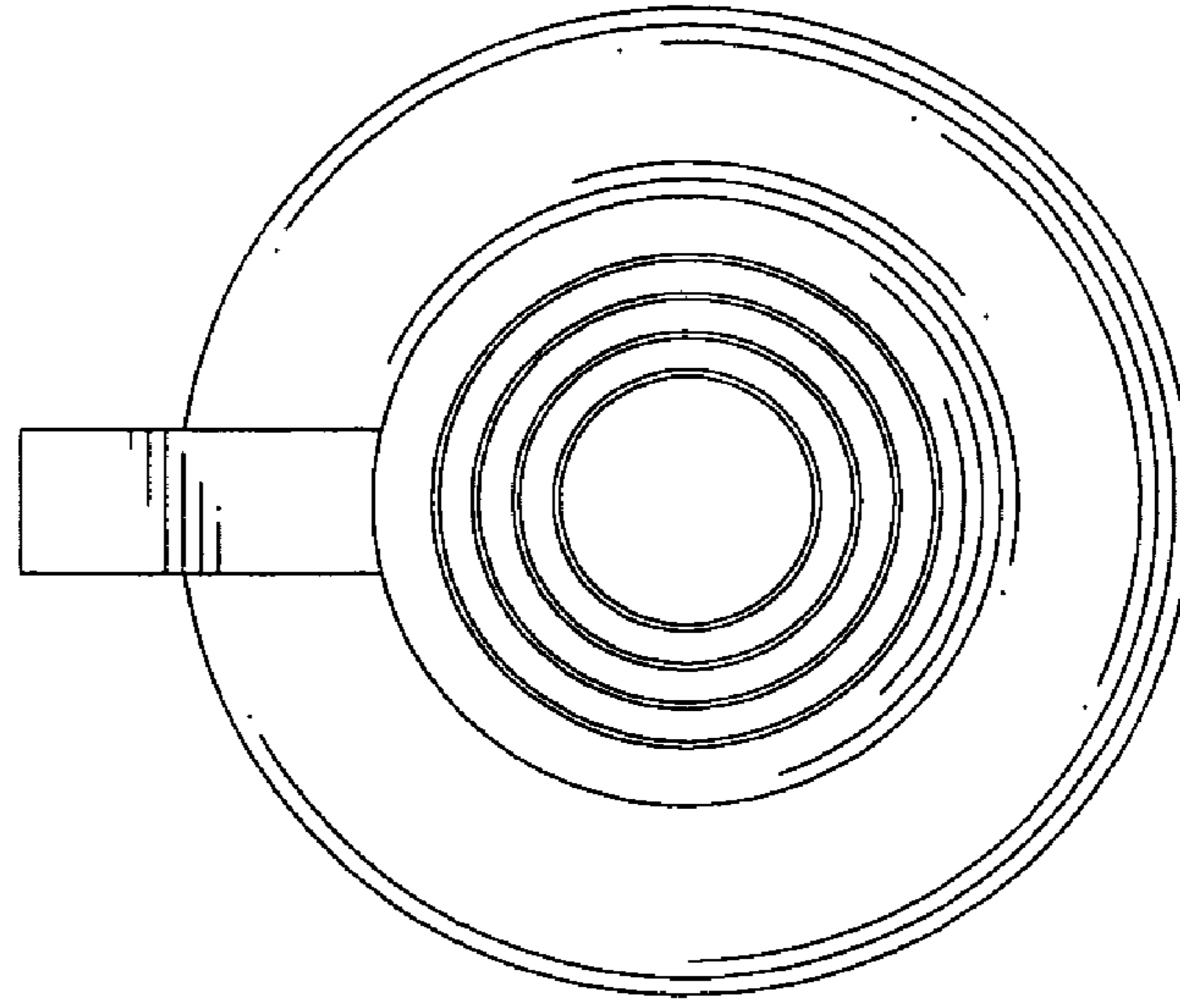


FIG. 6

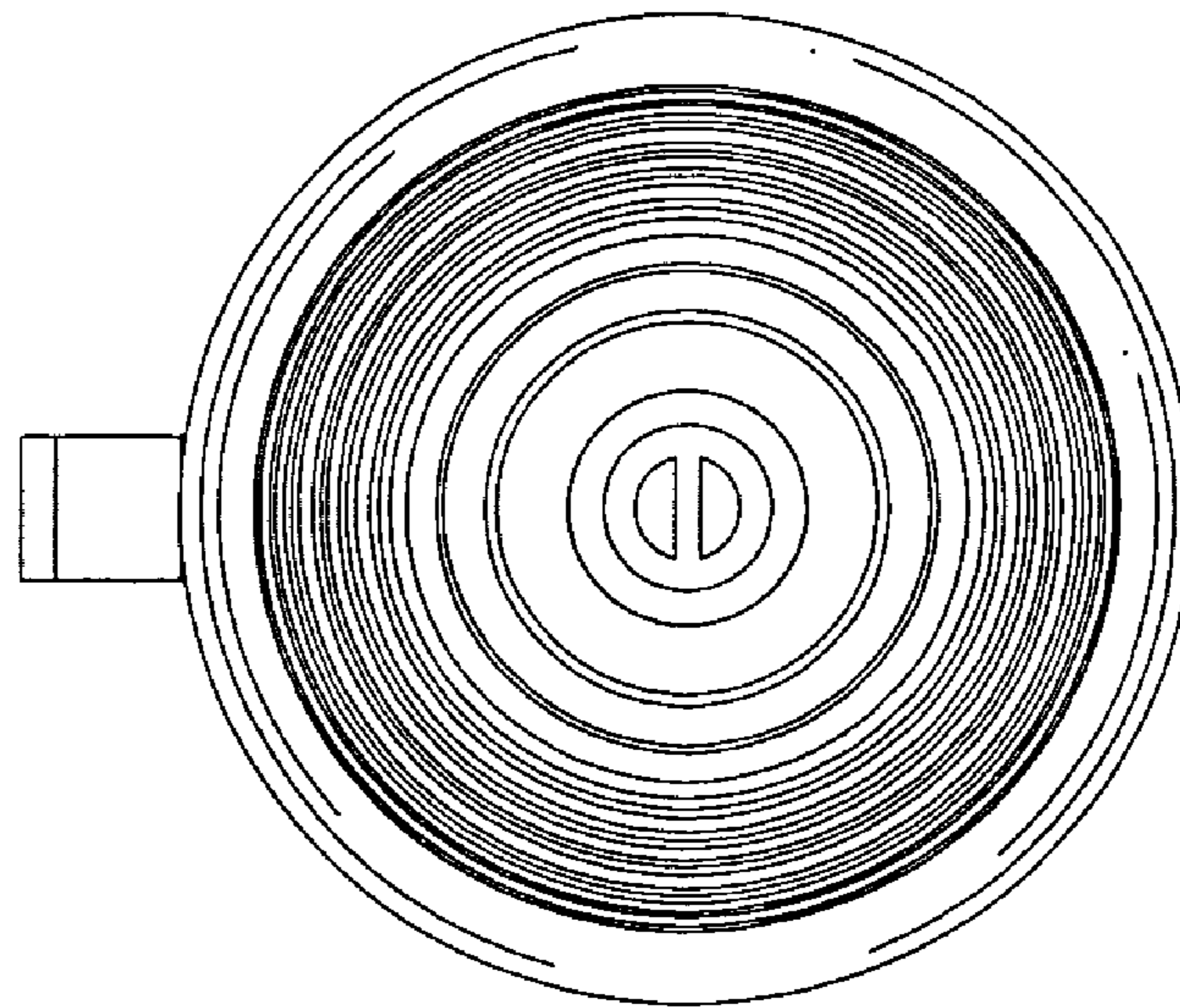


FIG. 7