



US00D606716S

(12) **United States Design Patent**  
**Crevling, Jr. et al.**

(10) **Patent No.:** **US D606,716 S**

(45) **Date of Patent:** **\*\* Dec. 22, 2009**

(54) **VACUUM CLEANER NOZZLE**

(75) Inventors: **Robert L. Crevling, Jr.**, Cogan Station,  
PA (US); **Jason Gottschall**,  
Williamsport, PA (US); **Randy L. Buss**,  
Muncy, PA (US)

(73) Assignee: **Shop Vac Corporation**, Williamsport,  
PA (US)

(\*\*) Term: **14 Years**

(21) Appl. No.: **29/320,303**

(22) Filed: **Jun. 25, 2008**

(51) **LOC (9) Cl.** ..... **15-05**

(52) **U.S. Cl.** ..... **D32/32**

(58) **Field of Classification Search** ..... D32/22,  
D32/31-33, 38, 25, 15; 15/349, 329, 338,  
15/363, 366, 375, 378, 394, 399, 400, 246.2,  
15/327.1, 327.6-327.7, 334, 415.1-422,  
15/422.1, 412, 414, 393, 398, 350, 353-359,  
15/11, 17, 27, 28, 32; 55/DIG. 3; 56/12.9,  
56/13.1, 13.2, 17.3, DIG. 8, DIG. 9

See application file for complete search history.

(56) **References Cited**

U.S. PATENT DOCUMENTS

1,021,731	A *	3/1912	Allen	.....	15/338
1,703,863	A *	3/1929	Allen	.....	15/338
D230,761	S *	3/1974	Cope	.....	D15/17
4,319,379	A *	3/1982	Carrigan et al.	.....	15/400

D311,406	S *	10/1990	Hoepfner	.....	D15/17
5,231,827	A *	8/1993	Connolly et al.	.....	56/13.1
D365,571	S *	12/1995	Willner	.....	D15/17
D382,683	S *	8/1997	Henke et al.	.....	D32/25
5,678,399	A *	10/1997	Baron	.....	56/320.2
5,794,306	A *	8/1998	Firdaus	.....	15/418
5,799,365	A *	9/1998	Firdaus	.....	15/418
6,185,918	B1 *	2/2001	Nelson	.....	56/12.9
6,481,043	B1 *	11/2002	Anderson et al.	.....	15/246.2
D488,599	S *	4/2004	Chika	.....	D32/25
7,168,129	B2 *	1/2007	Smith	.....	15/416
2003/0167592	A1 *	9/2003	Egnatovich, Jr.	.....	15/394

\* cited by examiner

*Primary Examiner*—Ruth McInroy

(74) *Attorney, Agent, or Firm*—Marshall, Gerstein & Borun  
LLP

(57) **CLAIM**

The ornamental design for a vacuum cleaner nozzle, as shown.

**DESCRIPTION**

FIG. 1 is a perspective view of a vacuum cleaner nozzle showing our new design;

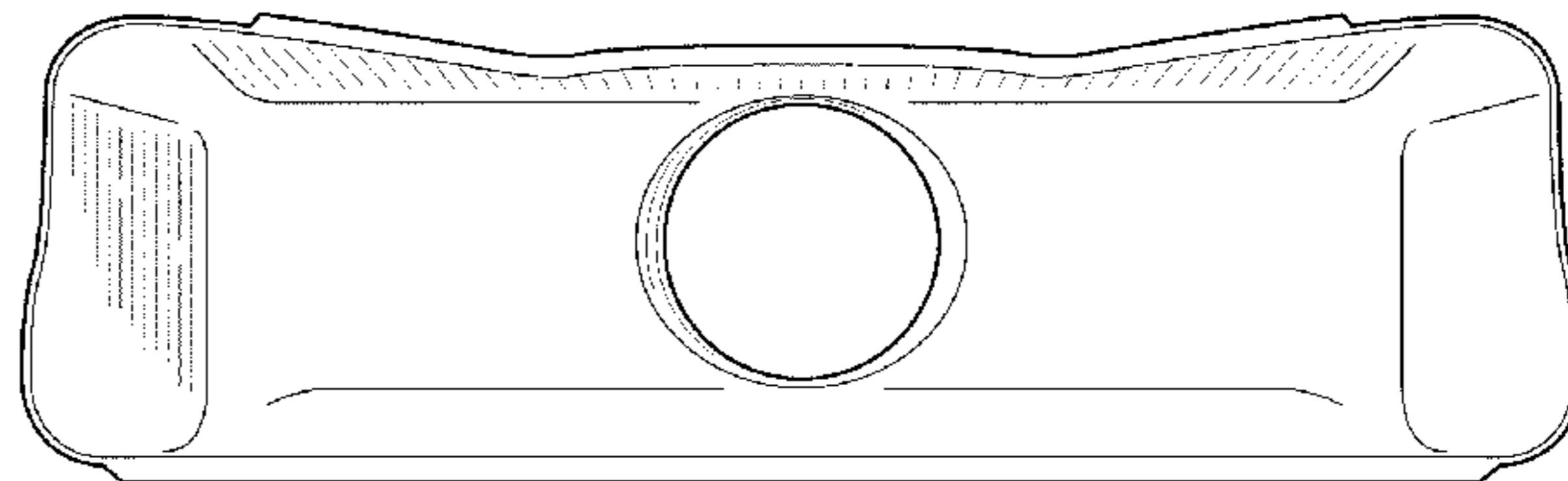
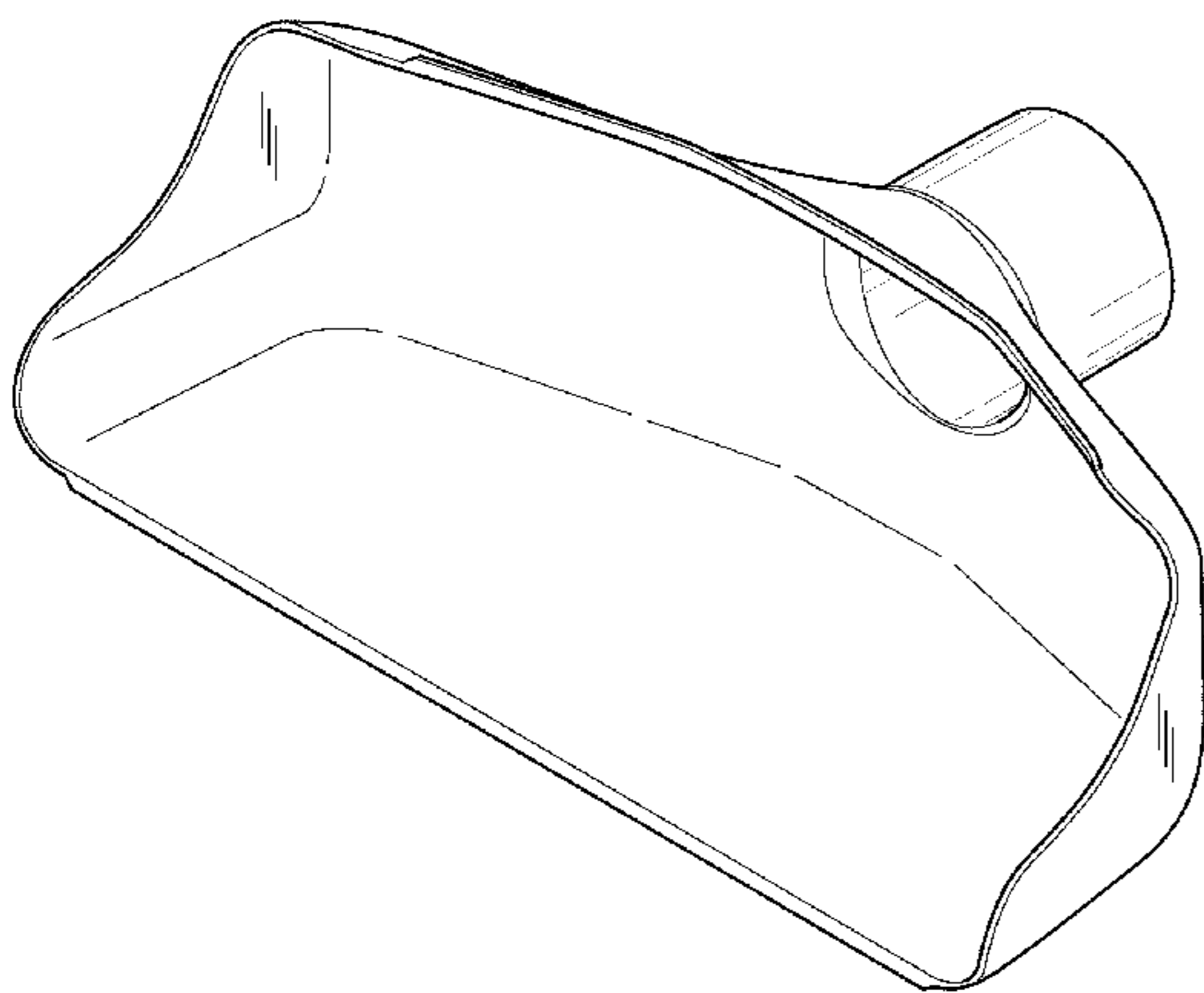
FIG. 2 is a front elevation view thereof;

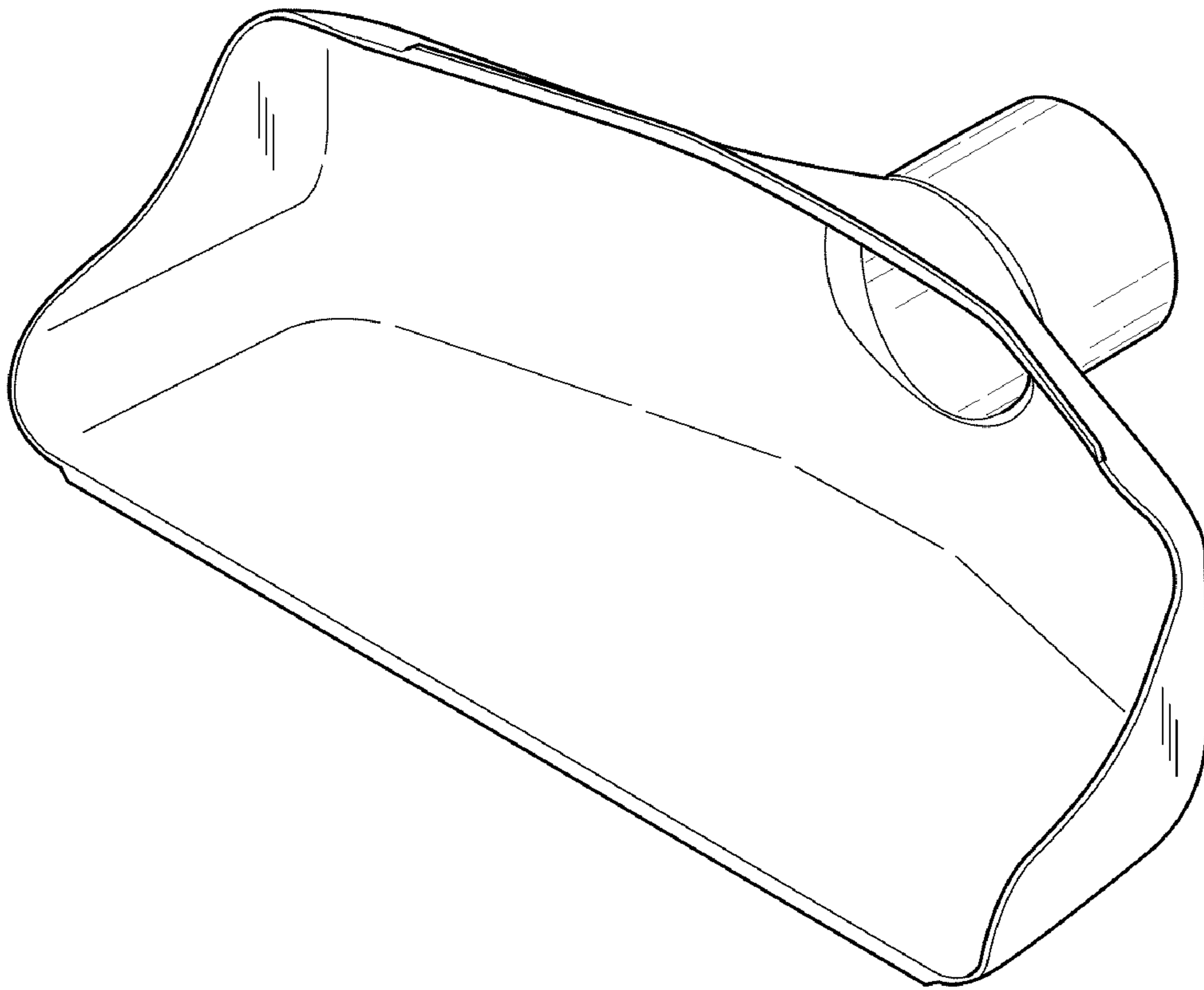
FIG. 3 is a rear elevation view thereof;

FIG. 4 is a right-side elevation view thereof; and,

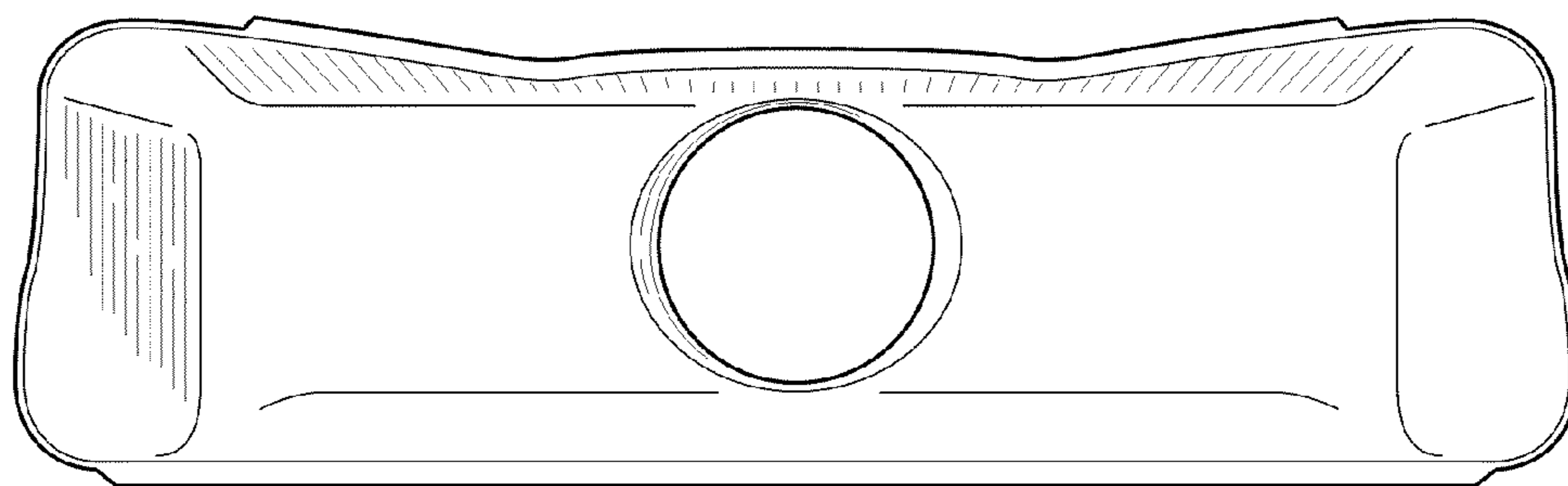
FIG. 5 is a left-side elevation view thereof.

**1 Claim, 3 Drawing Sheets**

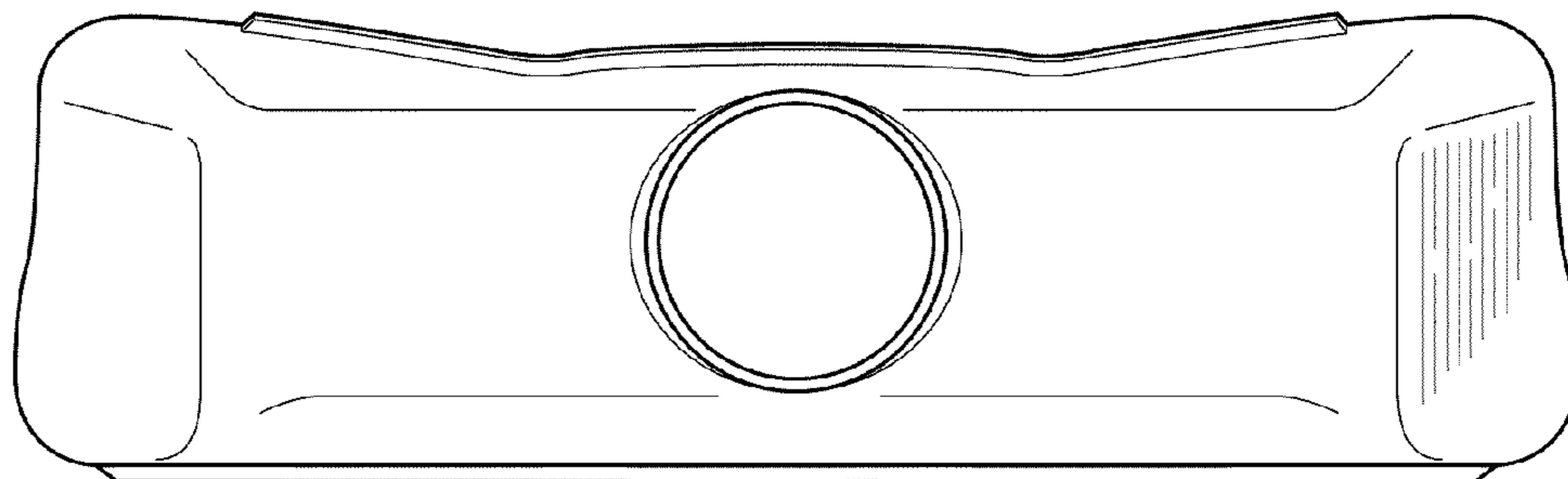




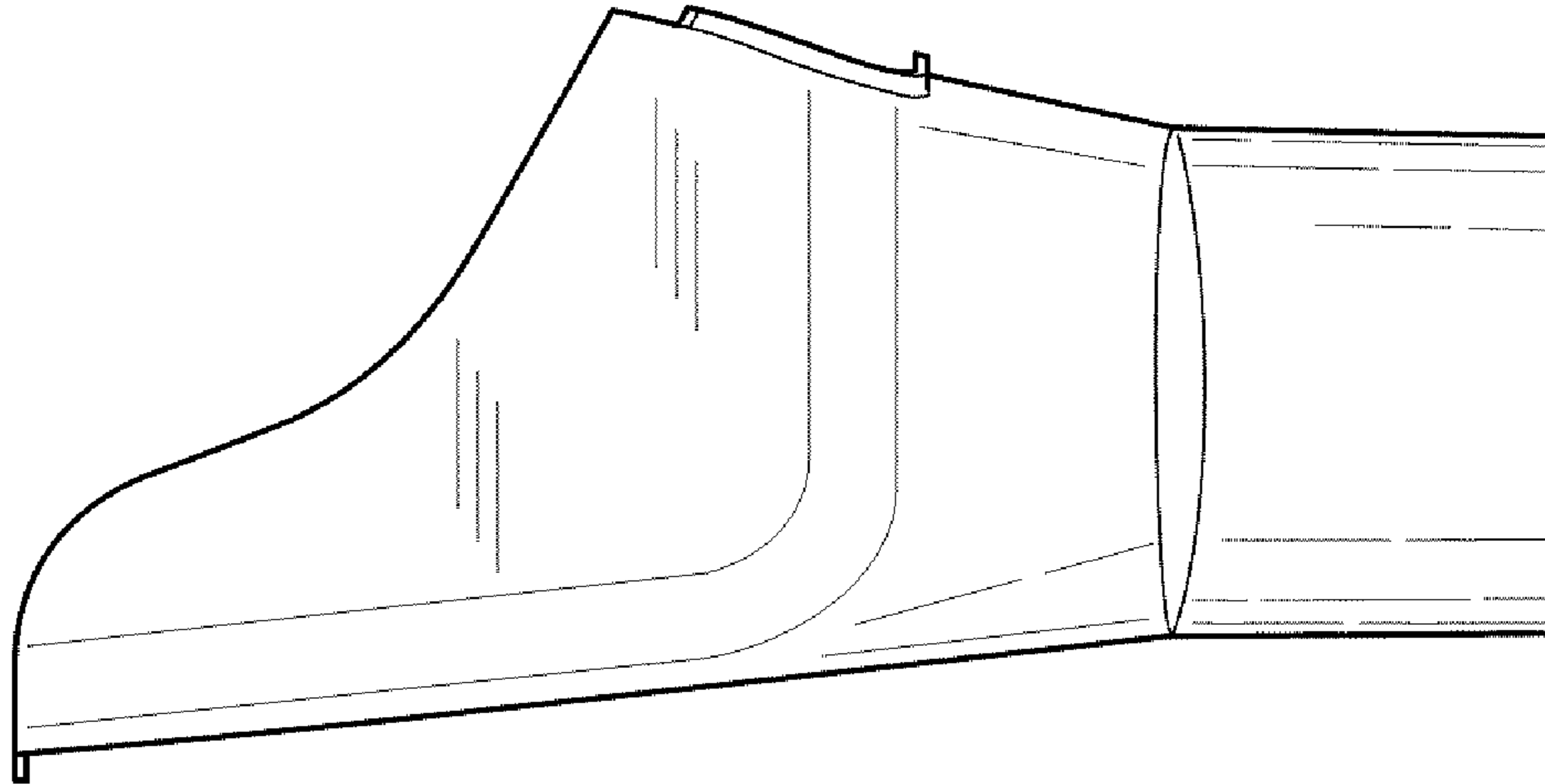
**FIG. 1**



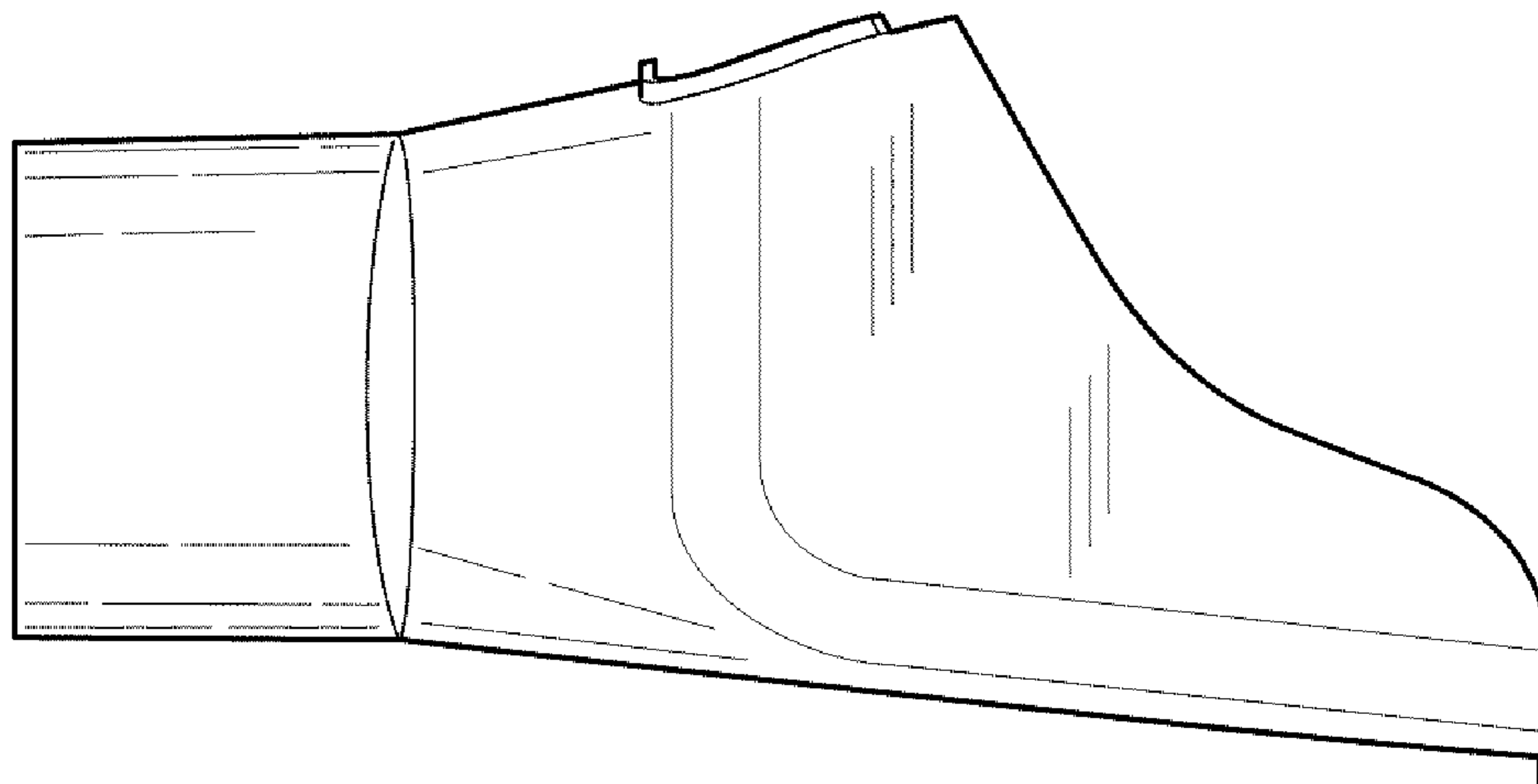
**FIG. 2**



**FIG. 3**



**FIG. 4**



**FIG. 5**