



US00D606712S

(12) **United States Design Patent**
Speed

(10) **Patent No.:** **US D606,712 S**

(45) **Date of Patent:** **** Dec. 22, 2009**

(54) **WEIGHTED ANIMAL VEST**

Primary Examiner—Susan Moon Lee

(75) **Inventor:** **Eul E. Speed**, Fort Worth, TX (US)

(73) **Assignee:** **Eul Eusan Speed**, Forth Worth, TX (US)

(**) **Term:** **14 Years**

(21) **Appl. No.:** **29/270,190**

(22) **Filed:** **Dec. 18, 2006**

(51) **LOC (9) Cl.** **30-01**

(52) **U.S. Cl.** **D30/145**

(58) **Field of Classification Search** D30/144,
D30/145, 161, 169, 199; 119/850, 863, 856-858,
119/174, 792, 907; 224/42.11, 241, 582,
224/505; 54/44.1; D3/231; 441/127, 115,
441/55, 80, 136, 88, 106, 108

See application file for complete search history.

(56) **References Cited**

U.S. PATENT DOCUMENTS

4,385,592	A *	5/1983	Goldstein	602/18
5,632,235	A *	5/1997	Larsen et al.	119/856
5,887,772	A *	3/1999	Dooley	224/191
5,941,199	A *	8/1999	Tamura	119/850
D429,390	S *	8/2000	Grady et al.	D30/152
D429,391	S *	8/2000	Grady et al.	D30/152
D459,842	S *	7/2002	Kaplan	D30/145

FOREIGN PATENT DOCUMENTS

FR 2883451 A1 * 9/2006

* cited by examiner

(57) **CLAIM**

The ornamental design for the weighted animal vest, as shown and described.

DESCRIPTION

FIG. 1 is an isometric view of the weighted animal vest shown unassembled;

FIG. 2 is a top plan view of the weighted animal vest shown unassembled;

FIG. 3 is a bottom plan view of the weighted animal vest shown unassembled;

FIG. 4 is a front elevational view of the weighted animal vest shown assembled;

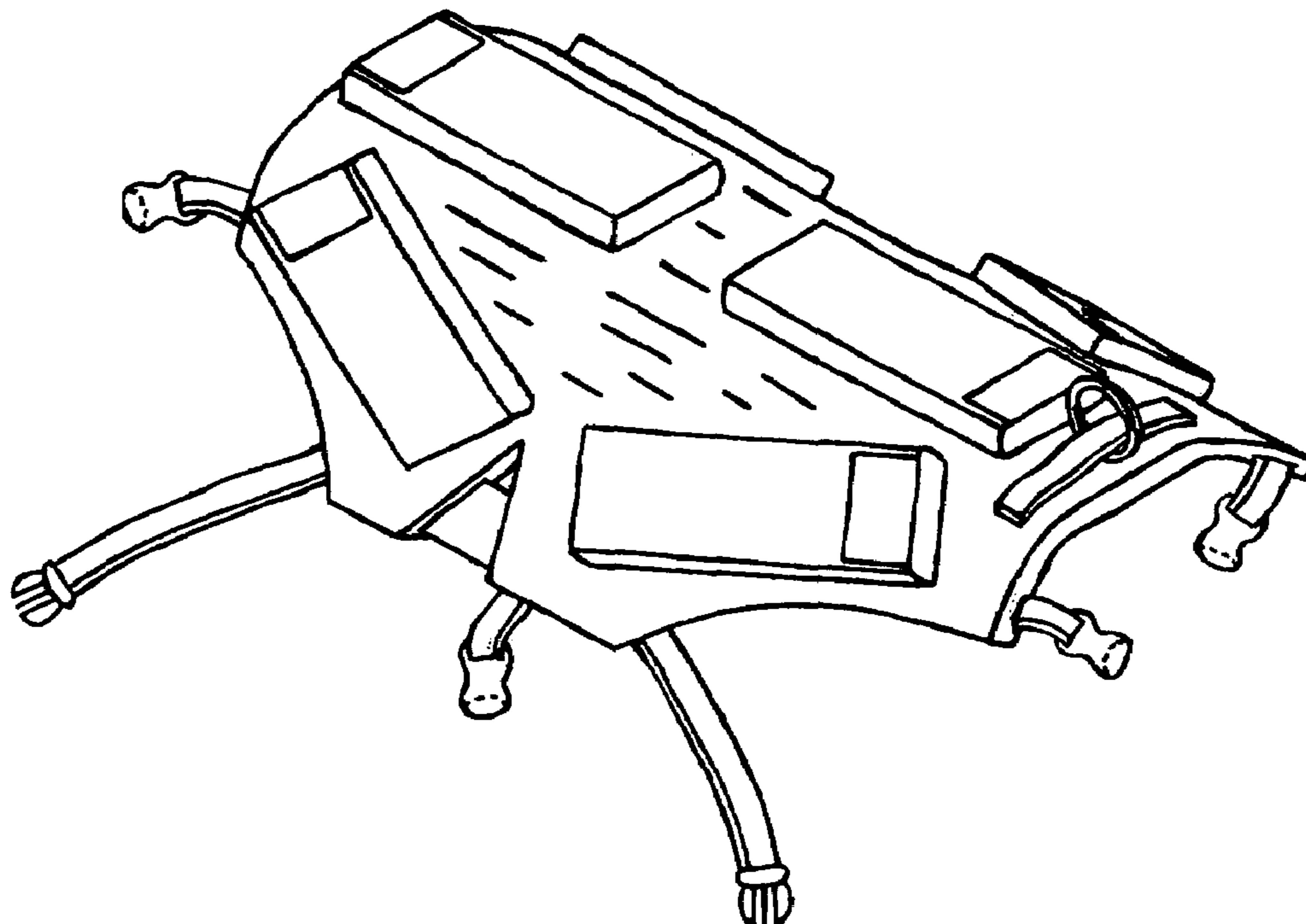
FIG. 5 is a rear elevational view of the weighted animal vest shown assembled;

FIG. 6 is a left side elevational view of the weighted animal vest shown unassembled; and,

FIG. 7 is a right side elevational view of the weighted animal vest shown unassembled.

The broken line elements are not claimed.

1 Claim, 7 Drawing Sheets



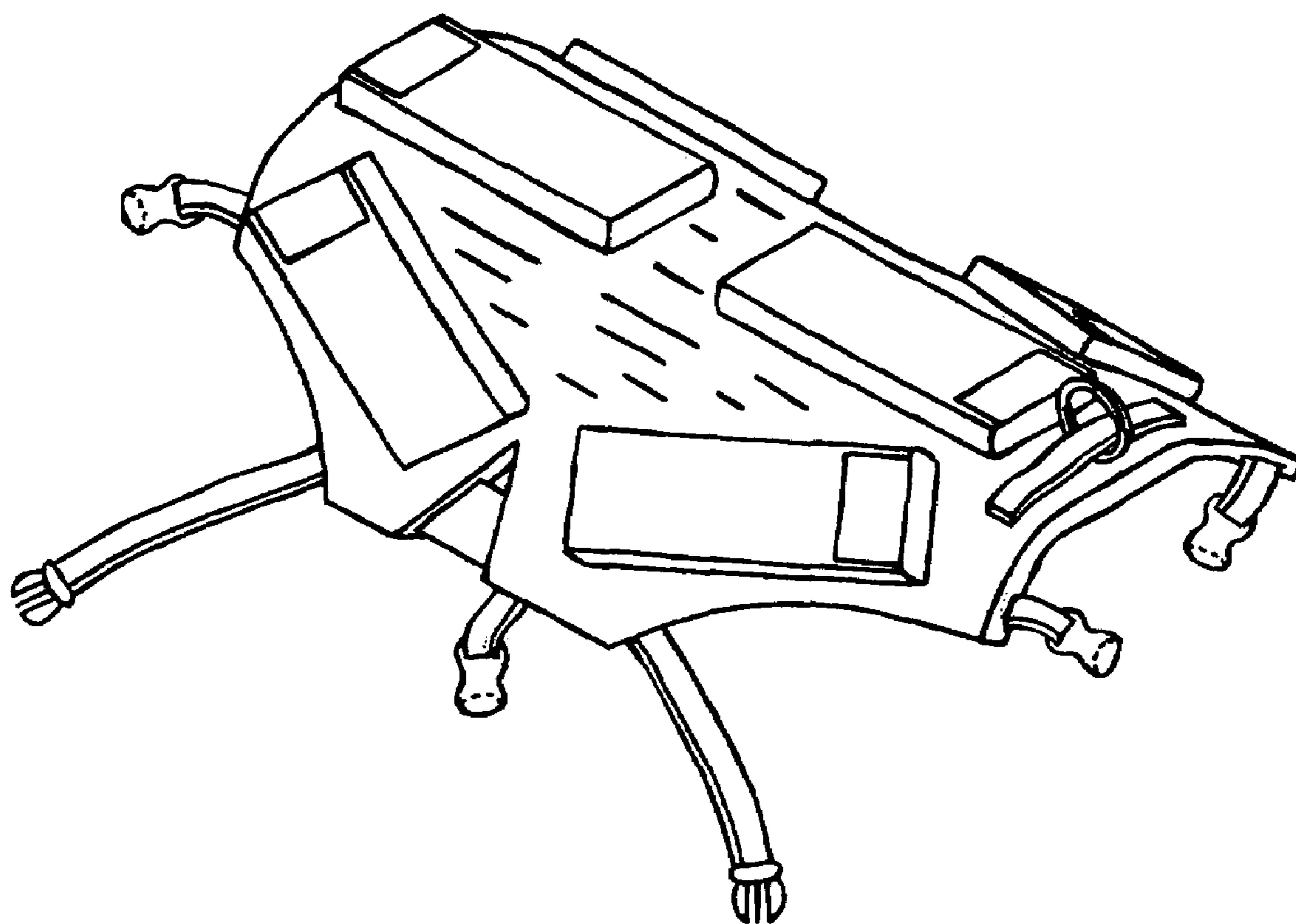


FIG. 1

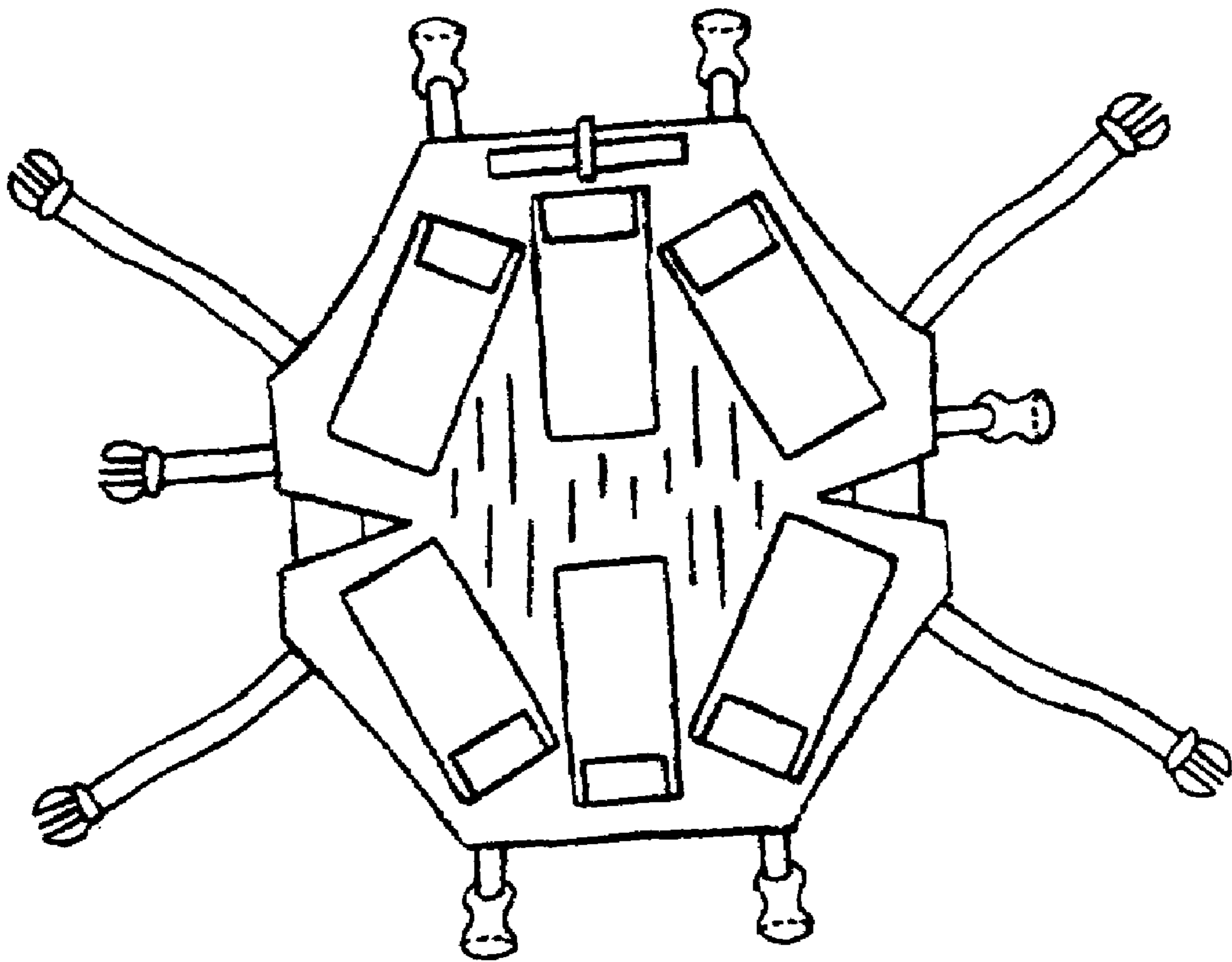


FIG. 2

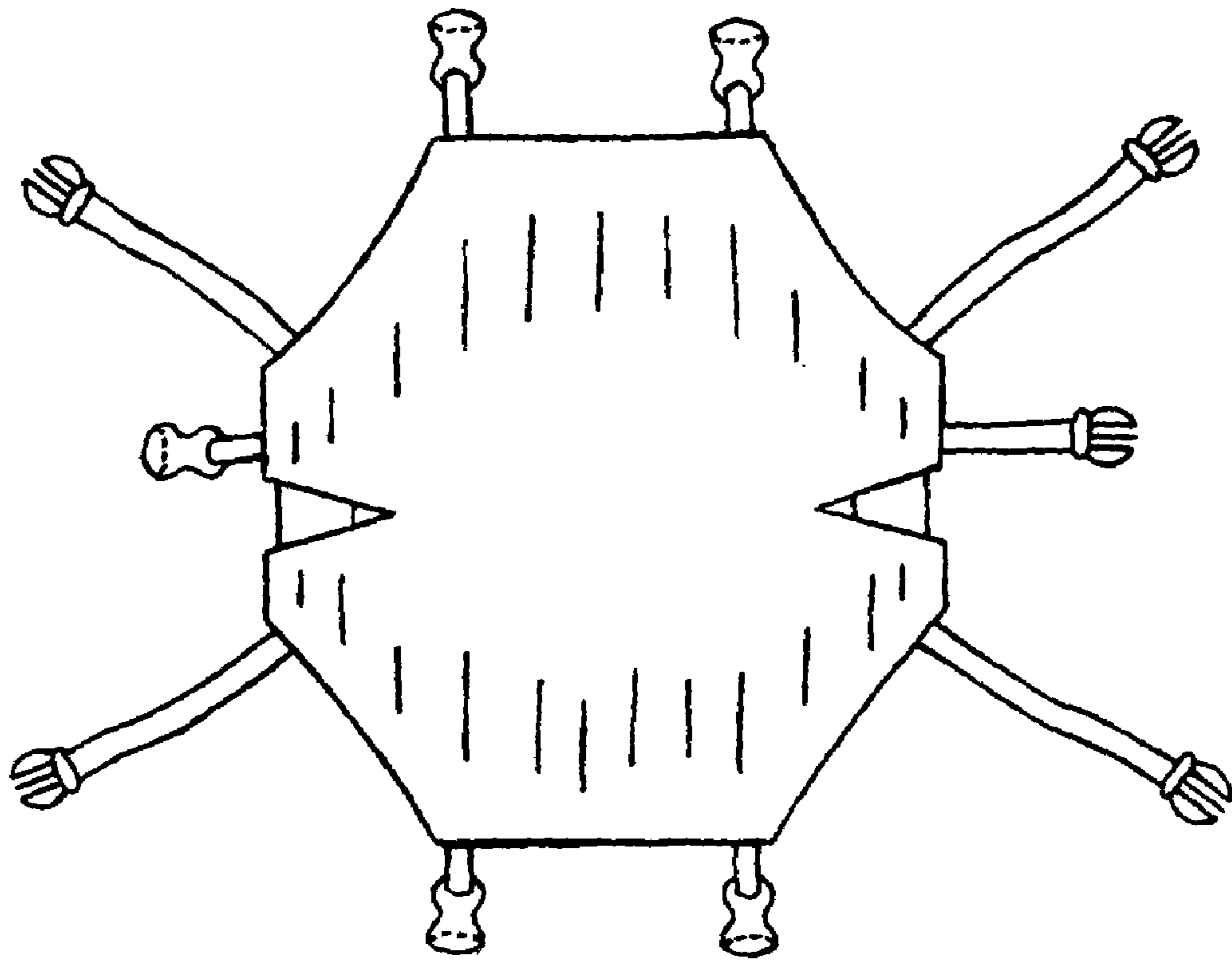


FIG. 3

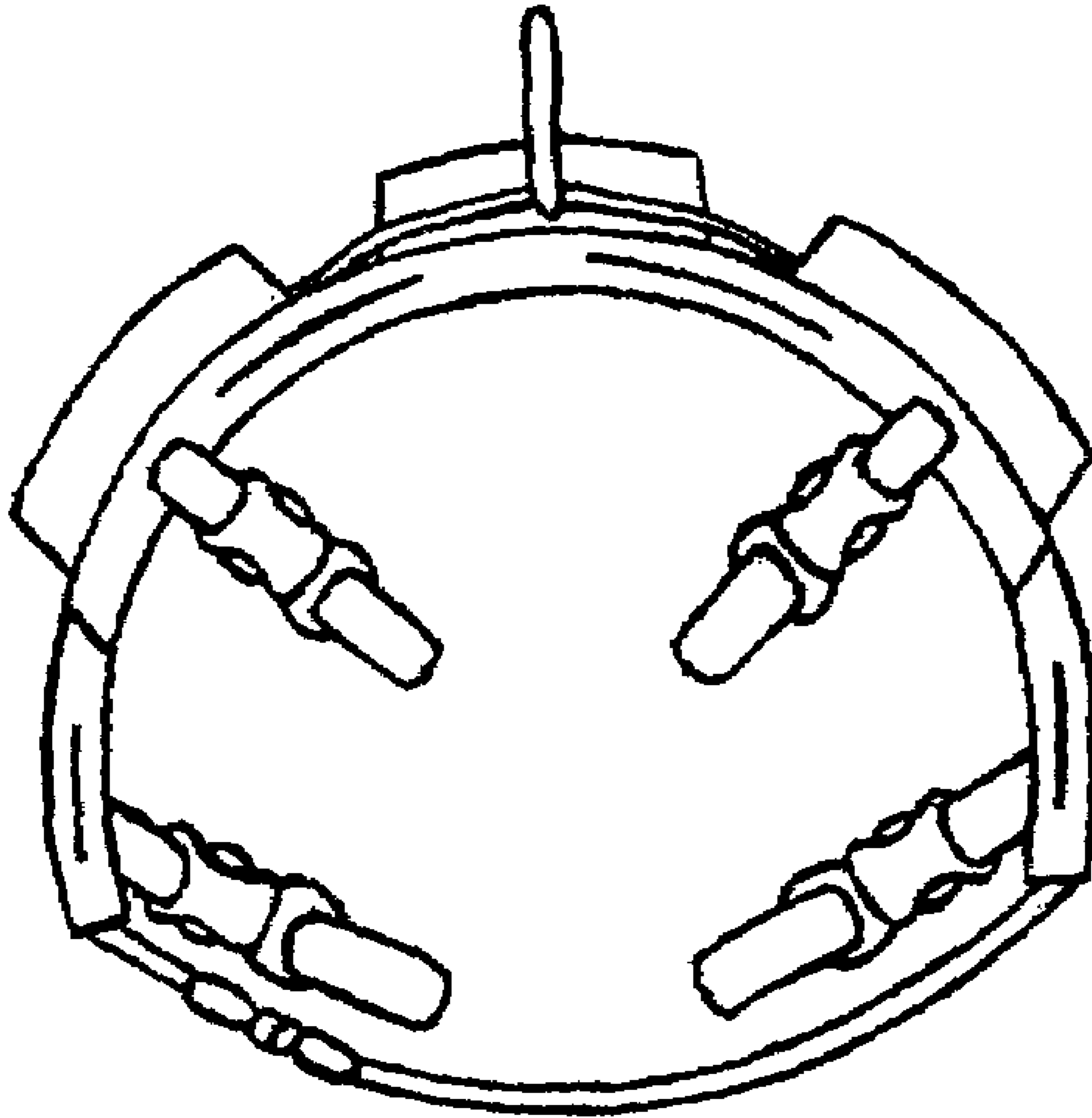


FIG. 4

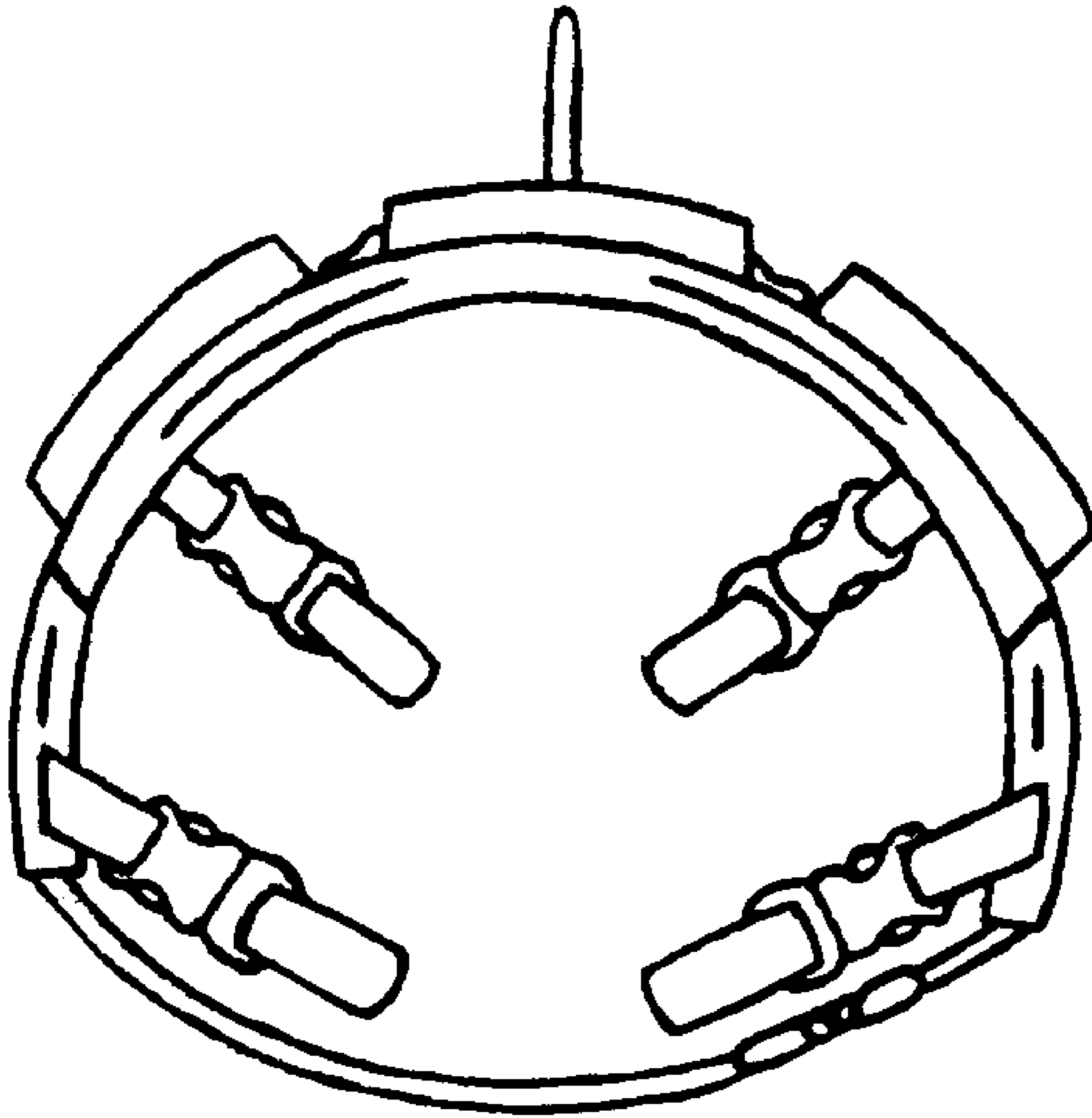


FIG. 5

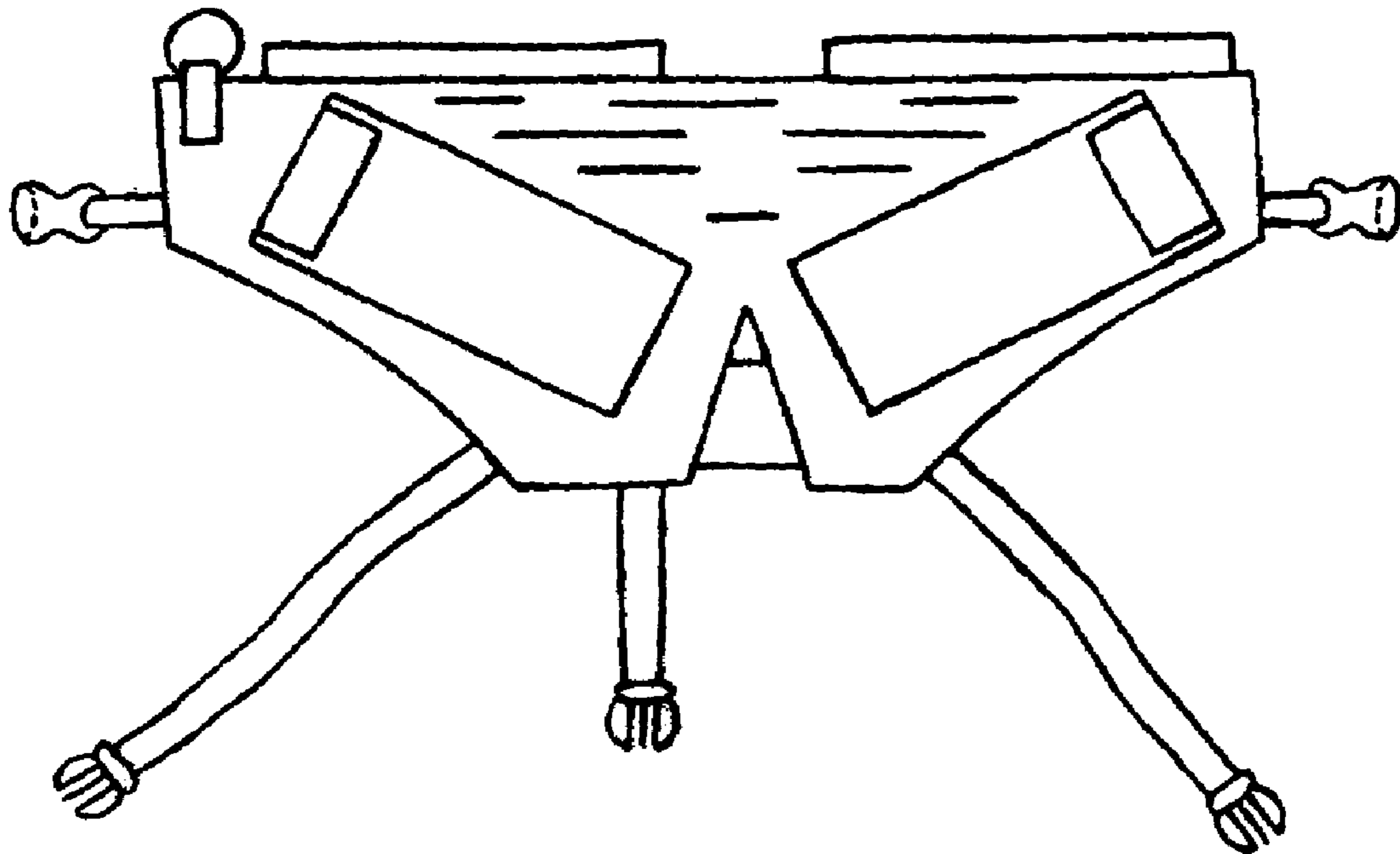


FIG. 6

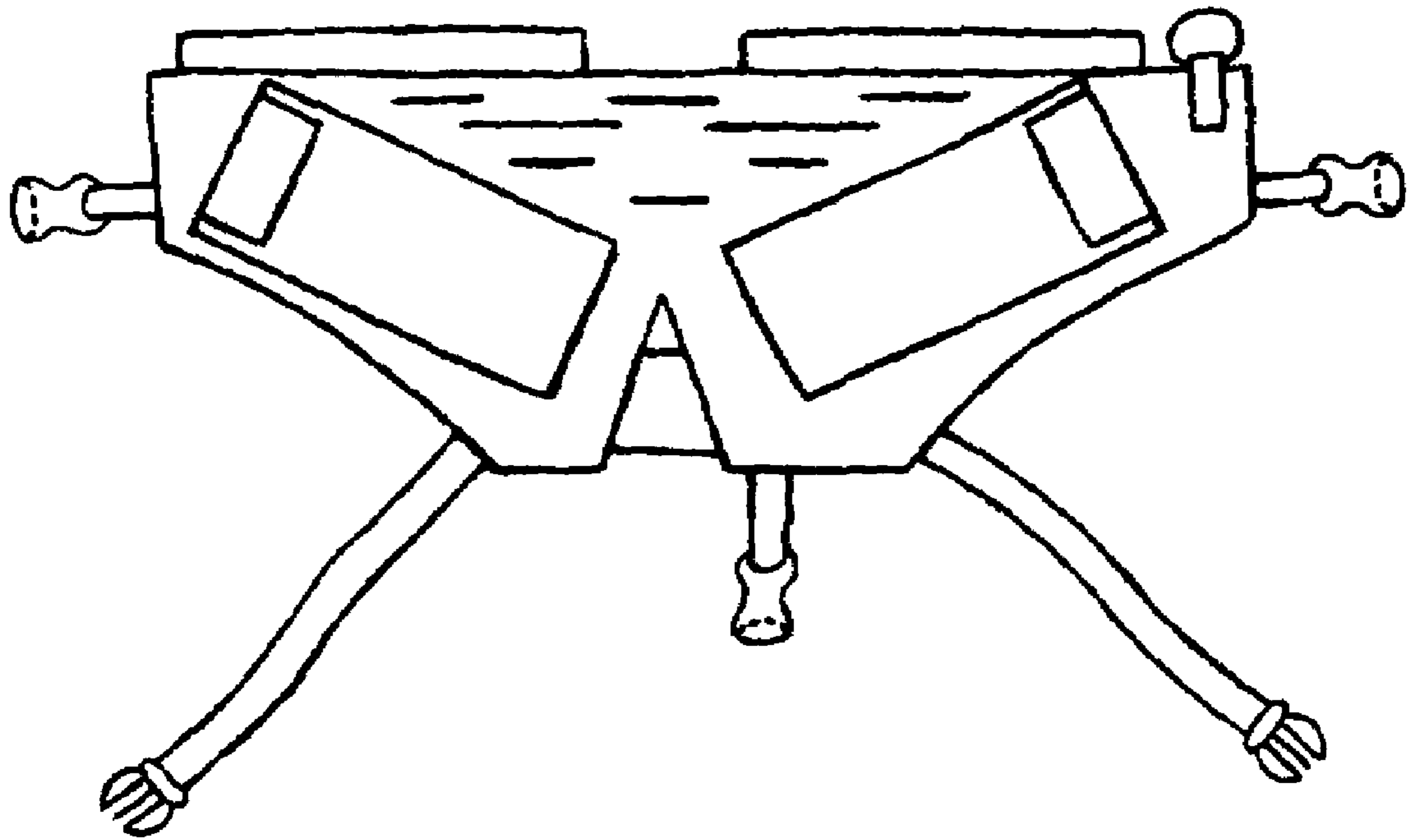


FIG. 7