

US00D606711S

(12) **United States Design Patent**
Becattini, Jr. et al.

(10) **Patent No.:** **US D606,711 S**
(45) **Date of Patent:** **** Dec. 22, 2009**

(54) **PET FEEDING SYSTEM**

(75) Inventors: **Fernando Becattini, Jr.**, Malvern, PA (US); **Fernando Becattini, Sr.**, Devon, PA (US); **Steve Arthur Copeland**, Barrie (CA); **Jay Richard Sobel**, Toronto (CA)

(73) Assignee: **TowerStar Pets, LLC**, Malvern, PA (US)

(**) Term: **14 Years**

(21) Appl. No.: **29/312,240**

(22) Filed: **Oct. 7, 2008**

(51) **LOC (9) Cl.** **30-03**

(52) **U.S. Cl.** **D30/133; D30/131; D30/130**

(58) **Field of Classification Search** D30/133, D30/121, 128, 130, 132; 119/52.1, 55, 61.5-61.56; D6/480-485; 248/188; 312/204; 108/153.1-157
See application file for complete search history.

(56) **References Cited**

U.S. PATENT DOCUMENTS

1,114,264 A	10/1914	Hoyle	
1,803,413 A	5/1931	Trites	
1,874,141 A	8/1932	Sueper	
D89,262 S *	2/1933	Nunimaker	D30/130
D105,450 S *	7/1937	Clifton	D30/130
2,555,396 A	6/1951	Cosner	
2,586,979 A	2/1952	Myers	
2,659,345 A *	11/1953	Herbert	119/28.5
2,845,896 A	8/1958	Copeland	
3,599,608 A	8/1971	Esquival	
3,651,787 A *	3/1972	Cooper	119/51.01
3,730,141 A	5/1973	Manning et al.	
D229,073 S	11/1973	Brickel	
D237,787 S *	11/1975	Weyrich	D34/24
3,924,573 A	12/1975	Thomas et al.	
4,029,051 A	6/1977	McKinney	

4,192,256 A	3/1980	Clugston	
D257,692 S	12/1980	Thayer	
D259,669 S	6/1981	Peterson	
D267,901 S *	2/1983	Johnstonbaugh	D27/135

(Continued)

OTHER PUBLICATIONS

“The Marchiori Feeding Kiosk for Pets,” <http://www.catsplay.com/bci57068.php3>, Jul. 2009.

(Continued)

Primary Examiner—Susan Moon Lee

(74) *Attorney, Agent, or Firm*—RatnerPrestia

(57) **CLAIM**

The ornamental design for a pet feeding system, as shown and described.

DESCRIPTION

FIG. 1 is a perspective view of the pet feeding system according to a first embodiment of the present invention.

FIG. 2 is a front view of the pet feeding system illustrated in FIG. 1.

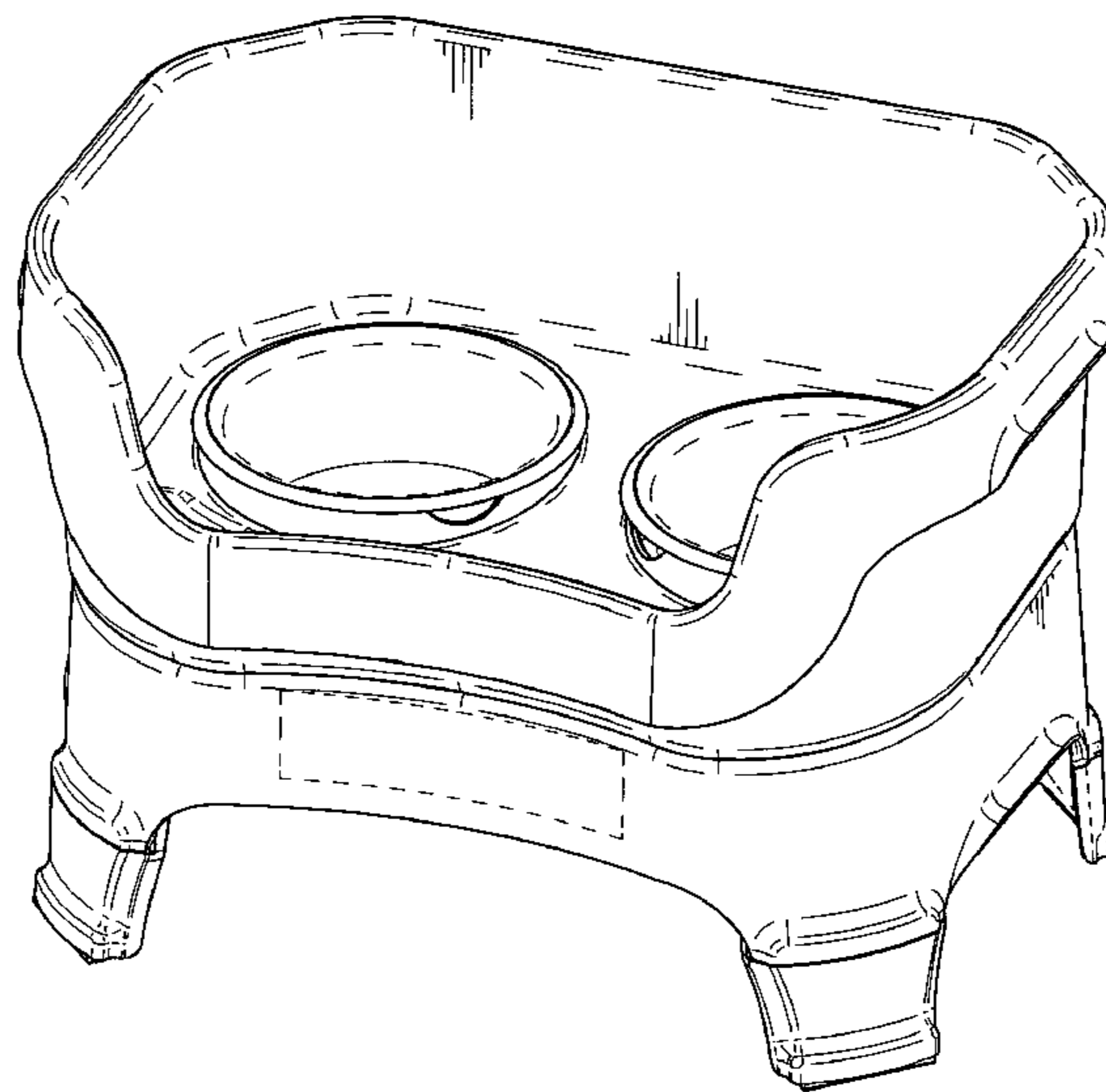
FIG. 3 is a rear view of the pet feeding system illustrated in FIG. 1.

FIG. 4 is a side view of the pet feeding system illustrated in FIG. 1, as viewed from the left side of FIG. 2, the other side being a mirror image thereof; and,

FIG. 5 is a top plan view of the pet feeding system illustrated in FIG. 1, in which the circular forms drawn inside of the lower interior bowl compartment depict openings.

The only unclaimed portion of the pet feeding system is the elongated rectangular form depicted in unclaimed broken line on the front of the lower base of the invention visible in FIGS. 1 and 2. All other incontiguous lines are employed to depict contours of the invention.

1 Claim, 5 Drawing Sheets



US D606,711 S

Page 2

U.S. PATENT DOCUMENTS

D270,672 S	9/1983	Zelinger	
4,428,325 A	1/1984	Koch	
4,532,891 A	8/1985	Jones	
D289,808 S	5/1987	Gardner	
4,699,089 A	10/1987	Teschke	
4,886,016 A	12/1989	Atchley	
4,907,539 A	3/1990	Abulhasan	
4,940,019 A	7/1990	Coffer	
4,947,796 A	8/1990	Robinette	
5,000,122 A	3/1991	Smith	
5,133,291 A	7/1992	Justice	
5,152,247 A	10/1992	Brown	
5,158,040 A	10/1992	Martin	
D335,007 S *	4/1993	McPhee	D30/133
5,224,443 A	7/1993	Leslie	
5,445,110 A	8/1995	Birnie	
5,492,083 A	2/1996	Holladay	
5,499,609 A	3/1996	Evans	
D374,109 S	9/1996	Lillelund et al.	
5,551,371 A	9/1996	Markey et al.	
D374,513 S *	10/1996	Melvin	D30/121
5,560,316 A	10/1996	Lillelund et al.	
D377,244 S *	1/1997	Steininger	D30/133
D385,068 S *	10/1997	Malcolm	D30/130
5,730,081 A *	3/1998	Tsengas	119/51.5
5,765,505 A	6/1998	Yun	
5,794,565 A	8/1998	Beshah	
5,881,670 A	3/1999	Pelsor	
D410,780 S *	6/1999	McGinty	D30/124
D412,377 S *	7/1999	Sharon	D30/130
6,055,934 A	5/2000	Burns et al.	
6,089,187 A	7/2000	Gaspary	
6,142,099 A	11/2000	Lange, Jr.	
6,209,487 B1	4/2001	Quinlan et al.	
6,405,673 B1	6/2002	Allender	
6,467,428 B1	10/2002	Andristin et al.	
D477,691 S *	7/2003	Crowley	D30/131
6,789,504 B1	9/2004	O'Neil	
7,152,550 B2	12/2006	Walker	
D551,400 S *	9/2007	Tsengas	D30/133
D592,814 S *	5/2009	Uffner et al.	D30/133
2003/0037732 A1	2/2003	Quinlan et al.	
2004/0144330 A1	7/2004	Marchioro	
2005/0115508 A1 *	6/2005	Little	119/61.5
2005/0211184 A1	9/2005	Tominaga et al.	
2008/0190372 A1 *	8/2008	Horvath	119/61.56
2008/0196668 A1 *	8/2008	Clark	119/51.5

OTHER PUBLICATIONS

International Search Report dated May 27, 2009, application No. PCT/US2009/039075.

International Search Report dated Mar. 10, 2009, application No. PCT/US09/31431.

* cited by examiner

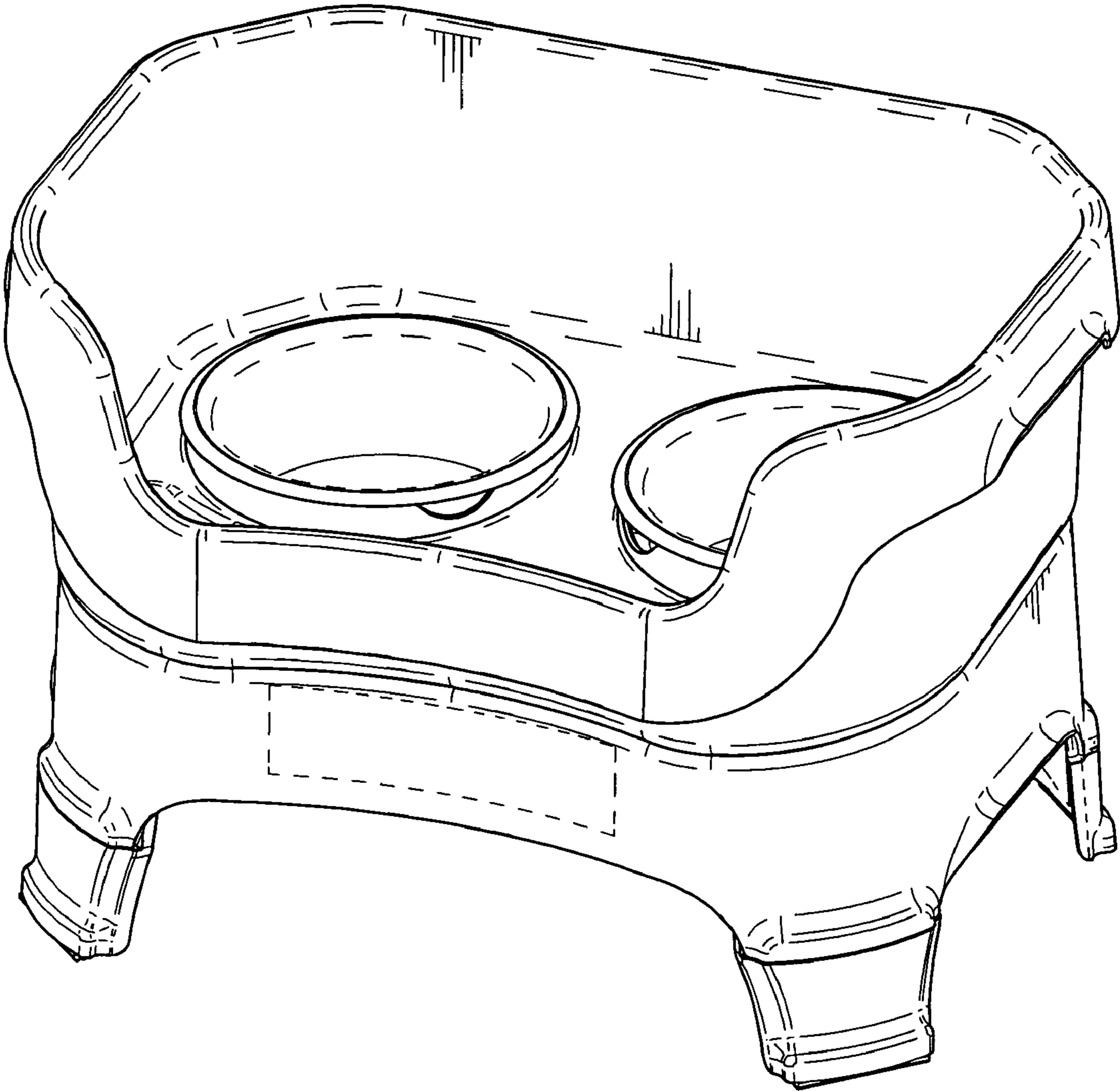


FIG. 1

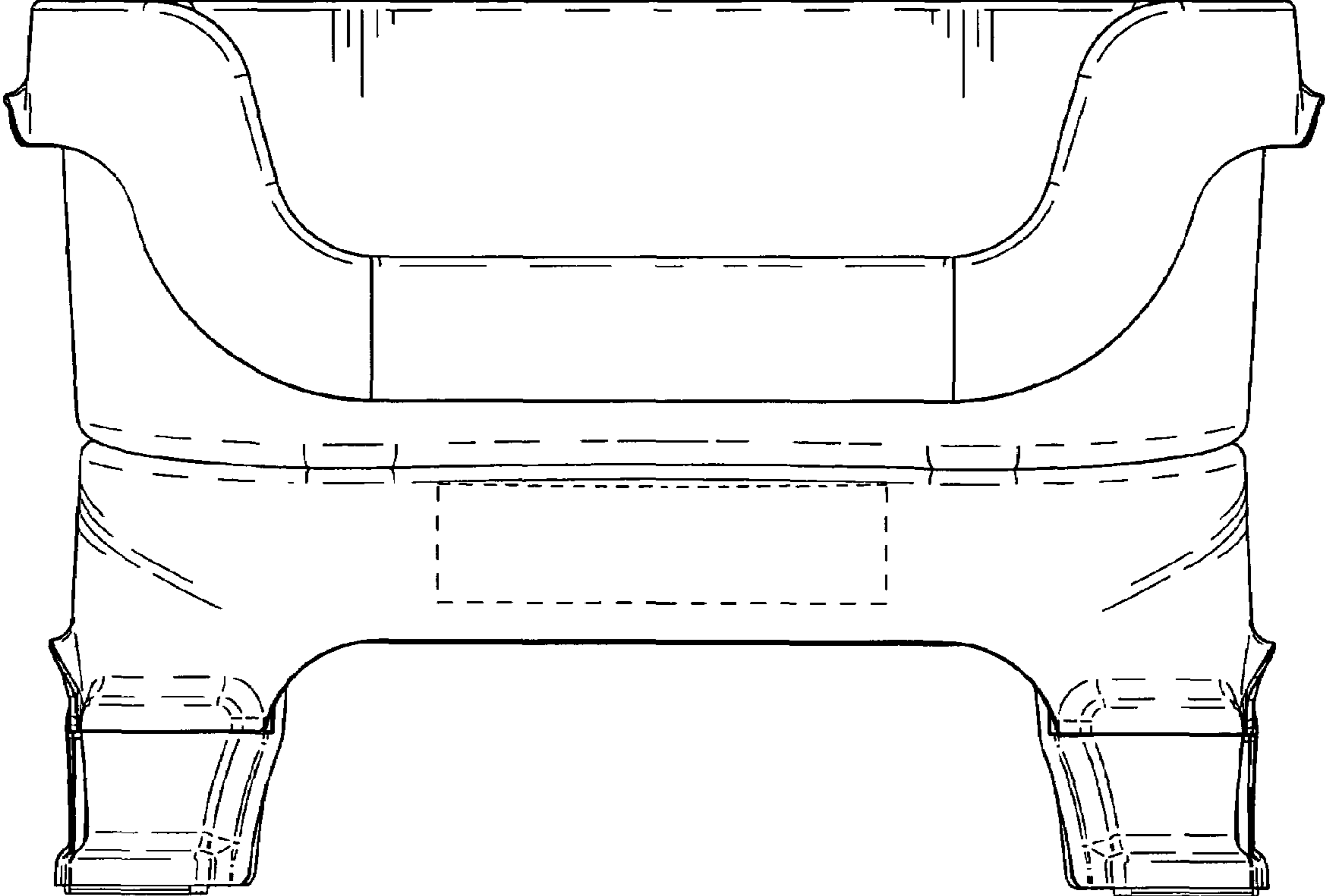


FIG. 2

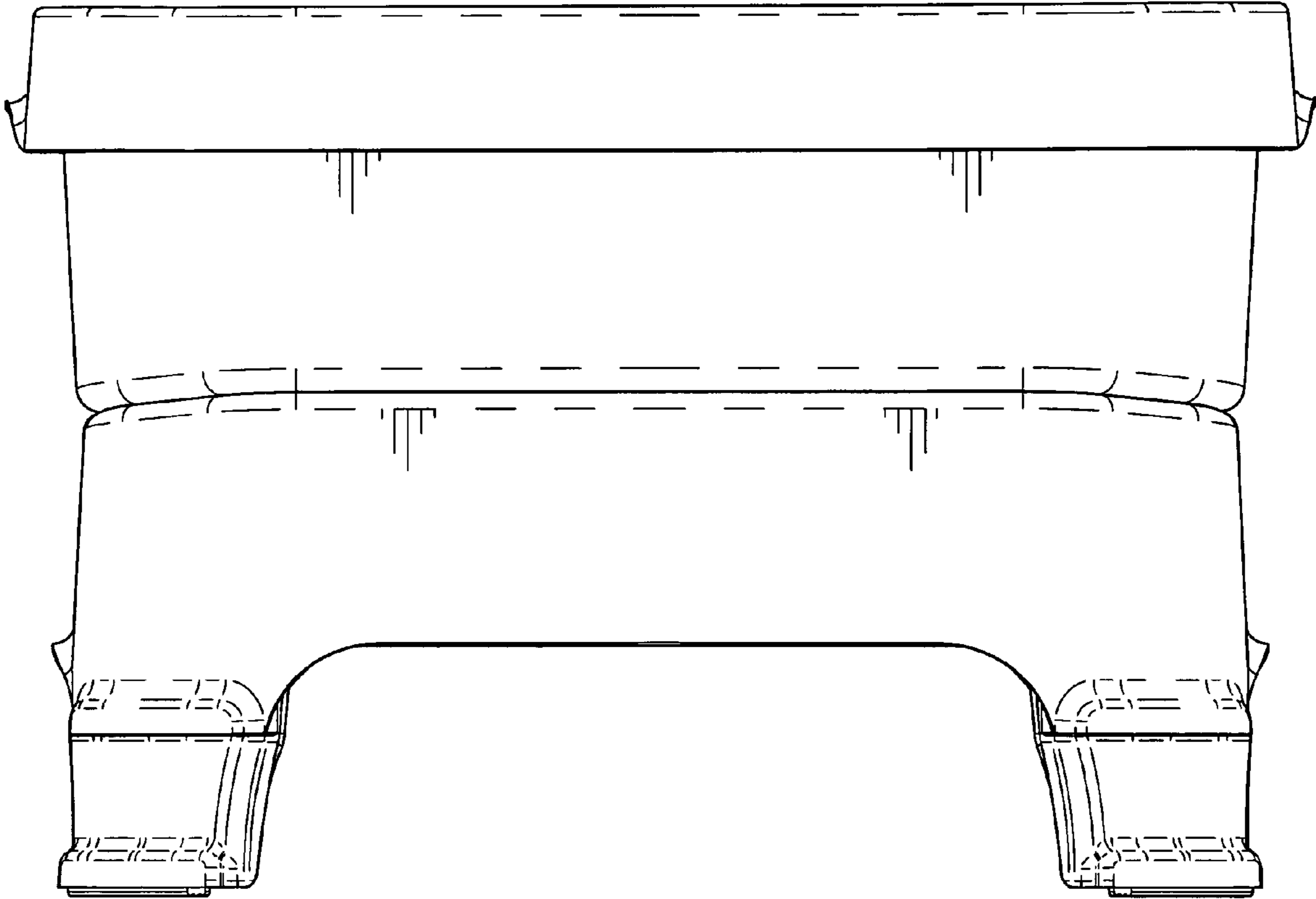


FIG. 3

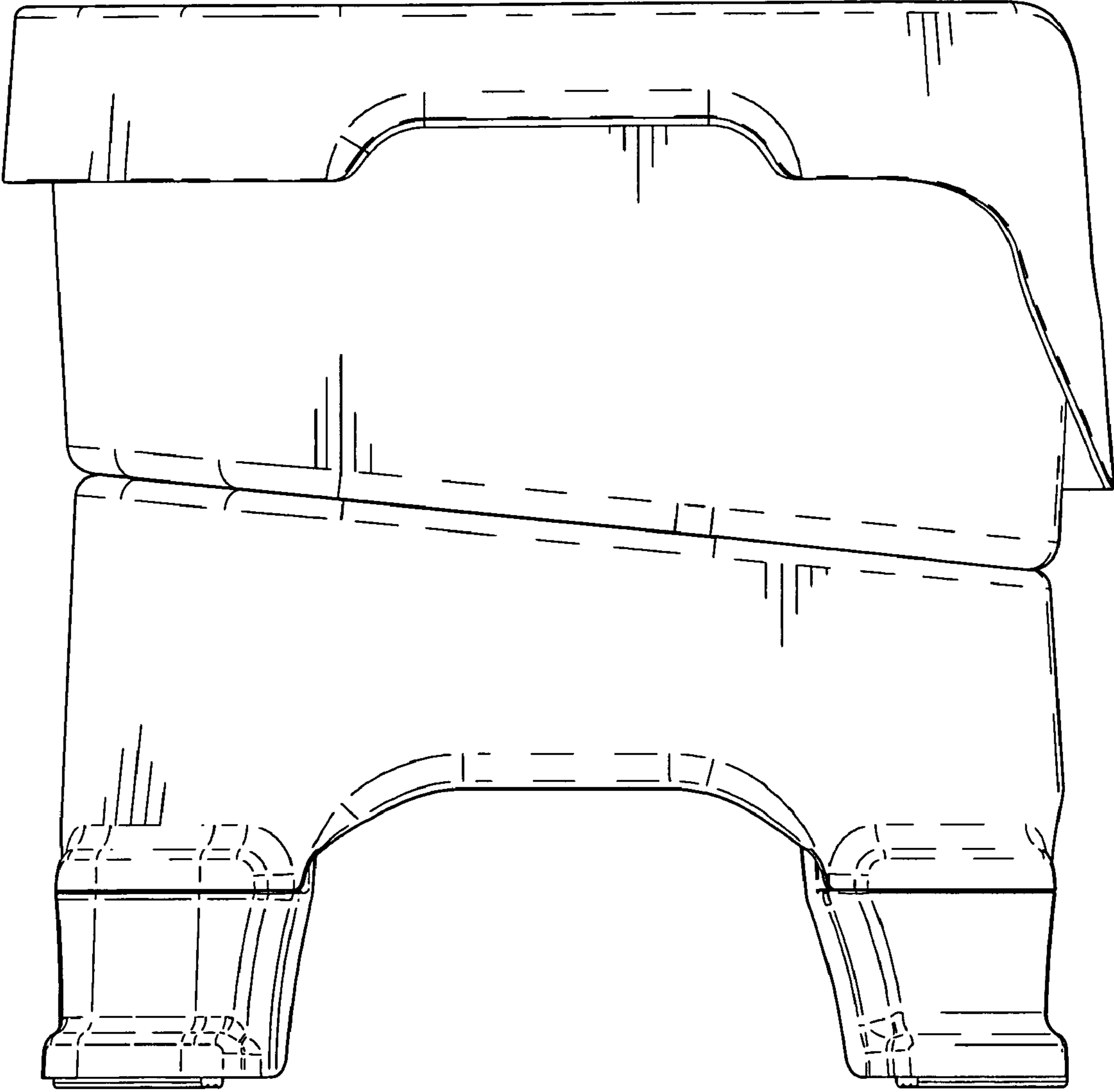


FIG. 4

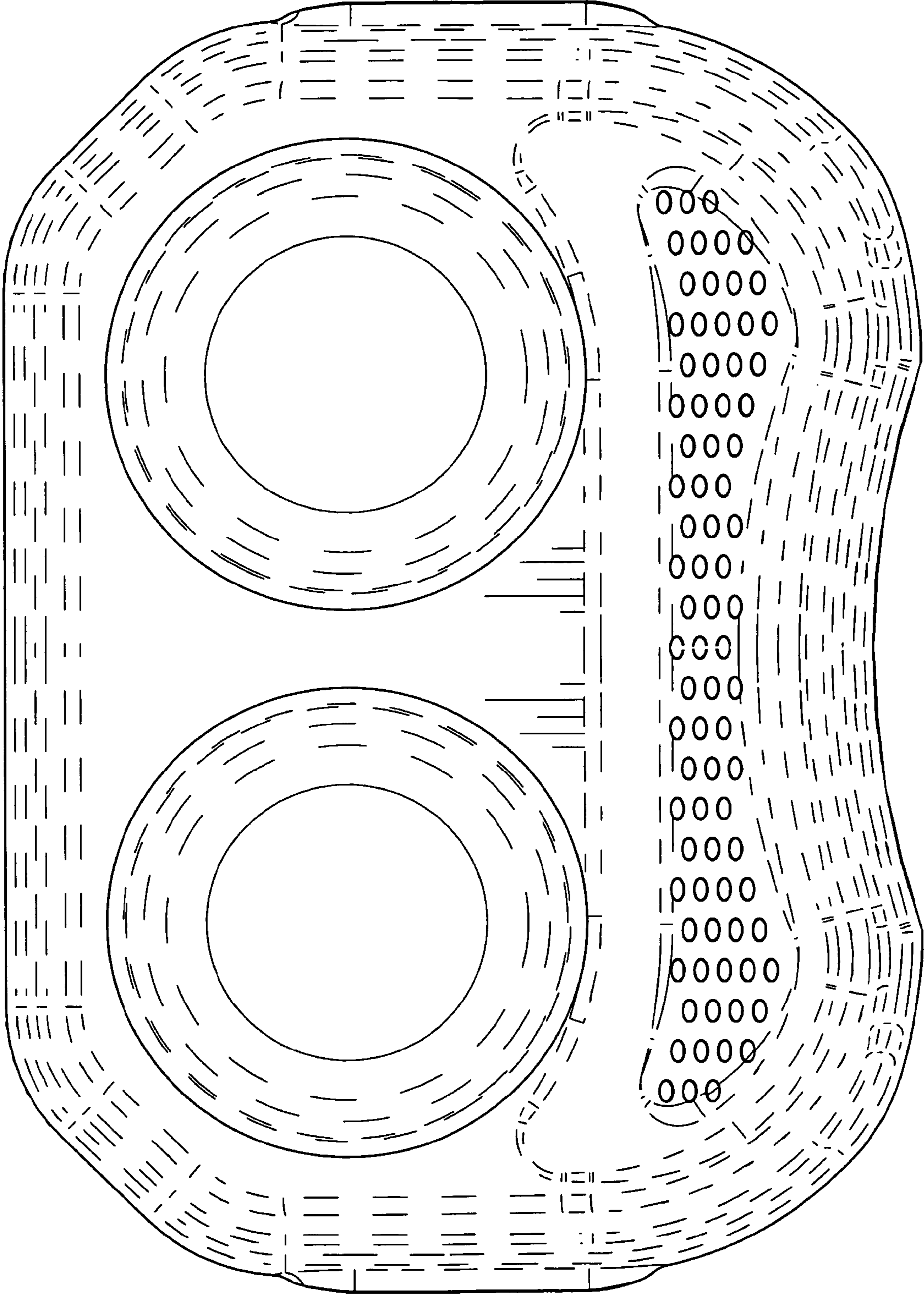


FIG. 5