

US00D606706S

(12) **United States Design Patent**
Chodorow et al.

(10) **Patent No.:** **US D606,706 S**

(45) **Date of Patent:** **** Dec. 22, 2009**

(54) **DENTAL FLOSSER**

(75) Inventors: **Ingram S. Chodorow**, Rancho Santa Fe, CA (US); **Scott D. Salmon**, Tenafly, NJ (US)

(73) Assignee: **Ranir LLC**, Grand Rapids, MI (US)

(**) Term: **14 Years**

(21) Appl. No.: **29/270,485**

(22) Filed: **Dec. 22, 2006**

(51) **LOC (9) Cl.** **28-03**

(52) **U.S. Cl.** **D28/65**

(58) **Field of Classification Search** D28/31,
D28/56, 65-68, 73; D24/152; 433/141,
433/146-147; 132/322-329

See application file for complete search history.

(56) **References Cited**

U.S. PATENT DOCUMENTS

D227,896 S *	7/1973	Chodorow	D28/68
D241,849 S *	10/1976	Thomas	D28/68
4,006,750 A	2/1977	Chodorow		
D244,376 S	5/1977	Chodorow		
D244,609 S	6/1977	Chodorow		
4,050,470 A *	9/1977	Miller	132/323
D250,214 S	11/1978	Chodorow		
D274,375 S *	6/1984	Tomlin	D28/65
4,638,824 A *	1/1987	De La Hoz	132/323
D301,071 S	5/1989	Franchi		
4,852,728 A *	8/1989	Court	206/63.5
D316,617 S *	4/1991	Cheung	D28/68
D323,722 S *	2/1992	Lott	D28/68
D348,332 S *	6/1994	Haggett-King et al.	D28/68
D358,001 S *	5/1995	Ramsey	D28/68

5,435,330 A *	7/1995	Dix	132/323
5,454,386 A *	10/1995	Dix	132/323
D382,367 S *	8/1997	Andrade et al.	D28/65
5,692,531 A	12/1997	Chodorow		
D398,076 S *	9/1998	Hafkin	D28/65
D401,701 S	11/1998	Chodorow		
5,829,458 A	11/1998	Chodorow		
D406,395 S *	3/1999	Marin	D28/66
D410,115 S	5/1999	Chodorow		
6,065,479 A	5/2000	Chodorow		
D484,643 S *	12/2003	Nanda	D28/68
D489,490 S	5/2004	Chodorow		
D531,758 S *	11/2006	Jansheski et al.	D28/68

* cited by examiner

Primary Examiner—Janice E Seeger

Assistant Examiner—Zenia I Bennett

(74) *Attorney, Agent, or Firm*—Abelman, Frayne & Schwab

(57) **CLAIM**

The ornamental design for a dental flosser, as shown and described.

DESCRIPTION

FIG. 1 is a top perspective view showing of my new dental flosser,

FIG. 2 is a bottom perspective thereof,

FIG. 3 is a top plan view thereof,

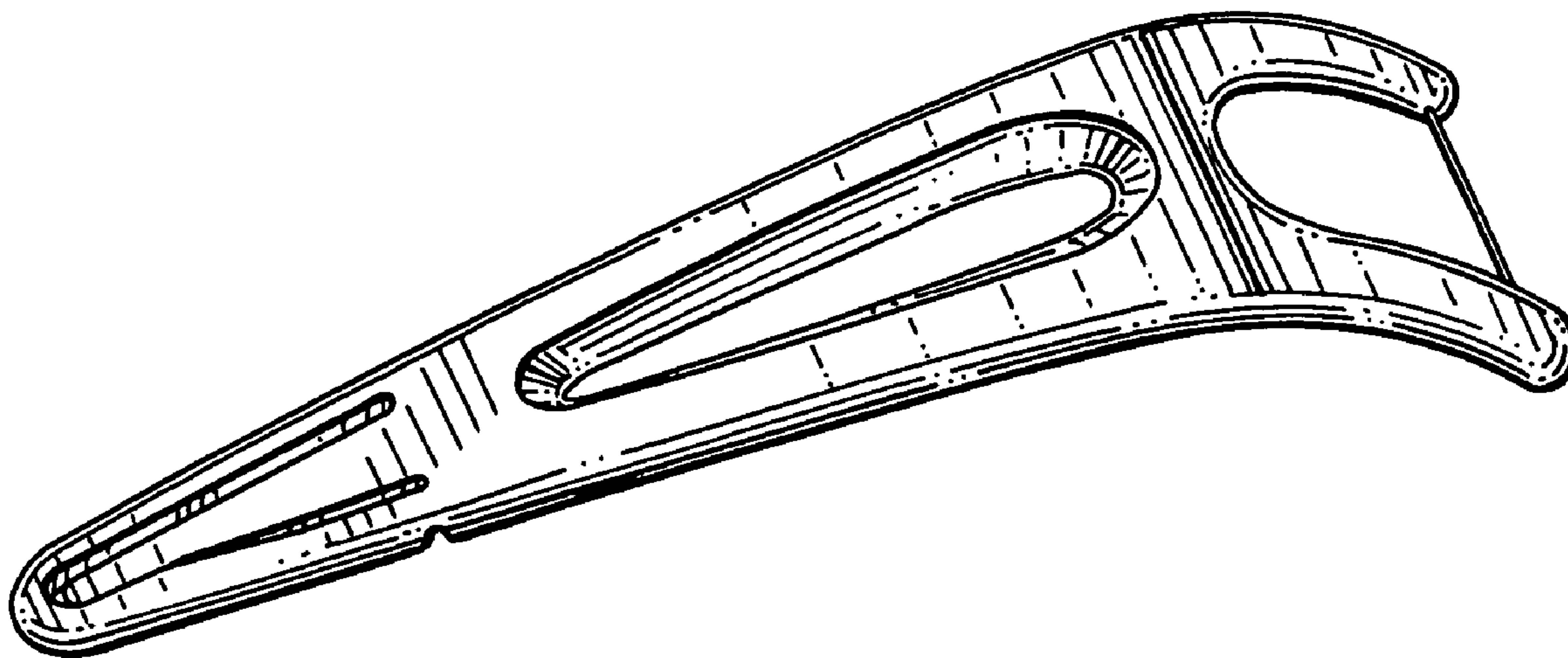
FIG. 4 is a bottom plan view thereof,

FIG. 5 is a right side elevation view thereof, the left side elevation view is the mirror image of the right side elevation view,

FIG. 6 is a front end elevation view thereof; and,

FIG. 7 is a rear end elevation view thereof.

1 Claim, 2 Drawing Sheets



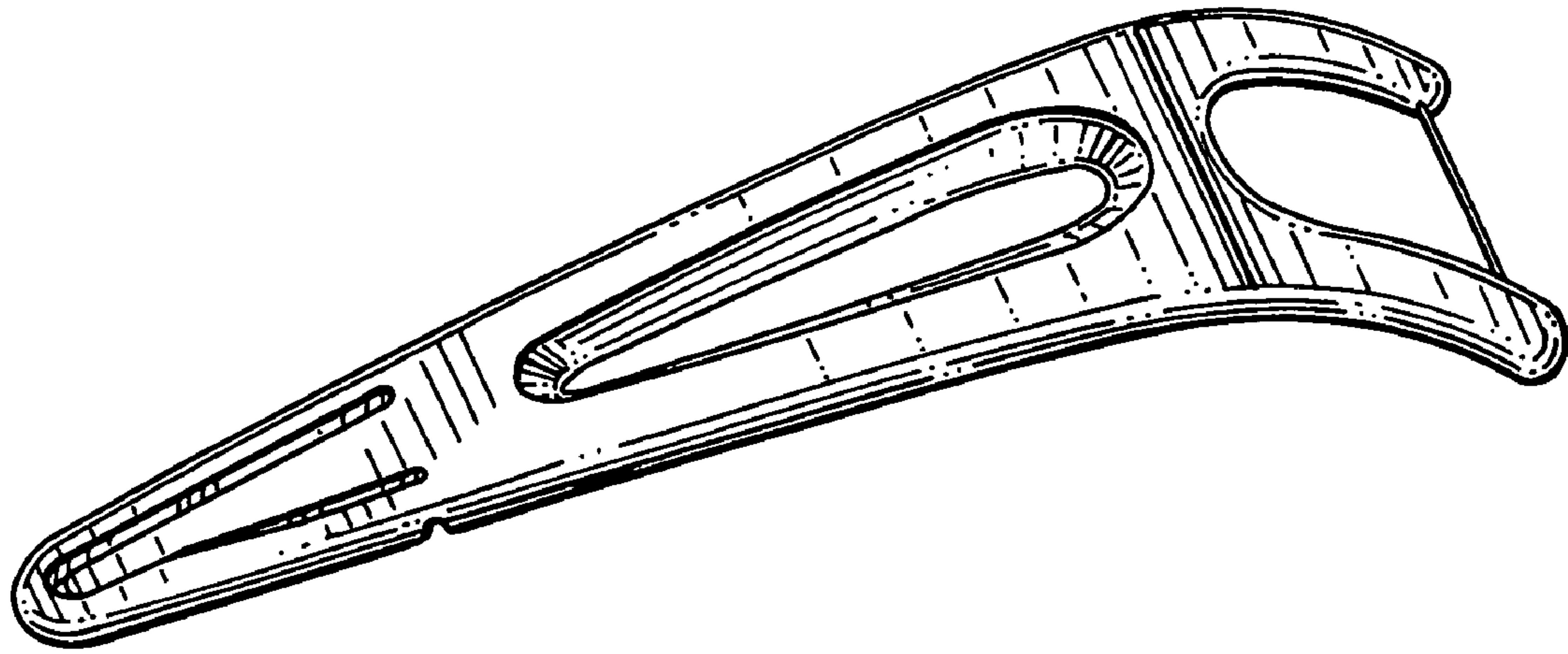


FIG. 1

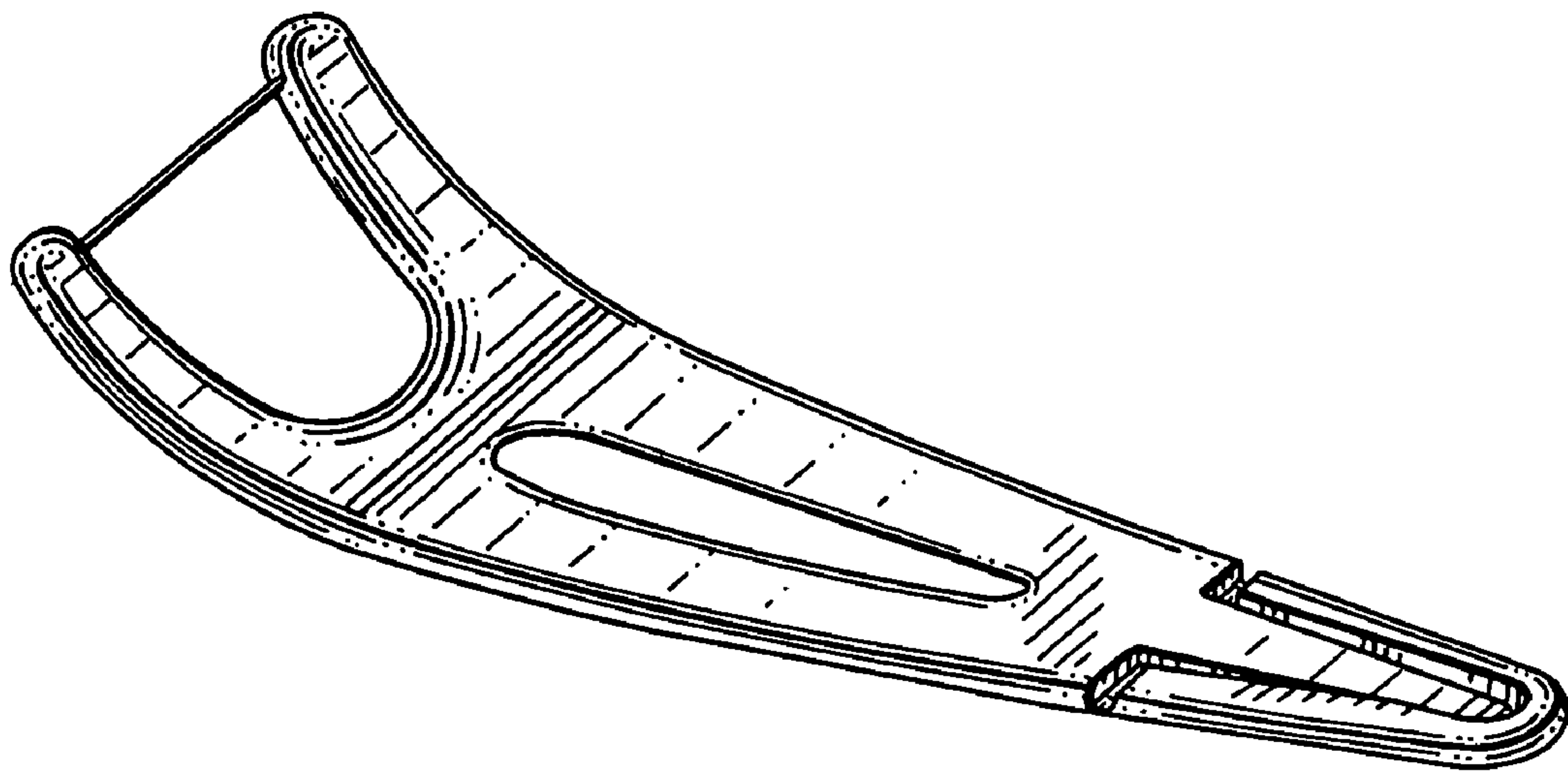


FIG. 2

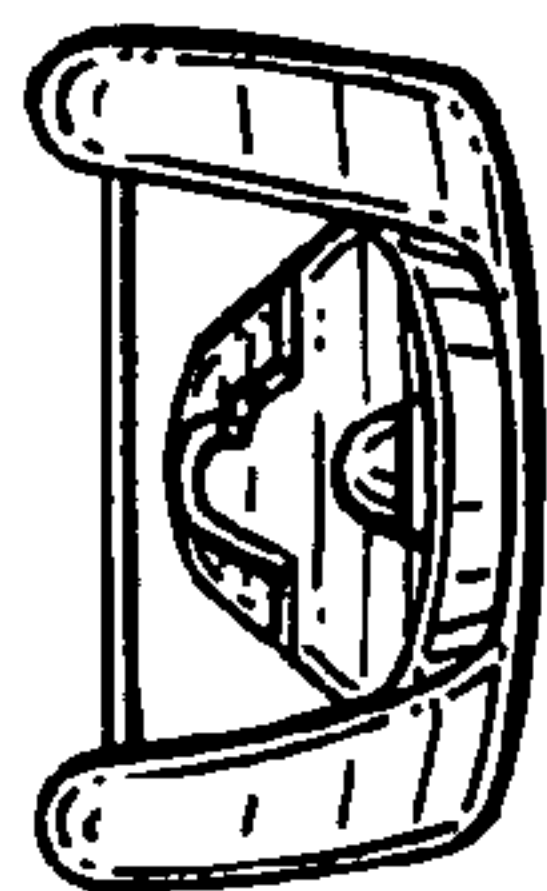


FIG. 7

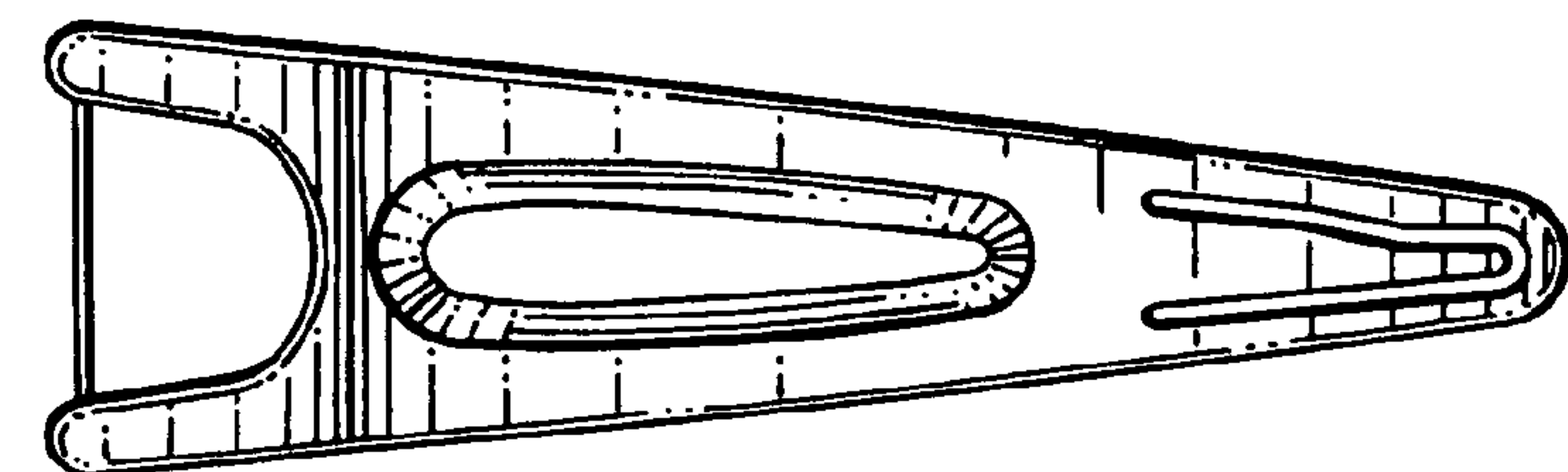


FIG. 3



FIG. 5

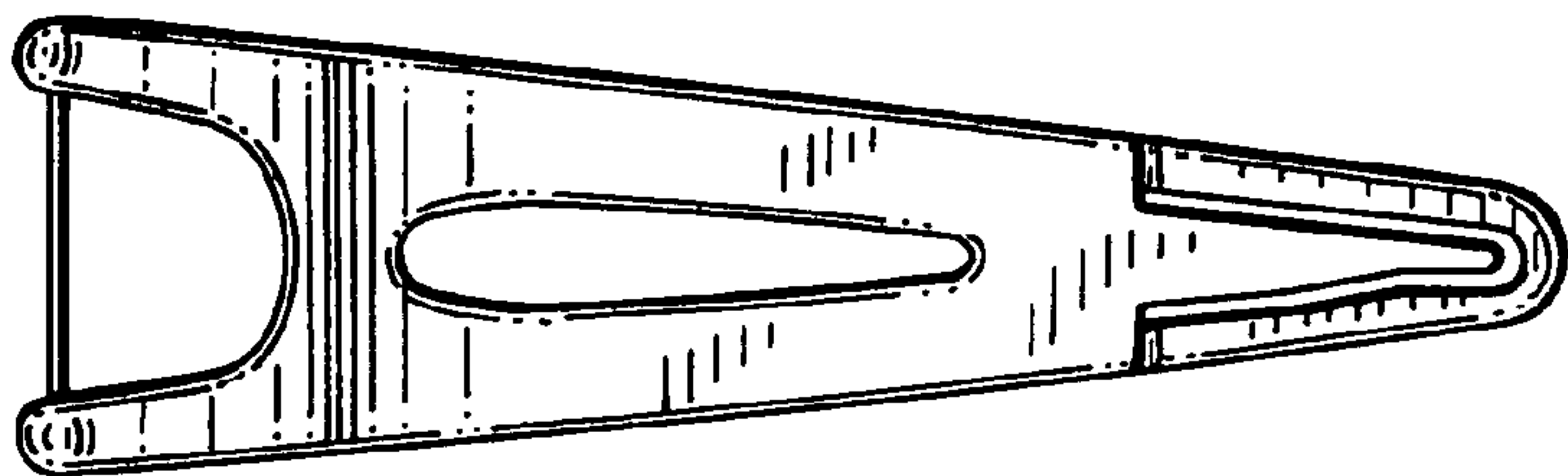


FIG. 4

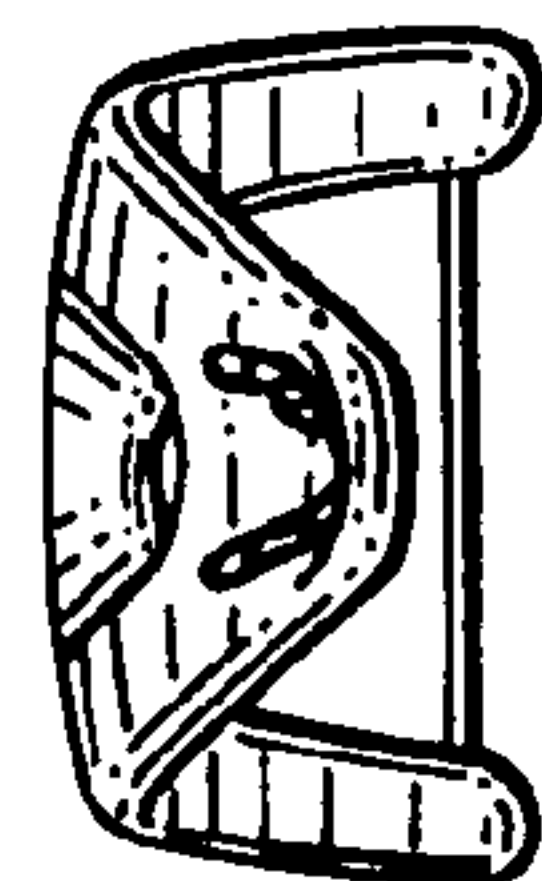


FIG. 6