



US00D606703S

(12) **United States Design Patent**
Sugishita et al.

(10) **Patent No.:** **US D606,703 S**
(45) **Date of Patent:** **** Dec. 22, 2009**

(54) **LIGHTING FIXTURE**

(75) Inventors: **Naoki Sugishita**, Kanagawa (JP);
Homare Takai, Kanagawa (JP);
Masanao Hieda, Kanagawa (JP);
Yasuhiko Ishii, Kanagawa (JP); **Yutaka Hashimoto**, Kanagawa (JP)

(73) Assignees: **Toshiba Lighting & Technology Corporation**, Kanagawa (JP);
Kabushiki Kaisha Toshiba, Tokyo (JP)

(**) Term: **14 Years**

(21) Appl. No.: **29/337,575**

(22) Filed: **May 26, 2009**

(30) **Foreign Application Priority Data**

Nov. 27, 2008 (JP) 2008-030443

(51) **LOC (9) Cl.** **26-99**

(52) **U.S. Cl.** **D26/120**

(58) **Field of Classification Search** D26/72,
D26/120, 118, 121, 28, 123, 74, 122, 24,
D26/77, 113, 119, 124, 128, 129, 130, 133,
D26/134, 136, 139, 142; D13/179; 362/330,
362/218, 217.03, 217.04, 217.05, 290, 291,
362/294, 296.01, 301, 326, 331, 341, 342,
362/350

See application file for complete search history.

(56) **References Cited**

U.S. PATENT DOCUMENTS

D173,156 S * 10/1954 Hurley D26/122
D173,157 S * 10/1954 Hurley D26/122

3,129,895 A * 4/1964 Franck 362/330
D327,543 S * 6/1992 Gardner D25/138
D467,028 S * 12/2002 Okano D26/120
D467,029 S * 12/2002 Okano D26/120
D474,303 S * 5/2003 Huang D26/123
D502,284 S * 2/2005 Egawa et al. D26/122
D542,963 S * 5/2007 Zucker
D578,699 S * 10/2008 Ohno et al. D26/72
2009/0027897 A1 * 1/2009 Chang 362/330

* cited by examiner

Primary Examiner—Cathron C Brooks
Assistant Examiner—Kevin K Rudzinski
(74) *Attorney, Agent, or Firm*—J.C. Patents

(57) **CLAIM**

The ornamental design for a lighting fixture, as shown and described.

DESCRIPTION

FIG. 1 is a front view of a lighting fixture showing our new design, the rear view, the left side view and the right side view being identical to the front view.

FIG. 2 is a top view thereof.

FIG. 3 is a bottom view thereof.

FIG. 4 is an enlarged cross-sectional view taken along line 4—4 in FIG. 2 with the internal parts omitted; and,

FIG. 5 is an enlarged view of an indicated portion in FIG. 4. The portions shown in double cross-hatched lines in FIGS. 4 and 5 are transparent.

1 Claim, 4 Drawing Sheets

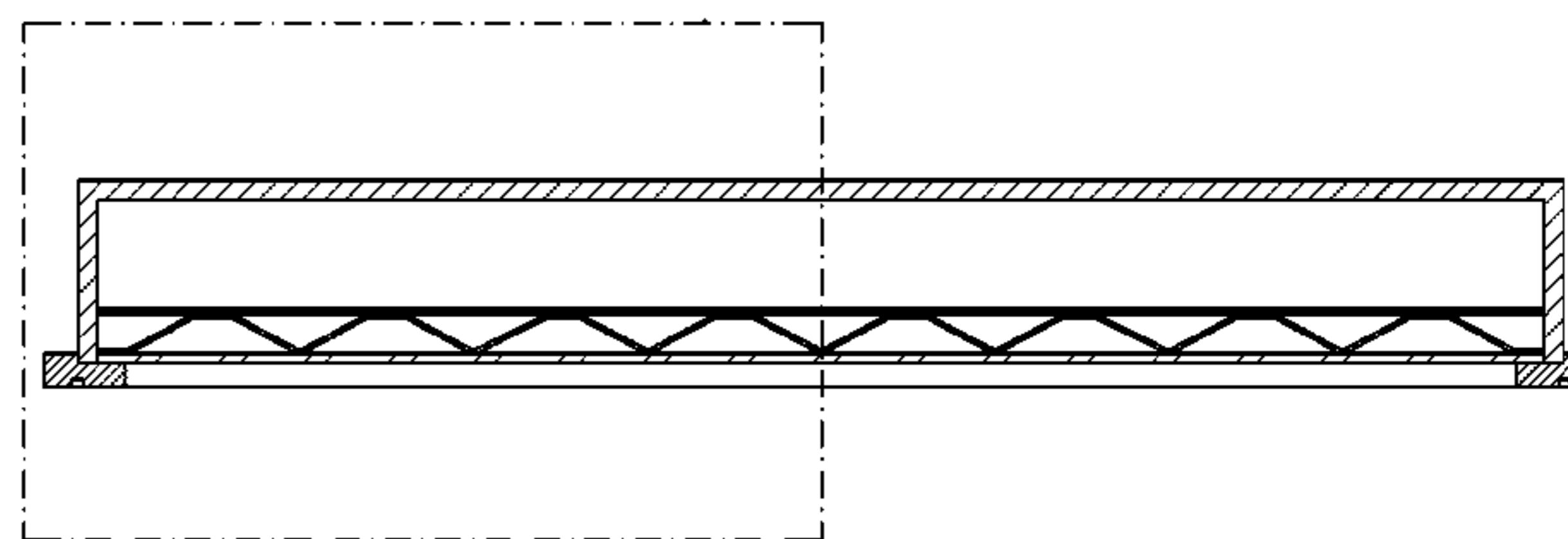
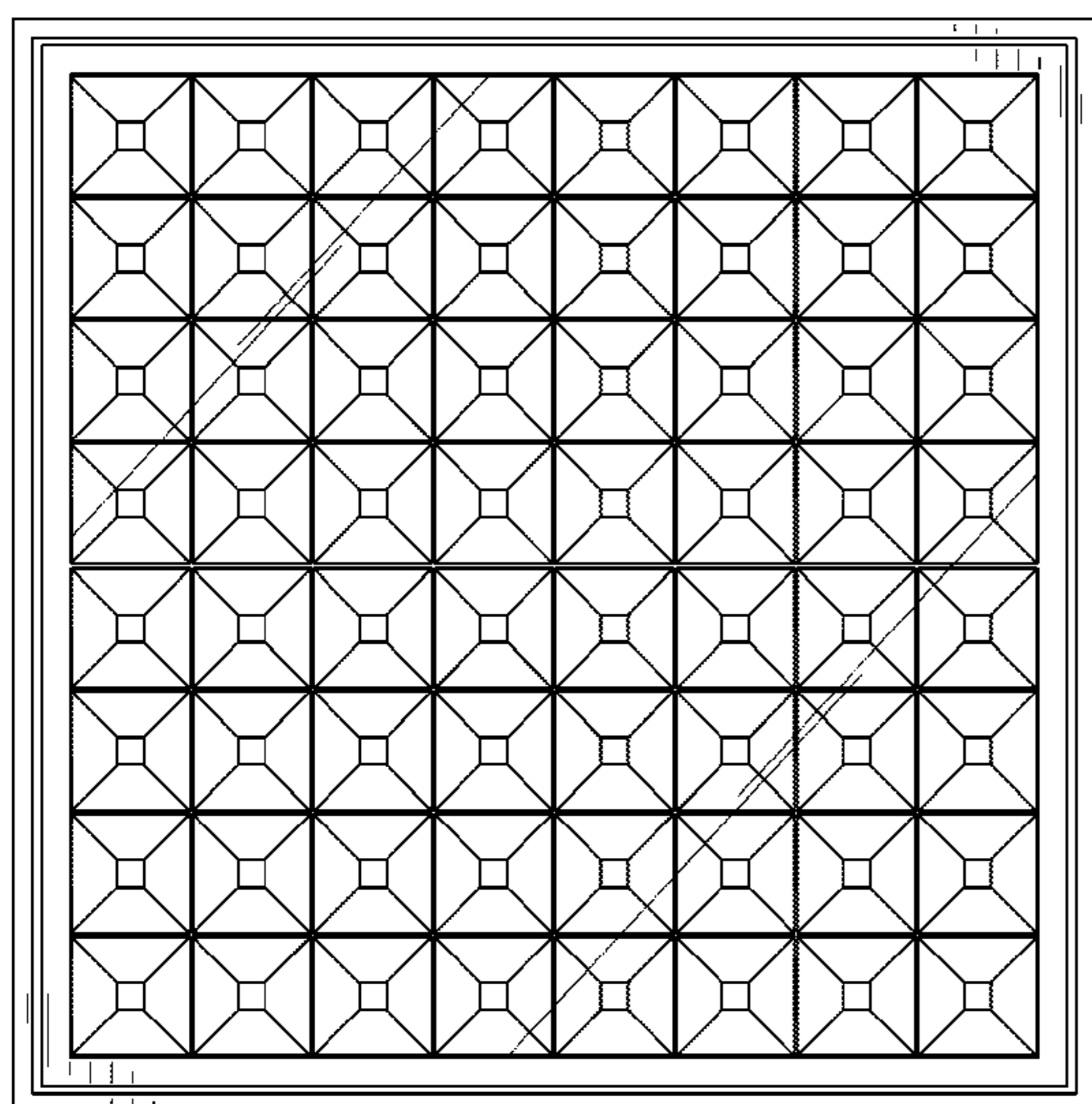




FIG. 1

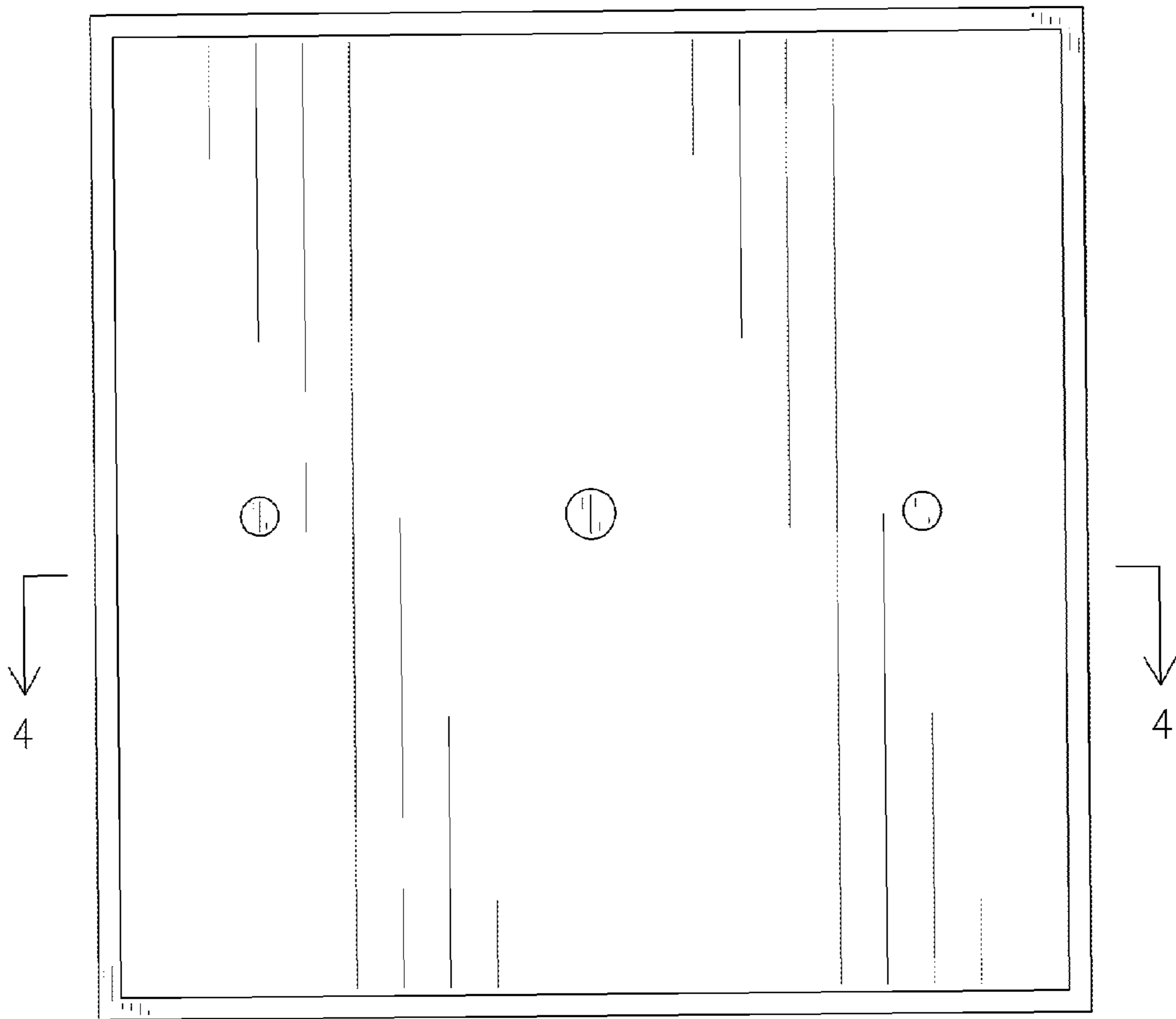


FIG. 2

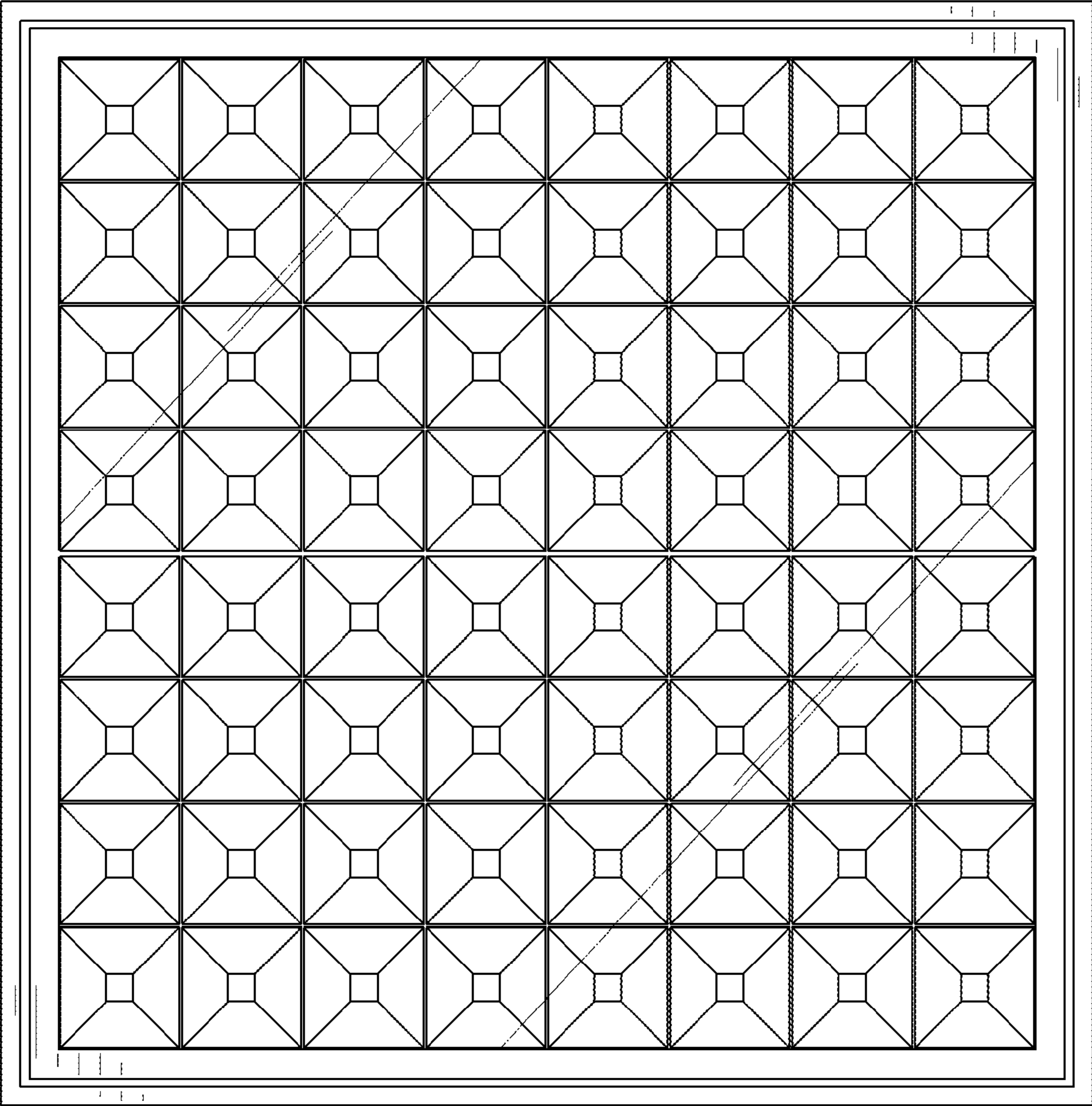


FIG. 3

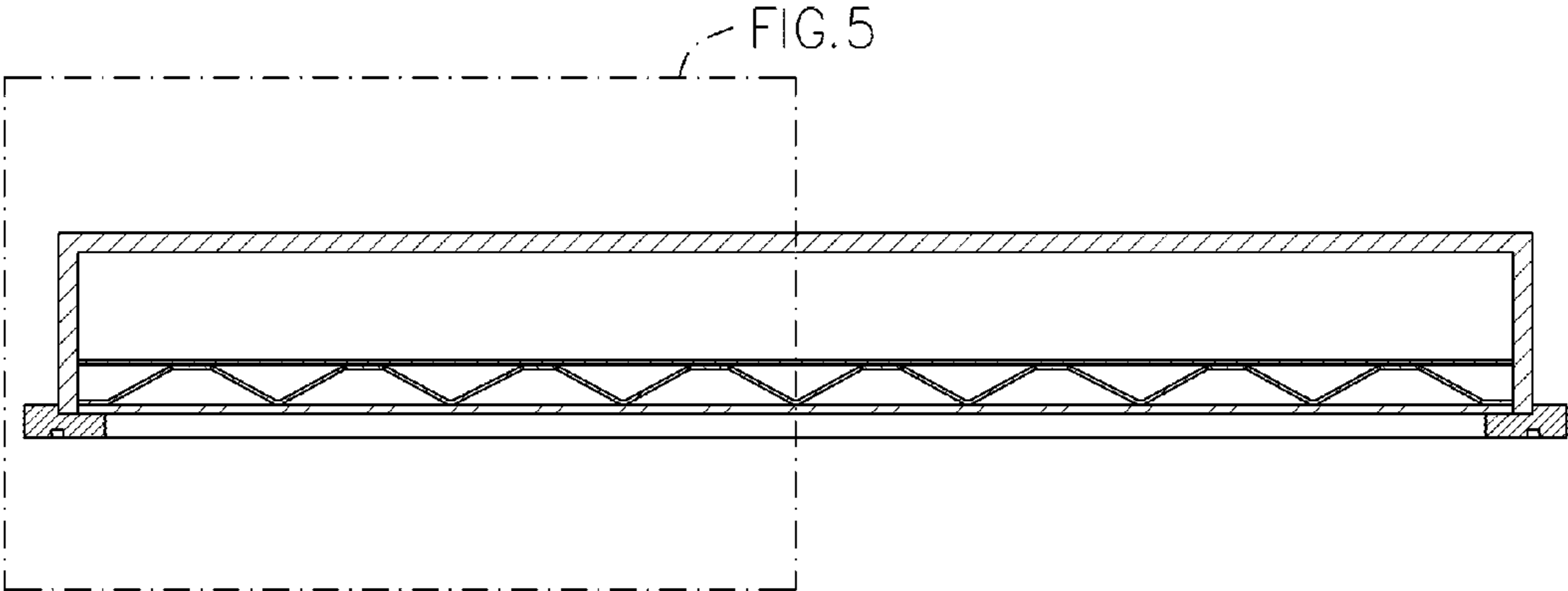


FIG. 4

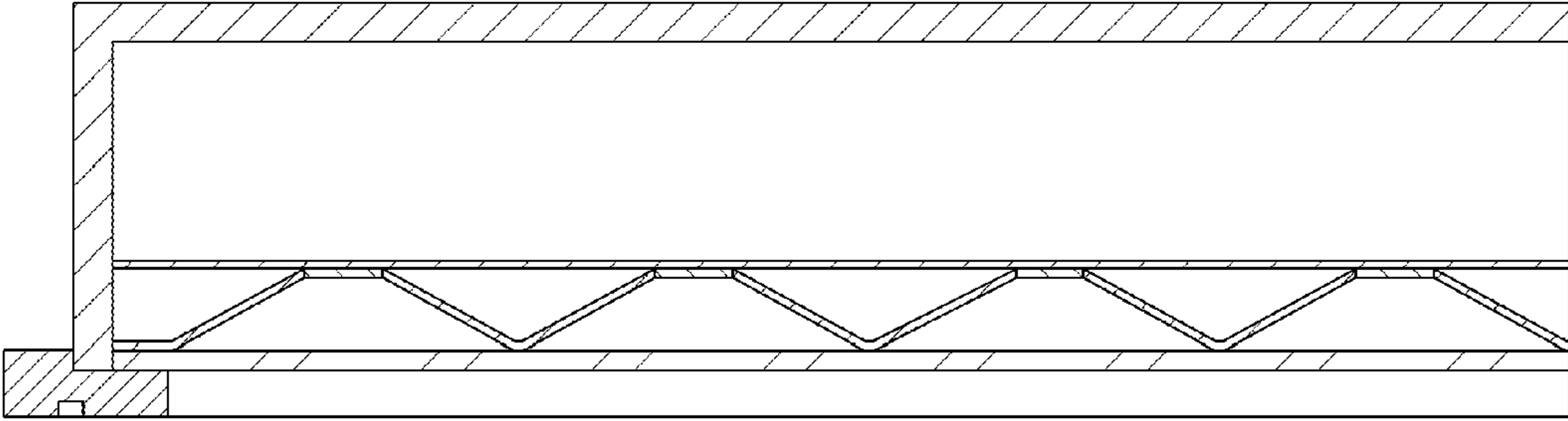


FIG. 5