



US00D606700S

(12) **United States Design Patent**  
**Sabernig**

(10) **Patent No.:** **US D606,700 S**

(45) **Date of Patent:** **\*\* Dec. 22, 2009**

(54) **LIGHT FIXTURE**

(75) Inventor: **Robert Sabernig**, Munster (AT)

(73) Assignee: **EGLO Leuchten GmbH**, Innsbruck (AT)

(\*\*) Term: **14 Years**

(21) Appl. No.: **29/335,982**

(22) Filed: **Apr. 27, 2009**

**Related U.S. Application Data**

(63) Continuation-in-part of application No. 29/304,777, filed on Mar. 7, 2008.

(51) **LOC (9) Cl.** ..... **26-03**

(52) **U.S. Cl.** ..... **D26/85**

(58) **Field of Classification Search** ..... D26/67-71,  
D26/80-92, 128-131; 362/147, 317, 351,  
362/404-408, 431, 432

See application file for complete search history.

(56) **References Cited**

**U.S. PATENT DOCUMENTS**

D47,610 S	7/1915	Owen
D134,482 S	9/1942	Ganger
D172,688 S	3/1954	Ruskin
D288,247 S	2/1987	DeLucchi
D385,643 S	10/1997	Brohard et al.
D402,389 S	12/1998	Norman et al.
D402,390 S	12/1998	Smedley et al.
D541,970 S	5/2007	Blackman
D558,386 S	12/2007	Bickler et al.
D583,981 S	12/2008	Meyer et al.

D583,982 S	12/2008	Meyer et al.
D583,983 S	* 12/2008	Meyer et al. .... D26/89
2005/0201082 A1	9/2005	Mauk et al.

**OTHER PUBLICATIONS**

All light fixtures from the "Vision" collection shown on pp. 153-155 of the ET2 2007 Lighting Catalog. © 2006. (3 pages).\*  
Helius Collection; Dual Island Light Chandelier; Model No. 16095; printed from www.lampsplus.com on Mar. 11, 2008.

\* cited by examiner

*Primary Examiner*—Clare E Heflin

(74) *Attorney, Agent, or Firm*—Baker & McKenzie LLP

(57) **CLAIM**

The ornamental design for a light fixture, as shown and described.

**DESCRIPTION**

FIG. 1 is a perspective view of a light fixture in accordance with my design;

FIG. 2 is a side elevation view of the light fixture in accordance with my design, the opposite view being a mirror image of that shown;

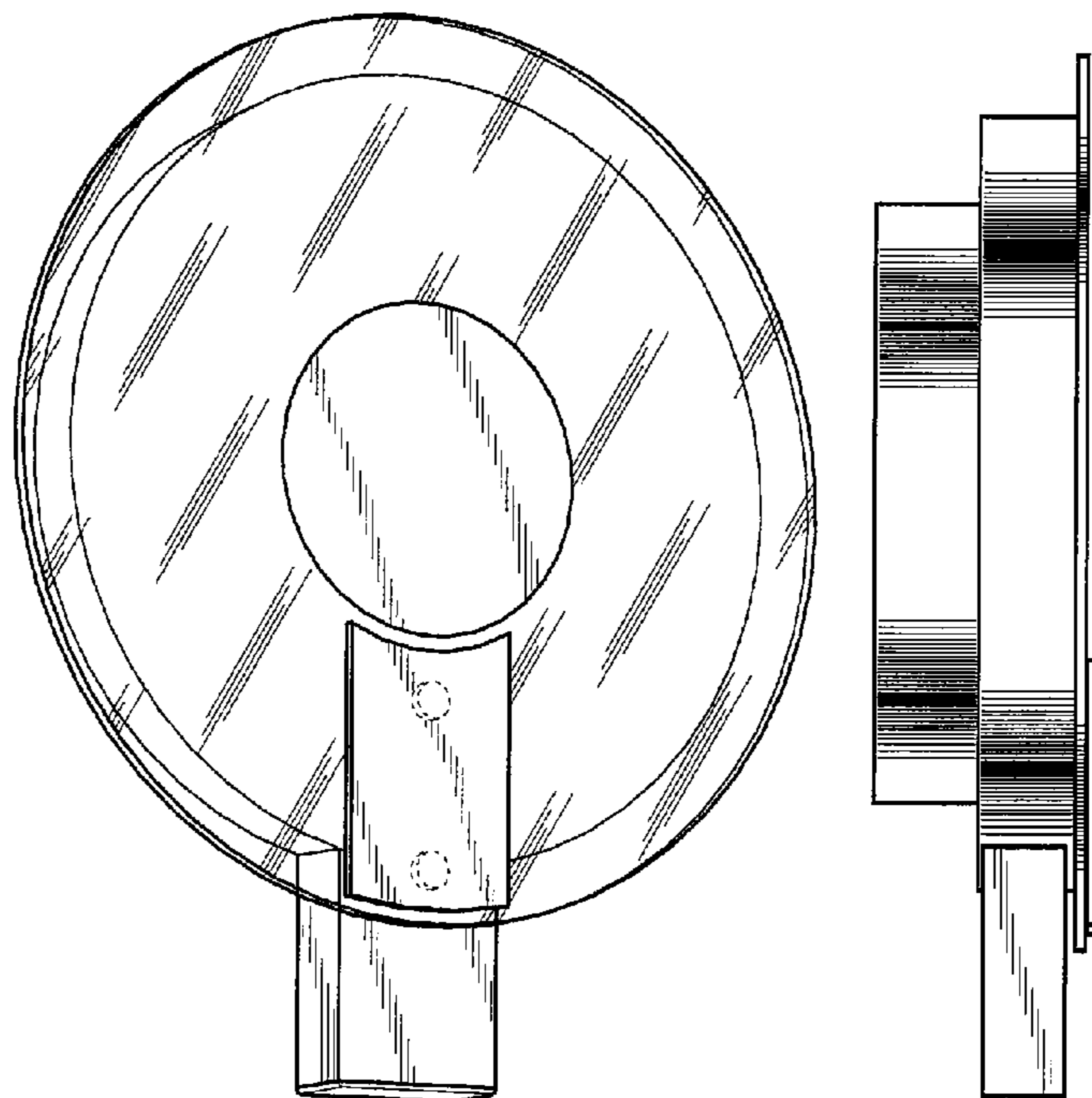
FIG. 3 is a front elevation view of the light fixture in accordance with my design;

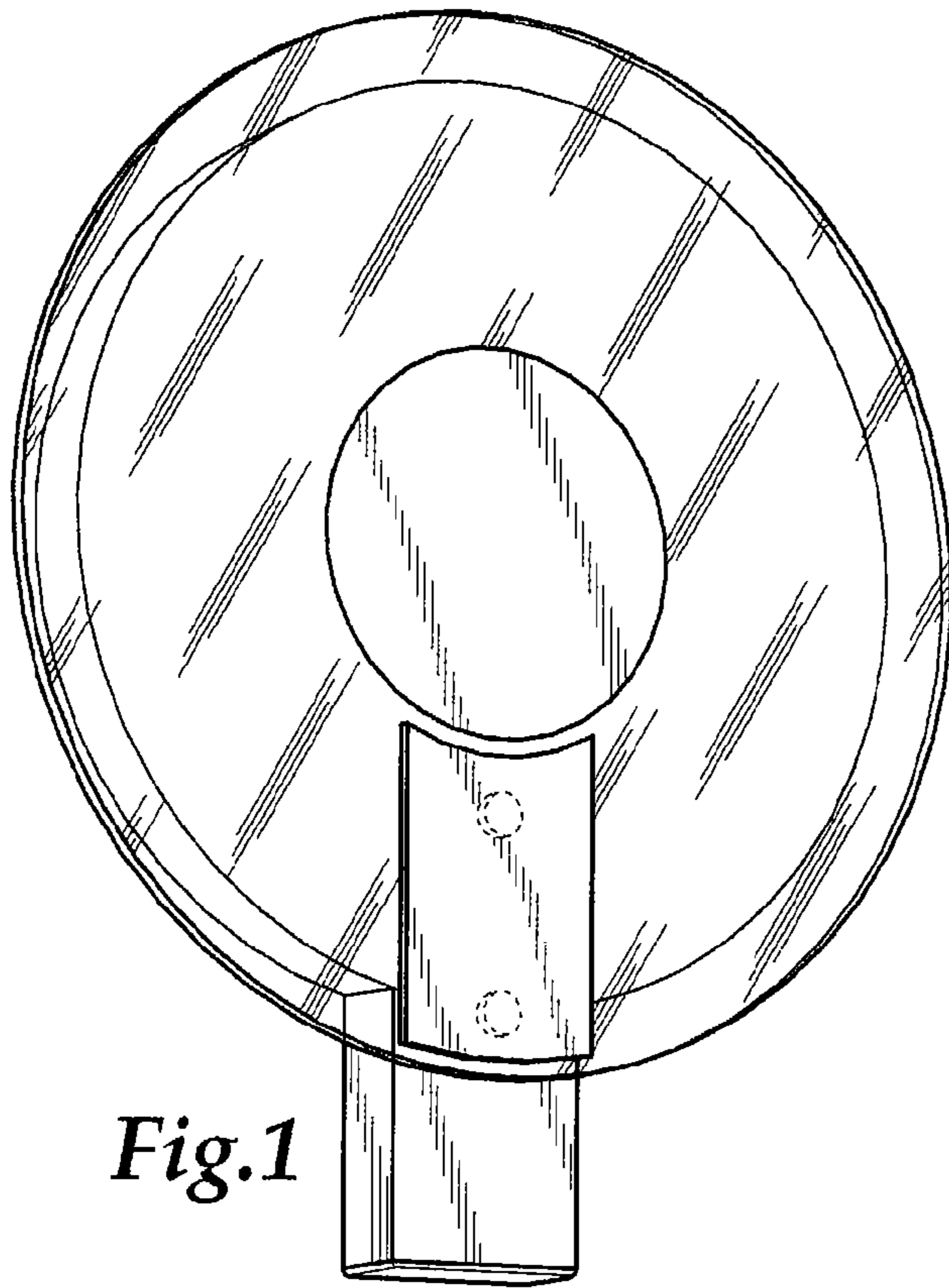
FIG. 4 is a bottom plan view of the light fixture in accordance with my design; and,

FIG. 5 is a top plan view of the light fixture in accordance with my design.

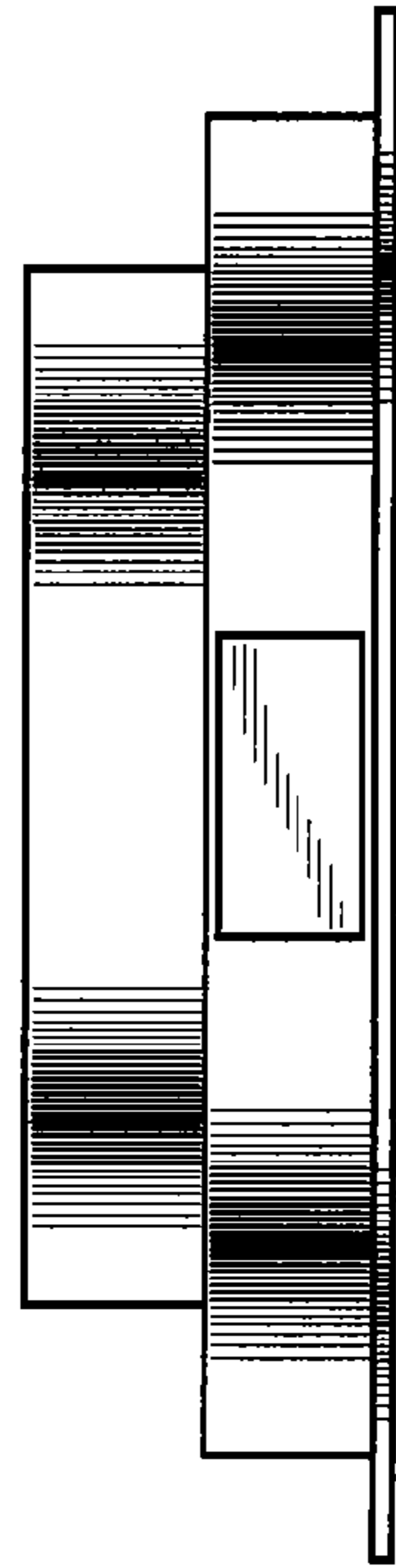
The broken lines on the drawings depict environment only and form no part of the claim.

**1 Claim, 1 Drawing Sheet**

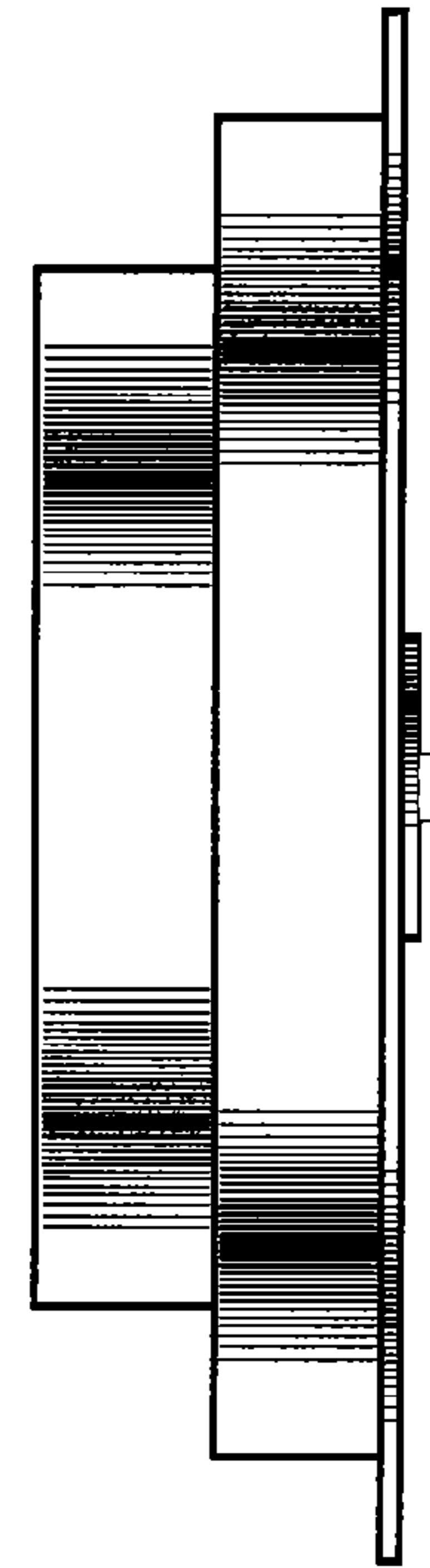




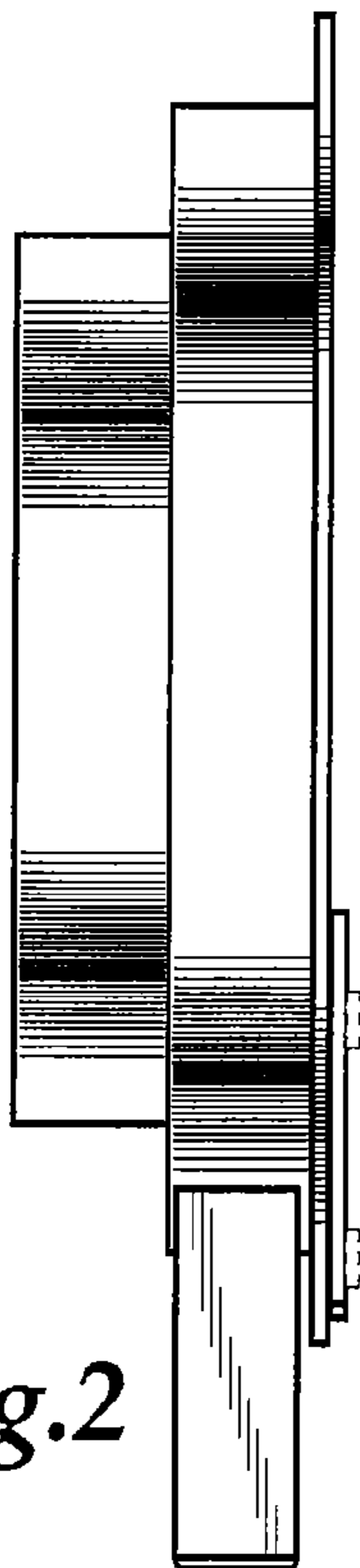
*Fig. 1*



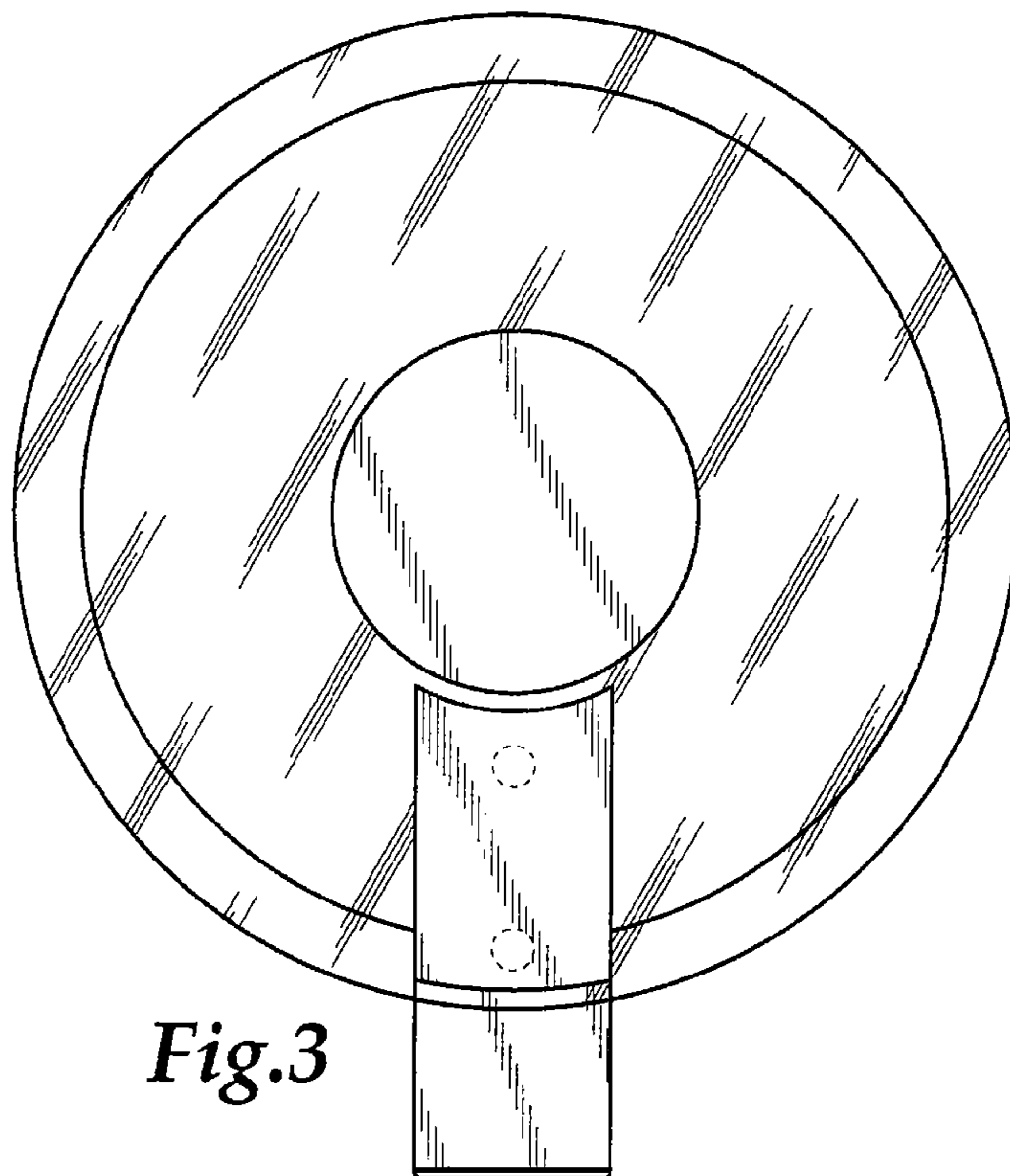
*Fig. 4*



*Fig. 5*



*Fig. 2*



*Fig. 3*