



US00D606699S

(12) **United States Design Patent**
Wei

(10) **Patent No.:** **US D606,699 S**

(45) **Date of Patent:** **** Dec. 22, 2009**

(54) **LED LUMINAIRE WITH LIGHT SENSOR**

(75) Inventor: **Lim Ming Wei**, Penang (MY)

(73) Assignee: **OSRAM Gesellschaft mit
beschraenkter Haftung**, Munich (DE)

(**) Term: **14 Years**

(21) Appl. No.: **29/313,124**

(22) Filed: **Dec. 10, 2008**

(30) **Foreign Application Priority Data**

Jul. 11, 2008 (EM) 000973417-0001

(51) **LOC (9) Cl.** **26-03**

(52) **U.S. Cl.** **D26/80**

(58) **Field of Classification Search** D26/24,
D26/36, 37, 44, 60, 61, 63, 72, 80, 138; 362/98,
362/99, 101, 182, 202, 267, 473, 477, 515
See application file for complete search history.

(56) **References Cited**

U.S. PATENT DOCUMENTS

D111,886 S *	10/1938	Zagel	D26/60
D127,833 S *	6/1941	Price	D26/63
D134,595 S *	12/1942	Van Es	D26/63
D161,709 S *	1/1951	Rahn	D26/36
D332,320 S *	1/1993	Gammache	D26/44

D377,226 S *	1/1997	Shen	D26/60
D496,483 S *	9/2004	Christianson	D26/60
7,207,701 B2 *	4/2007	Kennedy et al.	362/477
D544,117 S *	6/2007	Coushaine	D26/37
D561,921 S *	2/2008	Aleksjew	D26/37
2006/0250789 A1 *	11/2006	Coushaine	362/157

* cited by examiner

Primary Examiner—Clare E Heflin

(74) *Attorney, Agent, or Firm*—Frishauf, Holtz, Goodman & Chick, P.C.

(57) **CLAIM**

The ornamental design for an led luminaire with light sensor, as shown and described.

DESCRIPTION

FIG. 1 is a front perspective view of the led luminaire with light sensor

FIG. 2 is a front view of the led luminaire with light sensor

FIG. 3 is a right side view of the led luminaire with light sensor

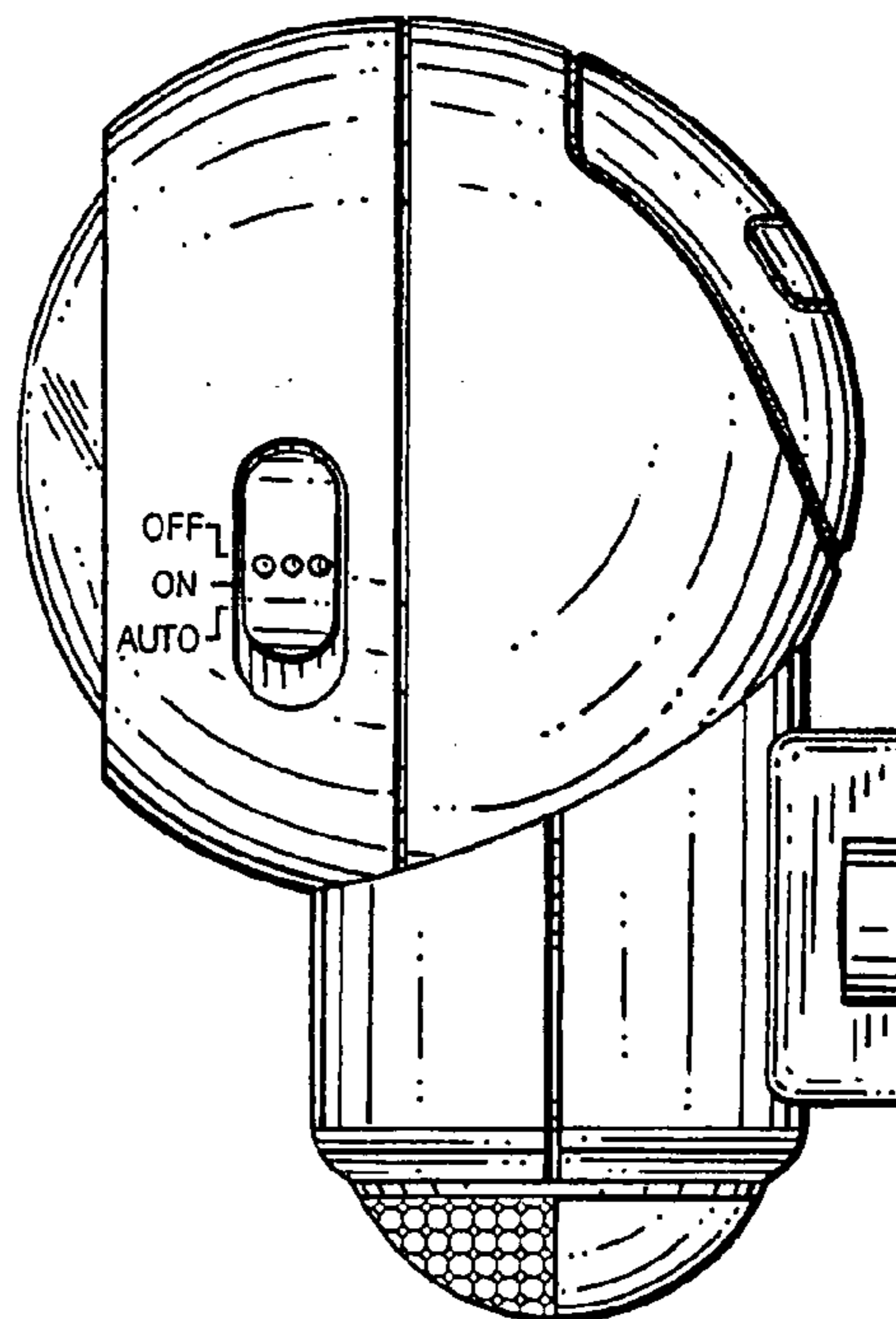
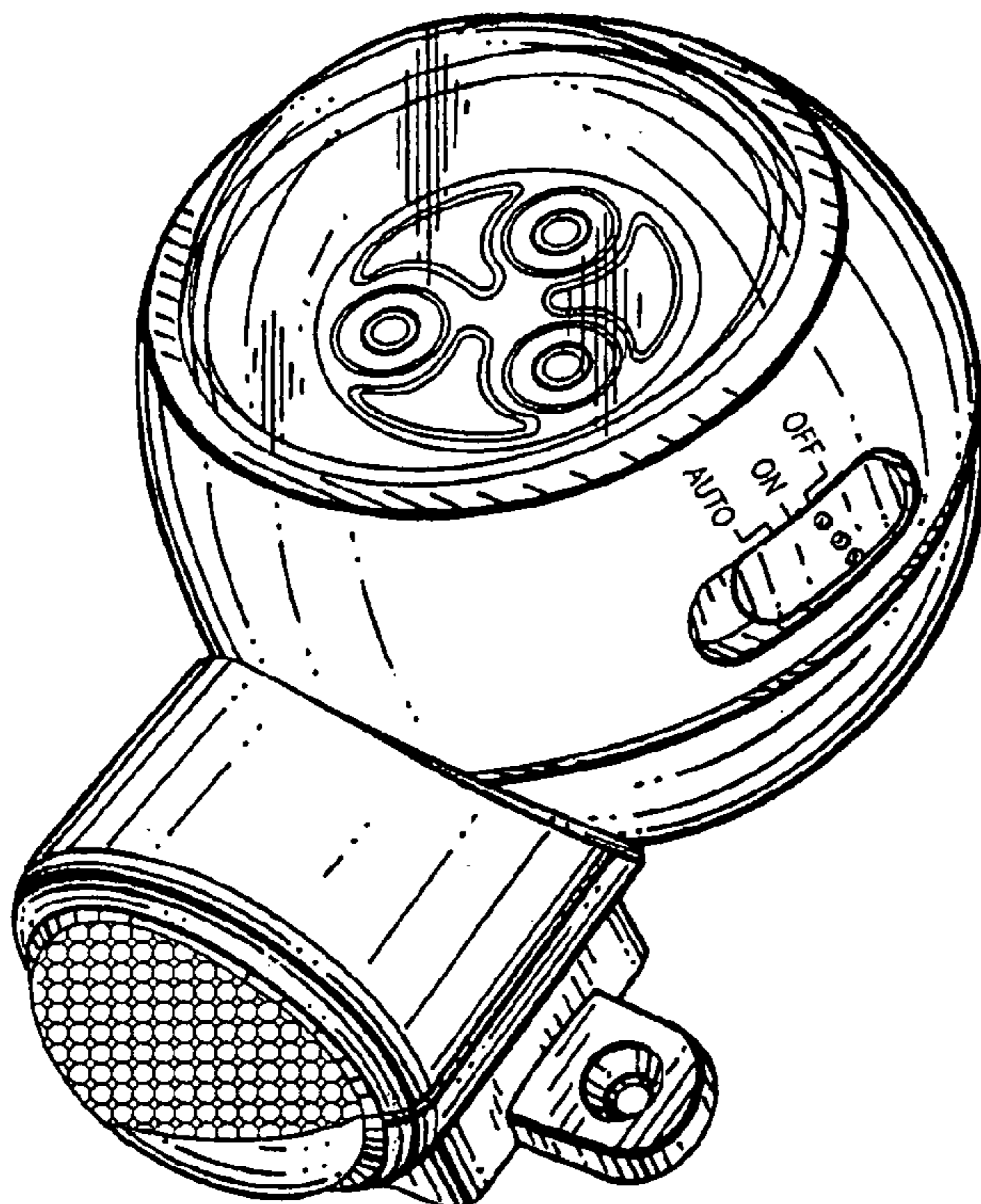
FIG. 4 is a left side view of the led luminaire with light sensor

FIG. 5 is a back view of the led luminaire with light sensor

FIG. 6 is a top view of the led luminaire with light sensor; and,

FIG. 7 is a bottom view of the led luminaire with light sensor.

1 Claim, 3 Drawing Sheets



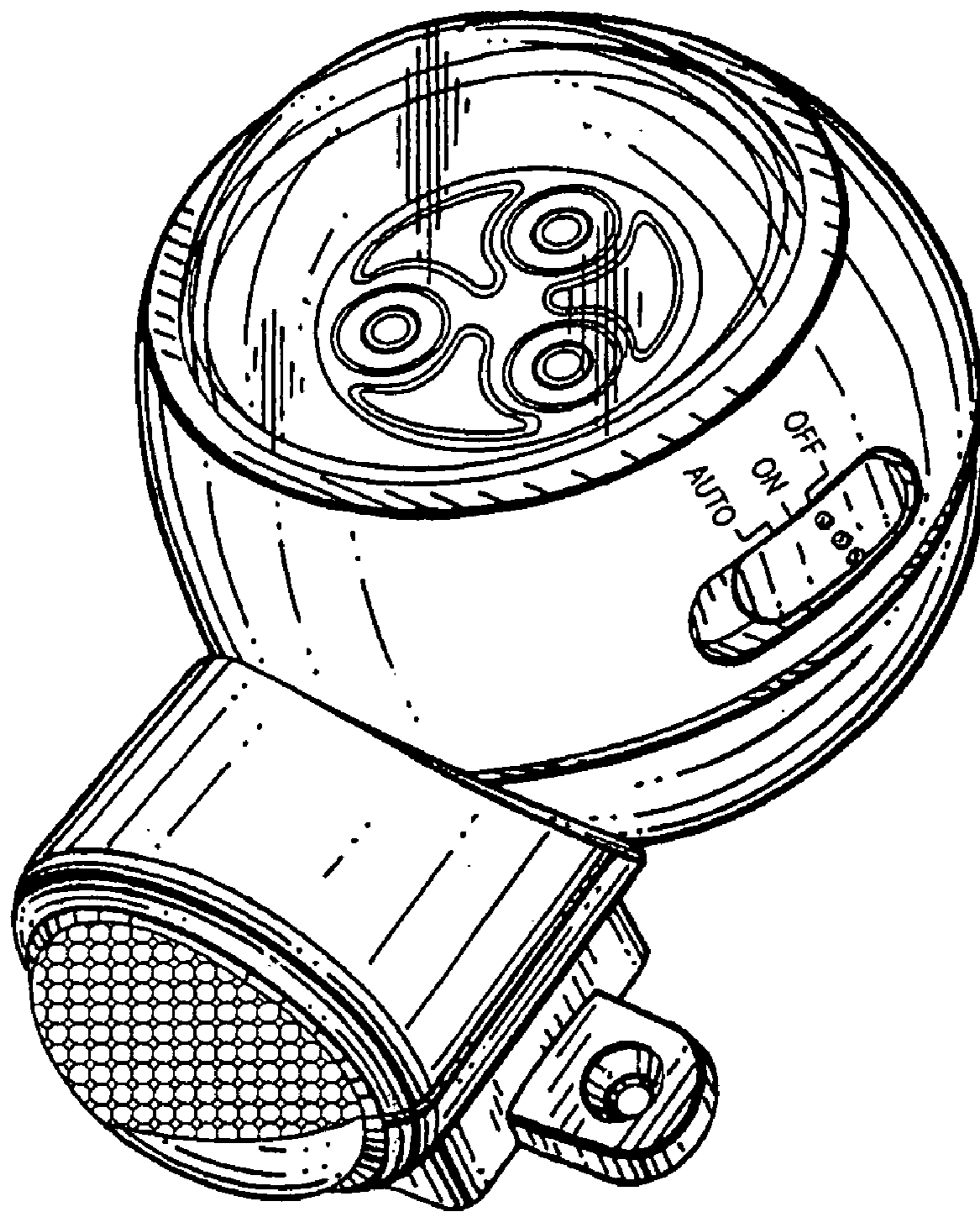


FIG. 1

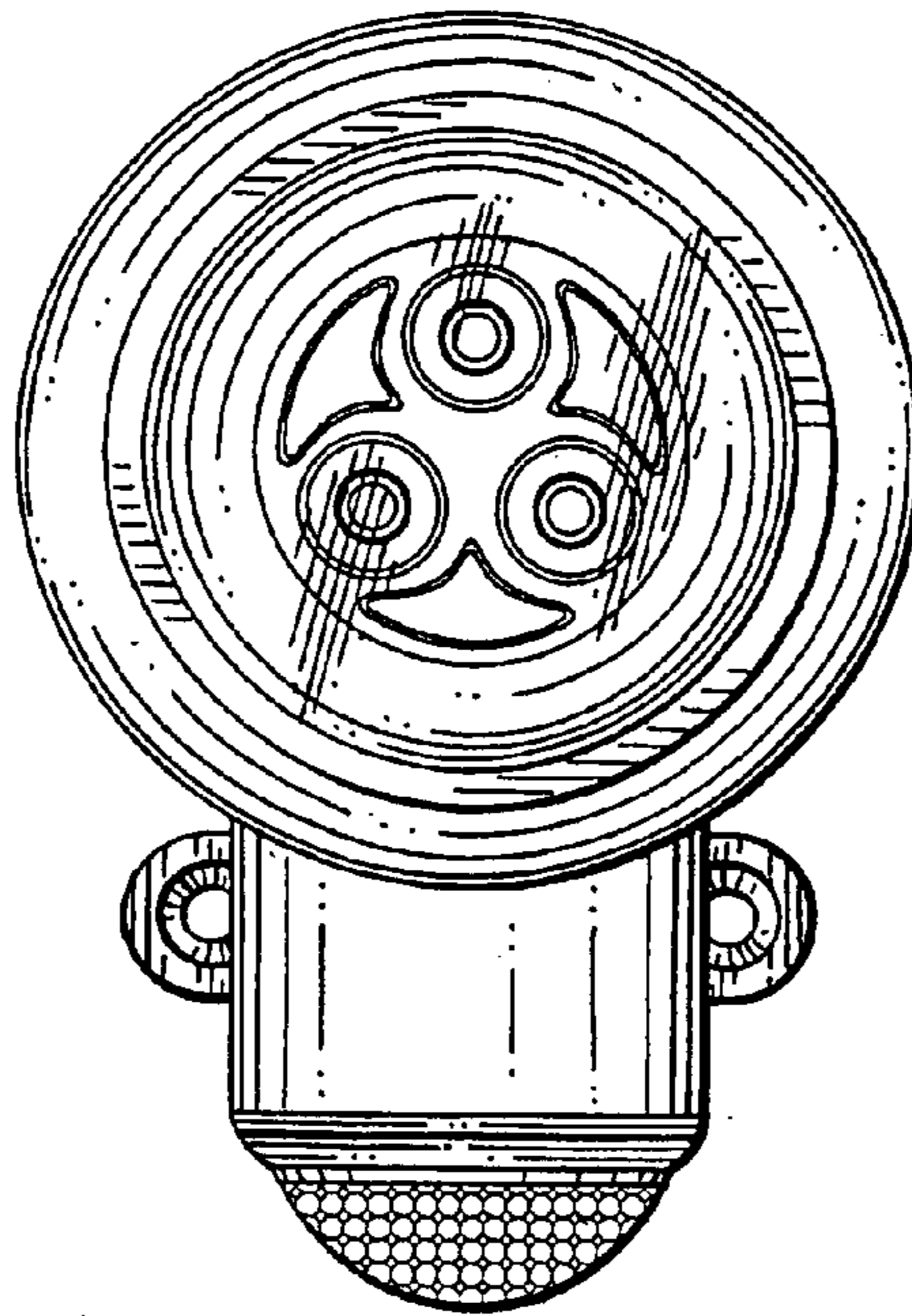


FIG. 2

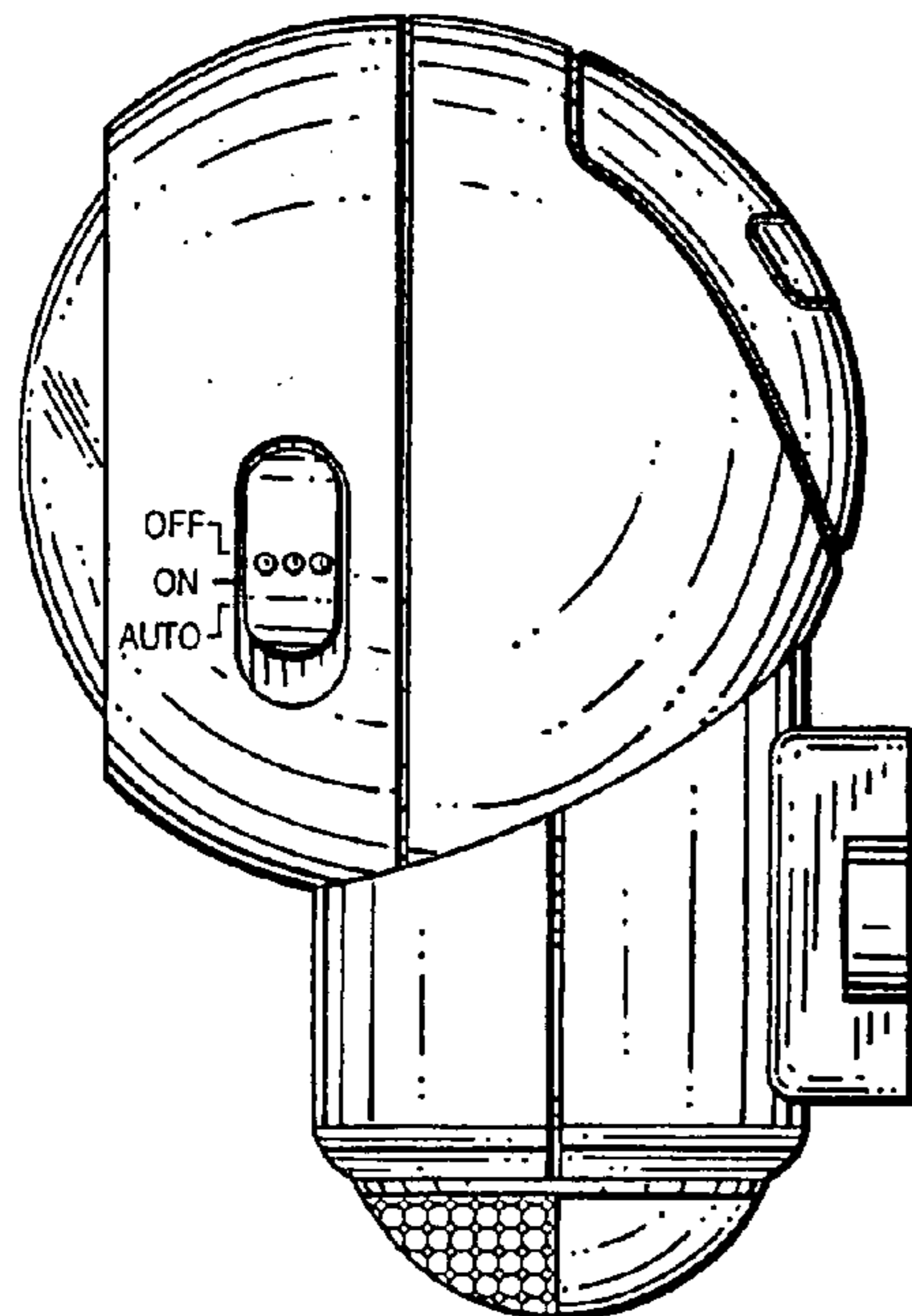


FIG. 3

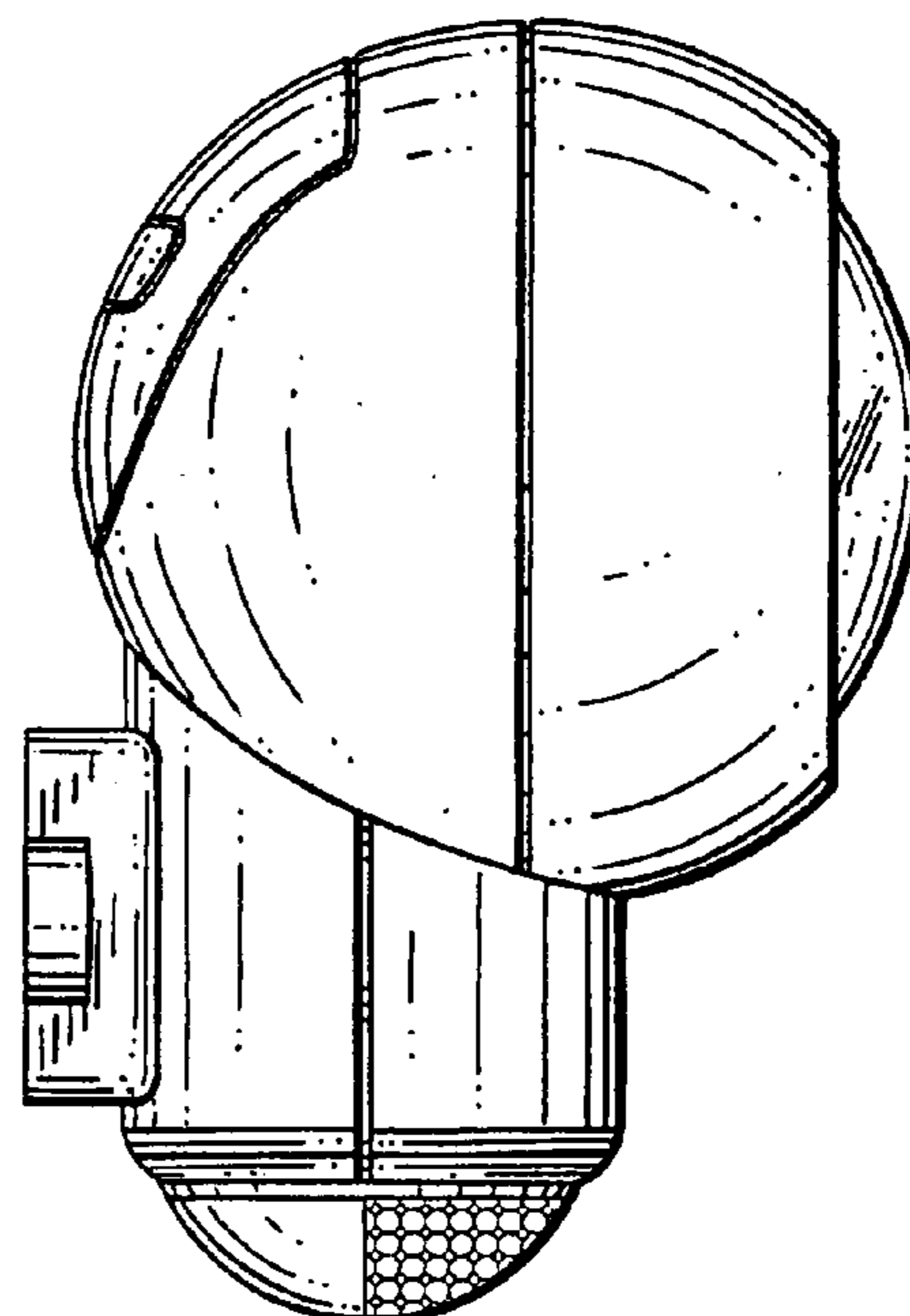


FIG. 4

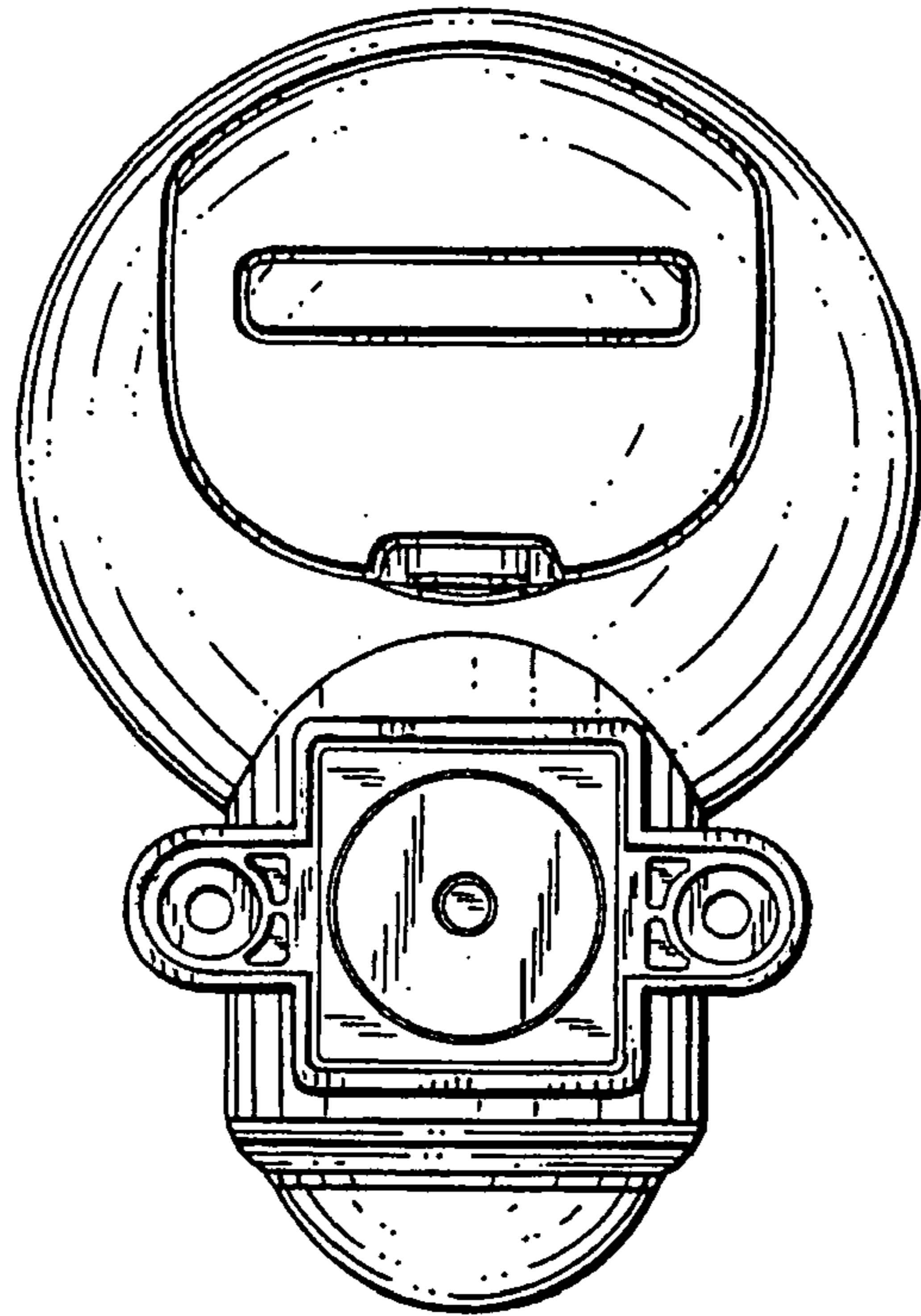


FIG. 5

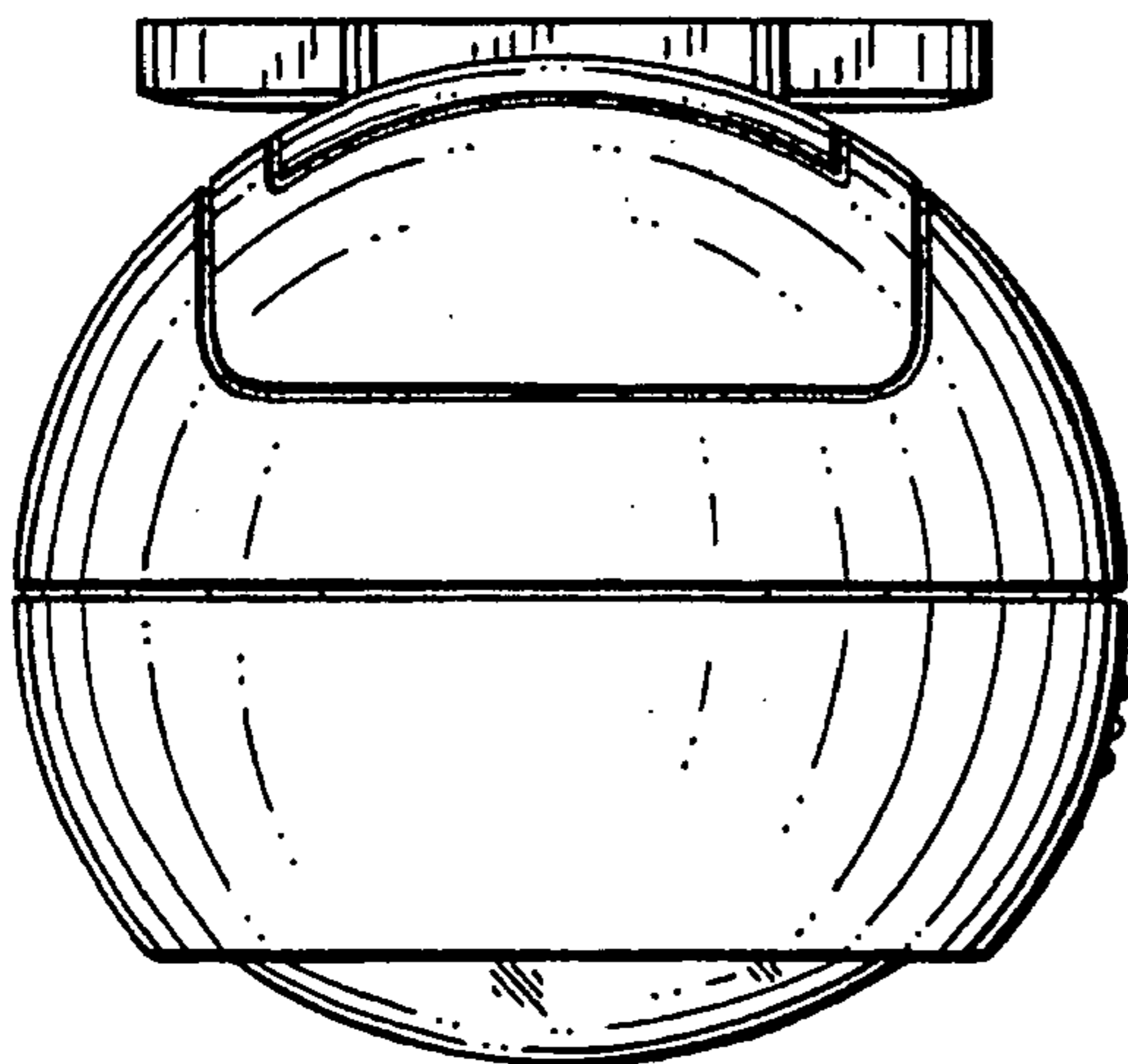


FIG. 6

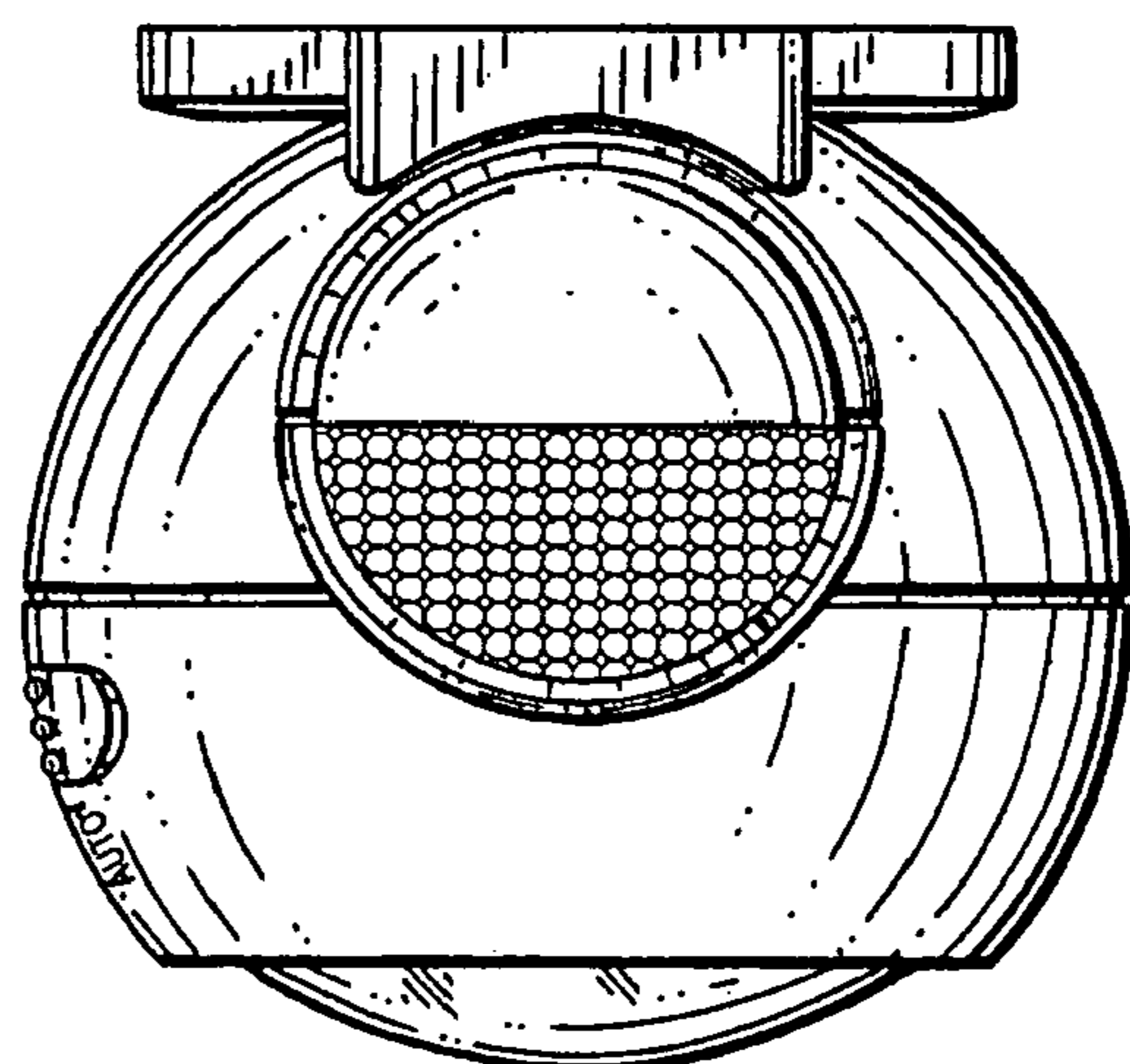


FIG. 7