



US00D606698S

(12) **United States Design Patent**
Verfuерth et al.

(10) **Patent No.:** **US D606,698 S**

(45) **Date of Patent:** **** Dec. 22, 2009**

(54) **LIGHTING FIXTURE**

(75) Inventors: **Neal R. Verfuерth**, Plymouth, WI (US);
Kenneth J. Wetenkamp, Plymouth, WI
(US); **Anthony J. Bartol**, Plymouth, WI
(US); **Ronald E. Ernst**, Waldo, WI (US)

(73) Assignee: **Orion Energy Systems, Inc.**,
Manitowoc, WI (US)

(**) Term: **14 Years**

(21) Appl. No.: **29/343,009**

(22) Filed: **Sep. 4, 2009**

(51) **LOC (9) Cl.** **26-03**

(52) **U.S. Cl.** **D26/76**

(58) **Field of Classification Search** D26/26,
D26/37, 67, 72, 74-79, 80, 85, 104, 108,
D26/118, 120, 122, 134; 362/147-148, 150,
362/217-225, 132, 260, 262-264, 267, 294,
362/345, 362, 364, 373, 376, 440

See application file for complete search history.

(56) **References Cited**

U.S. PATENT DOCUMENTS

D125,468 S *	2/1941	Dreyfuss	D26/24
D208,491 S *	9/1967	Brooks	D26/71
D209,982 S *	1/1968	Cohen	D26/24
5,649,759 A *	7/1997	Korte	362/659
D411,324 S *	6/1999	Roorda	D26/87
D411,326 S *	6/1999	Roorda	D26/87
D427,340 S *	6/2000	Beghelli	D26/24
D441,479 S *	5/2001	McCormick et al.	D26/72
D452,340 S *	12/2001	Pickett et al.	D26/76
D464,457 S *	10/2002	Echito	D26/76
D464,757 S *	10/2002	Echito	D26/75
D496,750 S *	9/2004	Waldmann	D26/78
D521,171 S *	5/2006	Skegin	D26/76
D563,019 S *	2/2008	Pfund	D26/72
D564,694 S *	3/2008	Southern, Jr.	D26/85
D565,234 S *	3/2008	Pfund et al.	D26/87

D576,330 S * 9/2008 Ruud et al. D26/71
2005/0276049 A1 * 12/2005 Sun et al. 362/260

* cited by examiner

Primary Examiner—Philip S Hyder

Assistant Examiner—Susan E Krakower

(74) *Attorney, Agent, or Firm*—Foley & Lardner LLP

(57) **CLAIM**

We claim the ornamental design for a lighting fixture, as shown and described.

DESCRIPTION

FIG. 1 is a bottom perspective view of an embodiment of the claimed design;

FIG. 2 is a top perspective view of an embodiment of the claimed design;

FIG. 3 is a side view of an embodiment of the claimed design;

FIG. 4 is a top view of an embodiment of the claimed design;

FIG. 5 is a bottom view of an embodiment of the claimed design;

FIG. 6 is a front view of an embodiment of the claimed design;

FIG. 7 is a rear view of an embodiment of the claimed design;

FIG. 8 is a bottom perspective view of another embodiment of the claimed design;

FIG. 9 is a top perspective view of the embodiment shown in FIG. 8;

FIG. 10 is a side view of the embodiment shown in FIG. 8;

FIG. 11 is a top view of the embodiment shown in FIG. 8;

FIG. 12 is a bottom view of the embodiment shown in FIG. 8;

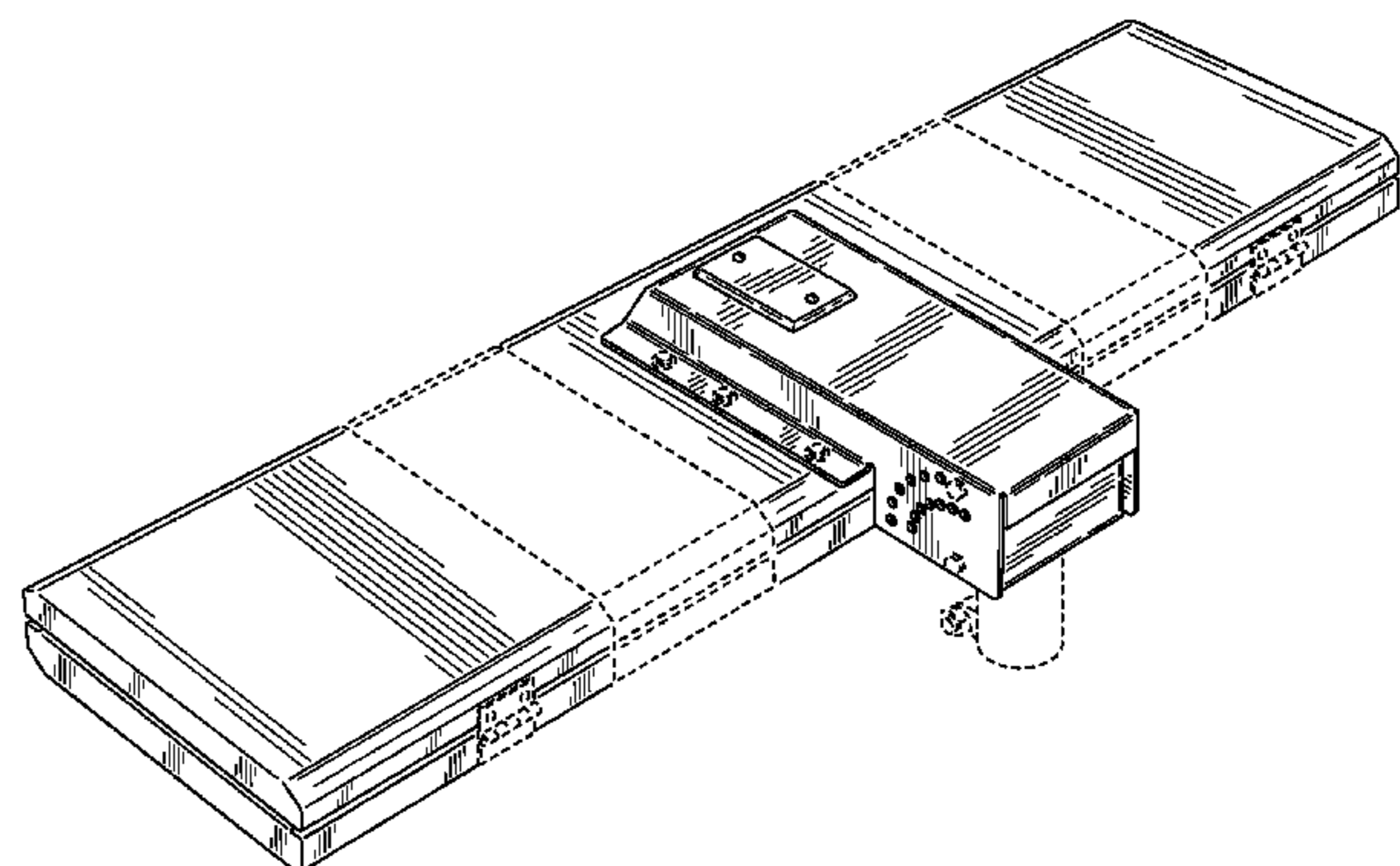
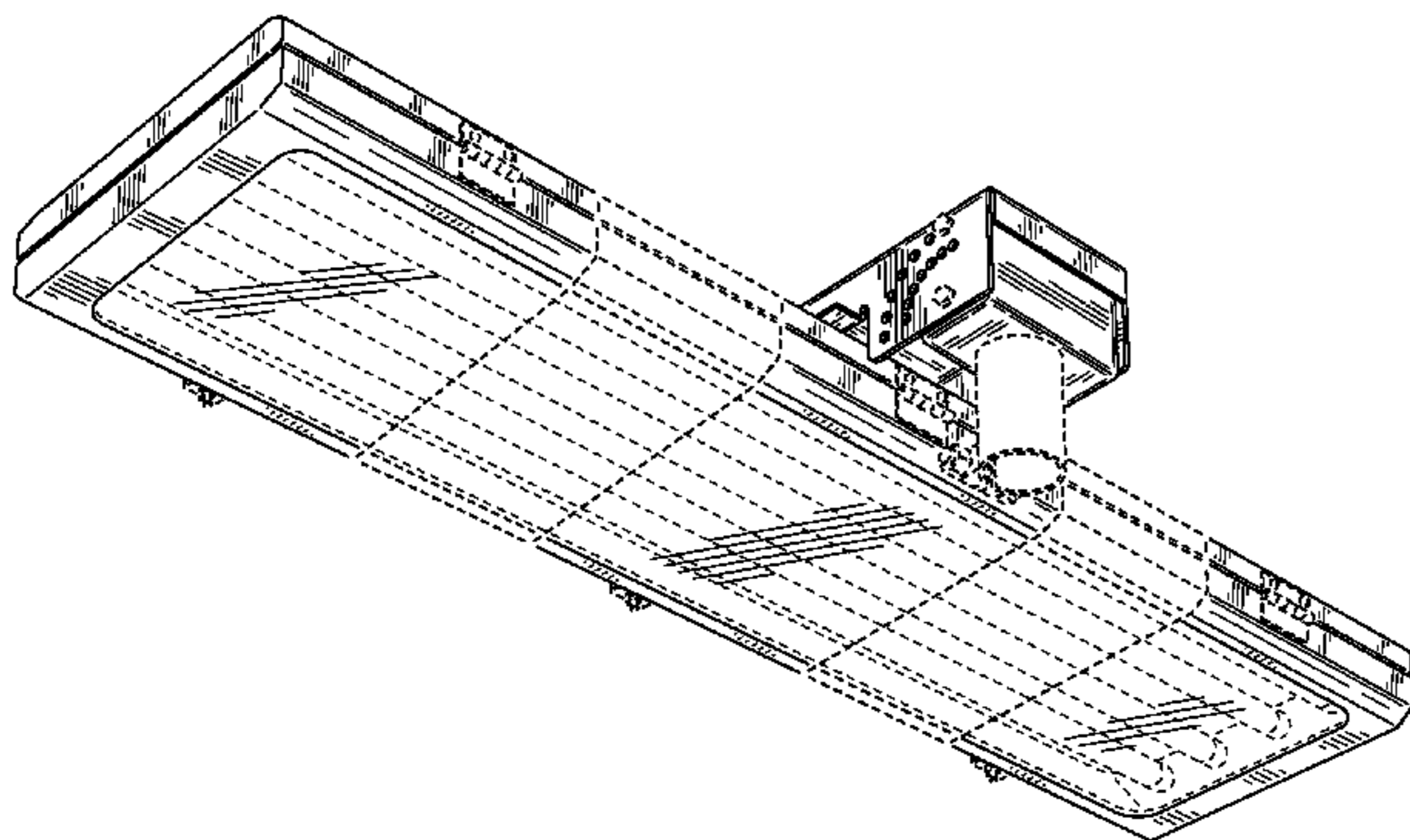
FIG. 13 is a front view of the embodiment shown in FIG. 8; and,

FIG. 14 is a rear view of the embodiment shown in FIG. 8.

The ornamental design which is claimed is shown in solid lines in the figures.

The broken lines illustrate portions of the lighting fixture which form no part of the claimed design.

1 Claim, 12 Drawing Sheets



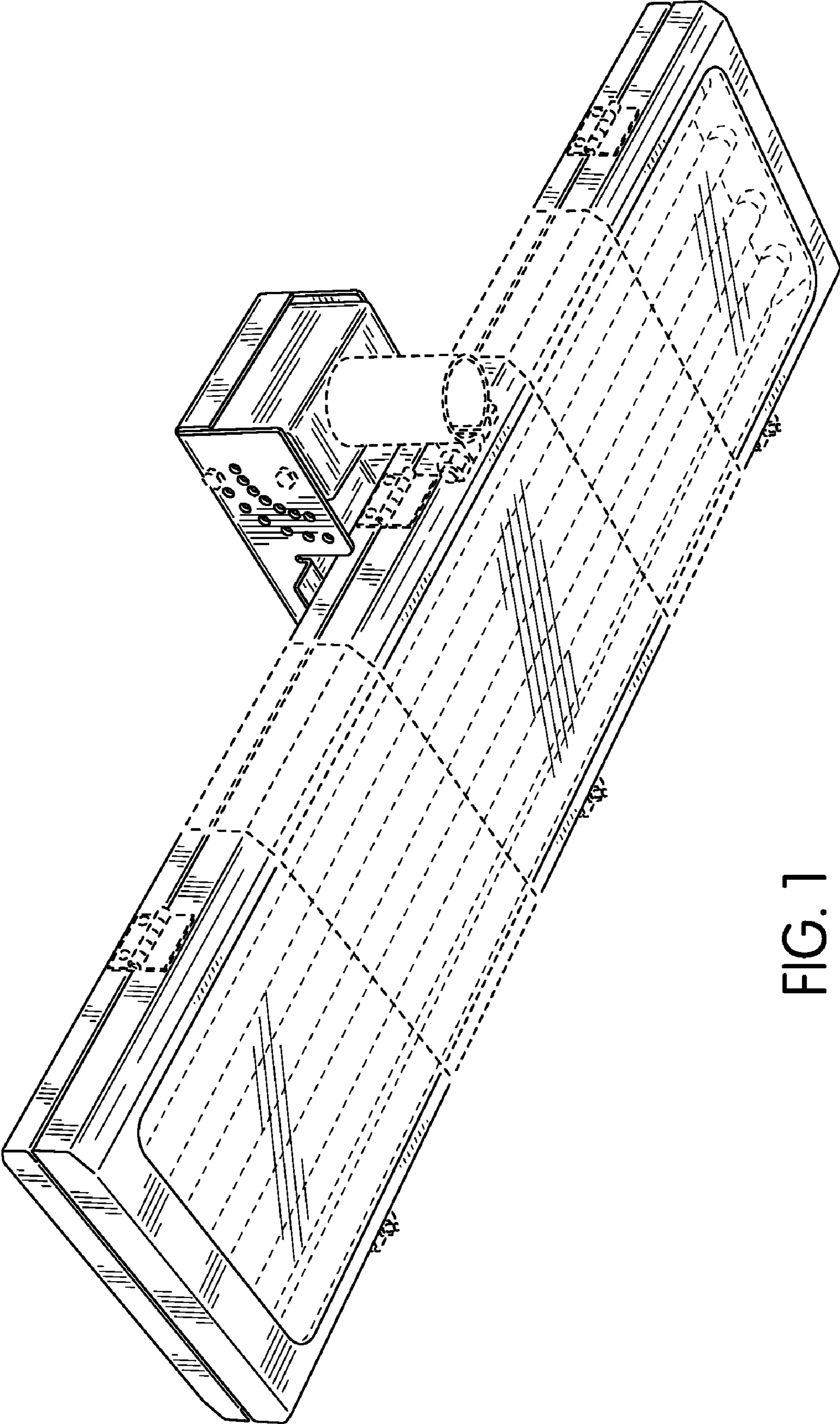


FIG. 1

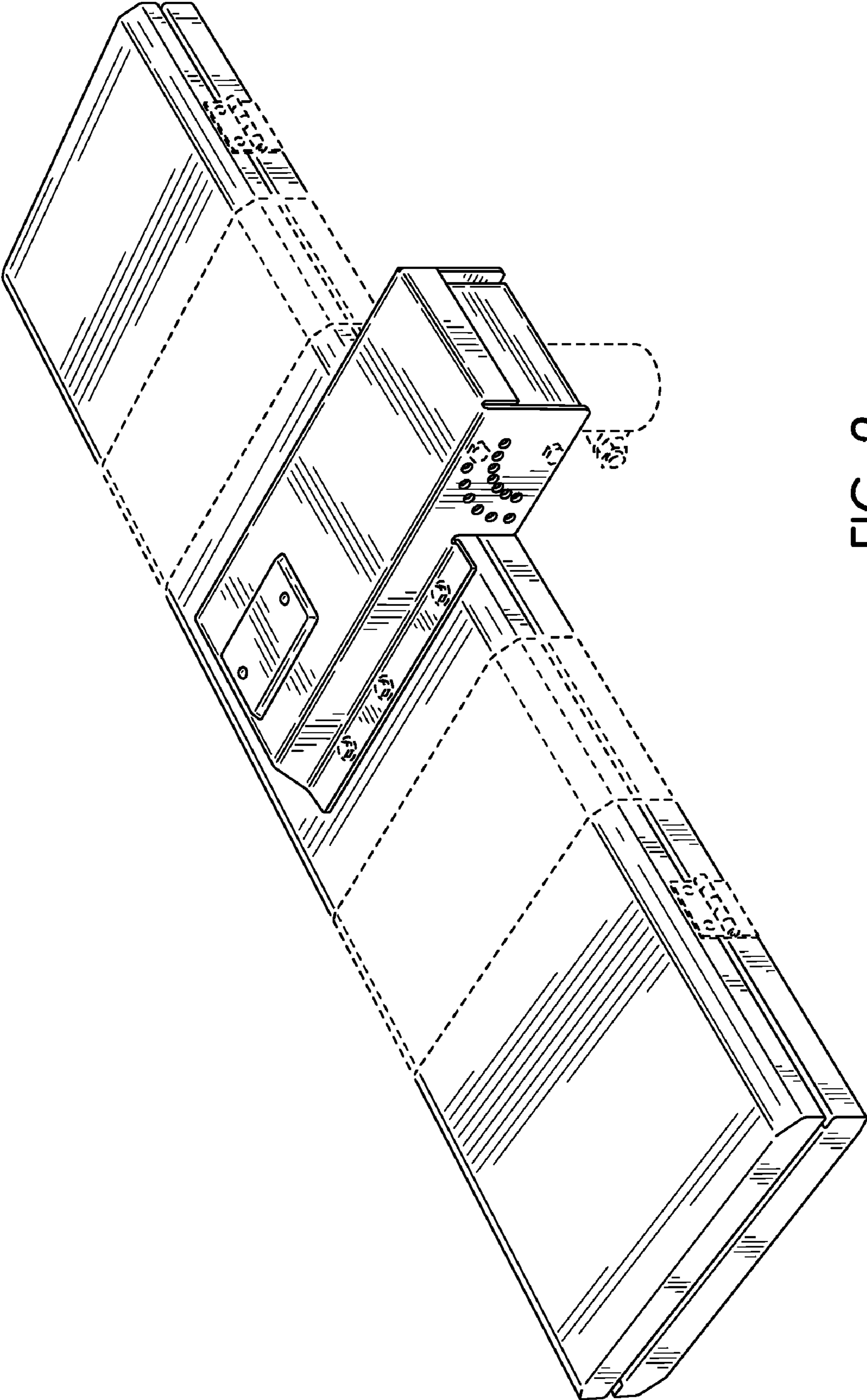


FIG. 2

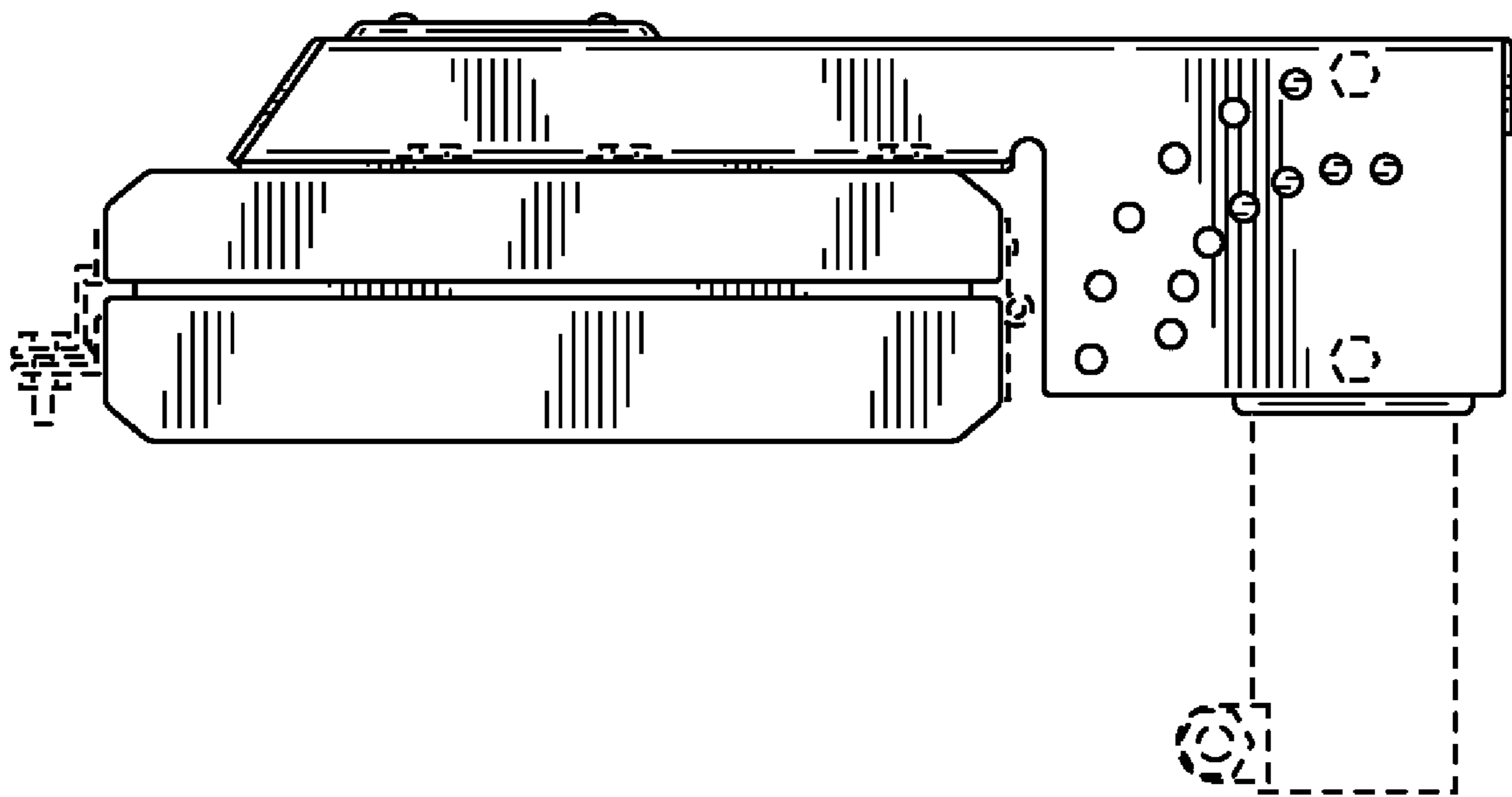


FIG. 3

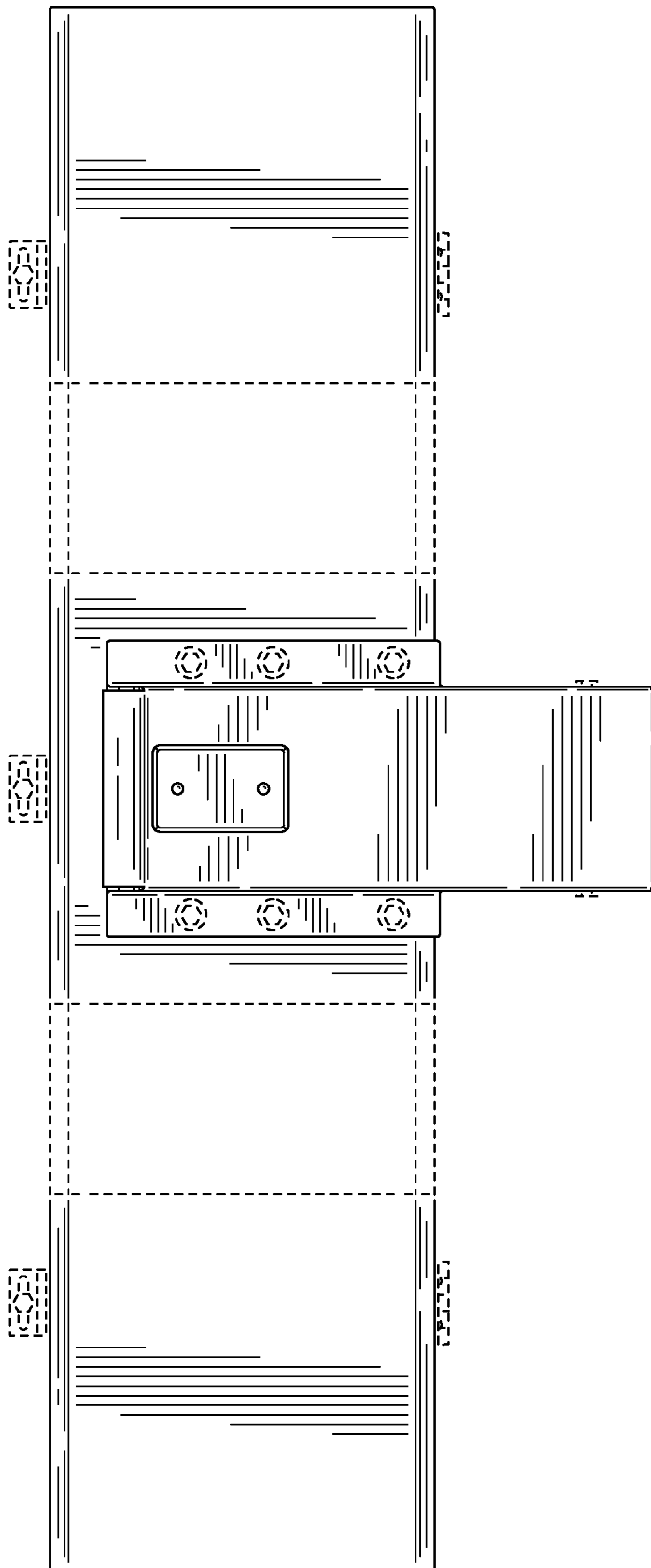


FIG. 4

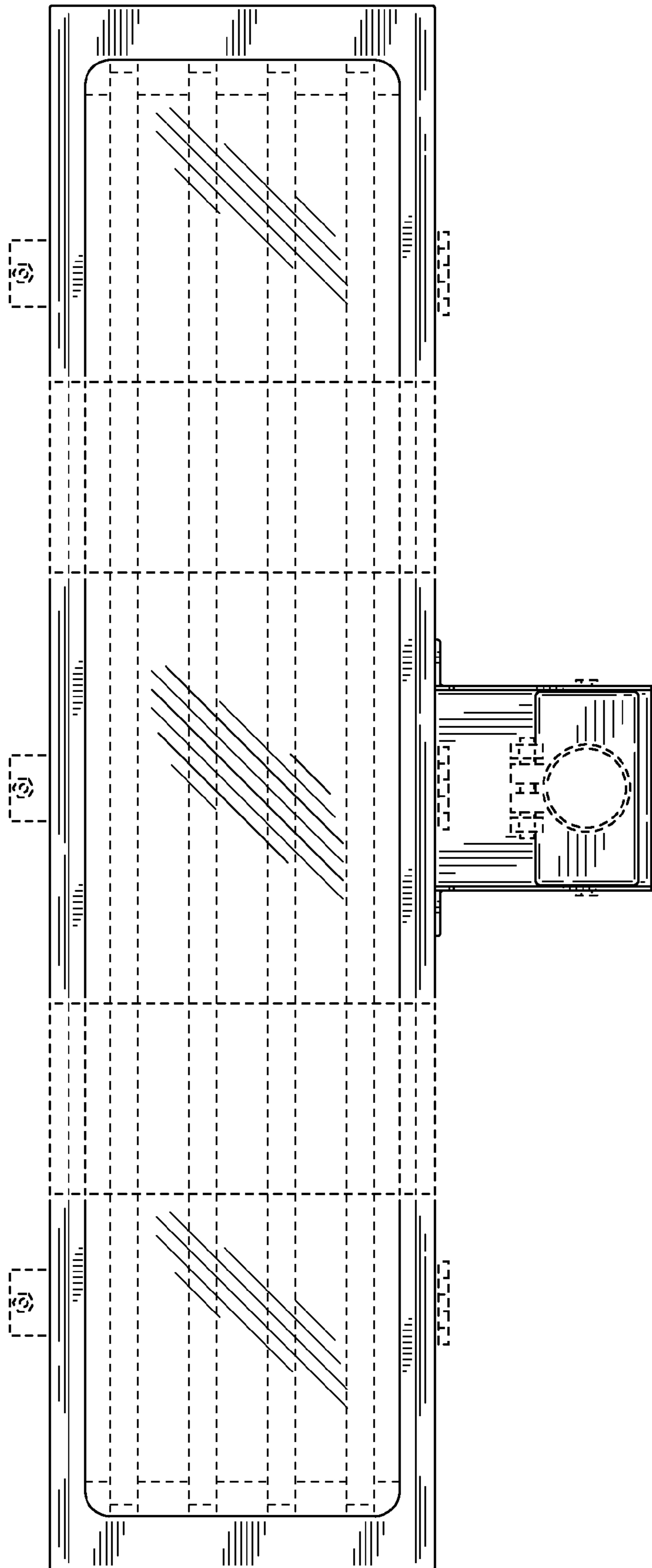


FIG. 5

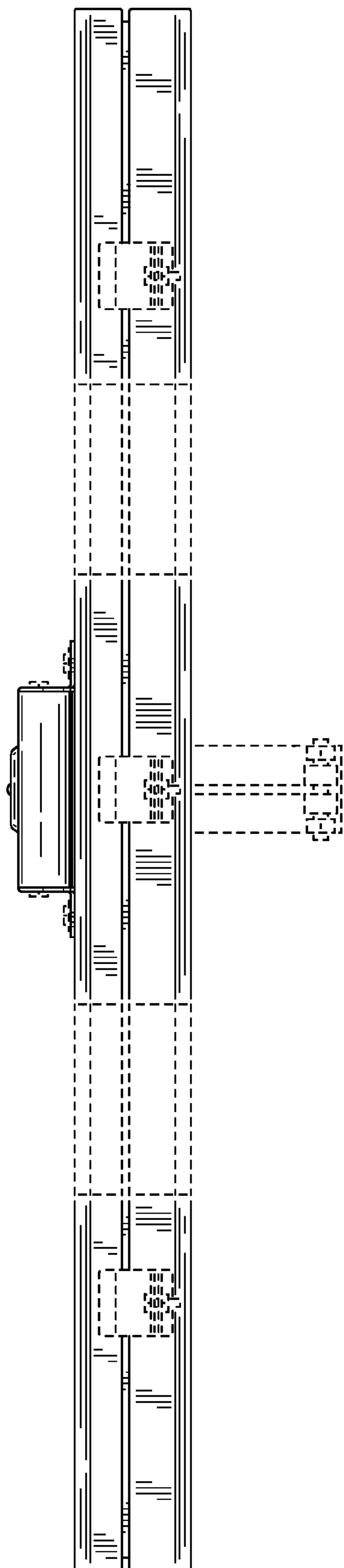


FIG. 6

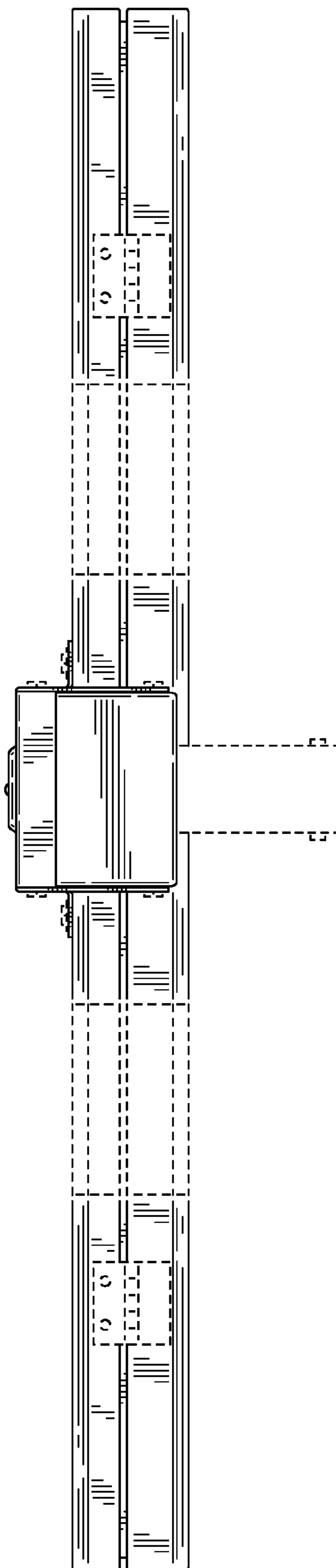


FIG. 7

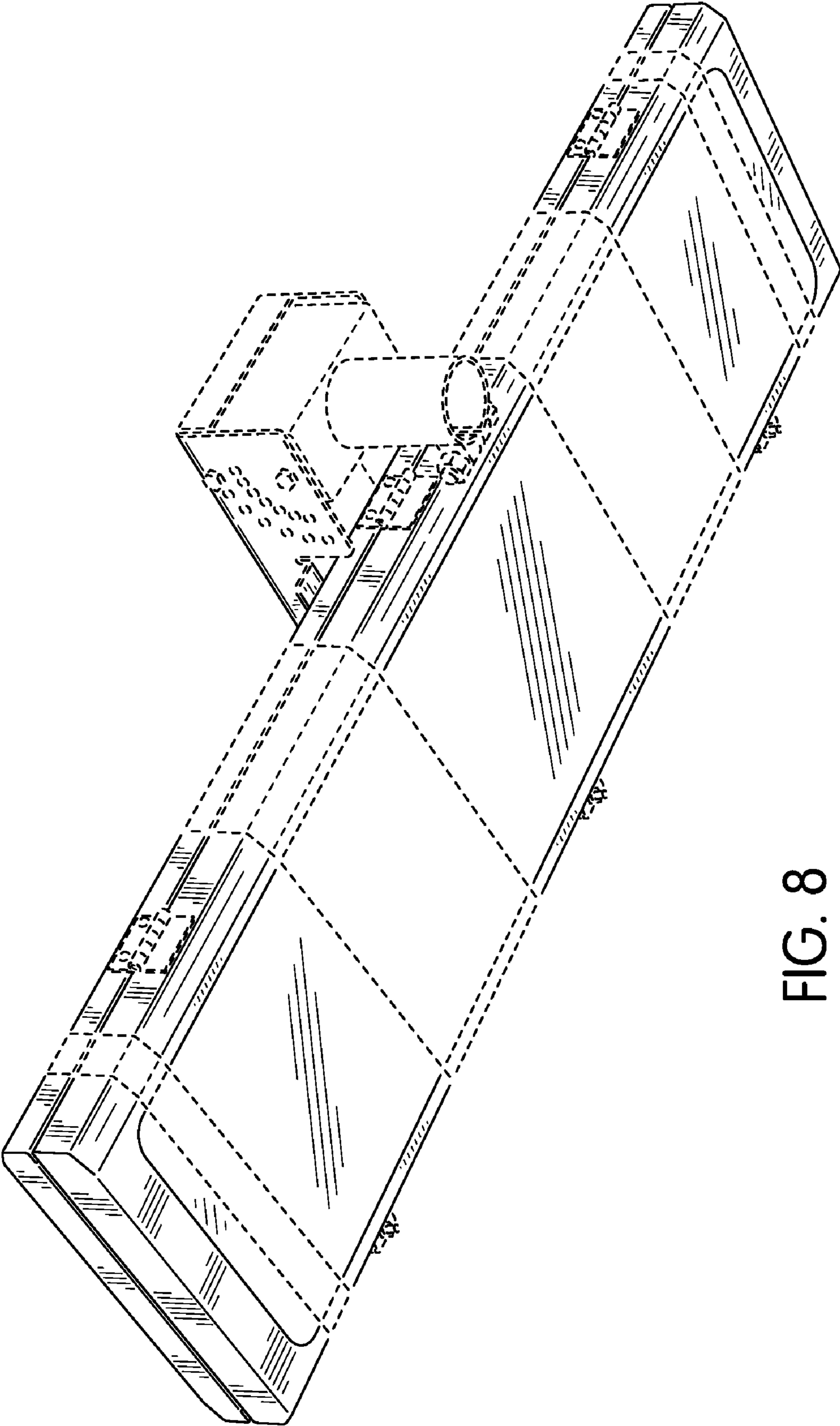


FIG. 8

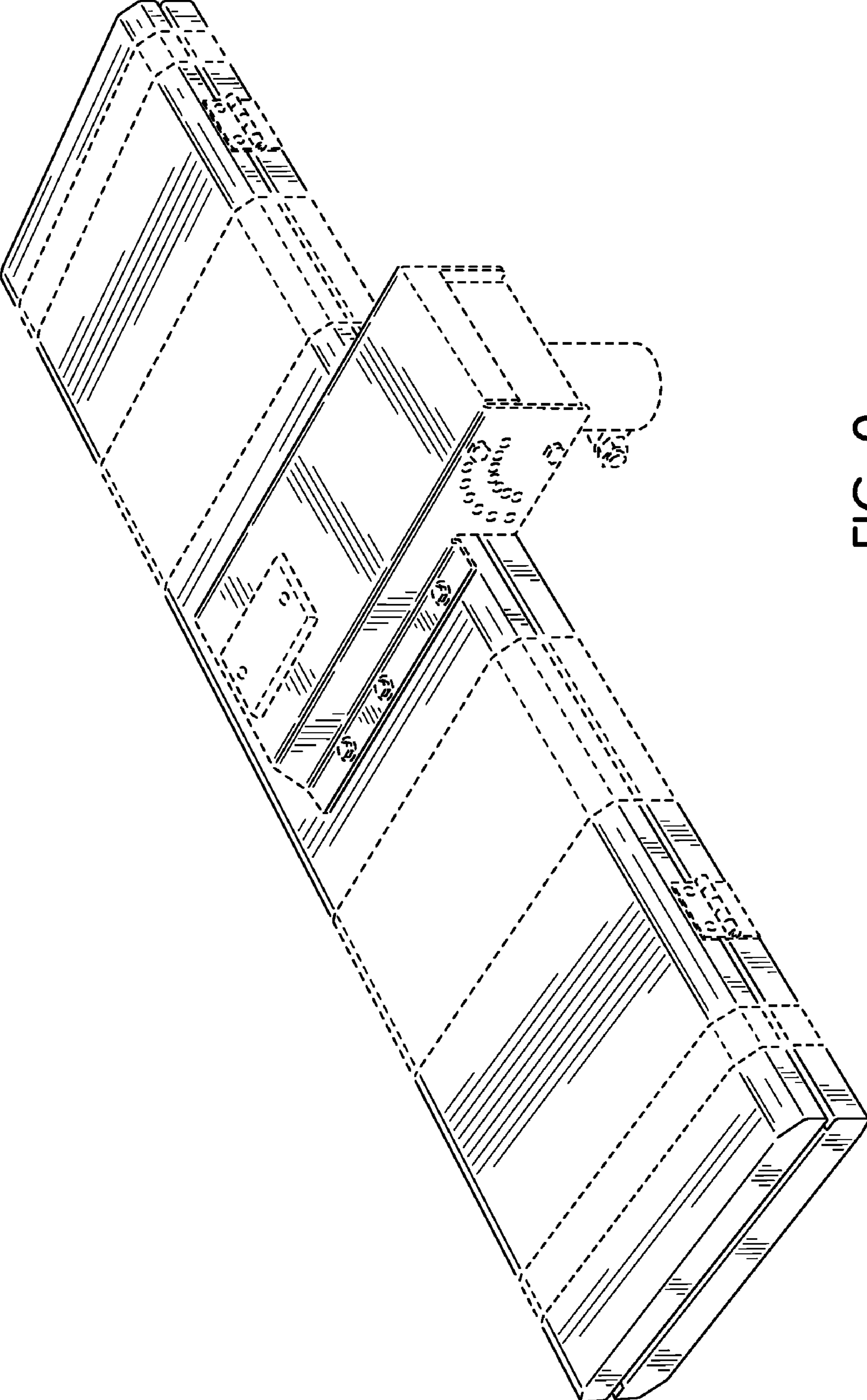


FIG. 9

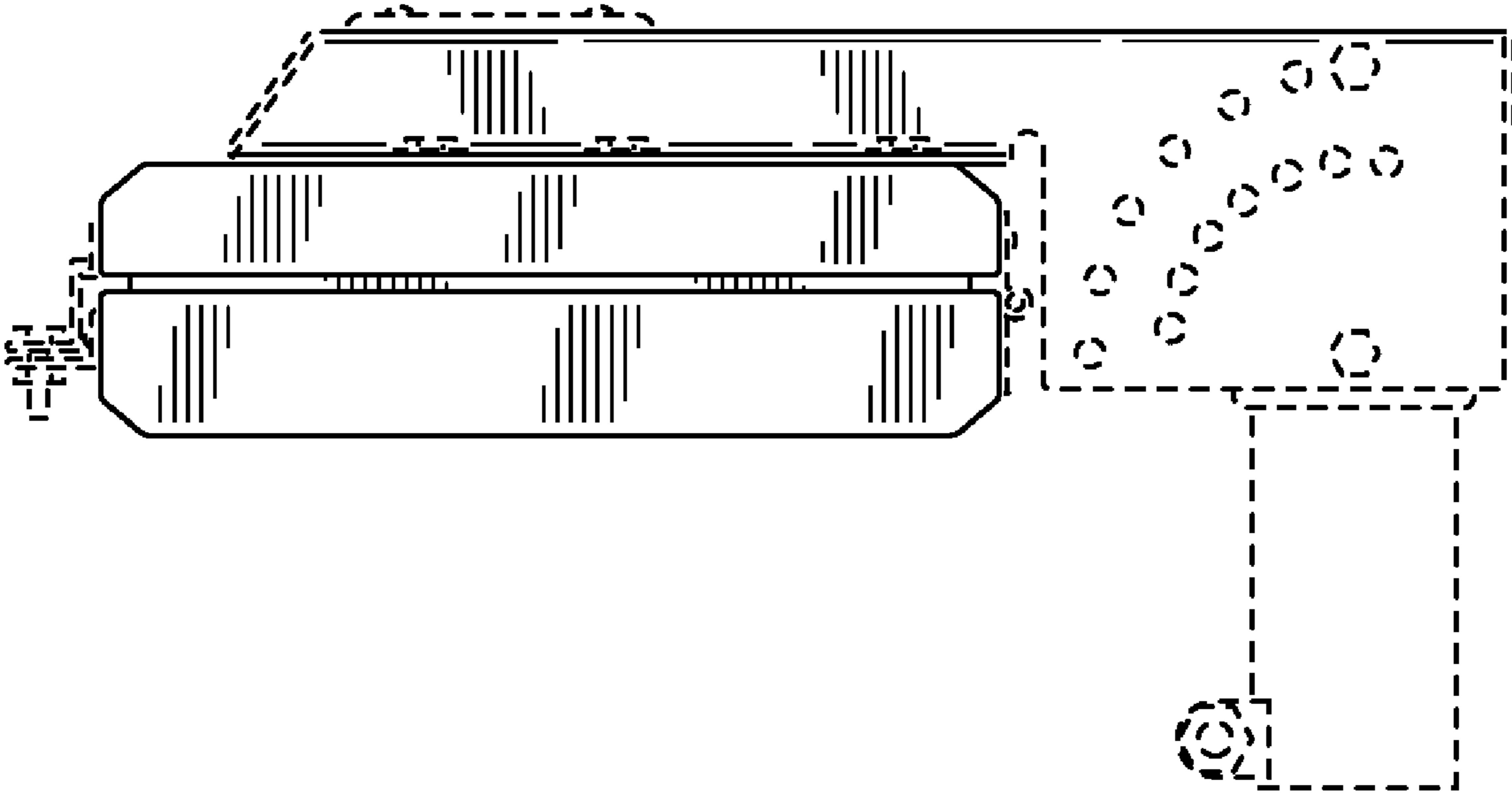


FIG.10

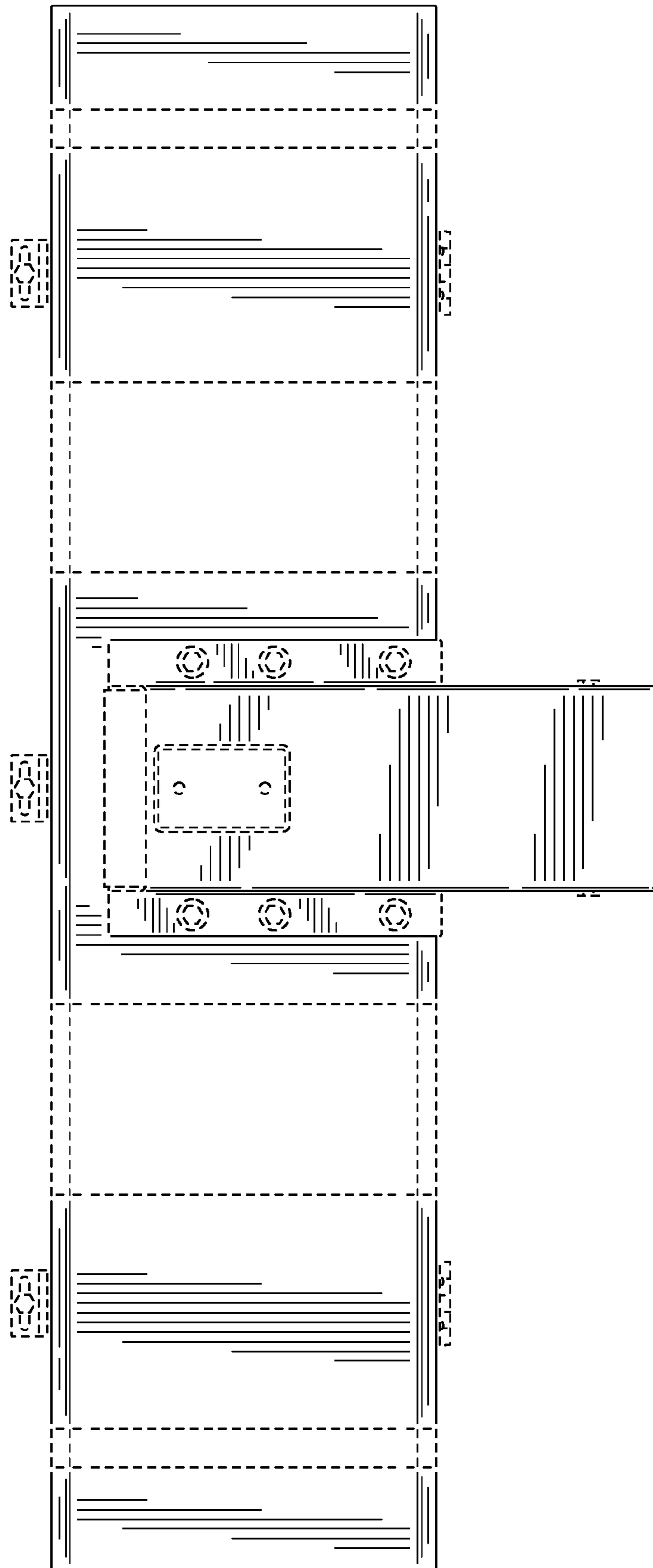


FIG. 11

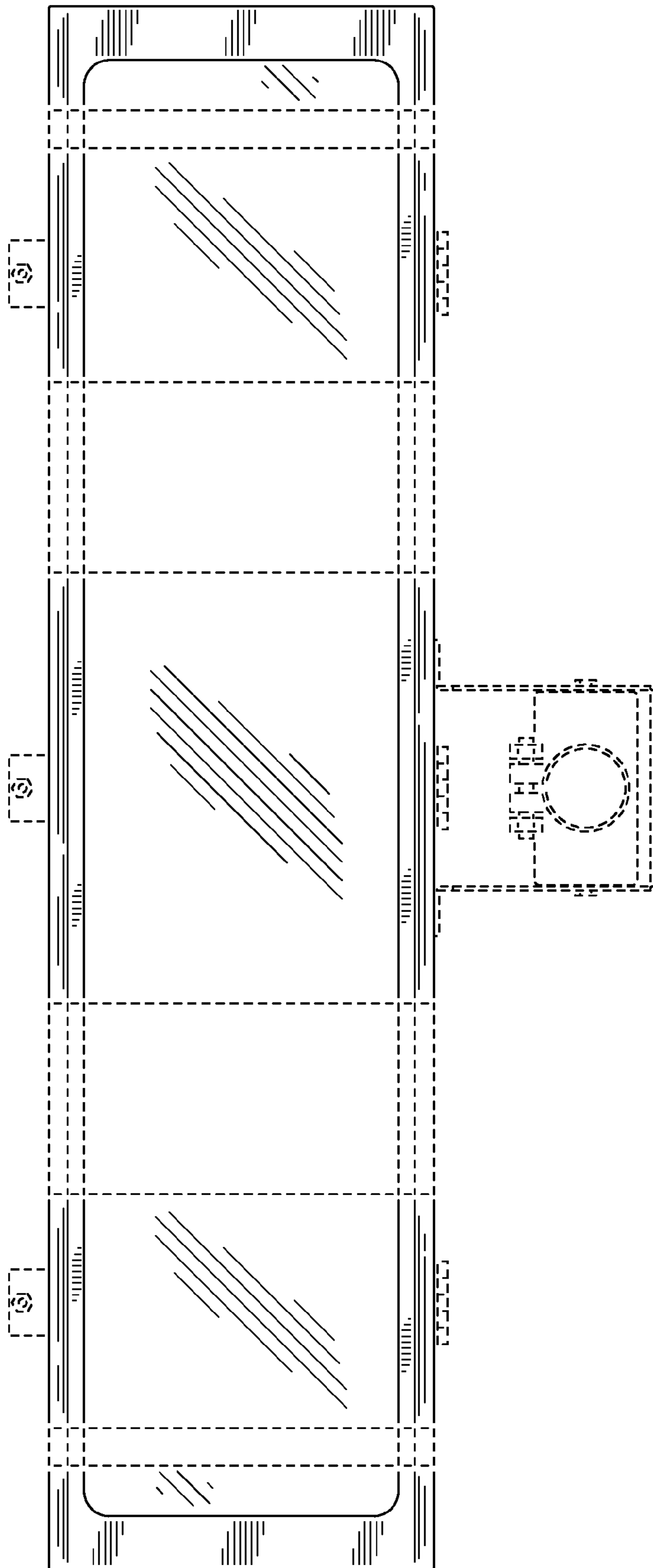


FIG. 12

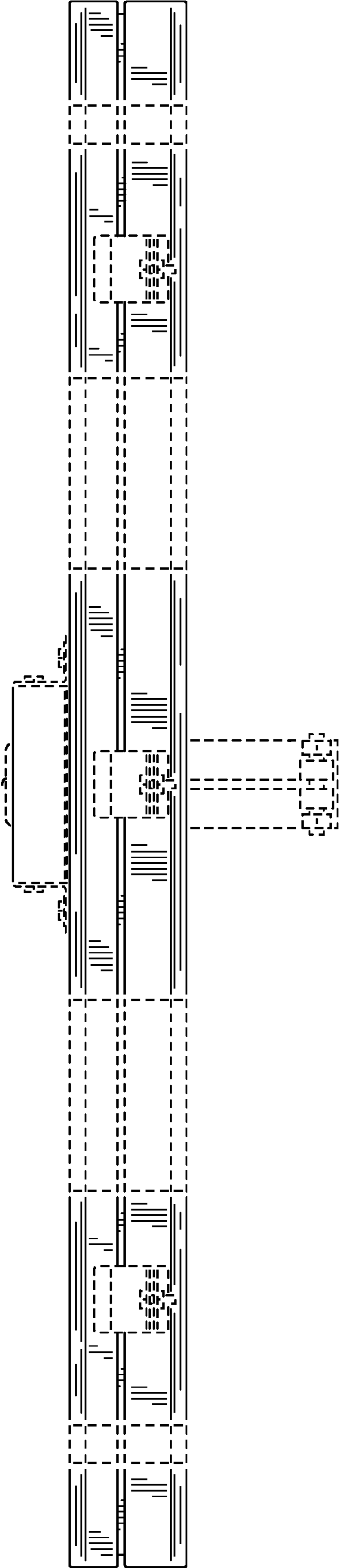


FIG. 13

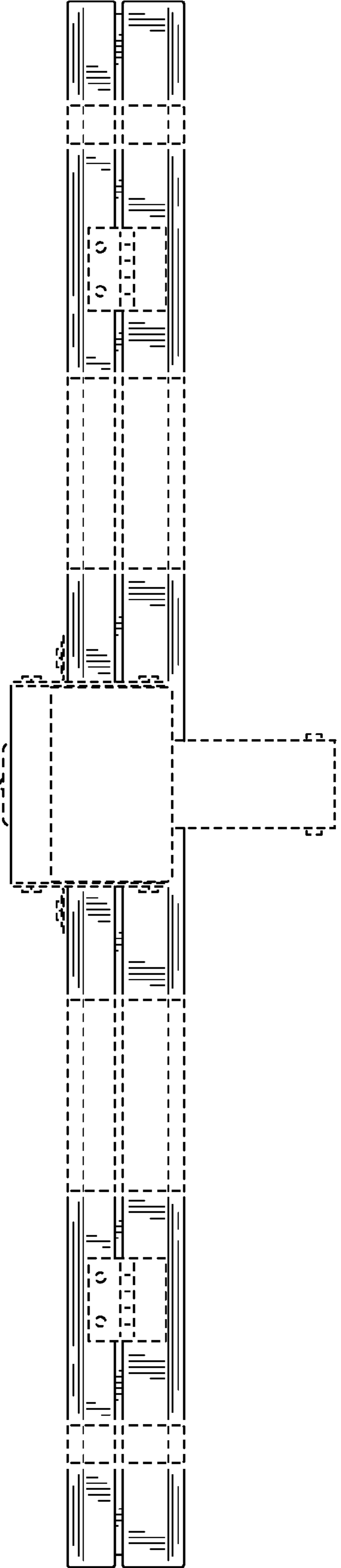


FIG. 14