



US00D606697S

(12) **United States Design Patent**
Verfuерth et al.

(10) **Patent No.:** **US D606,697 S**

(45) **Date of Patent:** **** Dec. 22, 2009**

(54) **LIGHTING FIXTURE**

(75) Inventors: **Neal R. Verfuерth**, Plymouth, WI (US);
Kenneth J. Wetenkamp, Plymouth, WI
(US); **Anthony J. Bartol**, Plymouth, WI
(US); **Ronald E. Ernst**, Waldo, WI (US)

(73) Assignee: **Orion Energy Systems, Inc.**,
Manitowoc, WI (US)

(**) Term: **14 Years**

(21) Appl. No.: **29/343,007**

(22) Filed: **Sep. 4, 2009**

(51) **LOC (9) Cl.** **26-03**

(52) **U.S. Cl.** **D26/76**

(58) **Field of Classification Search** D26/26,
D26/37, 67, 72, 74-79, 80, 85, 104, 108,
D26/118, 120, 122, 134; 362/147-148, 150,
362/217-255, 132, 260, 262-264, 267, 294,
362/345, 362, 364, 373, 376, 440

See application file for complete search history.

(56) **References Cited**

U.S. PATENT DOCUMENTS

D125,468 S *	2/1941	Dreyfuss	D26/24
D208,491 S *	9/1967	Brooks	D26/71
D209,982 S *	1/1968	Cohen	D26/24
5,649,759 A *	7/1997	Korte	362/659
D411,324 S *	6/1999	Roorda	D26/87
D411,326 S *	6/1999	Roorda	D26/87
D427,340 S *	6/2000	Beghelli	D26/24
D441,479 S *	5/2001	McCormick et al.	D26/72
D452,340 S *	12/2001	Pickett et al.	D26/76

D464,457 S *	10/2002	Echito	D26/76
D464,757 S *	10/2002	Echito	D26/75
D496,750 S *	9/2004	Waldmann	D26/78
D521,171 S *	5/2006	Skegin	D26/76
D563,019 S *	2/2008	Pfund	D26/72
D564,694 S *	3/2008	Southern, Jr.	D26/85
D565,234 S *	3/2008	Pfund et al.	D26/87
D576,330 S *	9/2008	Ruud et al.	D26/71
2005/0276049 A1 *	12/2005	Sun et al.	362/260

* cited by examiner

Primary Examiner—Philip S Hyder

Assistant Examiner—Susan E Krakower

(74) *Attorney, Agent, or Firm*—Foley & Lardner LLP

(57) **CLAIM**

We claim the ornamental design for a lighting fixture, as shown and described.

DESCRIPTION

FIG. 1 is a bottom perspective view of the claimed design;

FIG. 2 is a top perspective view of the claimed design;

FIG. 3 is a side view of the claimed design;

FIG. 4 is a top view of the claimed design;

FIG. 5 is a bottom view of the claimed design;

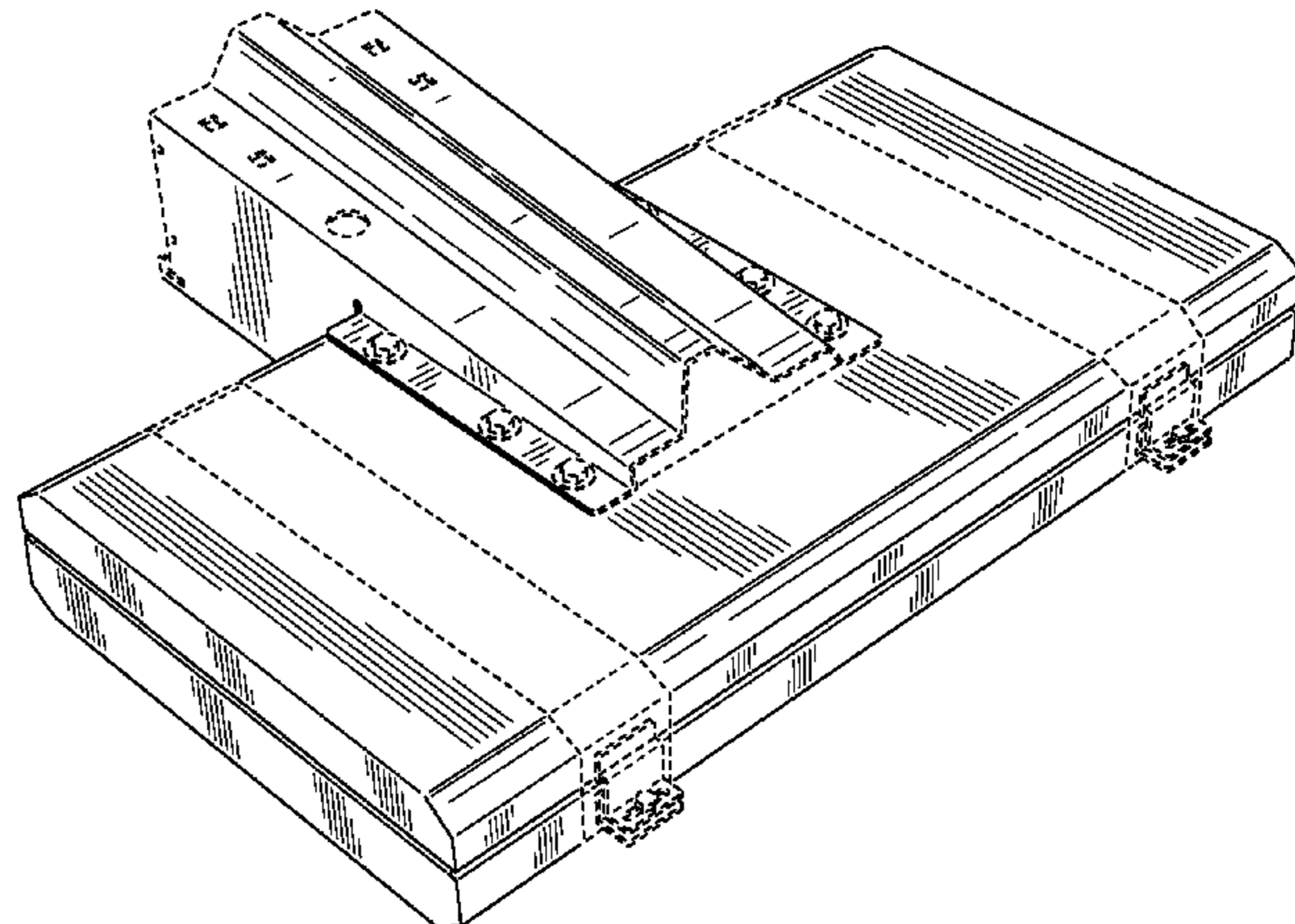
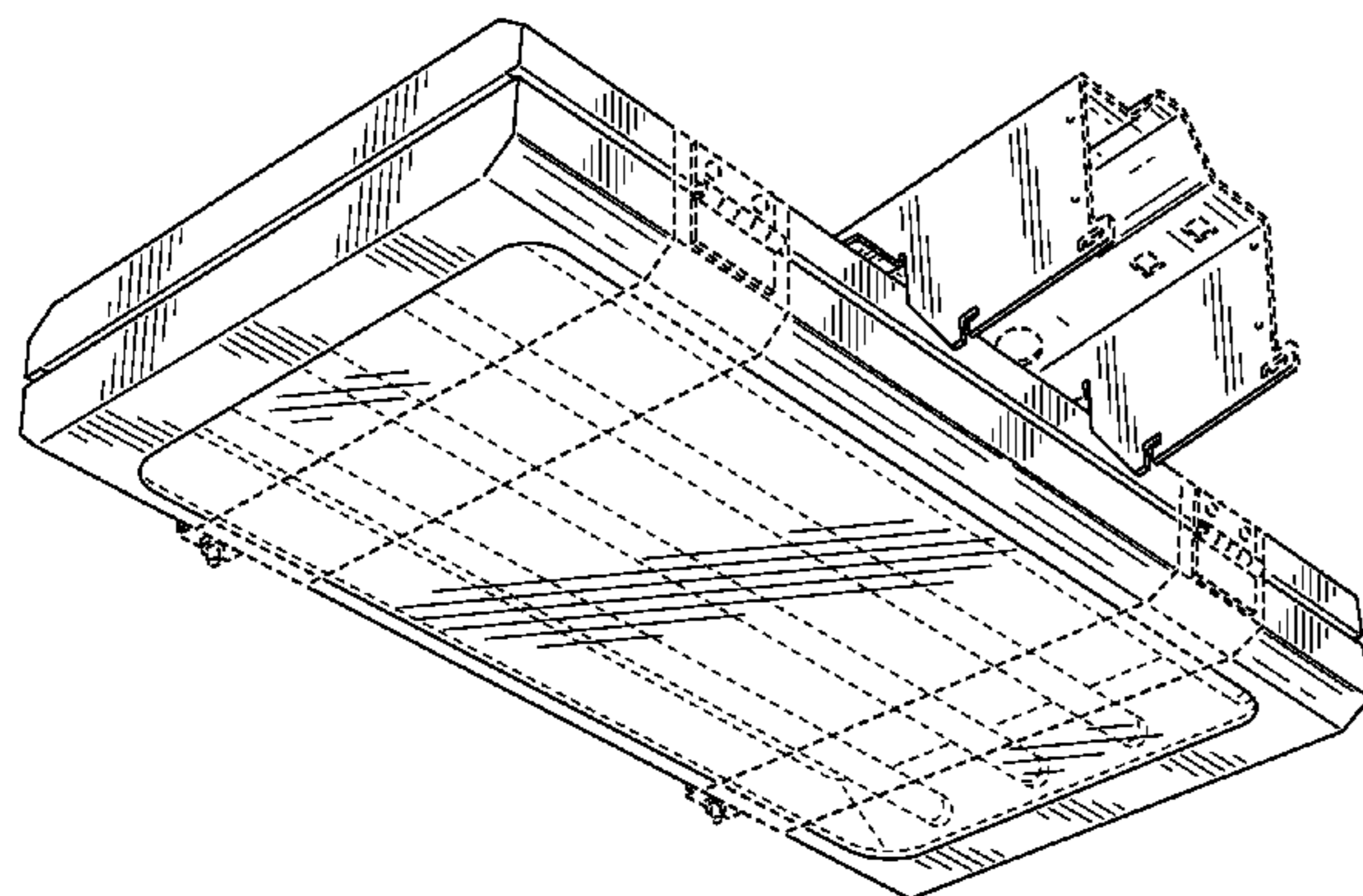
FIG. 6 is a front view of the claimed design; and,

FIG. 7 is a rear view of the claimed design.

The ornamental design which is claimed is shown in solid lines in the figures.

The broken lines illustrate portions of the lighting fixture which form no part of the claimed design.

1 Claim, 6 Drawing Sheets



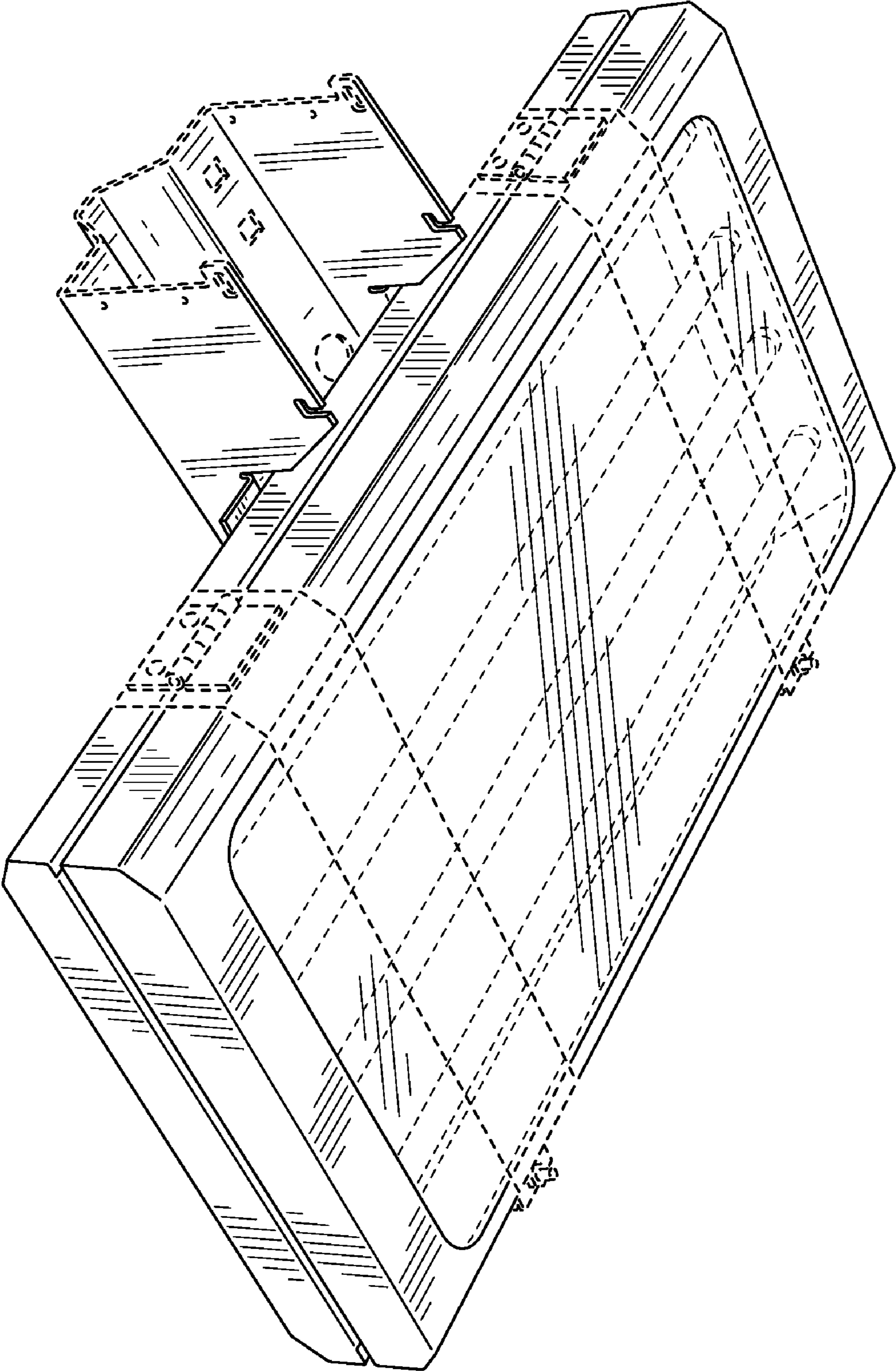


FIG. 1

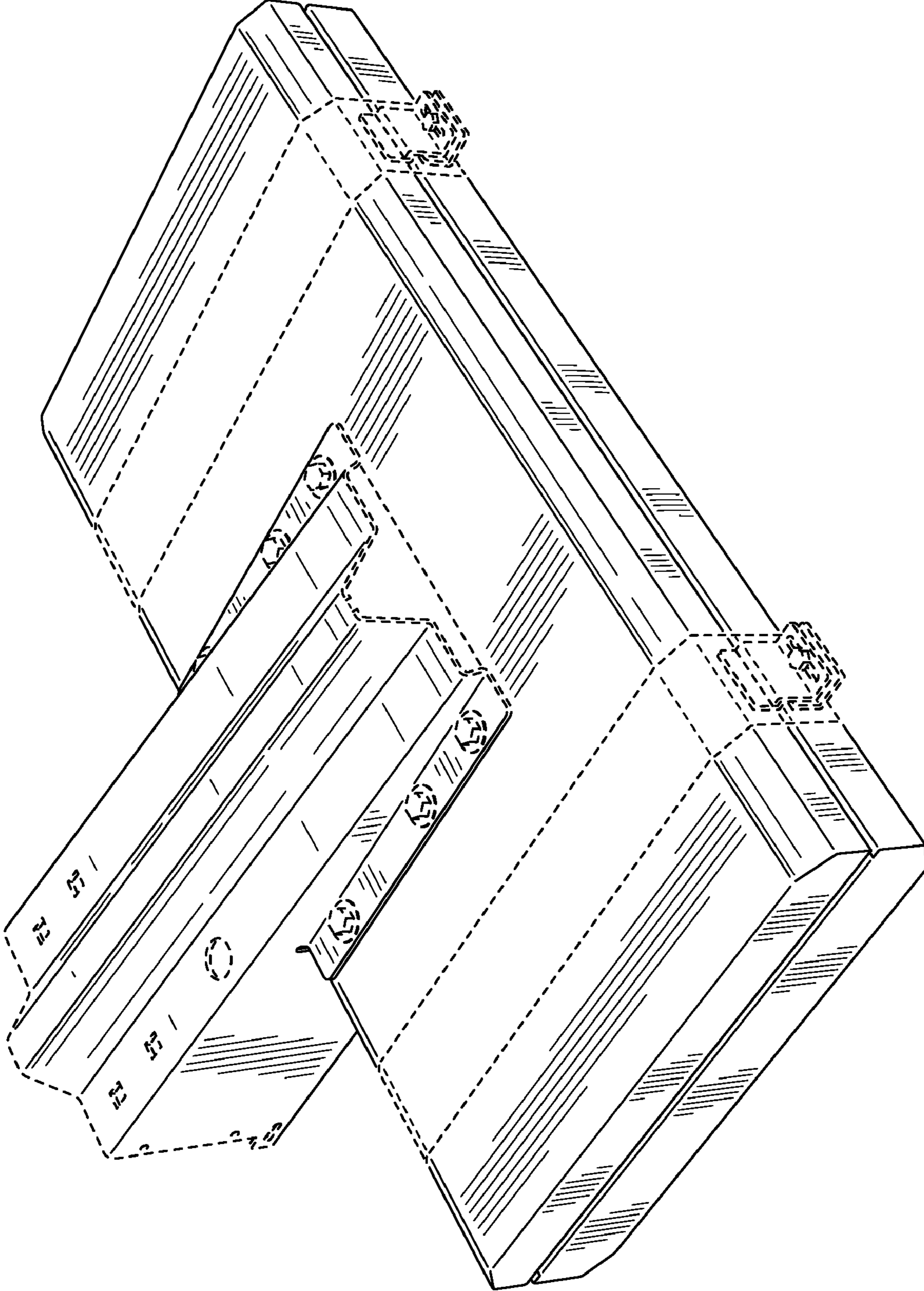


FIG. 2

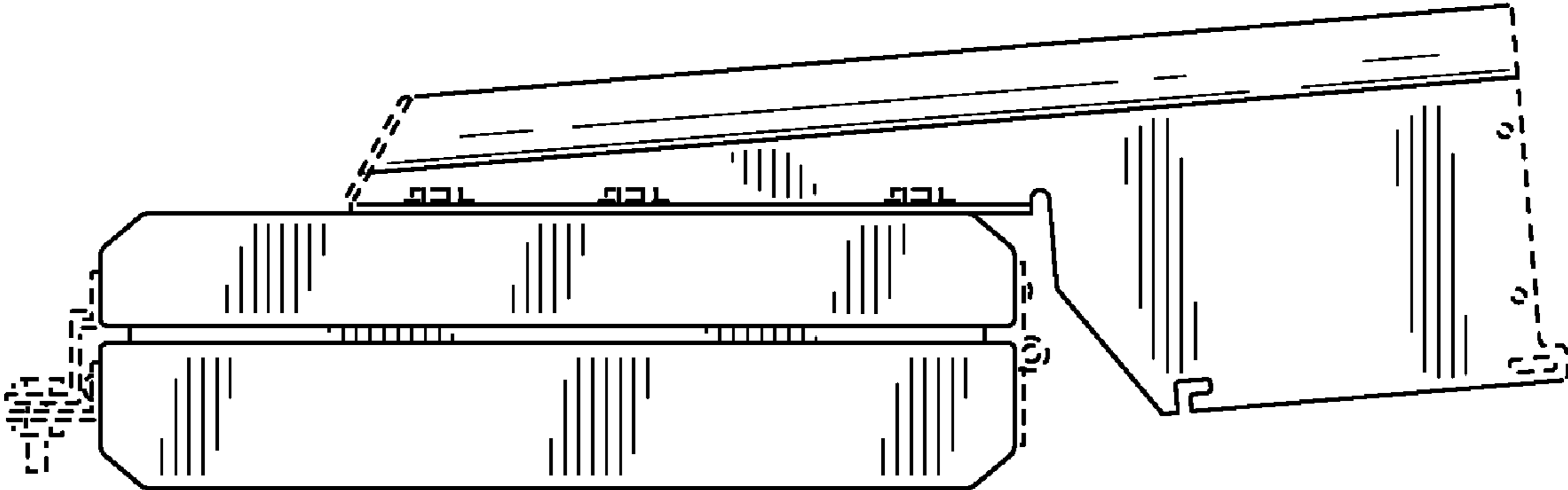


FIG. 3

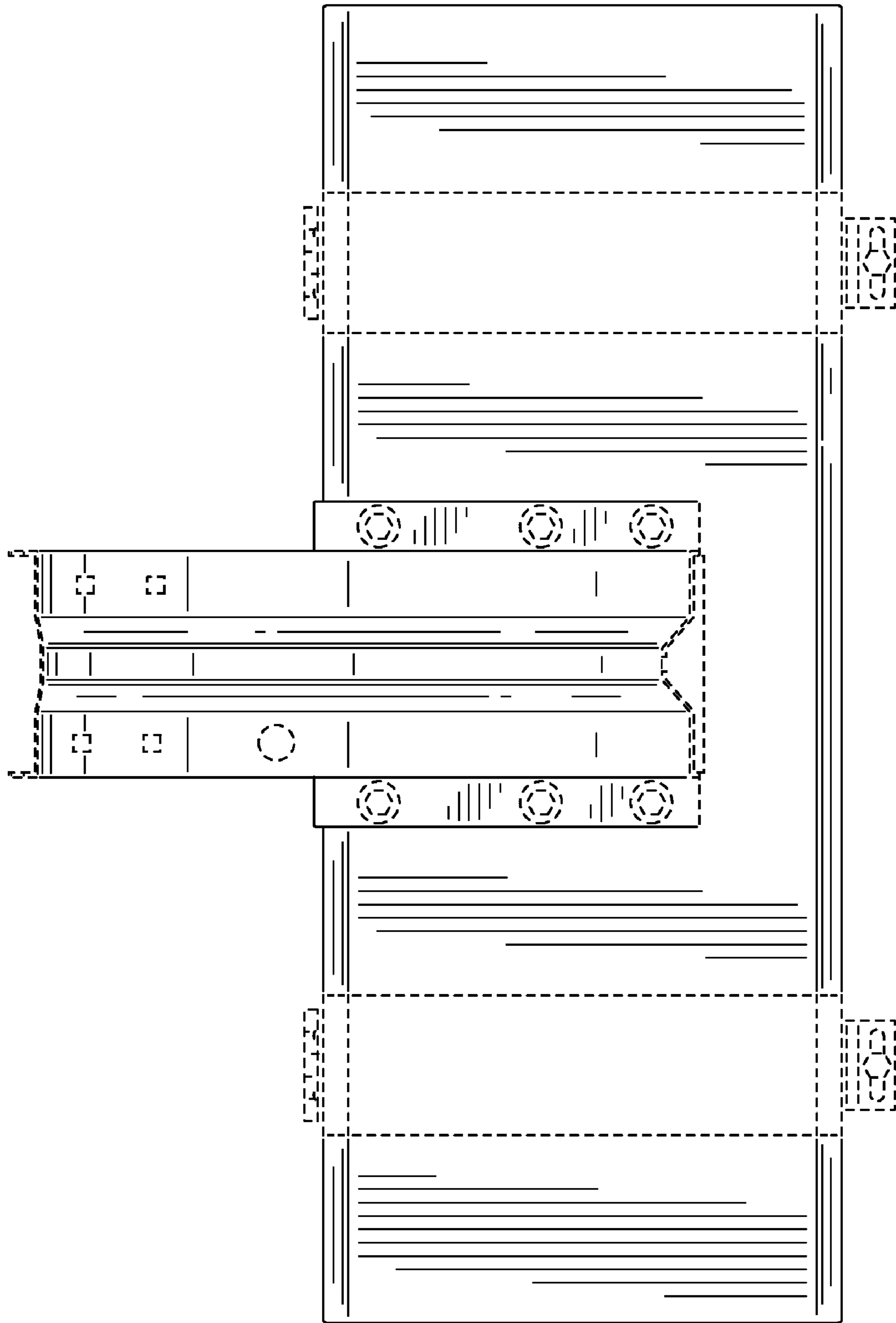


FIG. 4

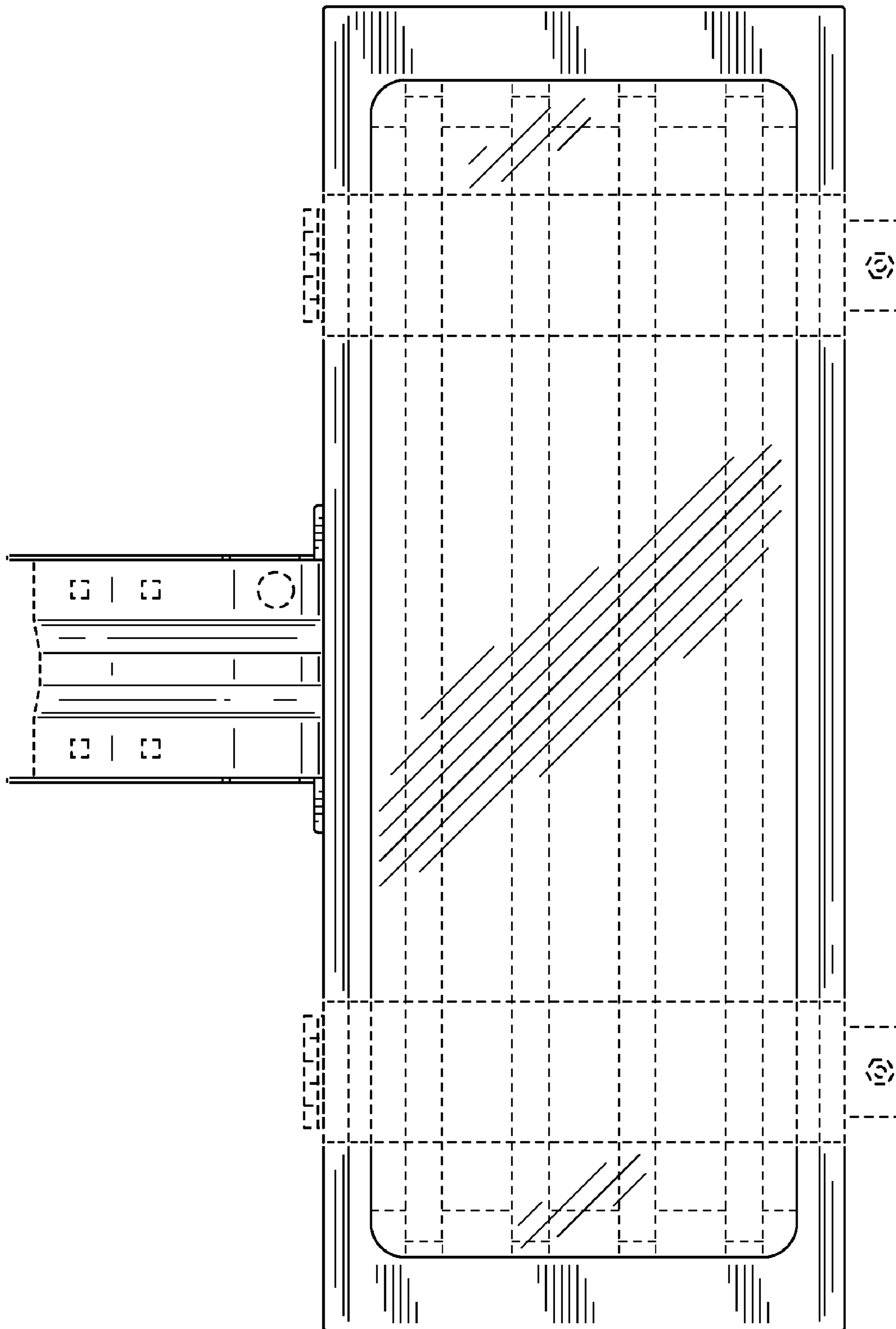


FIG. 5

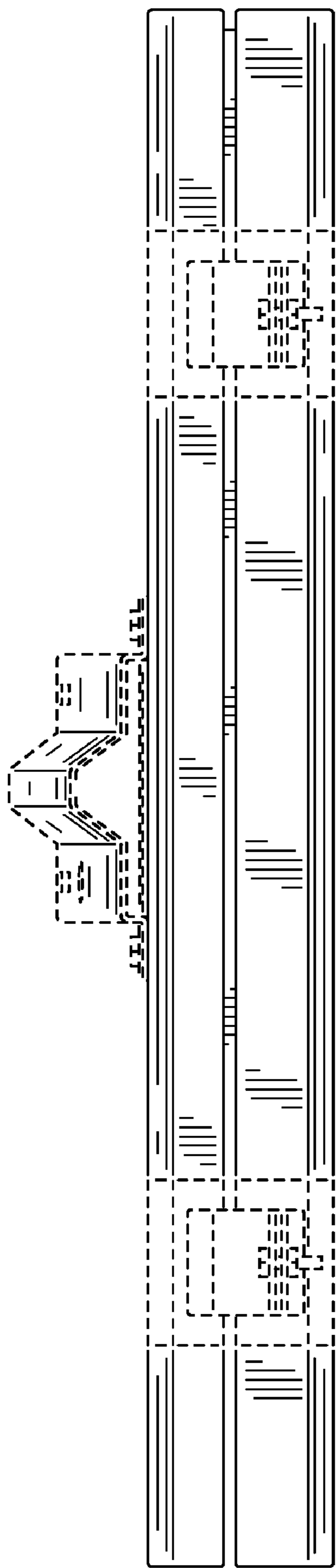


FIG. 6

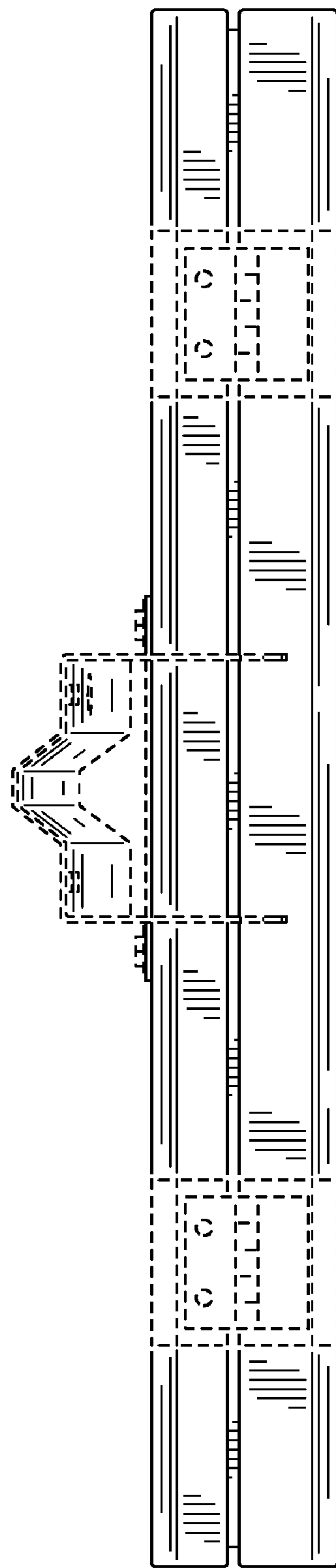


FIG. 7