



US00D606692S

(12) **United States Design Patent**
Waldmann

(10) **Patent No.:** **US D606,692 S**

(45) **Date of Patent:** **** Dec. 22, 2009**

(54) **TABLE LAMP**

(75) Inventor: **Gerhard Waldmann**, Dauchingen (DE)

(73) Assignee: **Herbert Waldmann GmbH & Co. KG**,
Villingen-Schwenningen (DE)

(**) Term: **14 Years**

(21) Appl. No.: **29/311,328**

(22) Filed: **Feb. 24, 2009**

(30) **Foreign Application Priority Data**

Sep. 3, 2008 (DE) 40 2008 004 188

(51) **LOC (9) Cl.** **26-05**

(52) **U.S. Cl.** **D26/65**

(58) **Field of Classification Search** D26/61-65,
D26/107; 362/269, 275, 285, 371, 410, 418,
362/419, 427

See application file for complete search history.

(56) **References Cited**

U.S. PATENT DOCUMENTS

D290,884 S * 7/1987 Sano et al. D26/65
D345,027 S * 3/1994 Huang D26/65
D385,052 S * 10/1997 Huang D26/60
D386,273 S * 11/1997 Yan D26/63
D428,179 S * 7/2000 Huang D26/65

D486,938 S * 2/2004 Waldmann D26/60
D488,248 S * 4/2004 Toyoaki et al. D26/65
D528,691 S * 9/2006 Waldmann D26/65
D557,436 S * 12/2007 Iai et al. D26/63
D568,520 S * 5/2008 Castellucci et al. D26/65
D590,534 S * 4/2009 Levine D26/62
D590,976 S * 4/2009 Levine D26/60
2006/0139936 A1 * 6/2006 Lin 362/410

* cited by examiner

Primary Examiner—Clare E Heflin

(74) *Attorney, Agent, or Firm*—The Nath Law Group; Jerald L. Meyer; Jiaxiao Zhang

(57) **CLAIM**

The ornamental design for a table lamp, as shown and described.

DESCRIPTION

FIG. 1 is a perspective view of the table lamp

FIG. 2 is a left side view of the table lamp

FIG. 3 is a front view of the table lamp

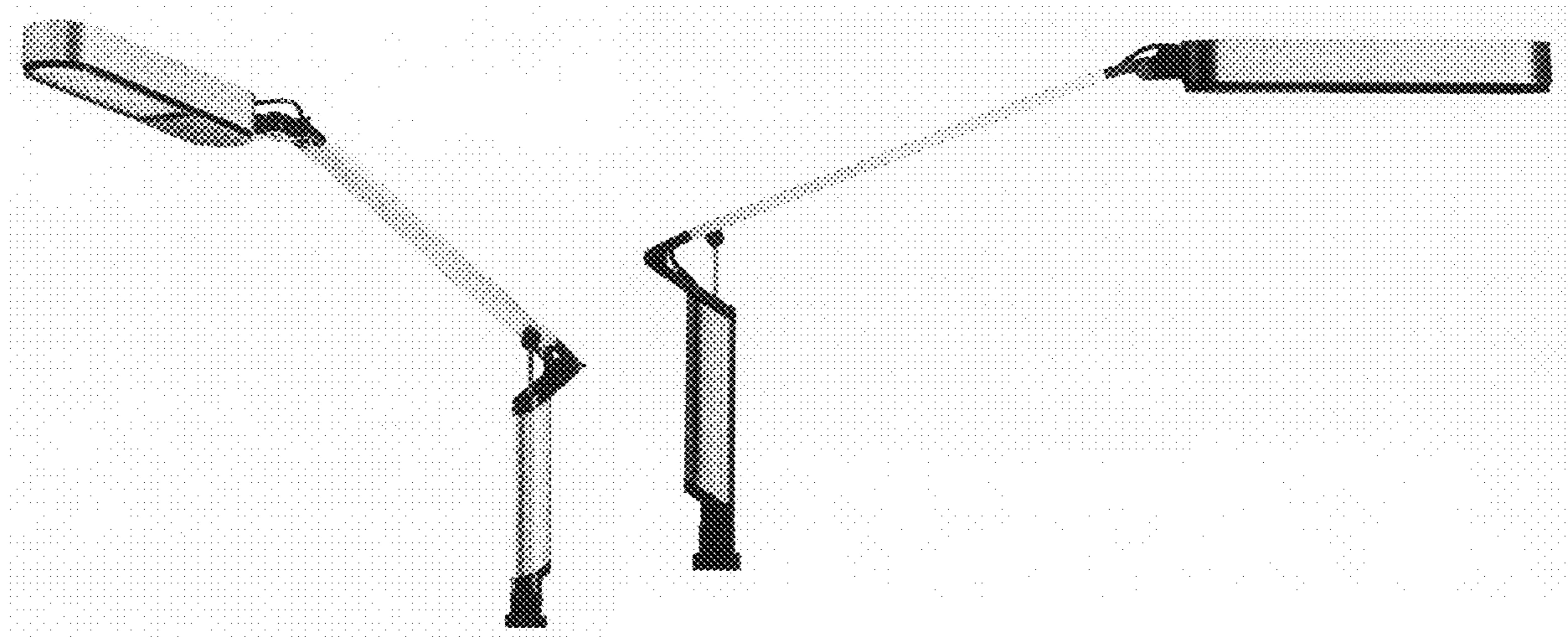
FIG. 4 is a right side view of the table lamp

FIG. 5 is a rear view of the table lamp

FIG. 6 is a upper view of the table lamp; and,

FIG. 7 is a bottom view of the table lamp

1 Claim, 7 Drawing Sheets



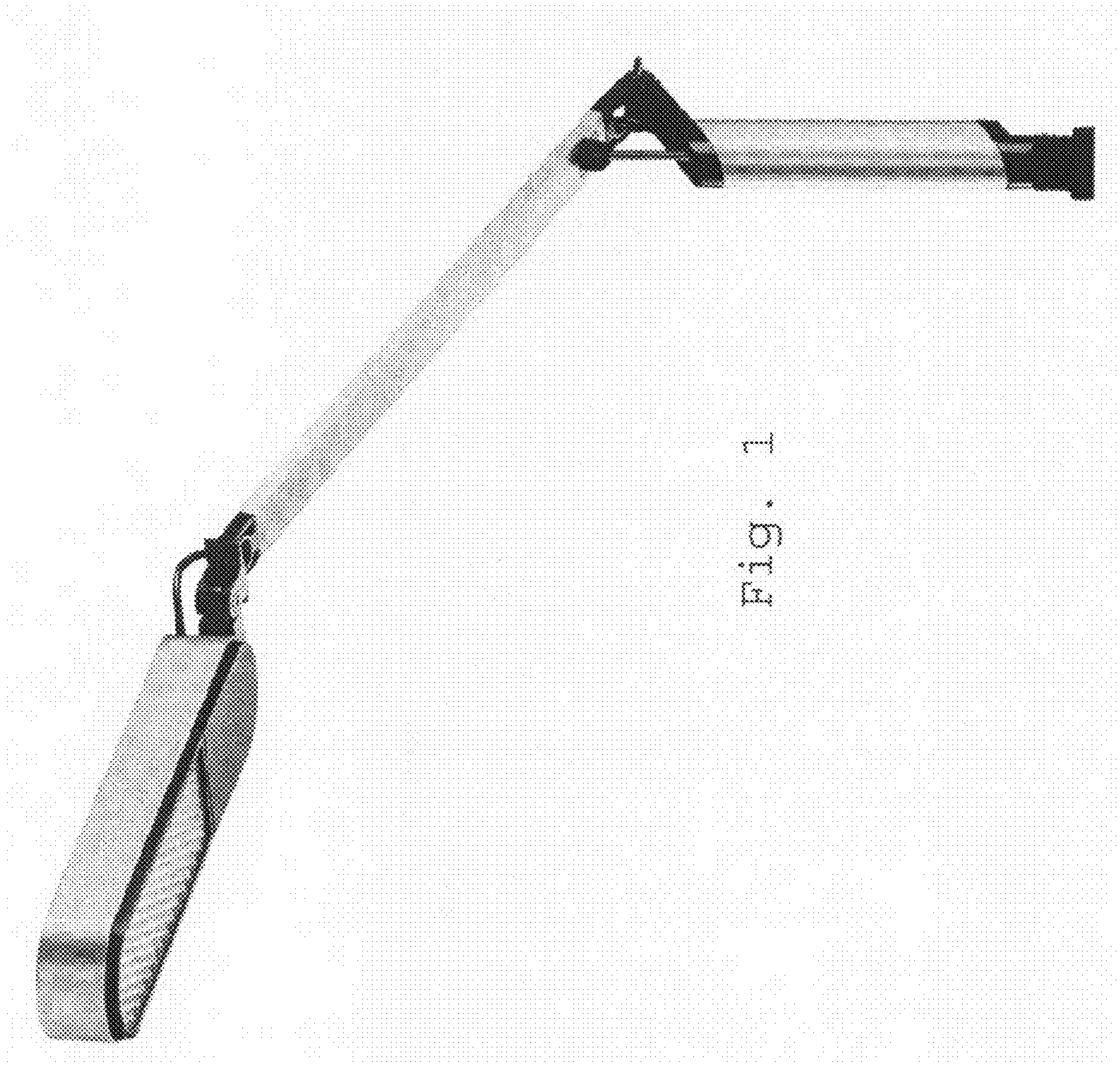


Fig. 1

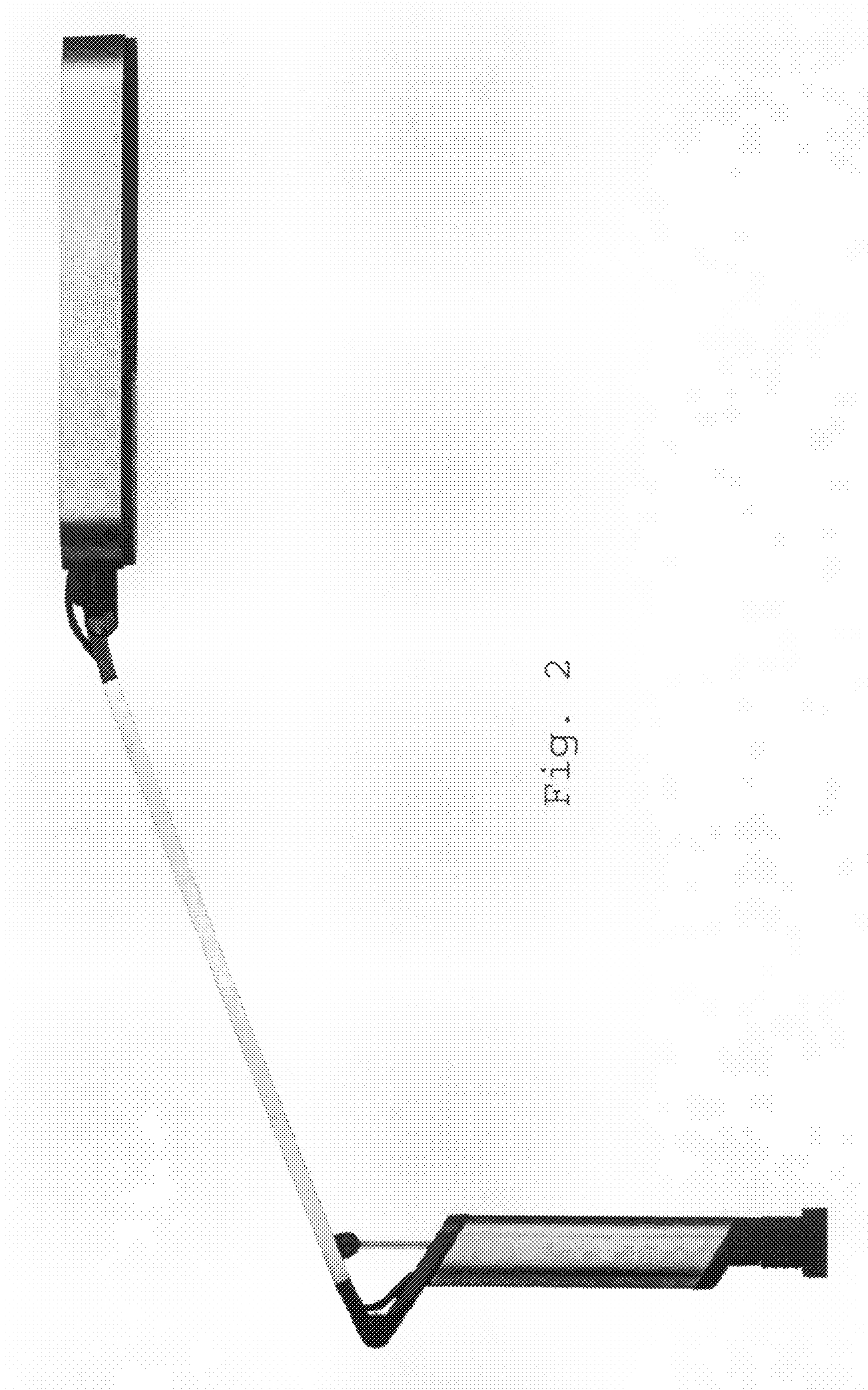
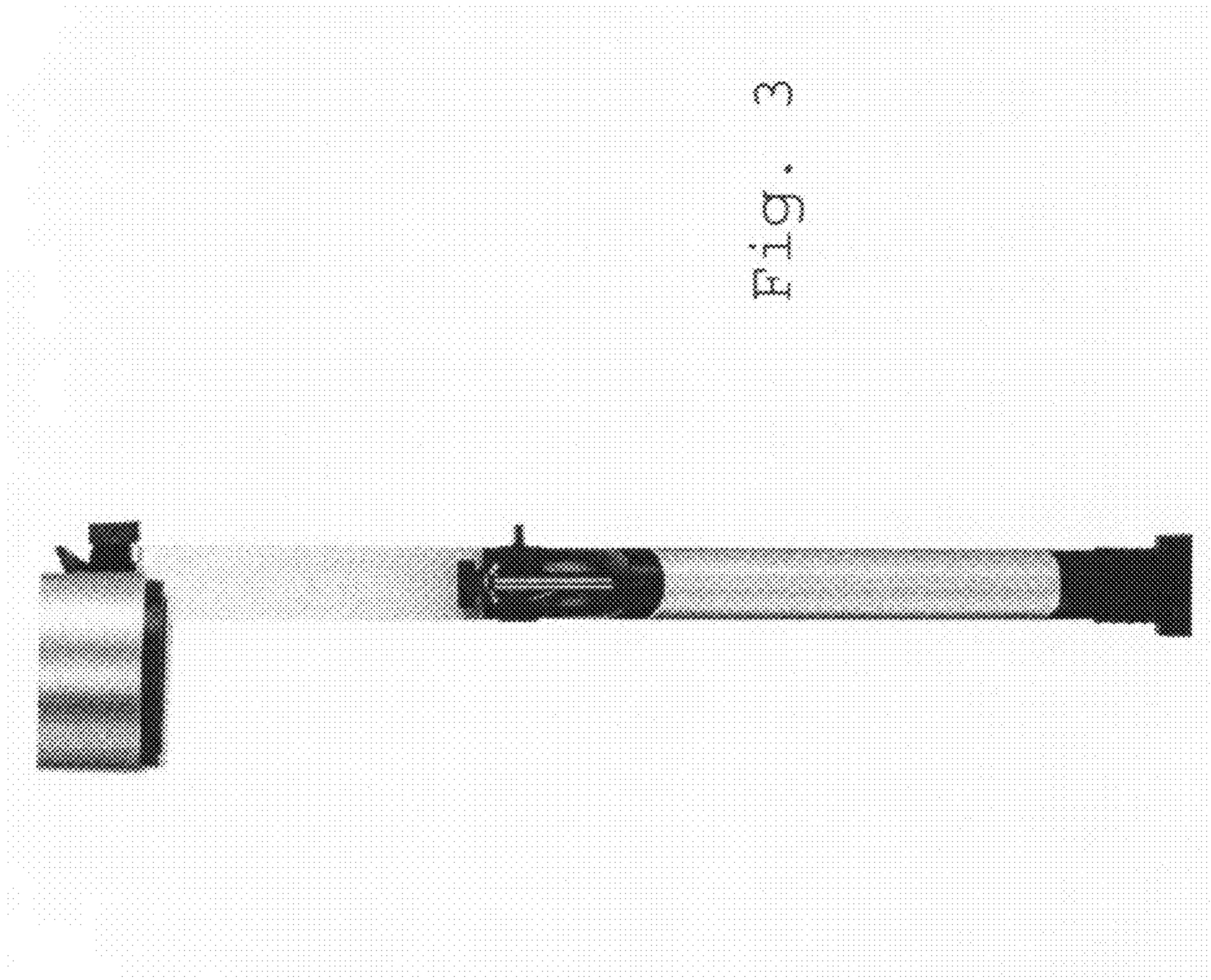
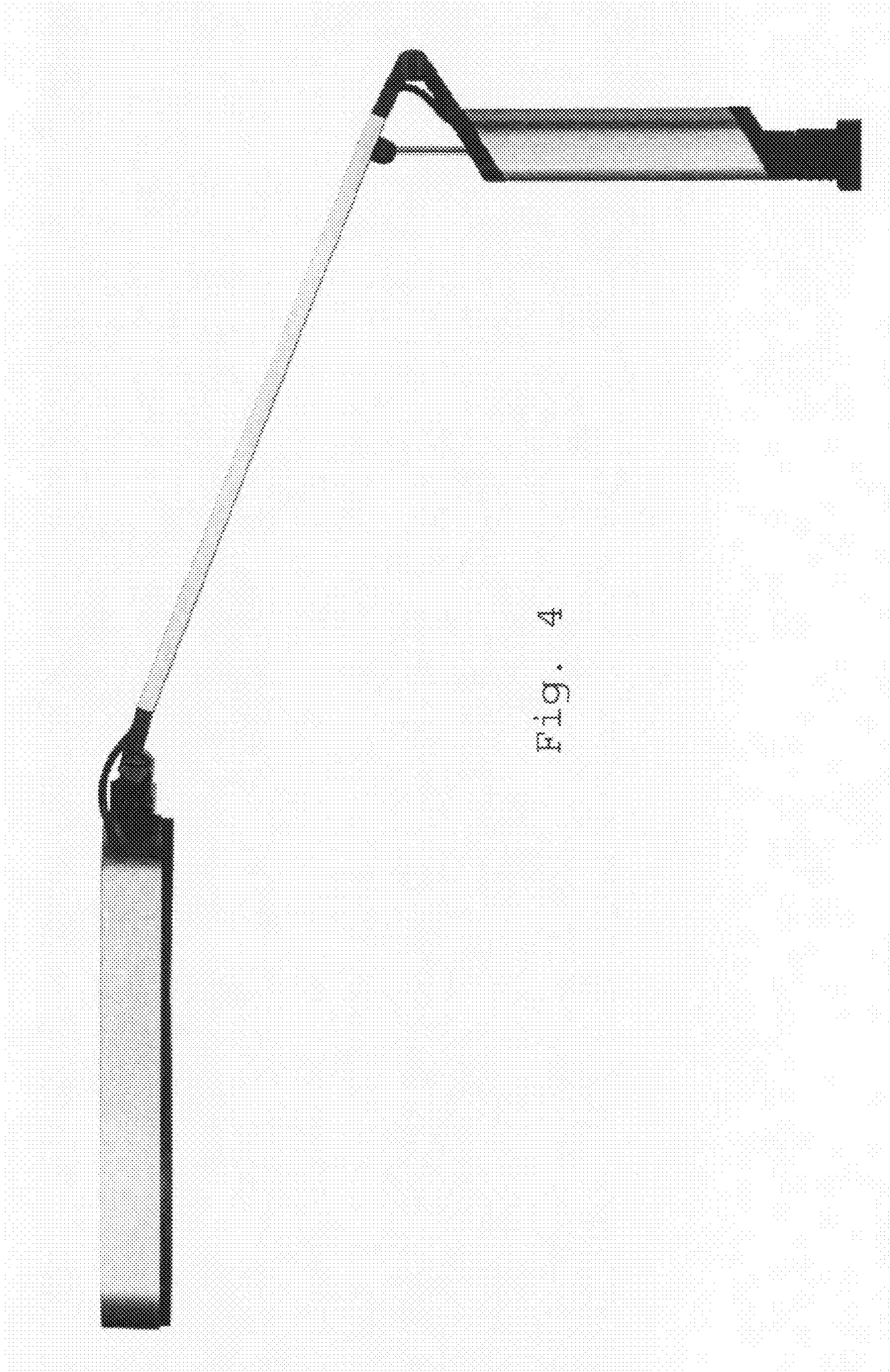
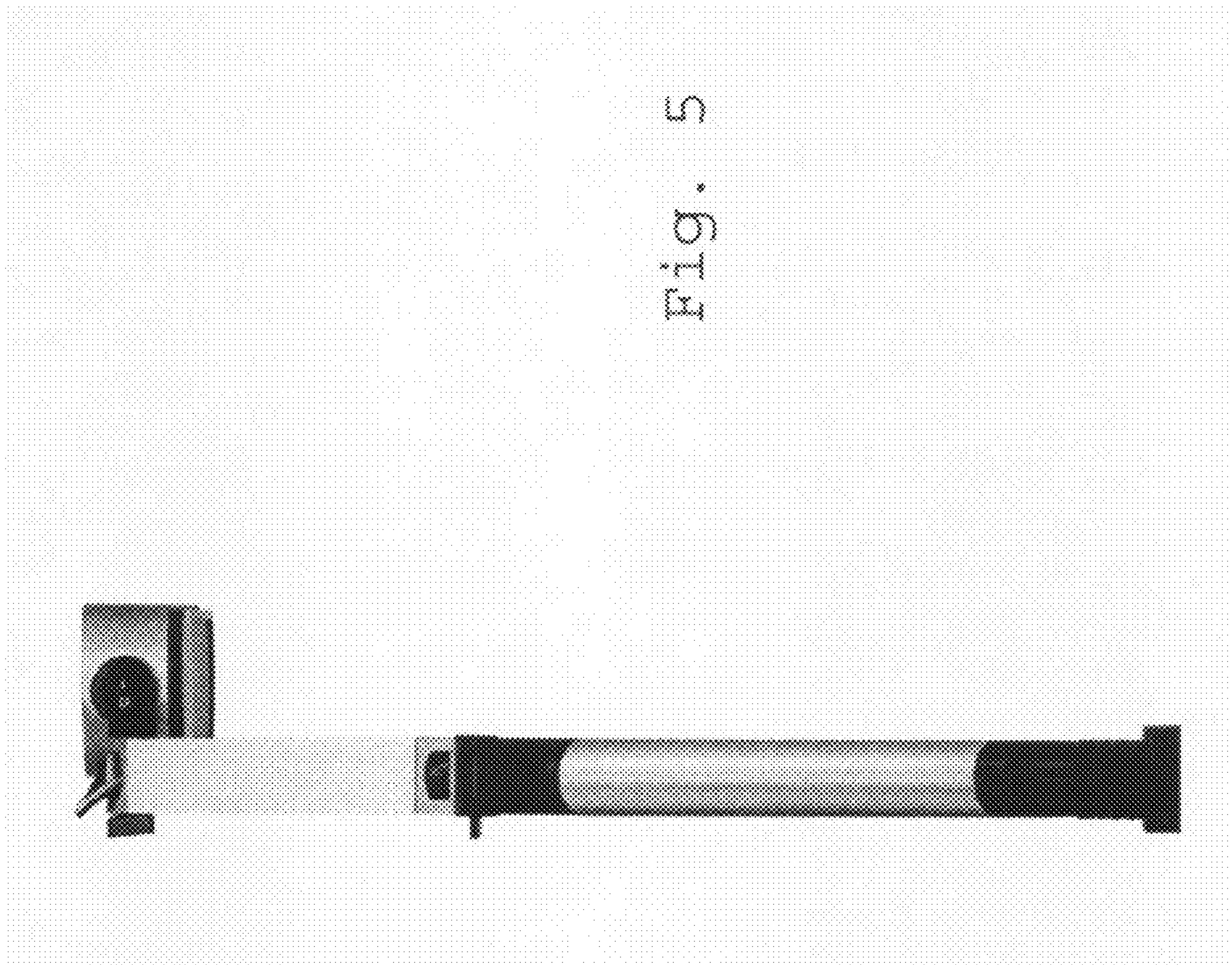


Fig. 2







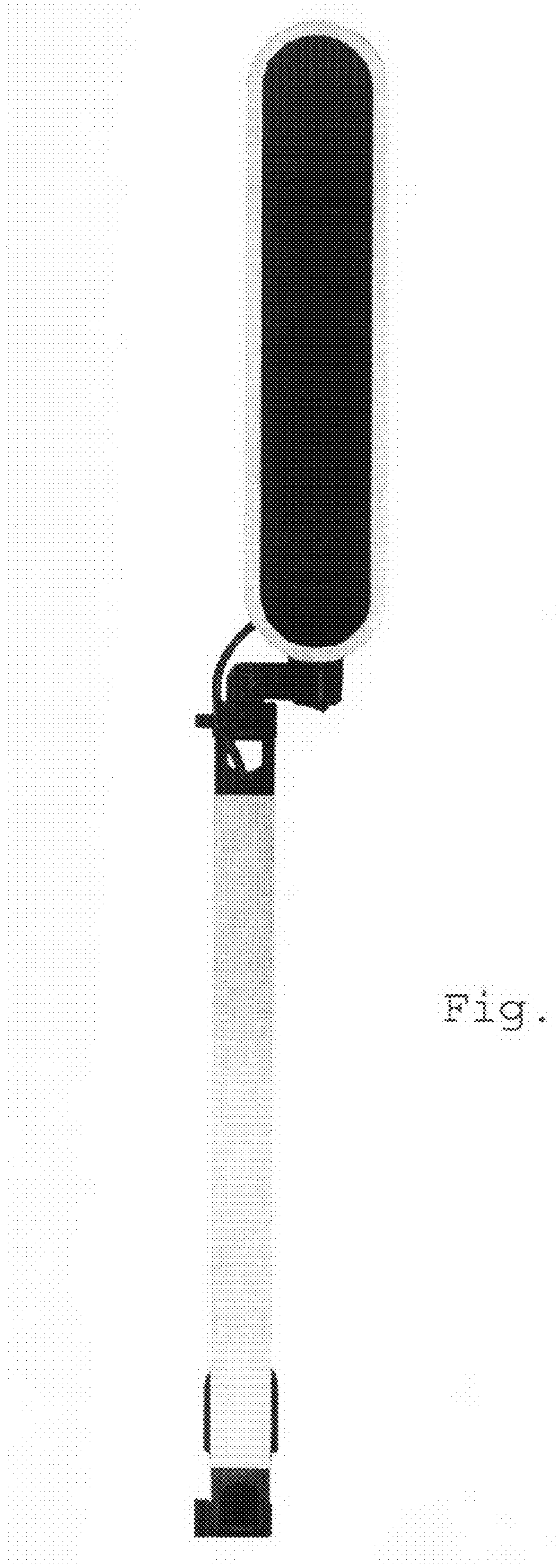


Fig. 6

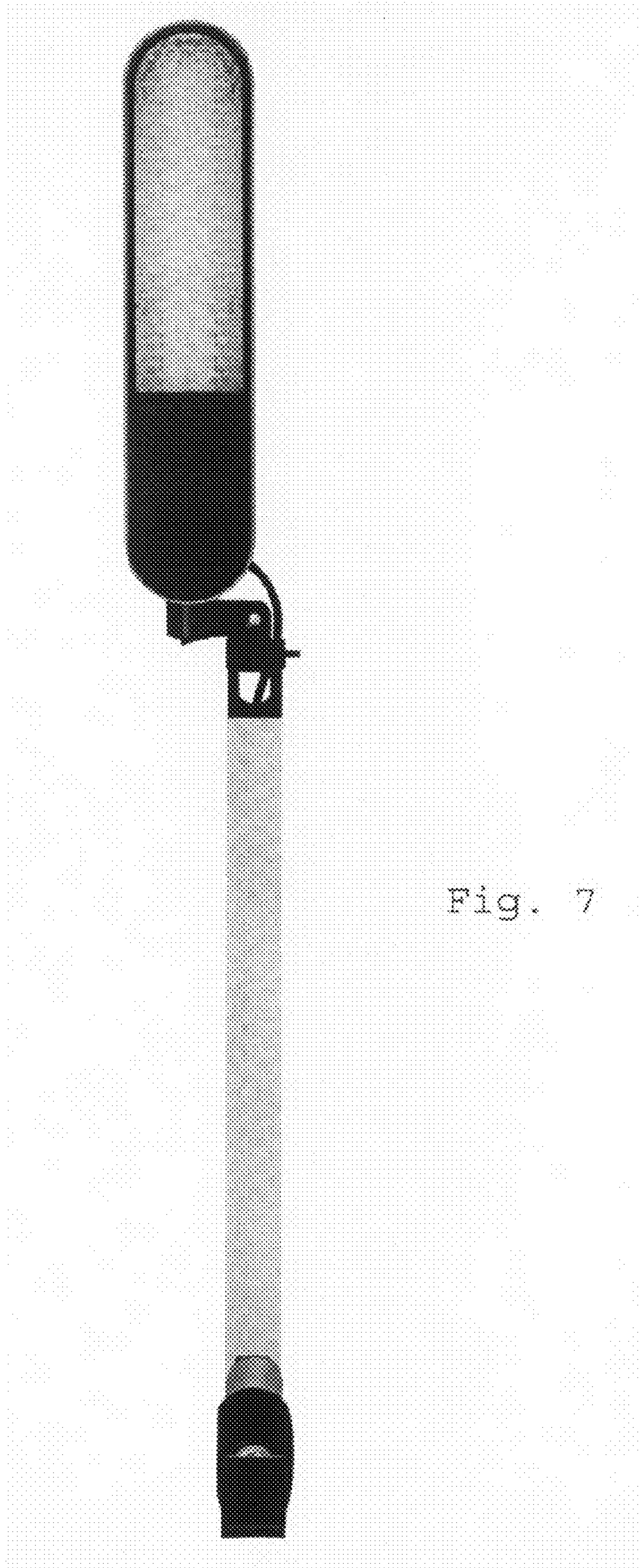


Fig. 7