



US00D606691S

(12) **United States Design Patent**
Lindholm

(10) **Patent No.:** **US D606,691 S**

(45) **Date of Patent:** **** Dec. 22, 2009**

(54) **WORKLIGHT**

D552,782 S * 10/2007 Korpi D26/63
D564,689 S * 3/2008 Korpi D26/63

(75) Inventor: **Janne Lindholm**, Pietarsaari (FI)

* cited by examiner

(73) Assignee: **Herrmans Oy AB**, Pietarsaari (FI)

Primary Examiner—Cathron C Brooks

Assistant Examiner—Linda G. Brooks

(**) Term: **14 Years**

(74) *Attorney, Agent, or Firm*—Klauber & Jackson LLC

(21) Appl. No.: **29/310,914**

(57) **CLAIM**

(22) Filed: **Sep. 16, 2008**

The ornamental design for a worklight, as shown and described.

(51) **LOC (9) Cl.** **26-05**

(52) **U.S. Cl.** **D26/63**

(58) **Field of Classification Search** D26/60–66;
362/269, 275, 277–280, 282, 285, 287, 289,
362/418, 427, 430

See application file for complete search history.

DESCRIPTION

FIG. 1 is a perspective view showing the right side, the bottom and the front of the worklight of my new design;

FIG. 2 is a perspective view showing the right side, the top and the front of the worklight of FIG. 1;

FIG. 3 is a front view thereof;

FIG. 4 is a back view thereof;

FIG. 5 is a right side view thereof;

FIG. 6 is a left side view thereof;

FIG. 7 is a bottom view thereof; and,

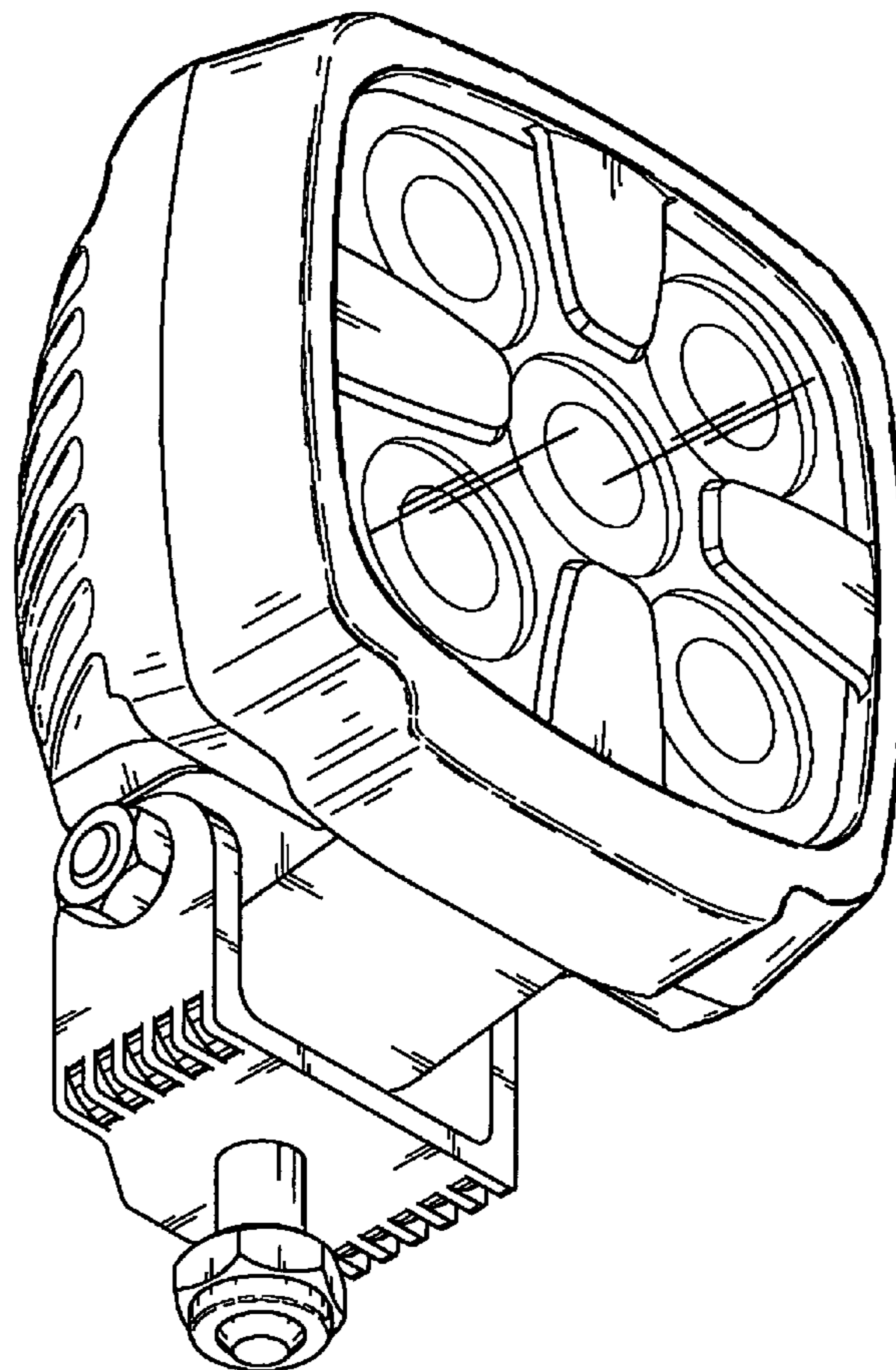
FIG. 8 is a top view of the claimed design.

(56) **References Cited**

U.S. PATENT DOCUMENTS

D413,689 S	*	9/1999	Hussaini et al.	D26/29
D550,878 S	*	9/2007	Korpi	D26/63
D550,879 S	*	9/2007	Korpi	D26/63
D550,880 S	*	9/2007	Korpi	D26/63
D551,372 S	*	9/2007	Korpi	D26/63
D551,373 S	*	9/2007	Korpi	D26/63
D551,374 S	*	9/2007	Korpi	D26/63

1 Claim, 5 Drawing Sheets



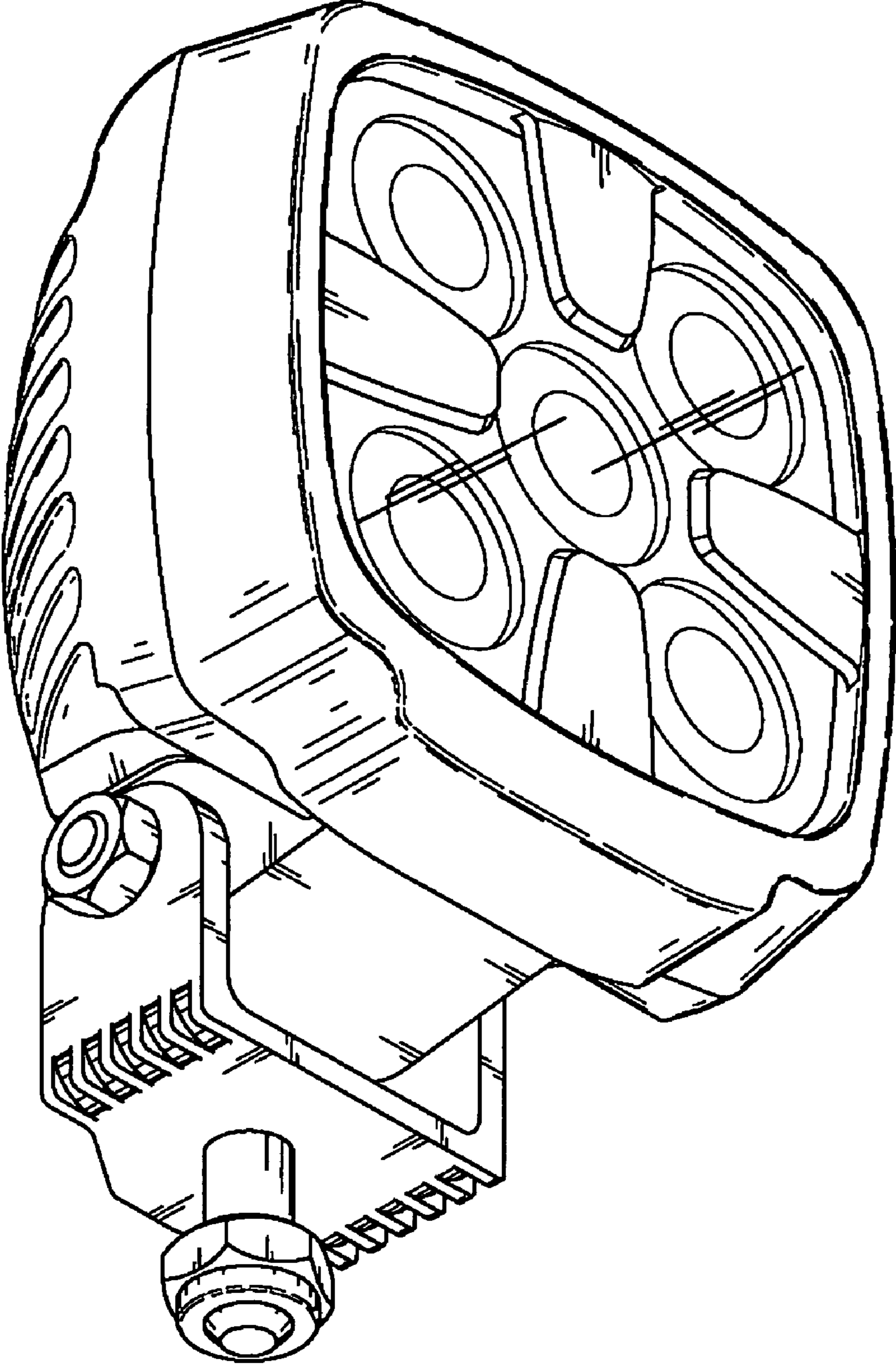


Fig. 1

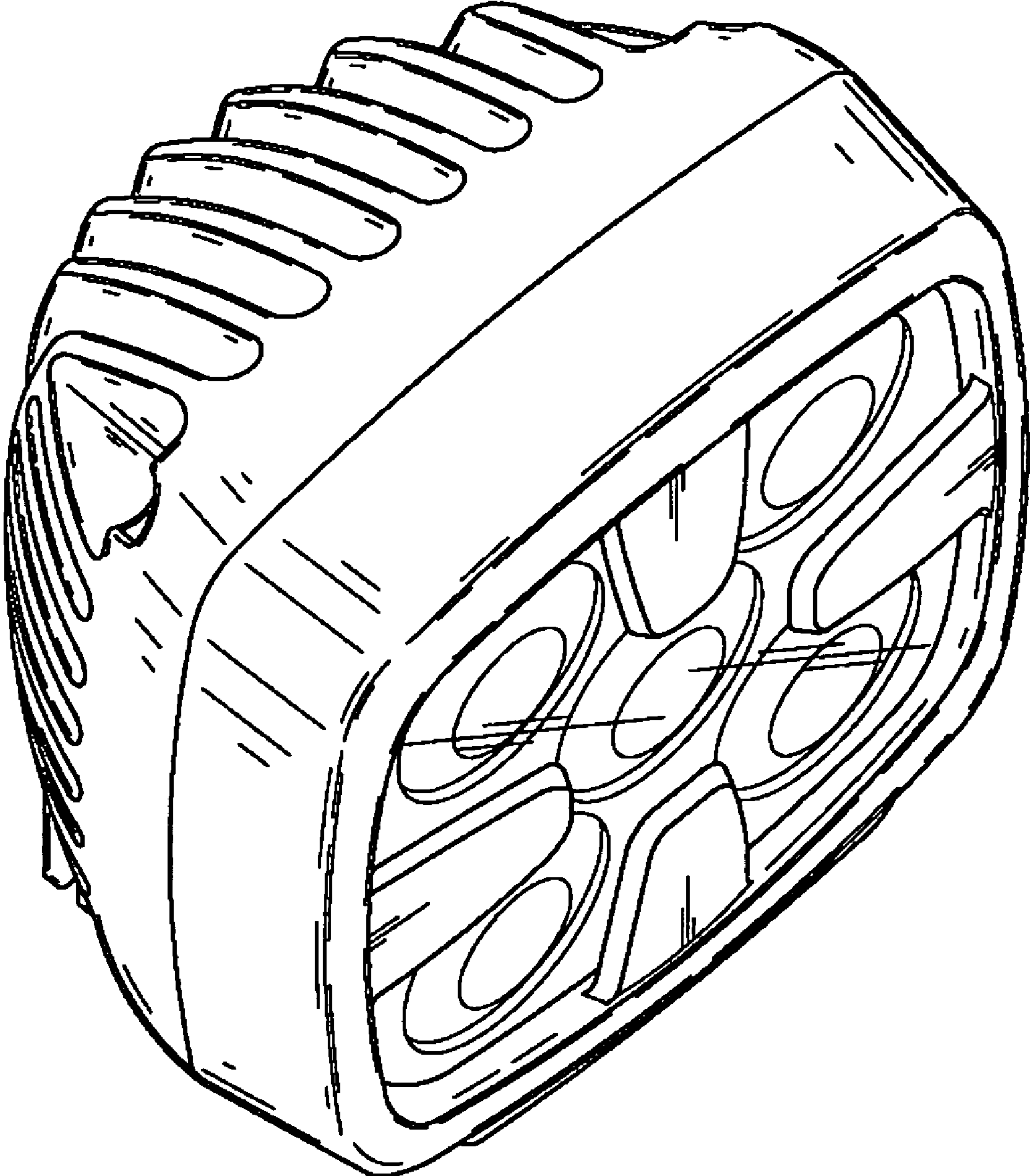


Fig. 2

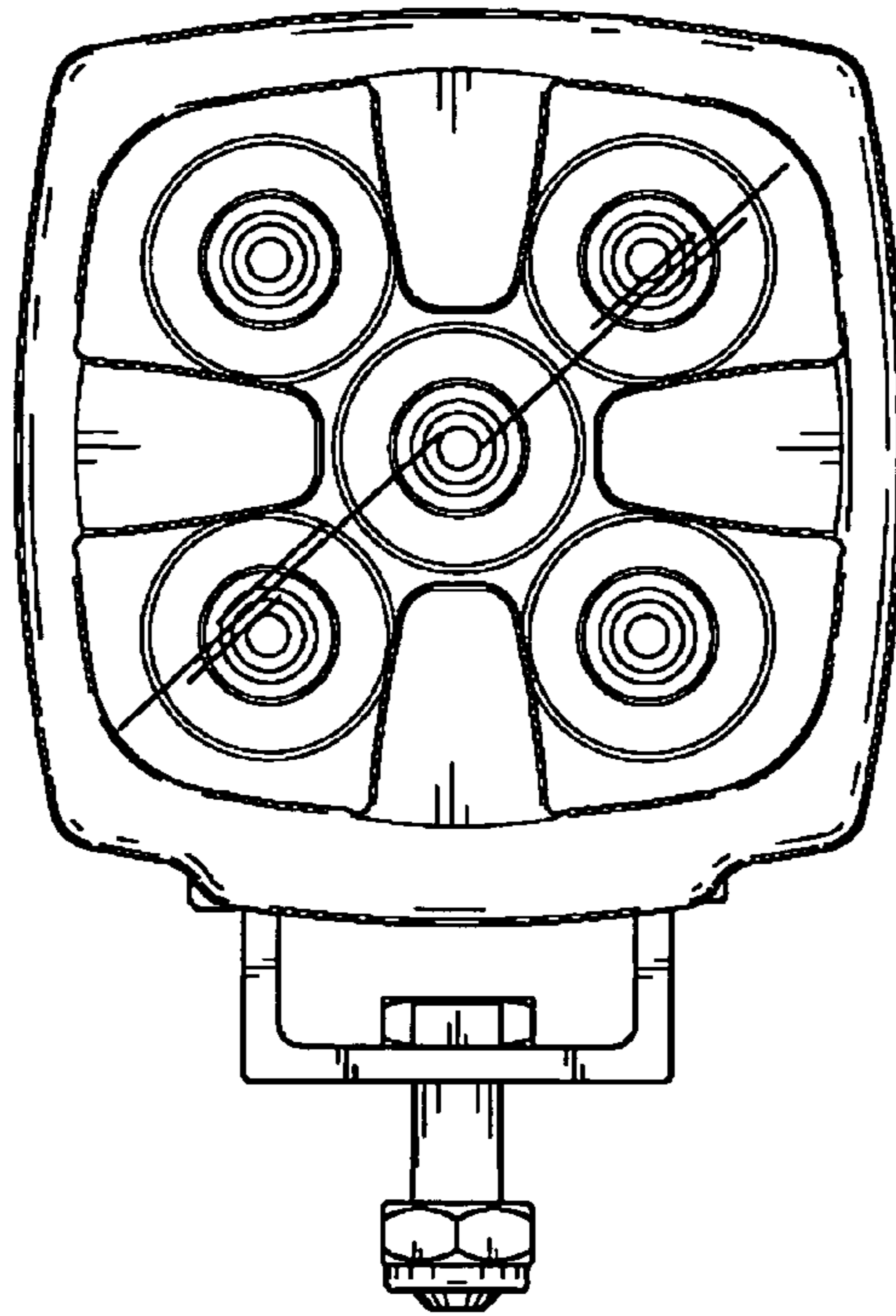


Fig. 3

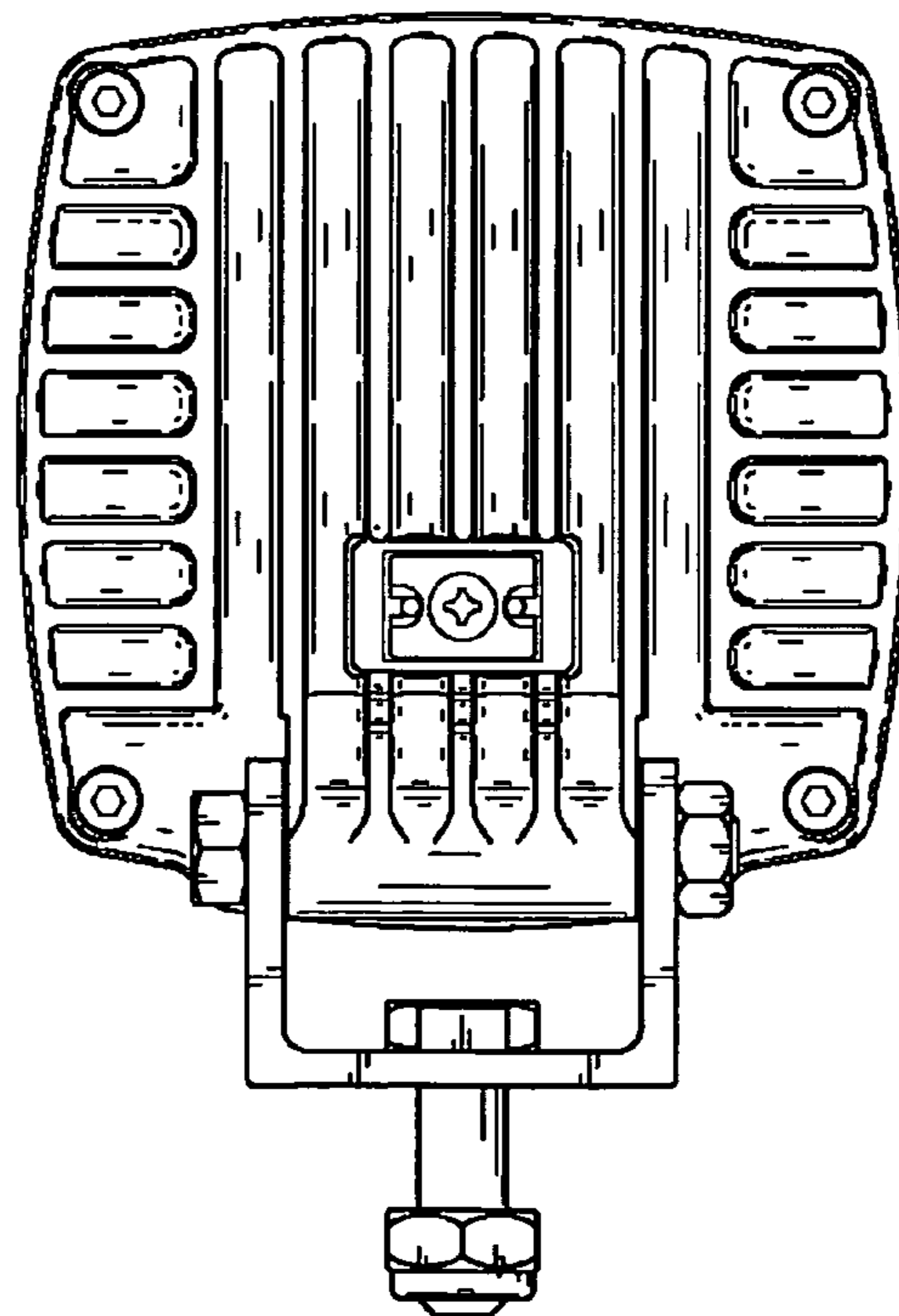


Fig. 4

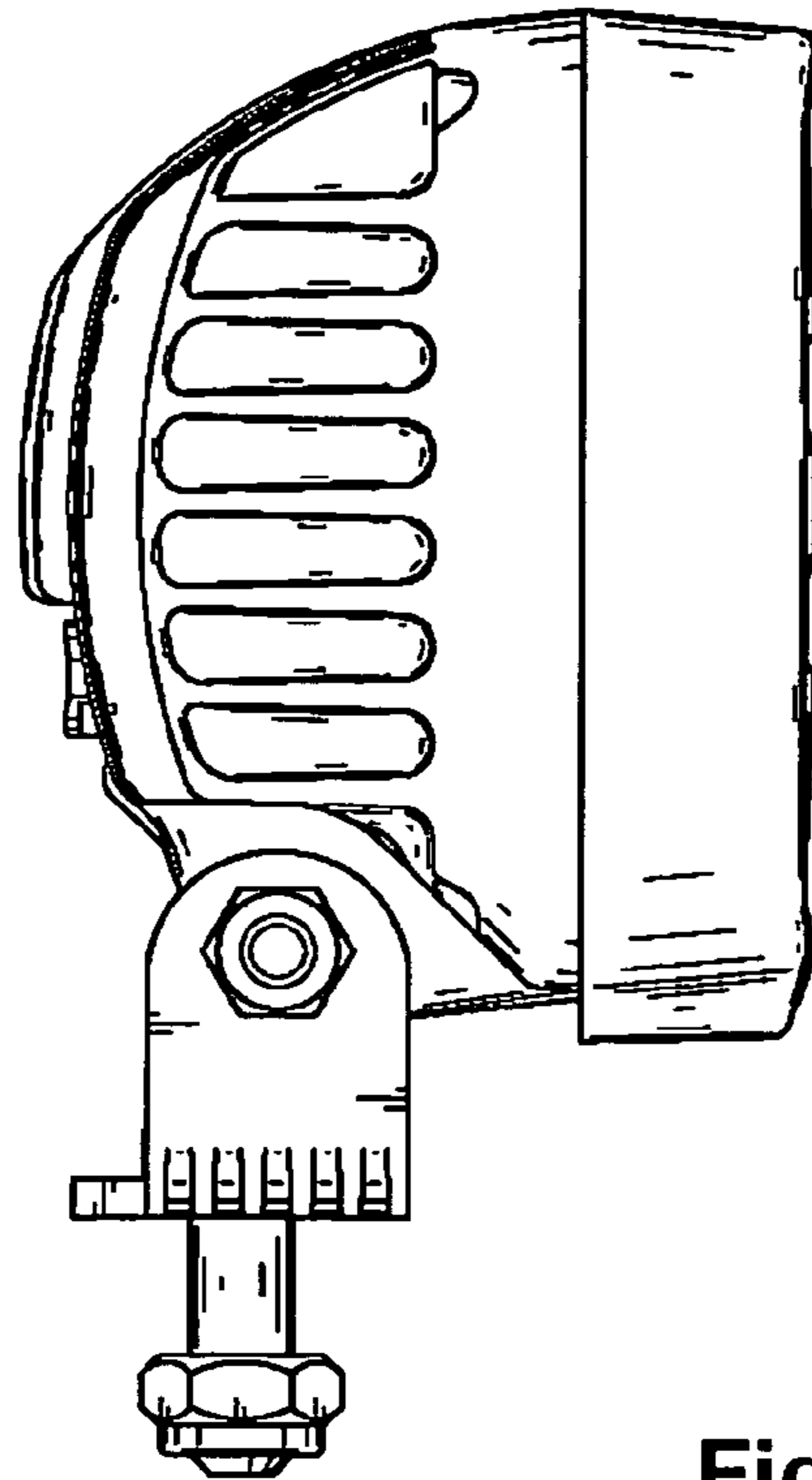


Fig. 5

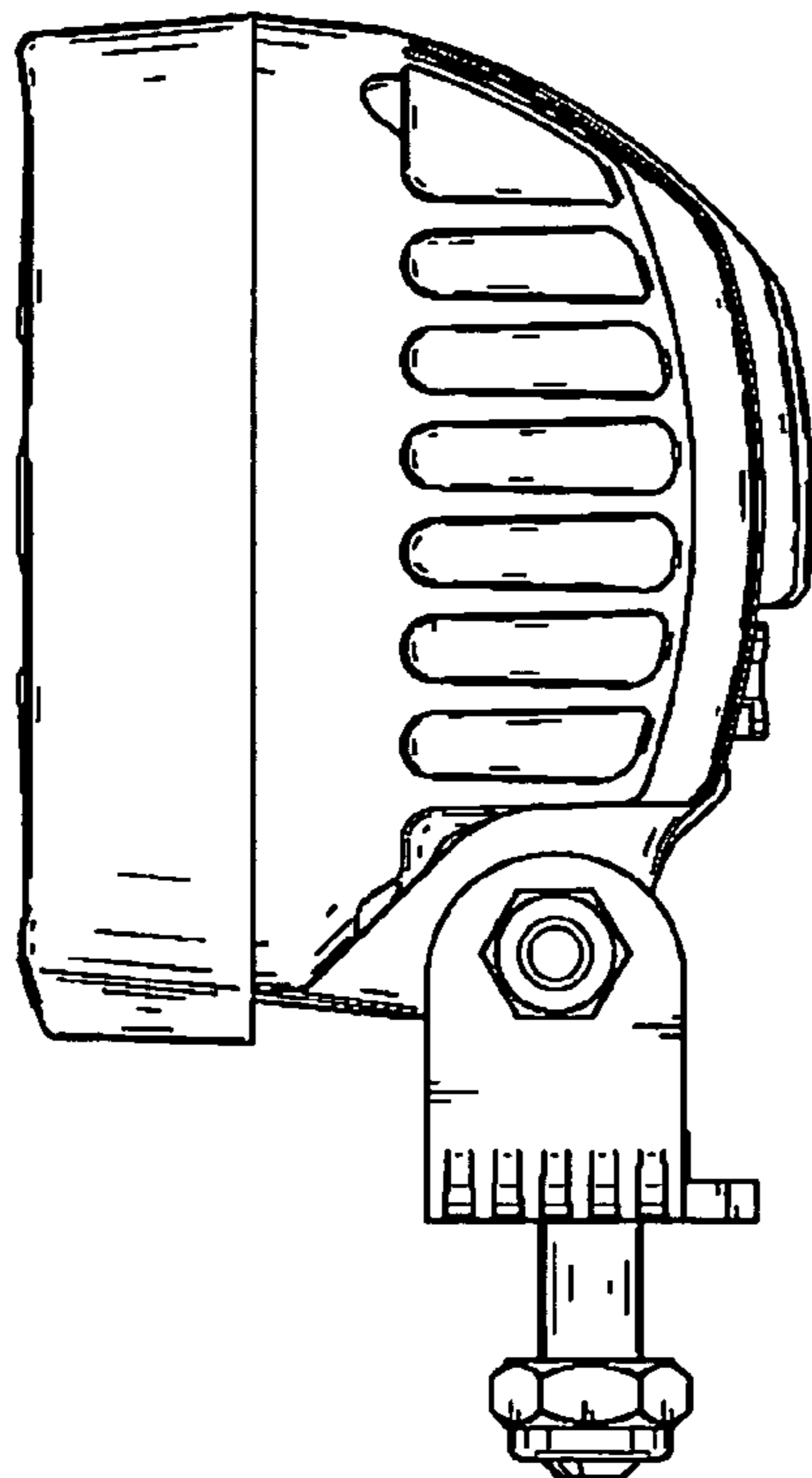


Fig. 6

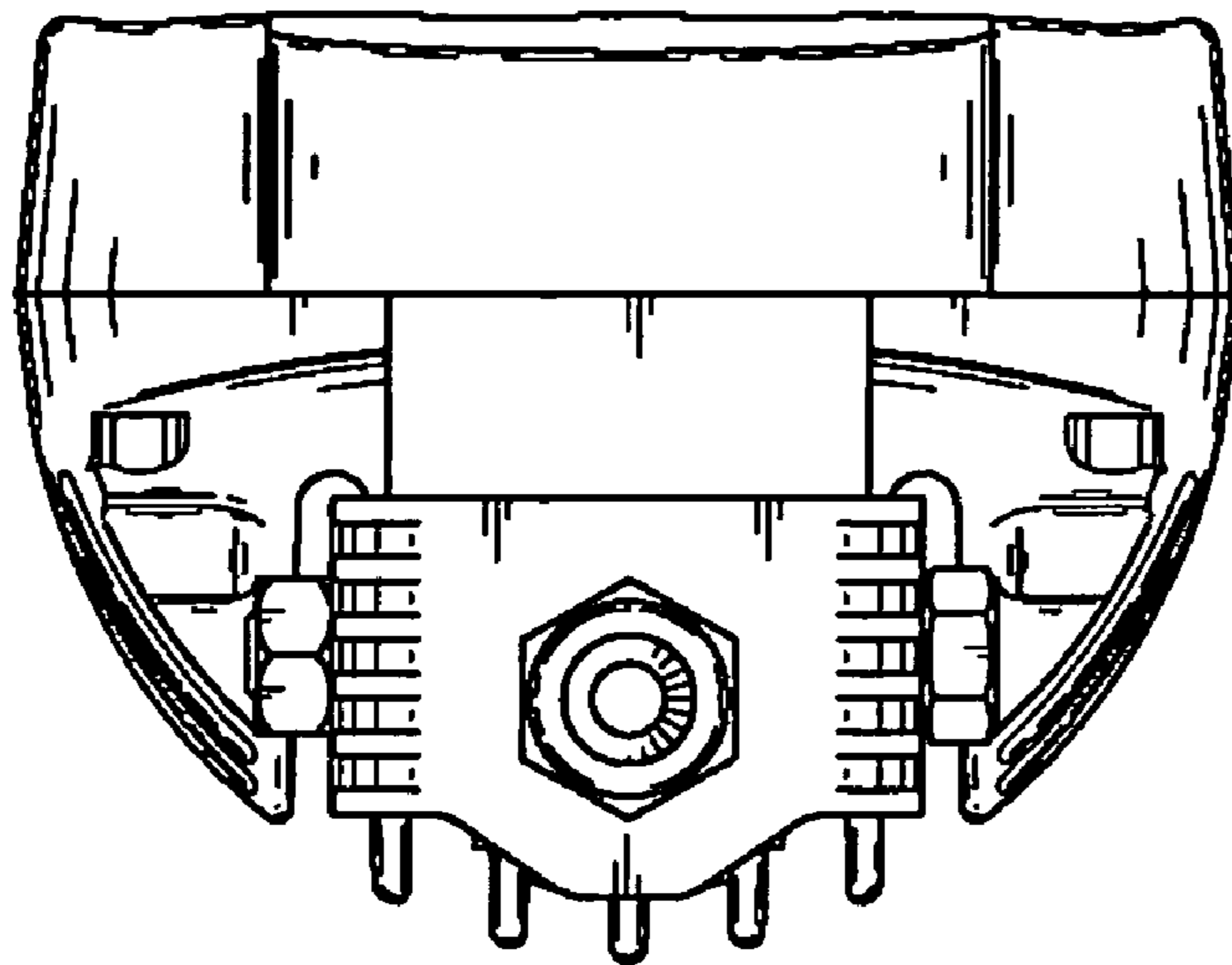


Fig. 7

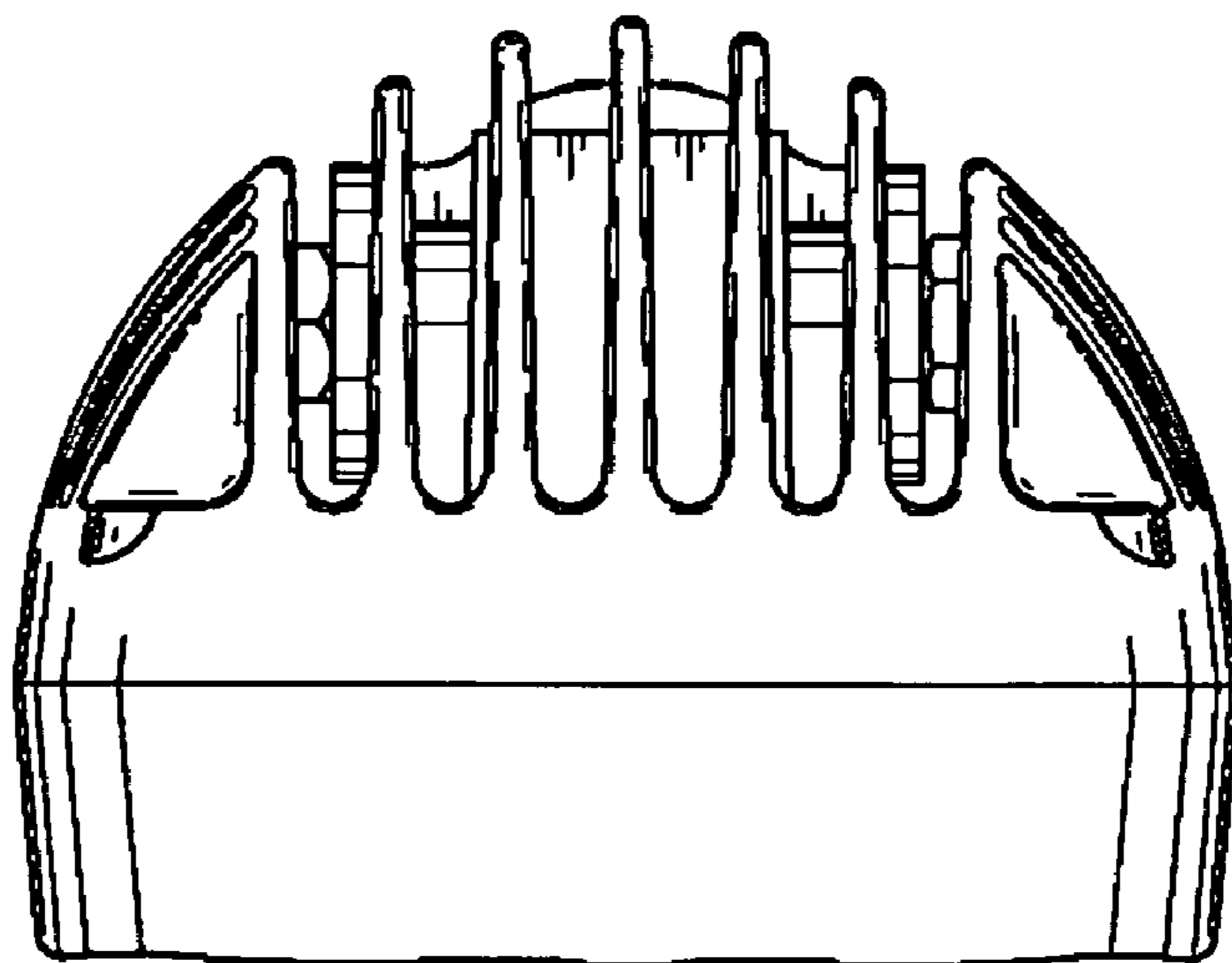


Fig. 8