



US00D606690S

(12) **United States Design Patent**
Orrom et al.

(10) **Patent No.:** **US D606,690 S**

(45) **Date of Patent:** **** Dec. 22, 2009**

(54) **ILLUMINATING DEVICE**

2005/0036316 A1* 2/2005 De Sisti 362/264
2006/0098437 A1* 5/2006 Yuen 362/287

(75) Inventors: **James Orrom**, Diessen am Ammersee
(DE); **Josef Ostermann**, Munich (DE)

OTHER PUBLICATIONS

“ARRI” Tungsten Studio Lighting, published prior to Jul. 29, 2003.

(73) Assignee: **Arnold & Richter Cine Technik GmbH**
& **Co. Betriebs KG**, Munich (DE)

* cited by examiner

(**) Term: **14 Years**

Primary Examiner—Clare E Heflin

(74) *Attorney, Agent, or Firm*—Christie, Parker & Hale, LLP

(21) Appl. No.: **29/299,366**

(57) **CLAIM**

(22) Filed: **Dec. 21, 2007**

The ornamental design for an illuminating device, as shown and described.

(30) **Foreign Application Priority Data**

DESCRIPTION

Jun. 21, 2007 (DE) 407 03 244

FIG. 1 is a right front perspective view of the illuminating device;

(51) **LOC (9) Cl.** **26-05**

FIG. 2 is a front elevation view thereof;

(52) **U.S. Cl.** **D26/61**

FIG. 3 is a right elevation view thereof;

(58) **Field of Classification Search** D26/41,

FIG. 4 is a rear elevation view thereof;

D26/61, 63, 65, 72; D16/221, 234; 362/3,

FIG. 5 is a left elevation view thereof;

362/264, 368, 369, 373

FIG. 6 is a top view thereof; and,

See application file for complete search history.

FIG. 7 is a bottom view thereof.

(56) **References Cited**

The broken lines shown on the drawings depict environment only and form no part of the claimed design.

U.S. PATENT DOCUMENTS

Screw-type fasteners and pins and their respective receiving holes do not form part of the claimed design.

D38,133 S 7/1906 Rosenbluth

All depicted features behind (i.e. interior of) the hexagonal protective grid screen, except the lens, do not form part of the claimed design.

D235,222 S * 5/1975 Larson D26/65

All depicted features shown inside the broad slots of the cylindrical housing do not form part of the claimed design.

3,895,227 A * 7/1975 Murray et al. 362/294

All depicted features shown inside the slots in the front of the base do not form part of the claimed design.

D260,300 S 8/1981 Aron

All depicted features shown inside the plug connection in the lower right hand corner in the right elevation view does not form part of the claimed design.

D271,043 S * 10/1983 Parker D26/63

The surface ornamentation on the housing mounting clips of the handle does not form part of the claimed design.

4,692,844 A 9/1987 Galerne

4,703,404 A 10/1987 Helton, III et al.

4,992,918 A 2/1991 Shioiri et al.

5,067,065 A 11/1991 Dahlgren

5,205,645 A 4/1993 Lee

5,461,554 A 10/1995 Leonetti et al.

D388,525 S 12/1997 Lowell et al.

D443,707 S * 6/2001 Poon D26/41

D448,101 S * 9/2001 Lam D26/41

6,485,167 B2 11/2002 Liang et al.

6,720,724 B2 4/2004 Chonan et al.

D563,035 S 2/2008 Schlegel et al.

D587,833 S * 3/2009 Bina et al. D26/63

2003/0117802 A1* 6/2003 Sisti 362/264

1 Claim, 7 Drawing Sheets

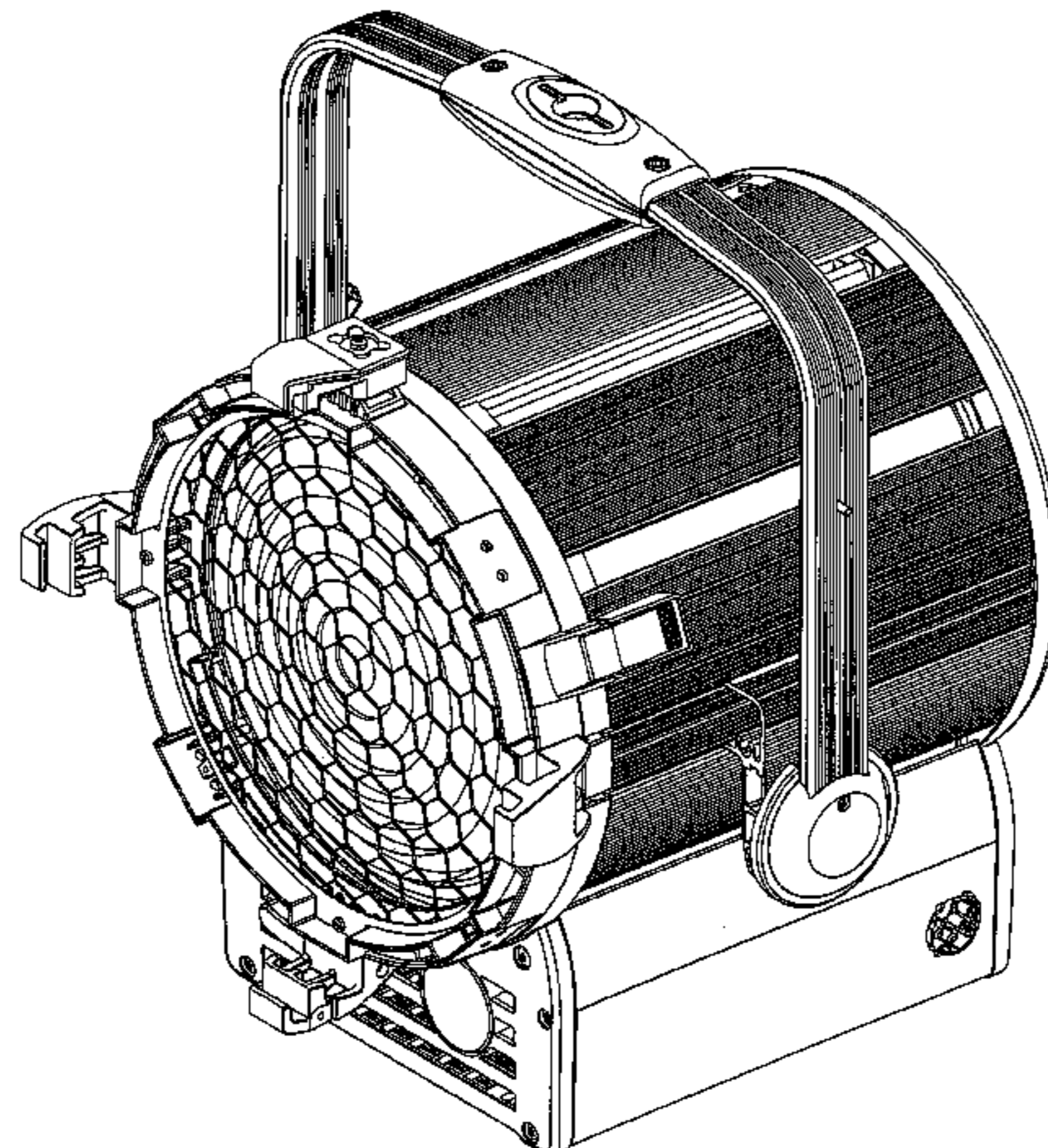


FIG. 1

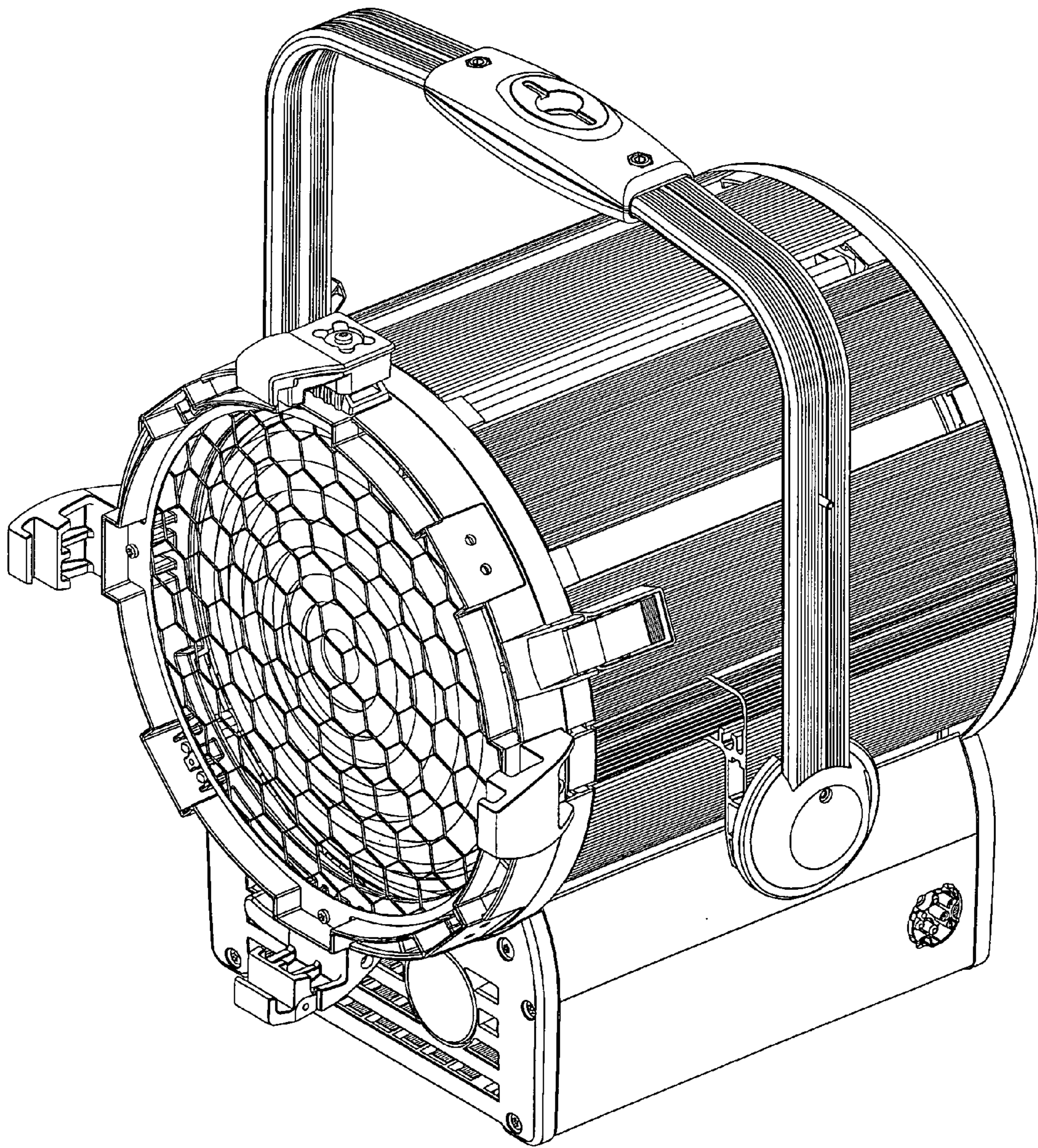


FIG. 2

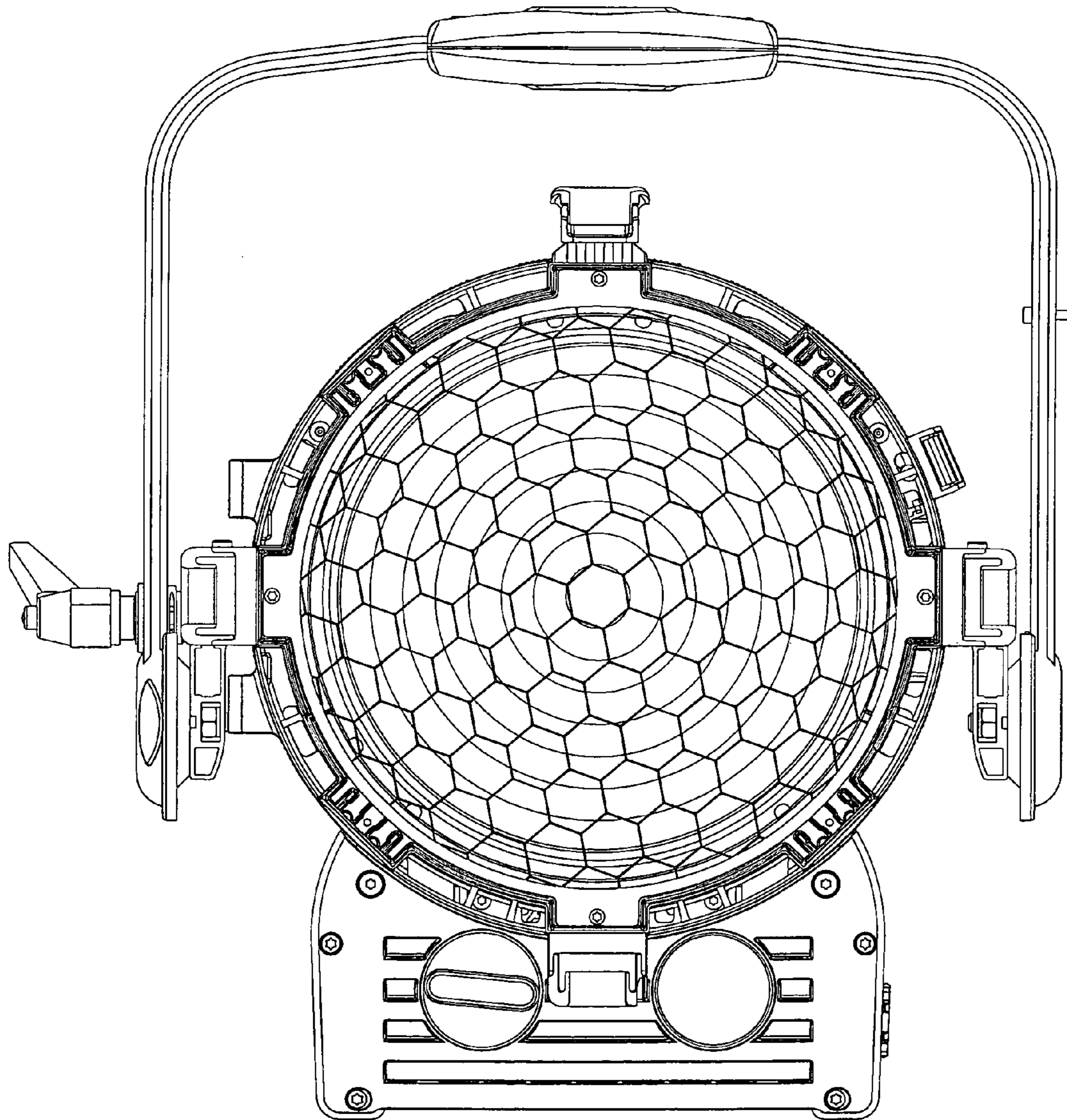


FIG. 3

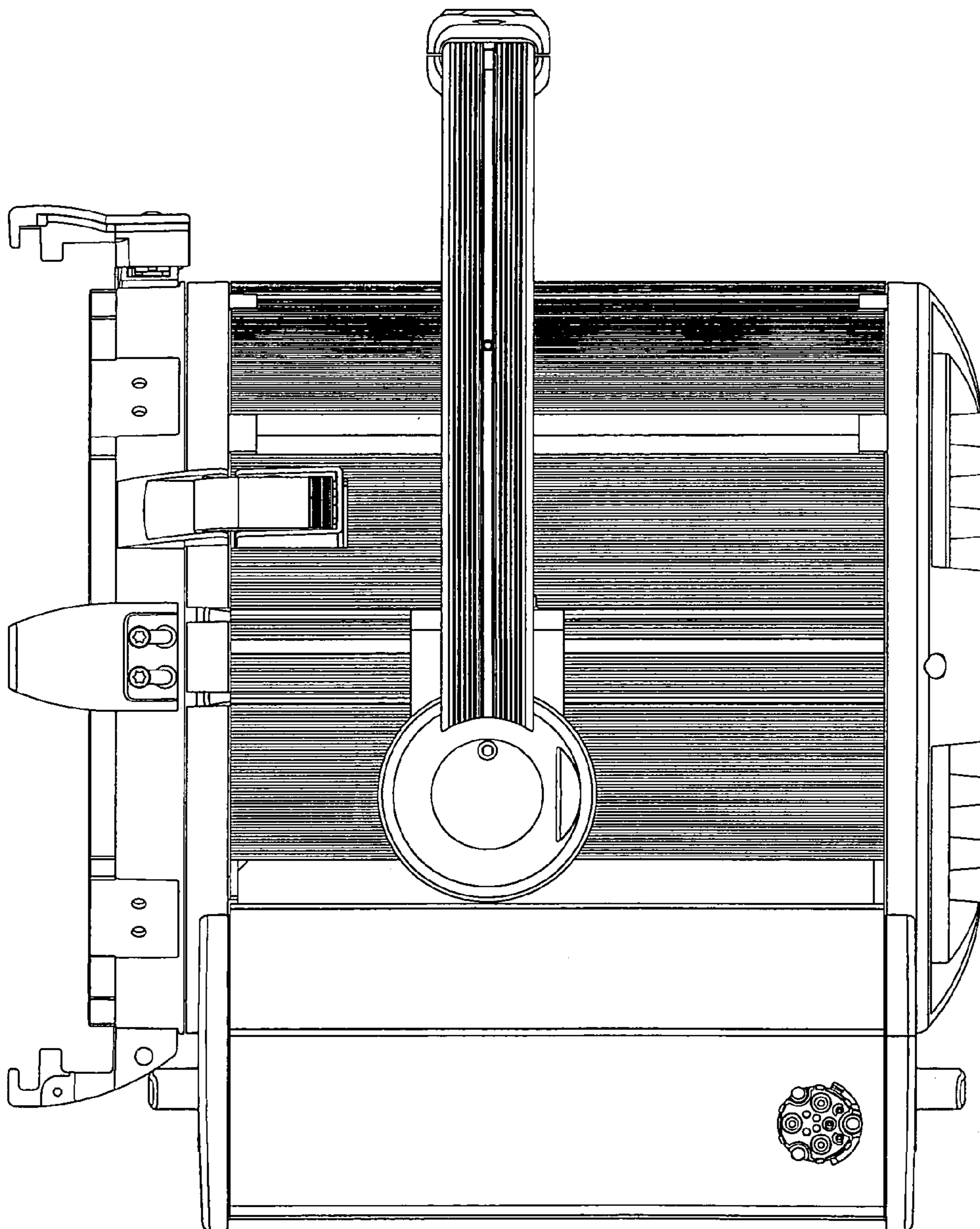


FIG. 4

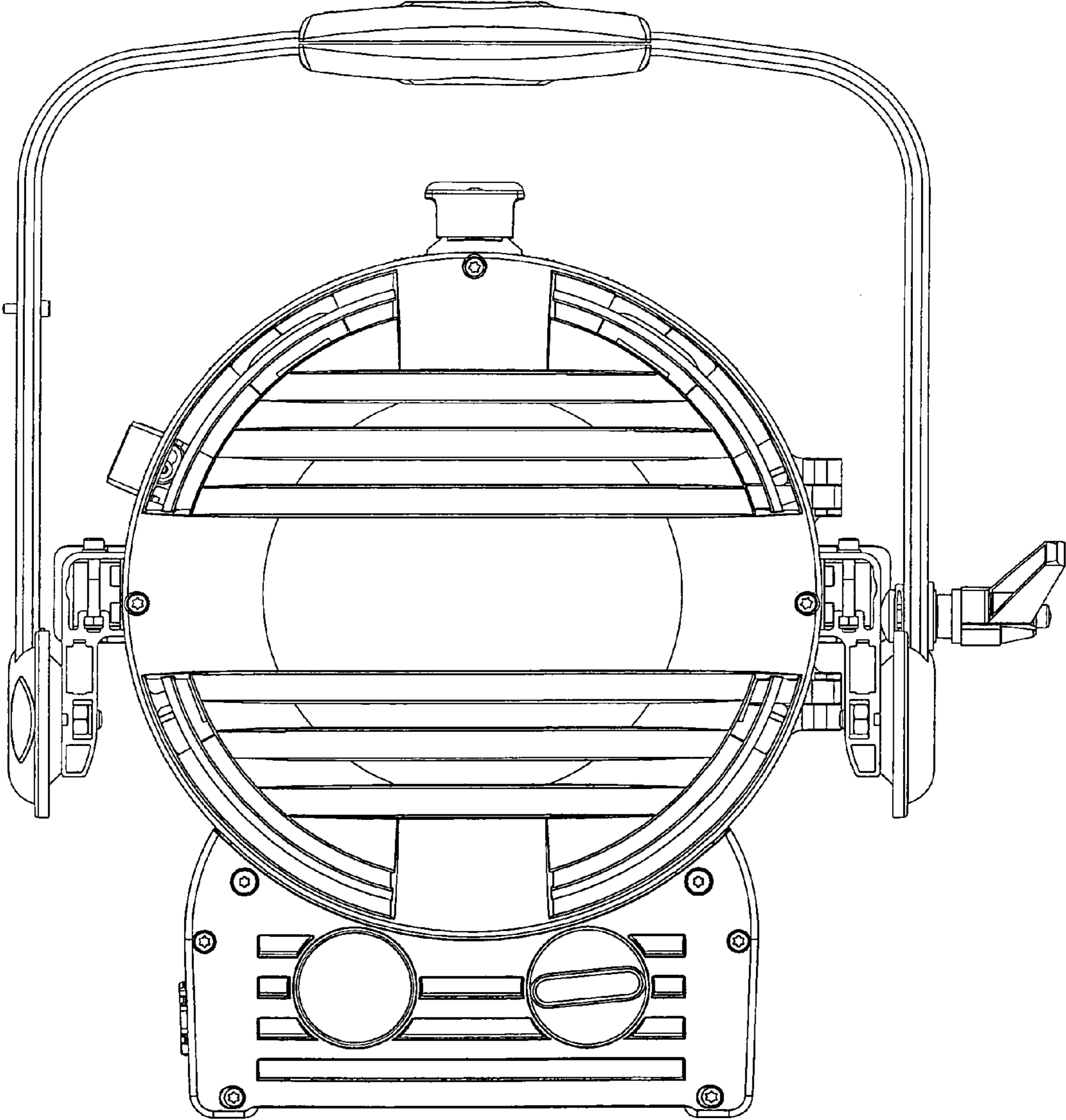


FIG. 5

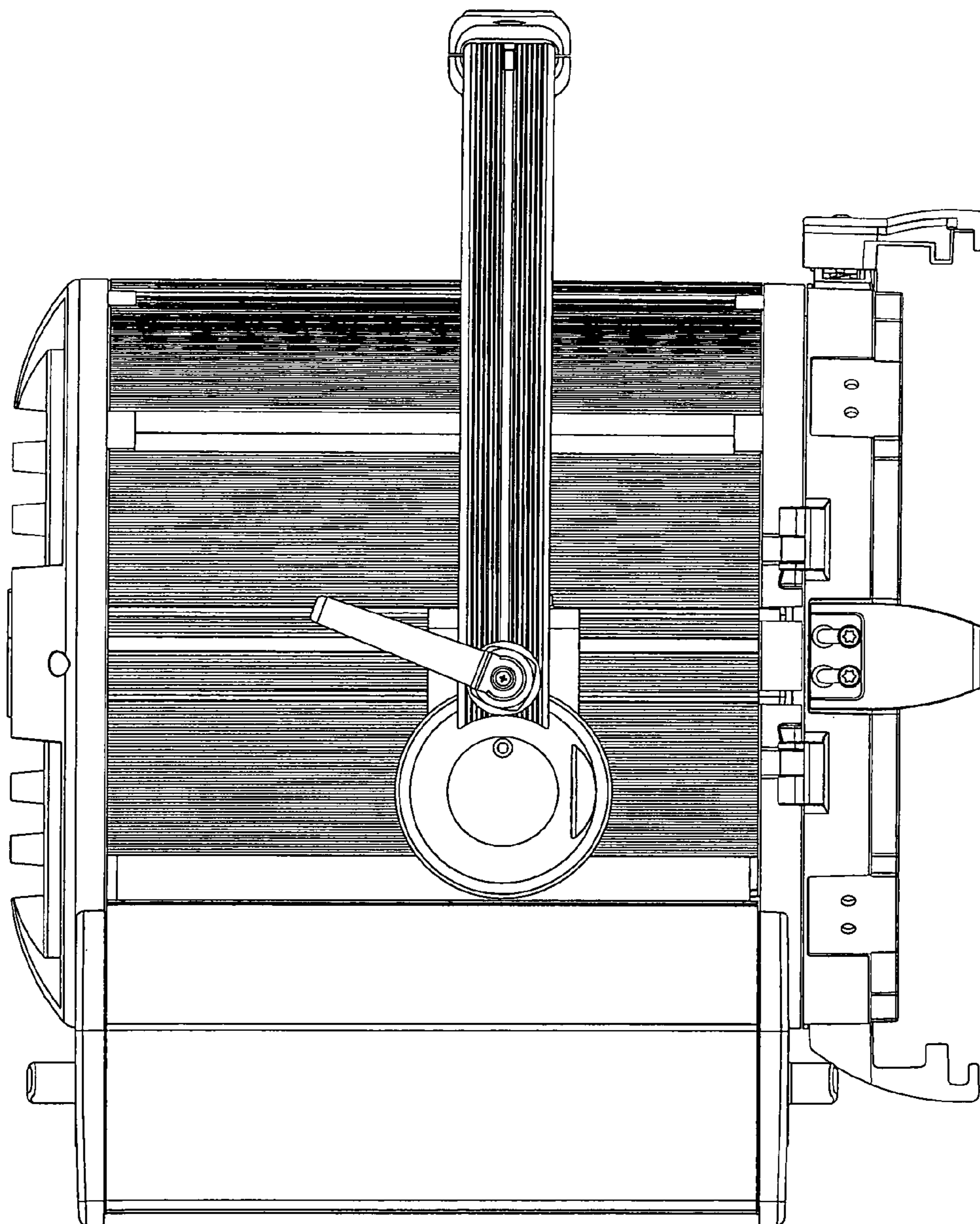


FIG. 6

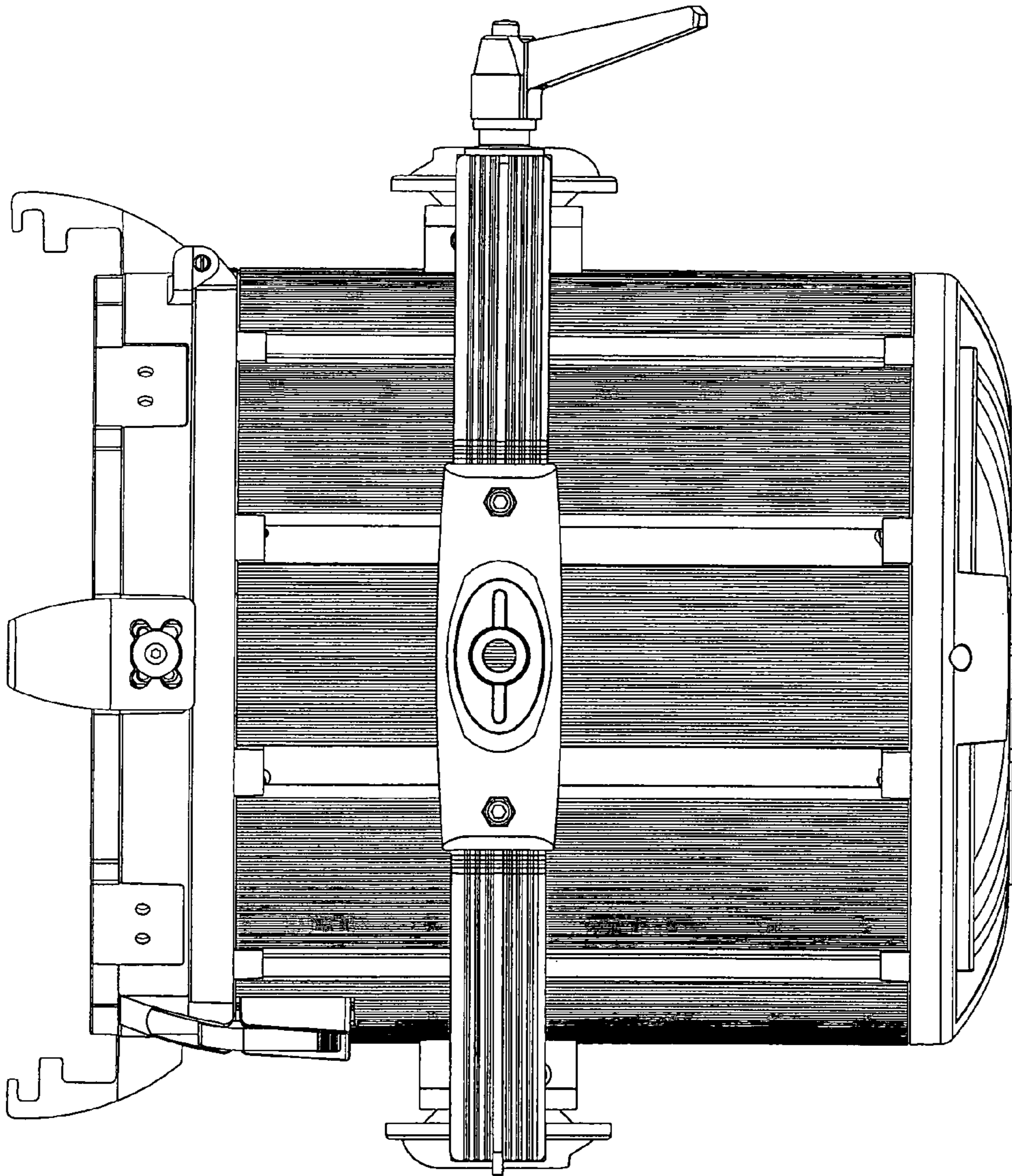


FIG. 7

