



US00D606689S

(12) **United States Design Patent**
Bent

(10) **Patent No.:** **US D606,689 S**

(45) **Date of Patent:** **** Dec. 22, 2009**

(54) **FLASHLIGHT**

(76) Inventor: **Mark Bent**, 12564 Memorial Dr.,
Houston, TX (US) 77024

(**) Term: **14 Years**

(21) Appl. No.: **29/337,697**

(22) Filed: **May 28, 2009**

Related U.S. Application Data

(62) Division of application No. 29/310,448, filed on Aug.
18, 2008, now Pat. No. Des. 593,694.

(51) **LOC (9) Cl.** **26-02**

(52) **U.S. Cl.** **D26/48; D26/50**

(58) **Field of Classification Search** D26/37,
D26/38, 46, 49; 362/157, 158, 184, 194-196,
362/200-208

See application file for complete search history.

(56) **References Cited**

U.S. PATENT DOCUMENTS

D137,394 S *	2/1944	Nocoud	D26/45
D346,236 S *	4/1994	Yuen	D26/46
D433,401 S *	11/2000	Chan	D14/168
D438,528 S *	3/2001	Chan	D14/168
D444,582 S *	7/2001	Poon	D26/44
D452,025 S *	12/2001	Poon	D26/49

D477,432 S *	7/2003	Parsons	D26/37
D565,214 S *	3/2008	Lee	D26/37
D565,215 S *	3/2008	Lee	D26/37
D567,420 S *	4/2008	Ho	D26/49
D579,595 S *	10/2008	Shiu	D26/49
D593,694 S *	6/2009	Bent	D26/37
2005/0052862 A1 *	3/2005	Bruwer et al.	362/157

* cited by examiner

Primary Examiner—Charles A Rademaker

Assistant Examiner—Carissa C Fitts

(57) **CLAIM**

The ornamental design for a flashlight, as shown.

DESCRIPTION

FIG. 1 is a side view of a flashlight showing my new design;

FIG. 2 is an opposite side view of a flashlight showing my new design;

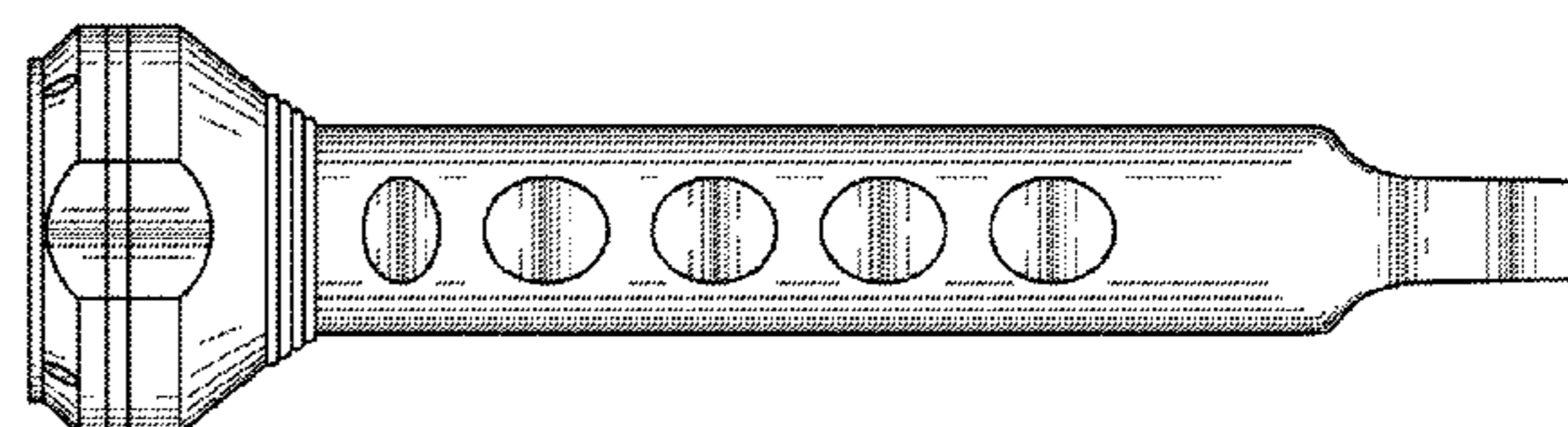
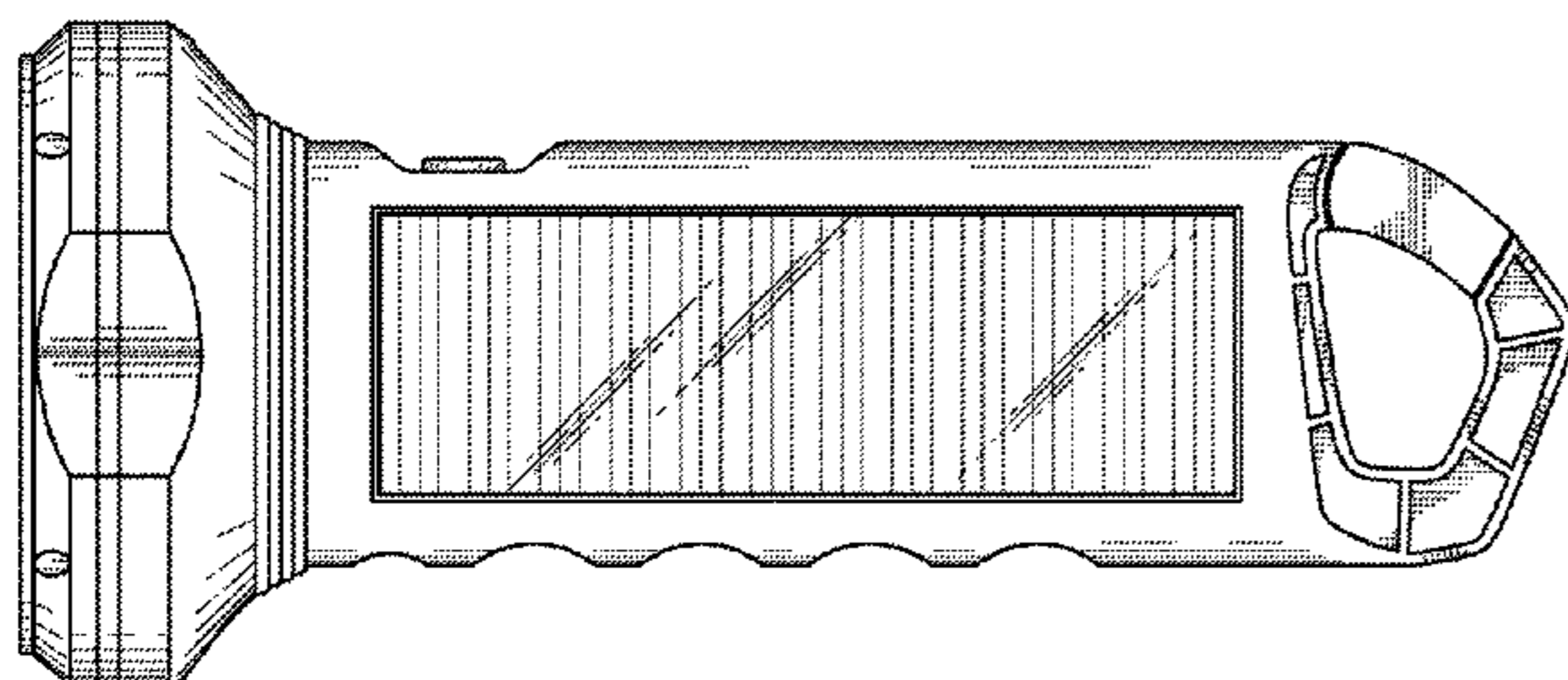
FIG. 3 is an end view of a flashlight showing my design;

FIG. 4 is an opposite end view of a flashlight showing my new design;

FIG. 5 is a top view of a flashlight showing my new design; and,

FIG. 6 is a bottom view of a flashlight showing my new design.

1 Claim, 4 Drawing Sheets



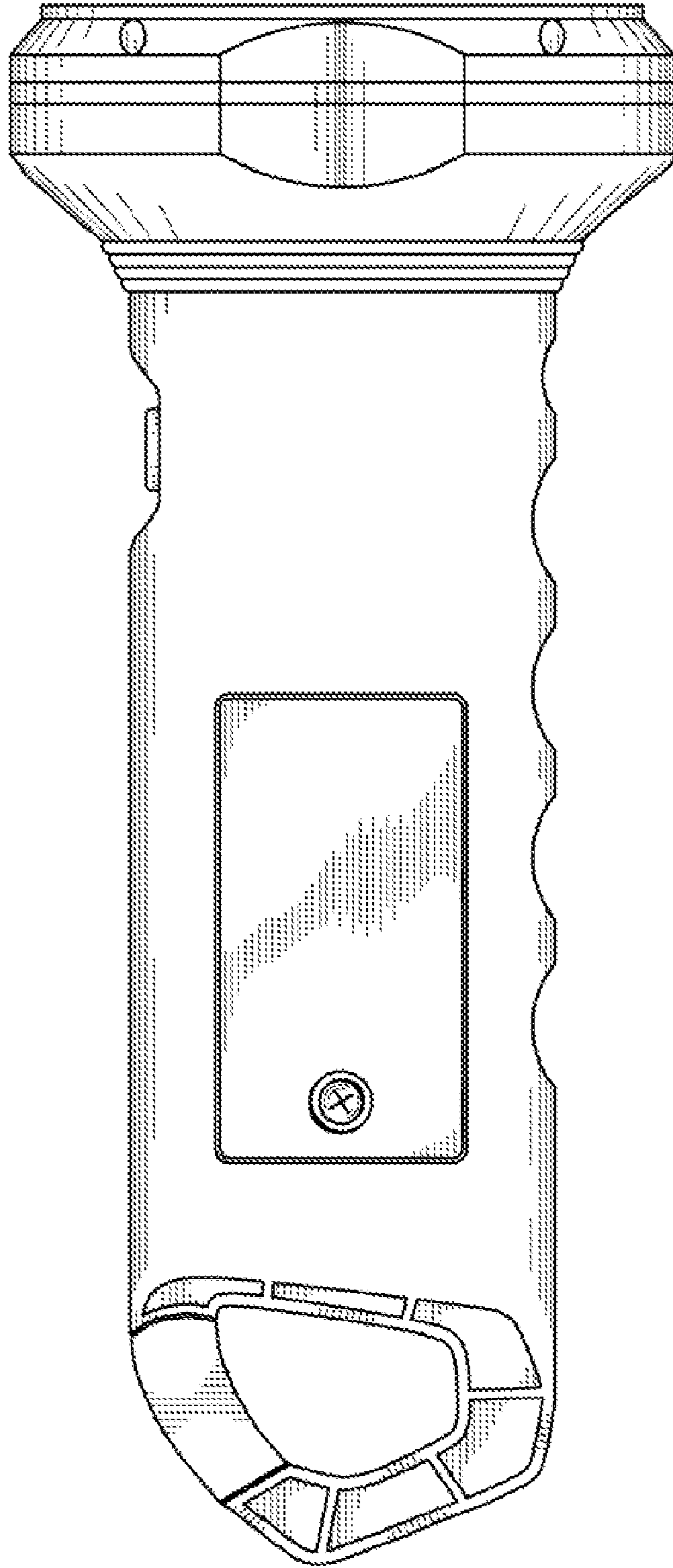


Fig. 1

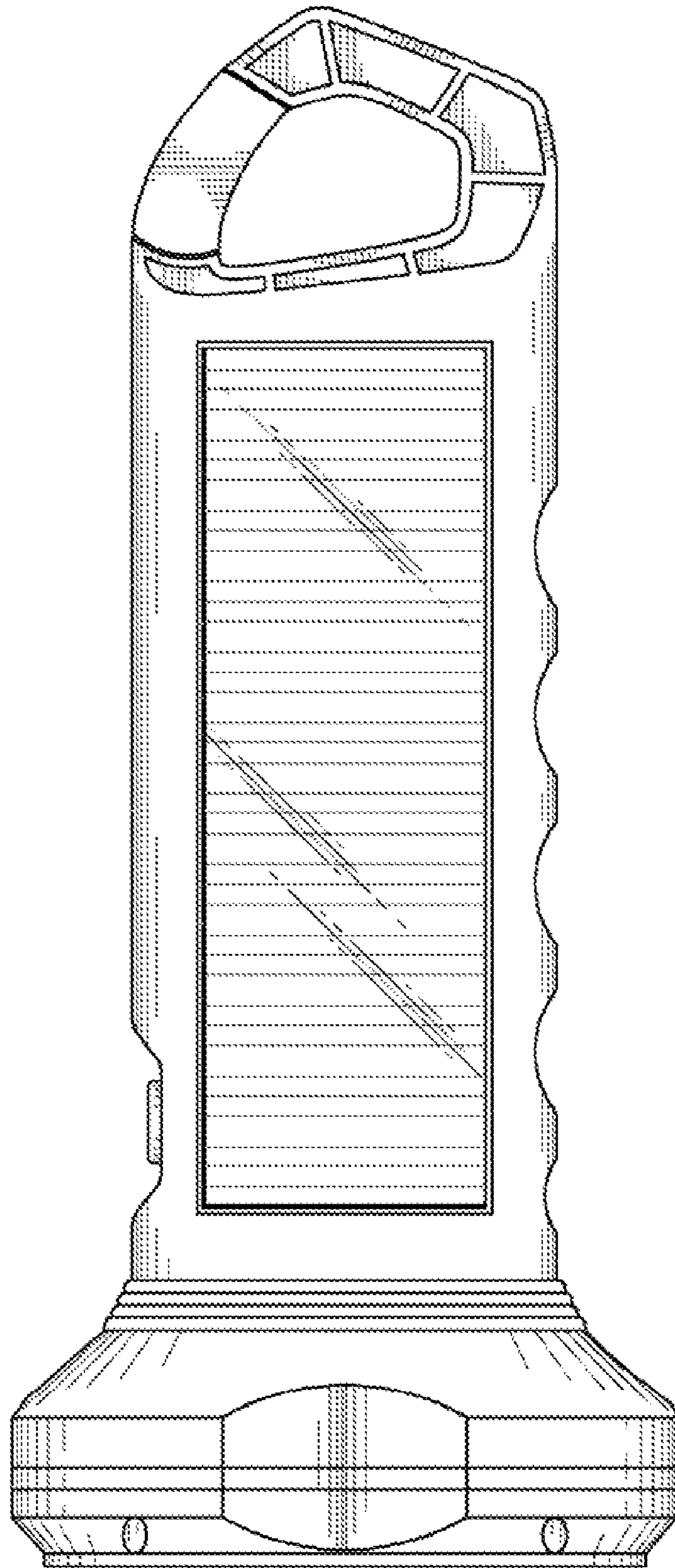


Fig. 2

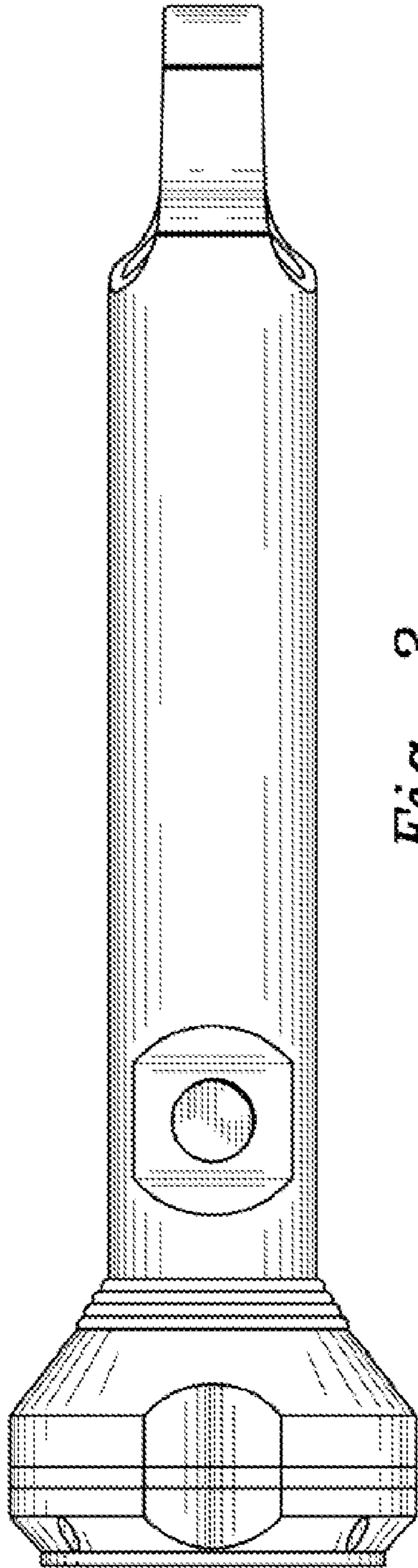


Fig. 3

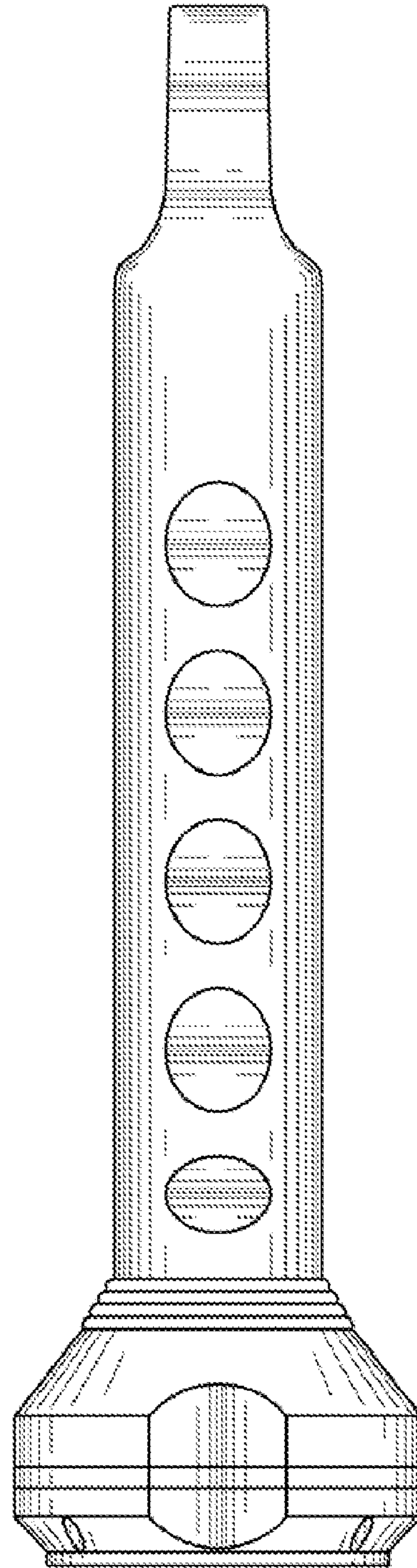


Fig. 4

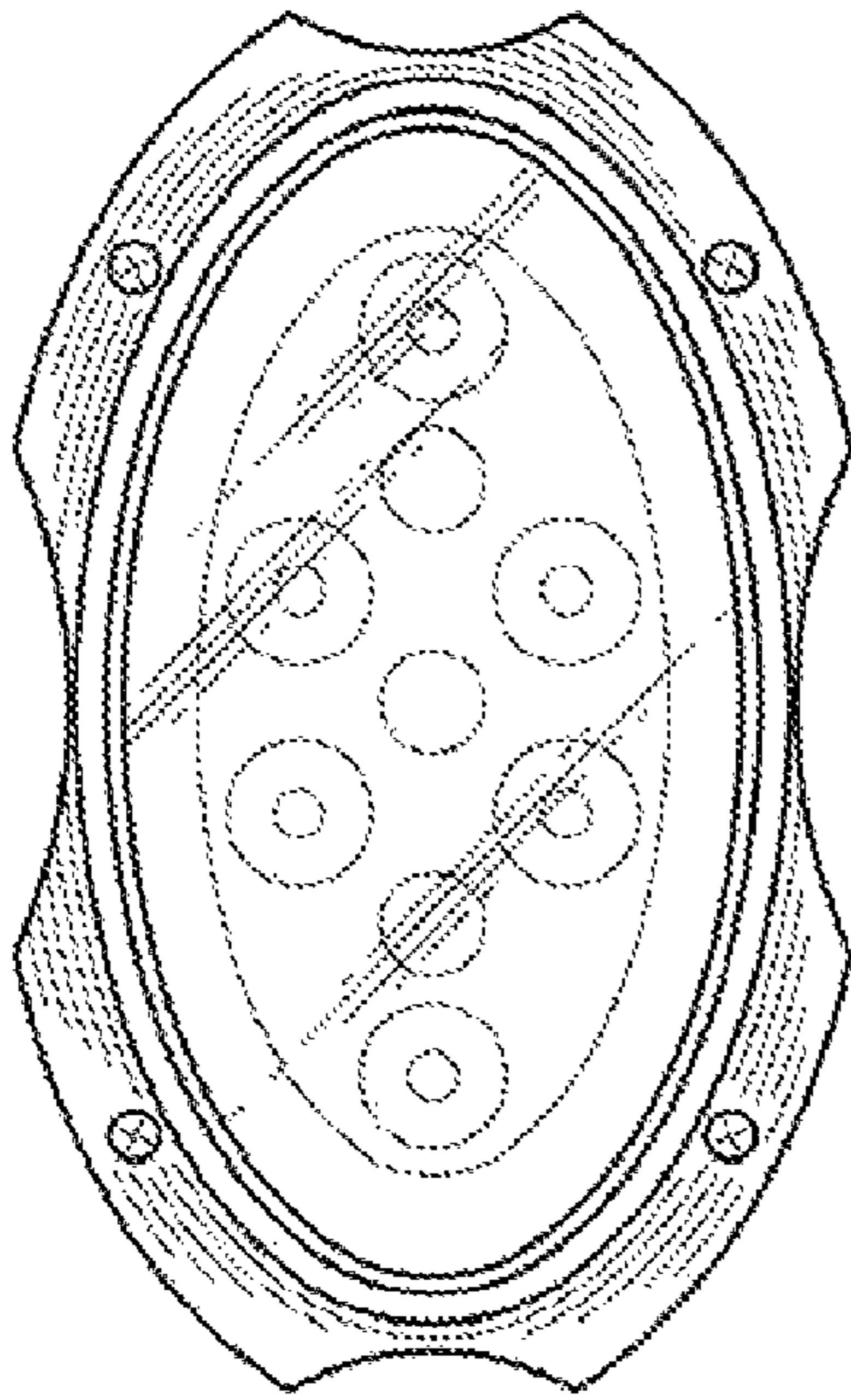


Fig. 5

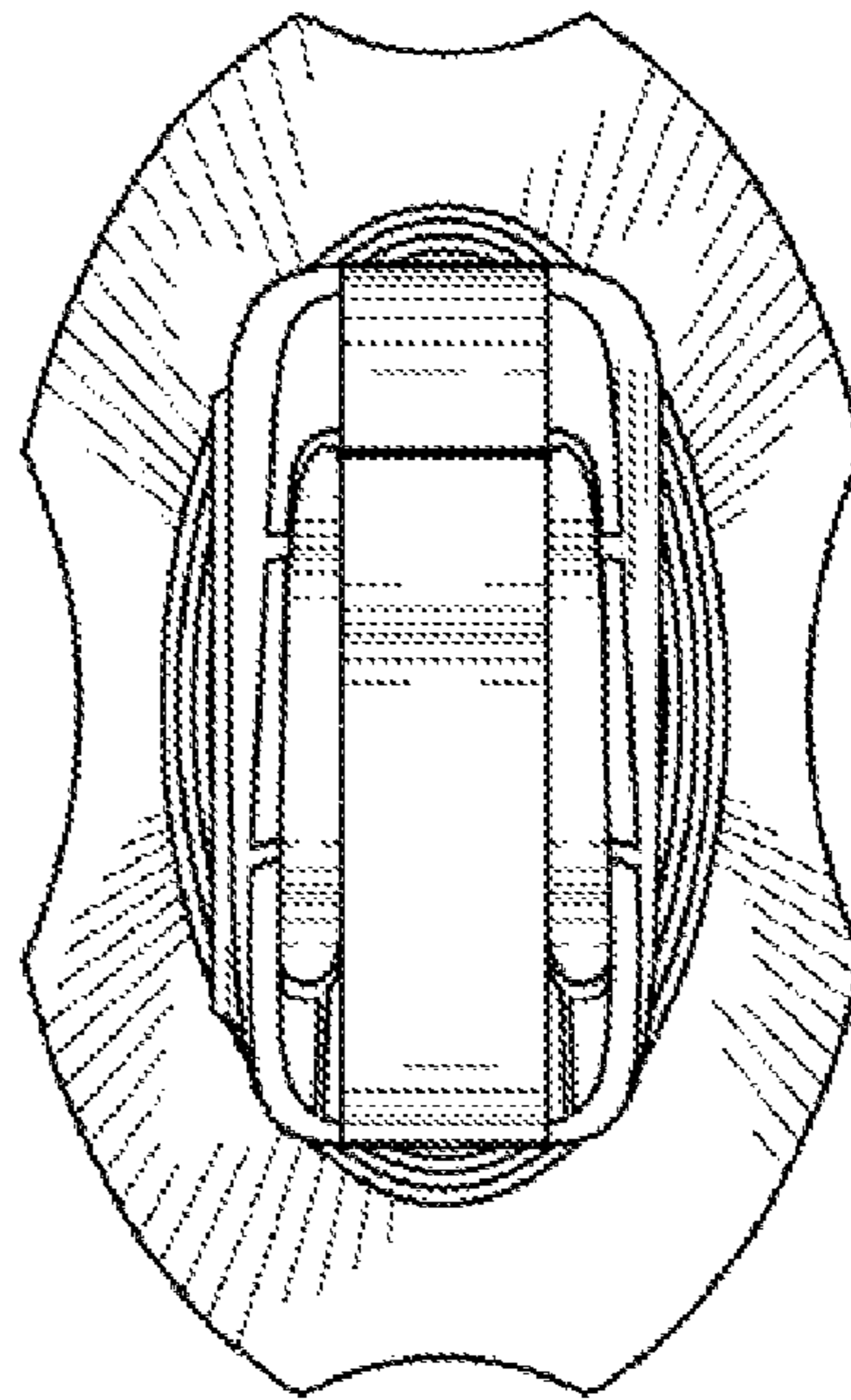


Fig. 6