



US00D606685S

(12) **United States Design Patent**  
**Holsinger**

(10) **Patent No.:** **US D606,685 S**

(45) **Date of Patent:** **\*\* Dec. 22, 2009**

(54) **LANTERN CARRY CASE**

(75) Inventor: **Philip M. Holsinger**, Arbor Vitae, WI (US)

(73) Assignee: **The Coleman Company, Inc.**, Wichita, KS (US)

(\*\*) Term: **14 Years**

(21) Appl. No.: **29/330,397**

(22) Filed: **Jan. 6, 2009**

(51) **LOC (9) Cl.** ..... **26-02**

(52) **U.S. Cl.** ..... **D26/40**

(58) **Field of Classification Search** ..... D26/37, D26/40, 38, 41, 46; 362/157, 158, 170-174, 362/183, 186, 192, 193, 196, 200-208, 388  
See application file for complete search history.

(56) **References Cited**

**U.S. PATENT DOCUMENTS**

|               |        |             |       |         |
|---------------|--------|-------------|-------|---------|
| D85,115 S *   | 9/1931 | Schulte     | ..... | D26/41  |
| D92,409 S *   | 6/1934 | Korte       | ..... | D26/41  |
| D100,074 S *  | 6/1936 | Graubner    | ..... | D26/40  |
| D109,353 S *  | 4/1938 | Wooga       | ..... | D26/40  |
| D380,060 S *  | 6/1997 | Chiang      | ..... | D26/37  |
| 6,042,366 A * | 3/2000 | Long et al. | ..... | 362/159 |
| D503,006 S    | 3/2005 | May et al.  |       |         |
| D544,621 S *  | 6/2007 | Kim         | ..... | D26/37  |

|                |        |                   |       |         |
|----------------|--------|-------------------|-------|---------|
| 7,367,696 B2 * | 5/2008 | Richardson et al. | ..... | 362/388 |
| D570,510 S *   | 6/2008 | DeBrunner         | ..... | D26/40  |
| D576,756 S *   | 9/2008 | DeBrunner         | ..... | D26/40  |

\* cited by examiner

*Primary Examiner*—Ian Simmons

*Assistant Examiner*—Carissa C Fitts

(74) *Attorney, Agent, or Firm*—Kelly S. Elsea

(57) **CLAIM**

The ornamental design for a lantern carry case, as shown and described.

**DESCRIPTION**

FIG. 1 is a front side perspective view of my lantern carry case;

FIG. 2 is a front elevation view thereof;

FIG. 3 is a rear elevation view thereof;

FIG. 4 is a left side elevation view thereof;

FIG. 5 is a right side elevation view thereof;

FIG. 6 is a top plan view thereof; and

FIG. 7 is a bottom plan view thereof; and,

FIG. 8 is a perspective view showing the carry case in an open configuration.

The broken line showing is for illustrative purposes only and forms no part of claimed design.

**1 Claim, 6 Drawing Sheets**

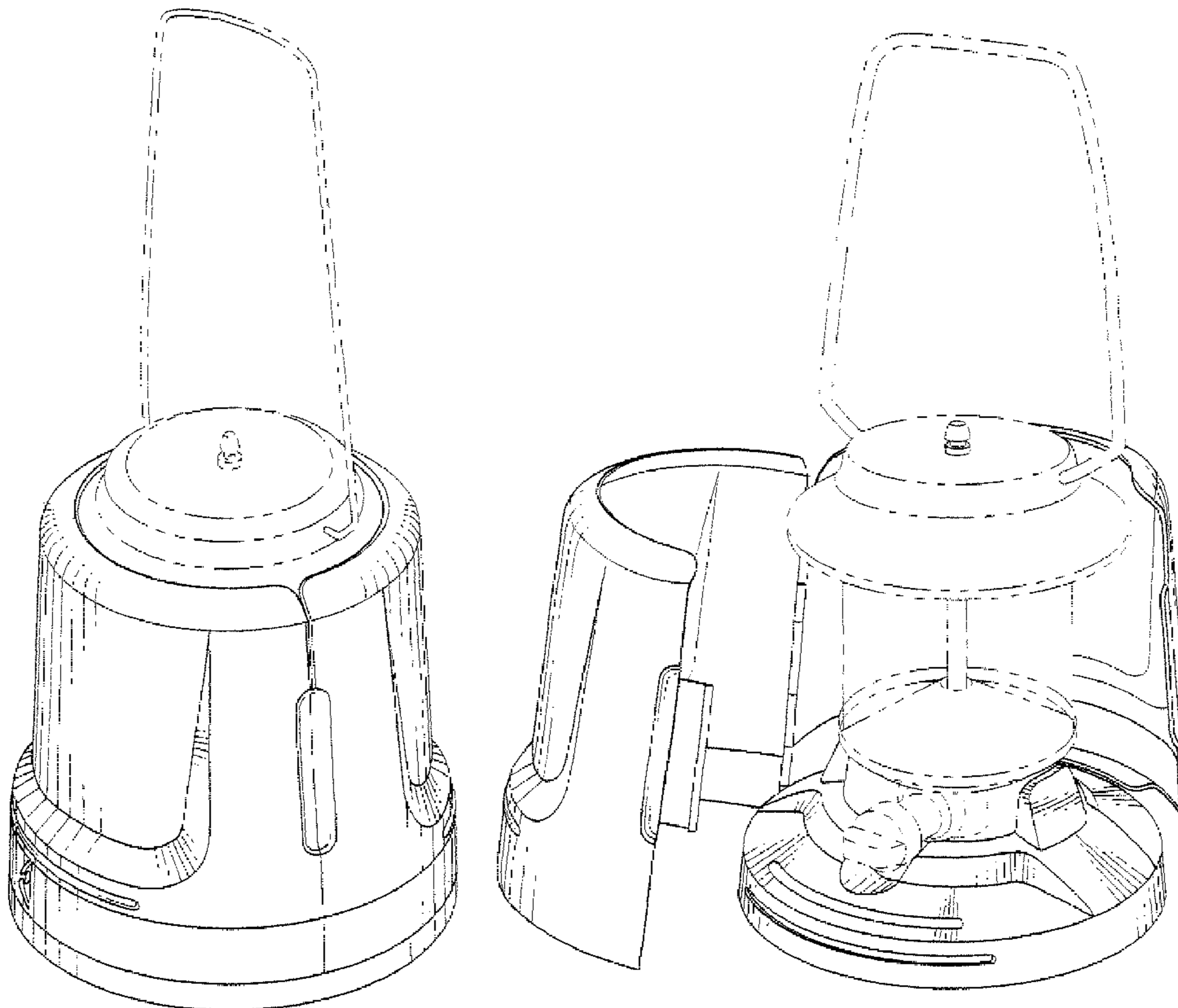


FIG. 1

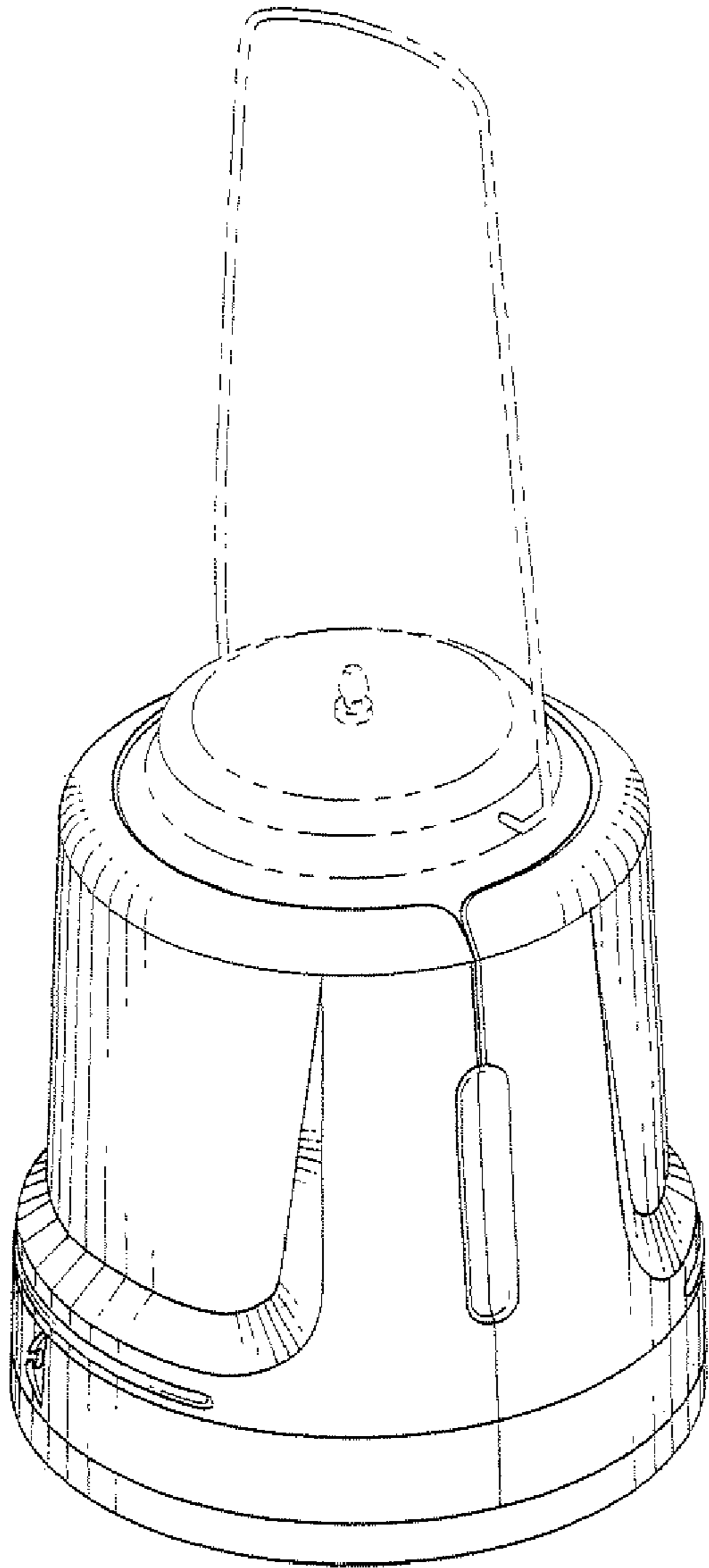


FIG. 2

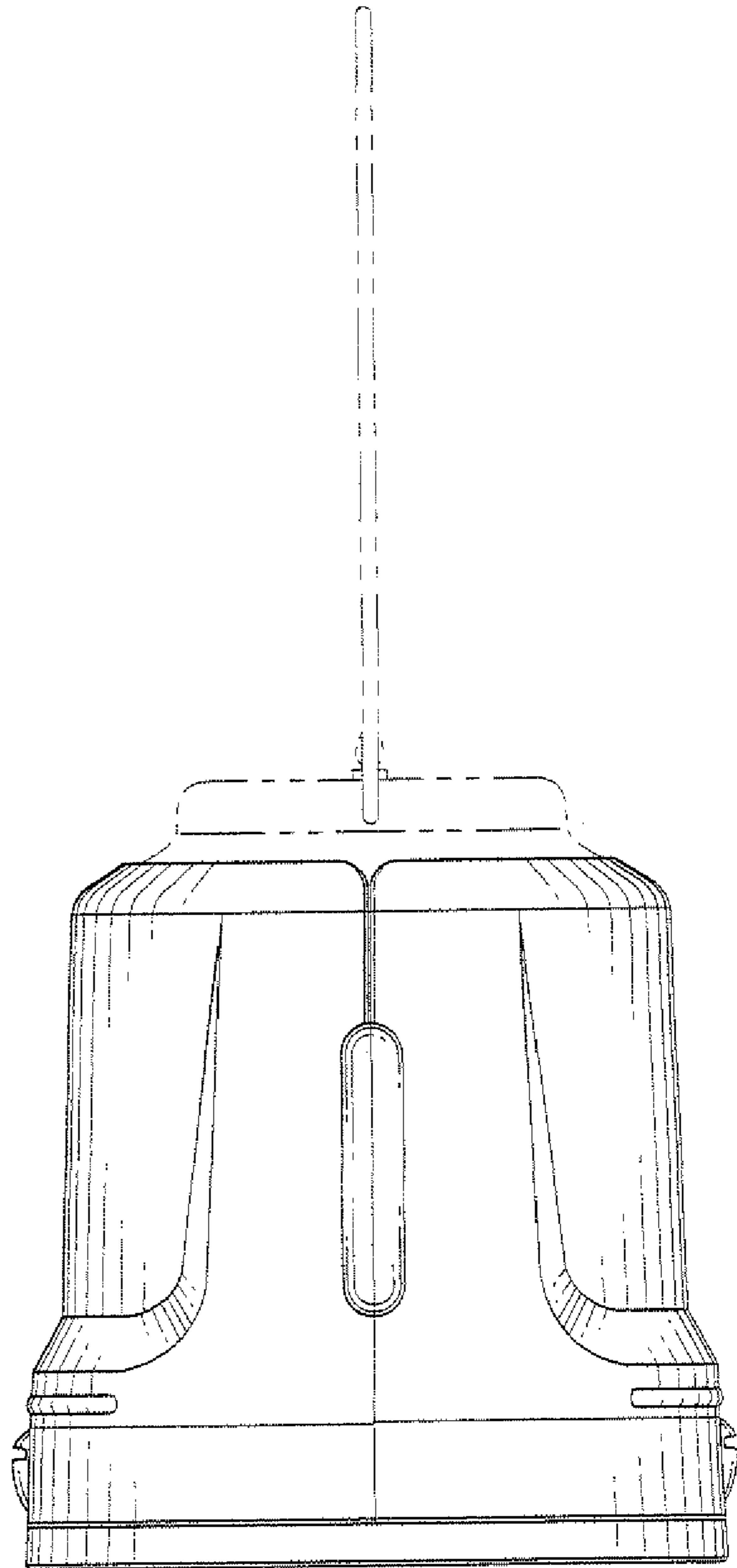


FIG. 3

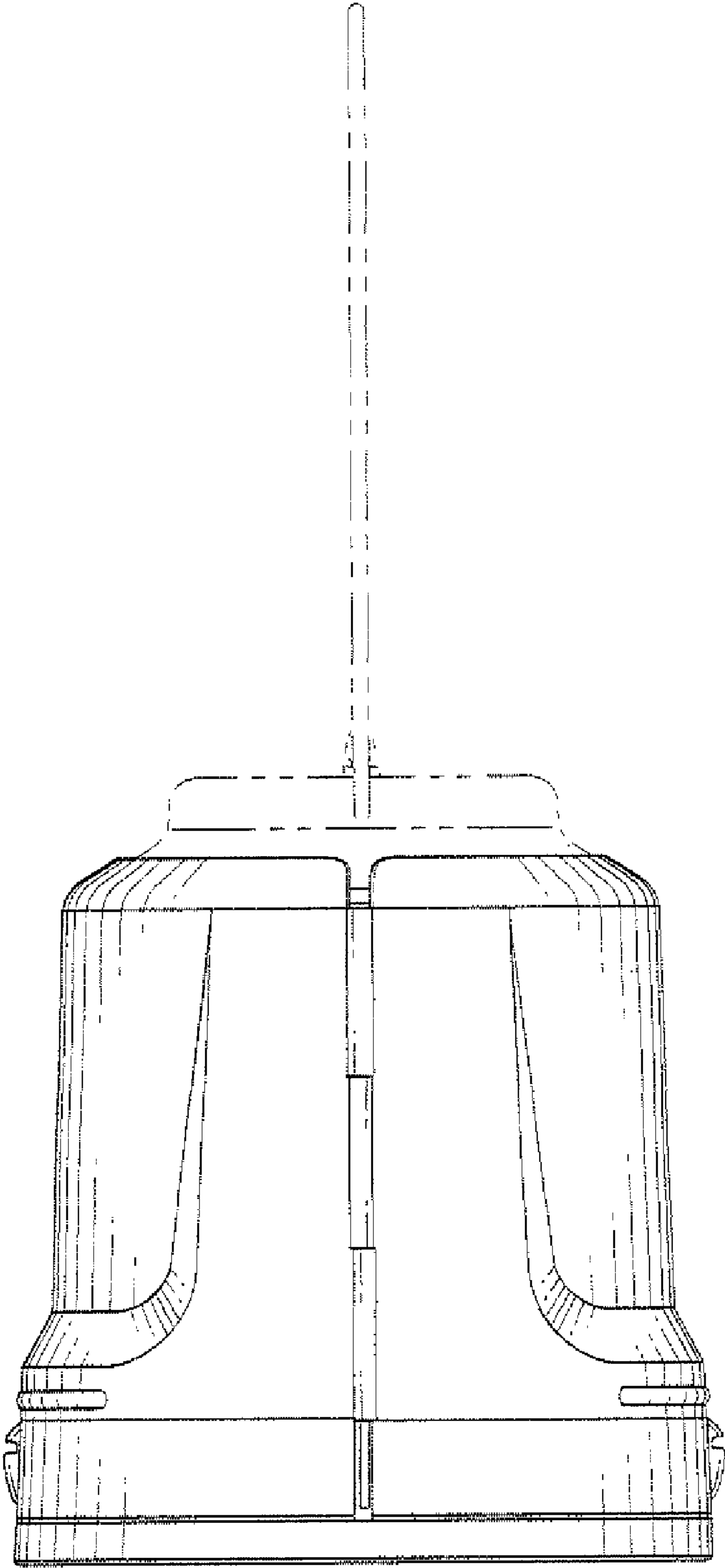


FIG. 4

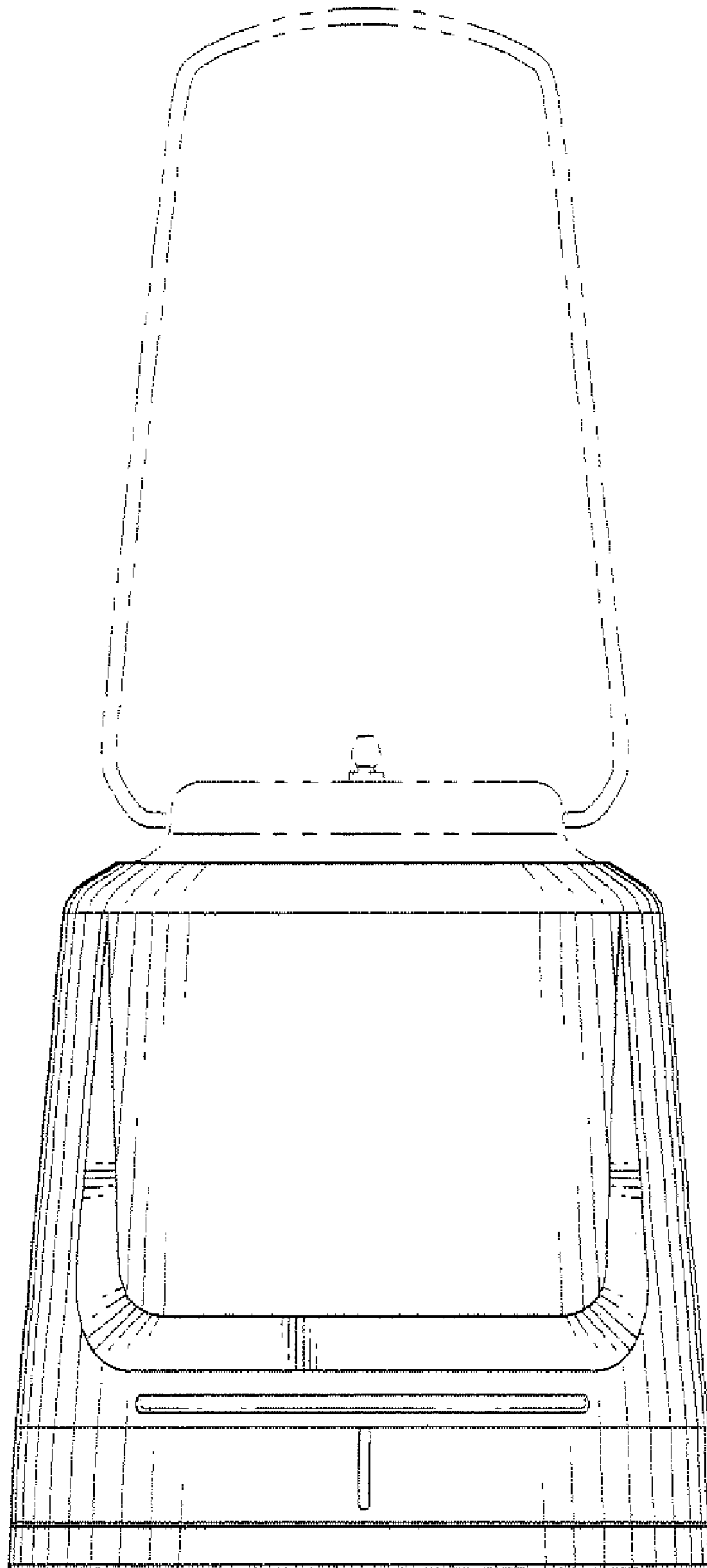


FIG. 5

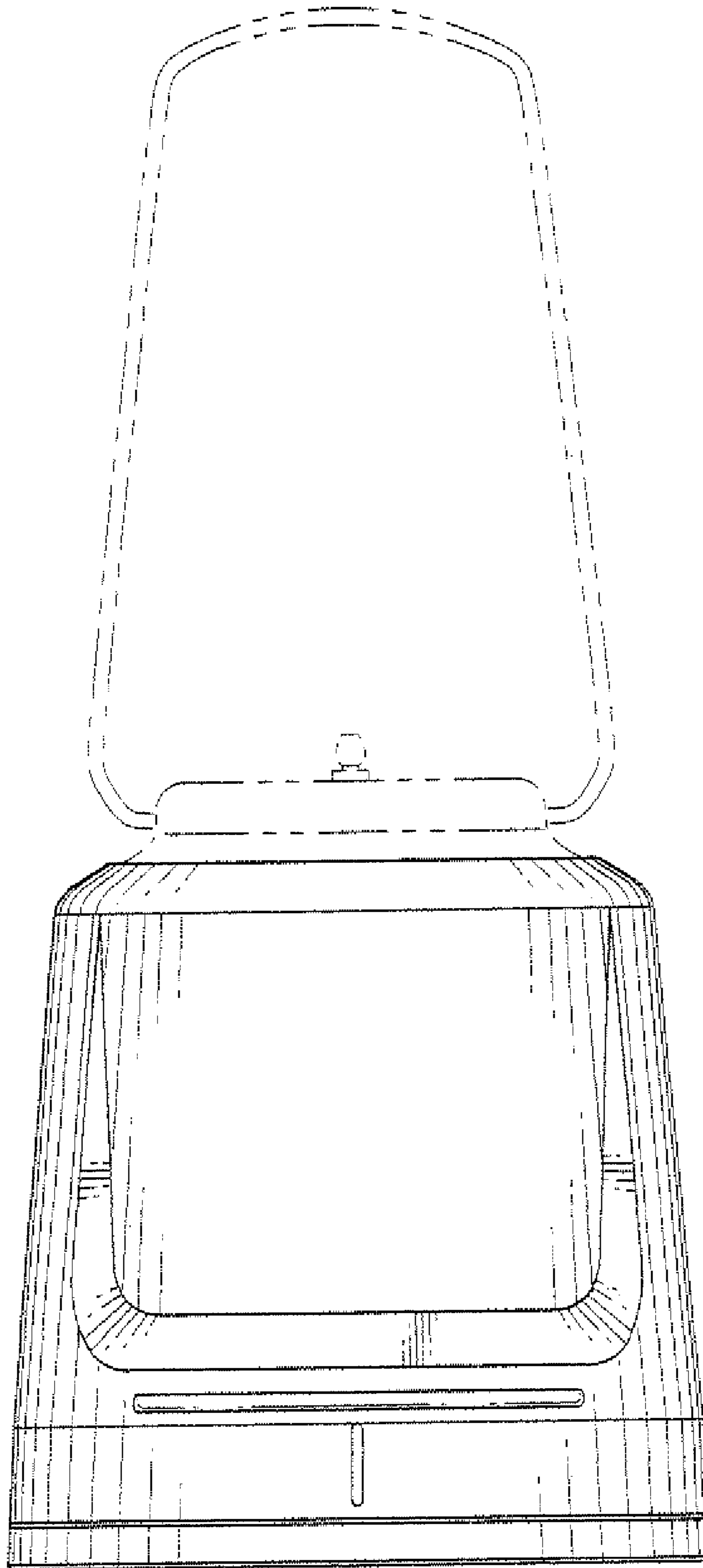


FIG. 6

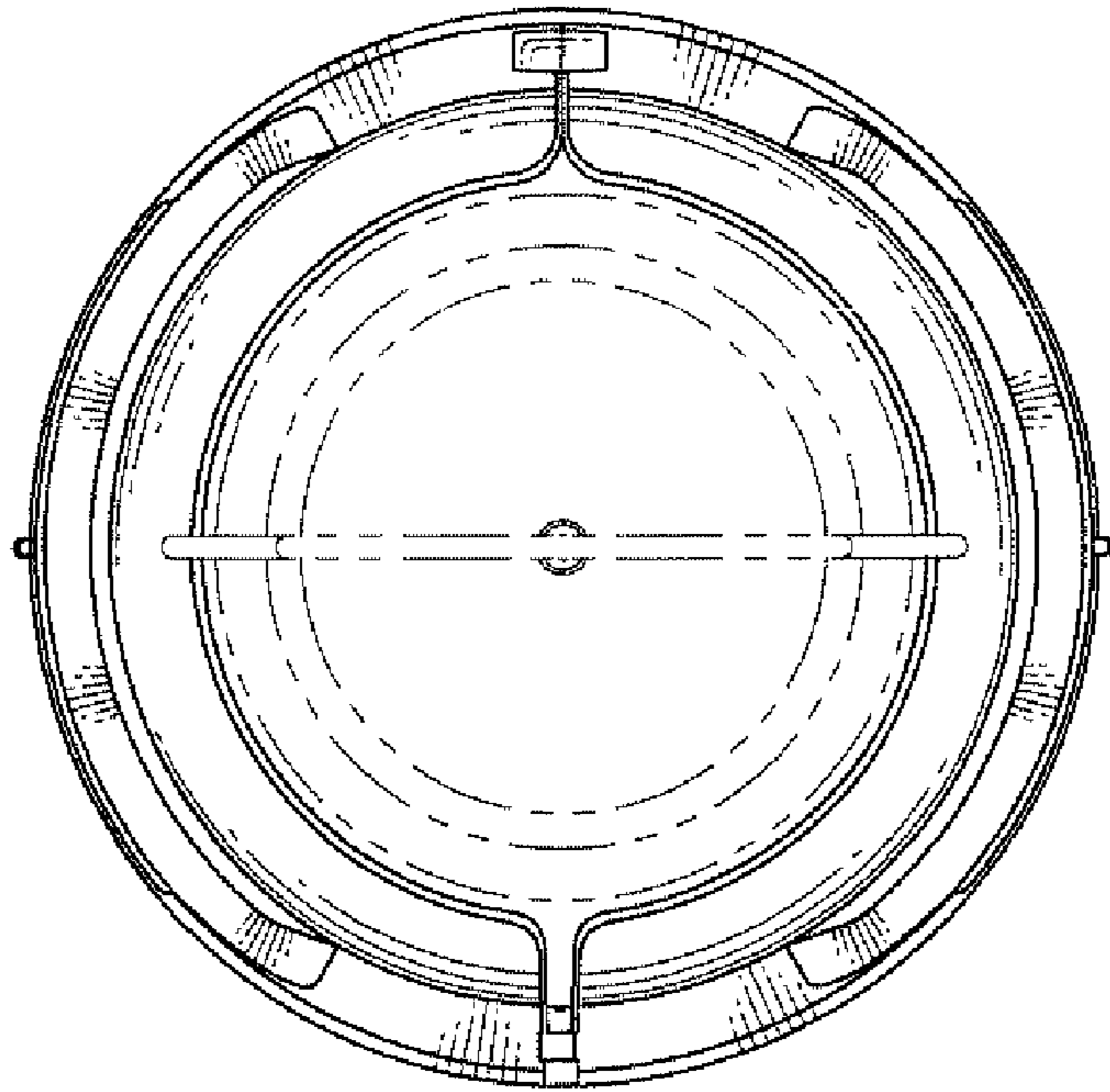


FIG. 7

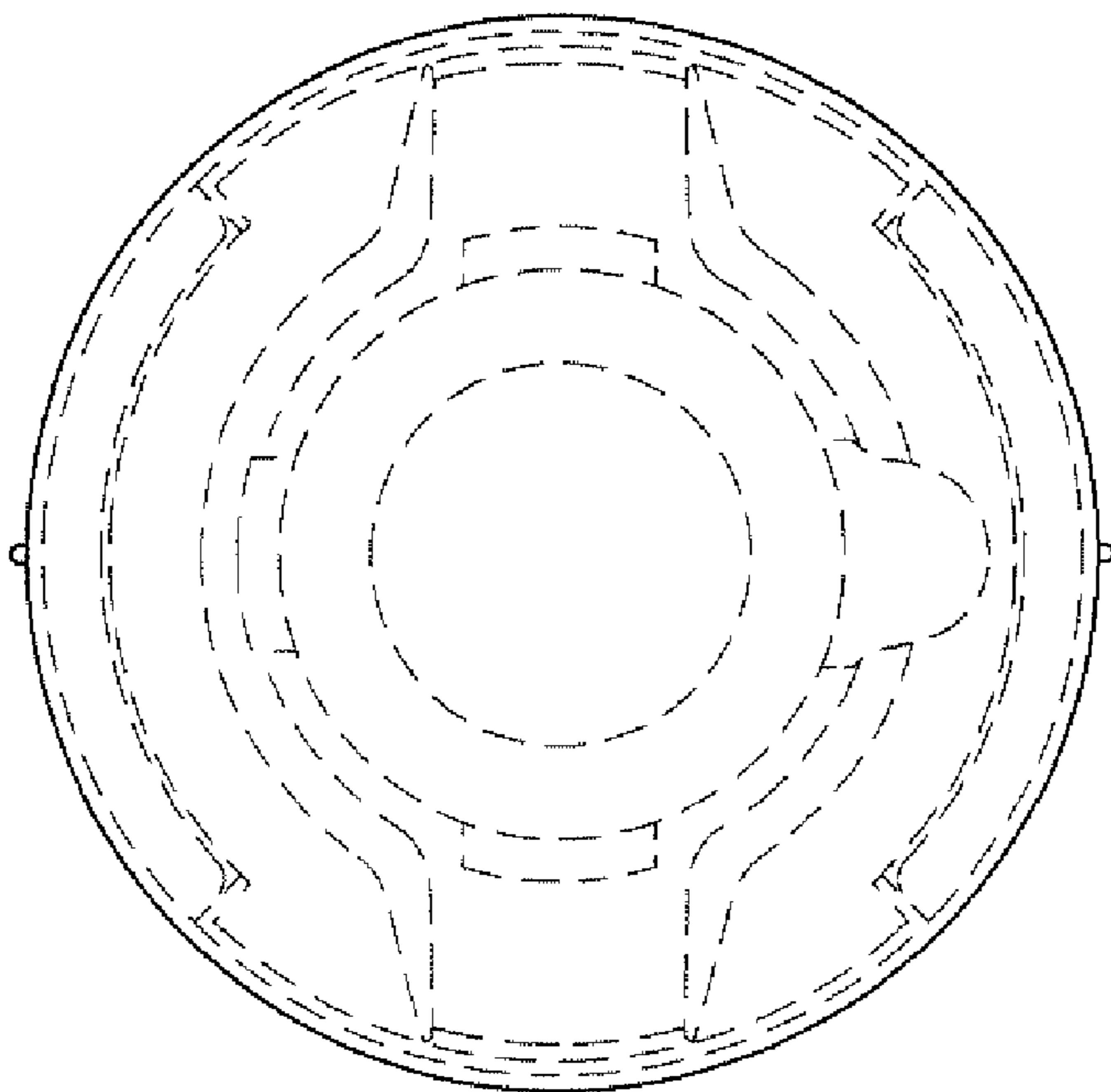


FIG. 8

