



US00D606684S

(12) **United States Design Patent**
Sokuza

(10) **Patent No.:** **US D606,684 S**

(45) **Date of Patent:** **** Dec. 22, 2009**

(54) **STROBOSCOPE**

D579,563 S * 10/2008 Hensler et al. D24/138
D584,842 S * 1/2009 Sham D26/37

(75) Inventor: **Masashi Sokuza**, Kyoto (JP)

FOREIGN PATENT DOCUMENTS

(73) Assignee: **Nidec-Shimpo Corporation**, Kyoto (JP)

JP 7-5063 1/1995
JP 2546029 5/1997
JP 2001-96725 4/2001

(**) Term: **14 Years**

* cited by examiner

(21) Appl. No.: **29/326,939**

Primary Examiner—Ian Simmons

(22) Filed: **Oct. 28, 2008**

Assistant Examiner—Carissa C Fitts

(30) **Foreign Application Priority Data**

(74) *Attorney, Agent, or Firm*—Pearne & Gordon LLP

Apr. 28, 2008 (JP) 2008-10876

(57) **CLAIM**

(51) **LOC (9) Cl.** **26-02**

The ornamental design for a stroboscope, as shown and described.

(52) **U.S. Cl.** **D26/37**

(58) **Field of Classification Search** D26/37,
D26/46, 49; 362/157, 158, 183, 184, 194–196,
362/200–208

DESCRIPTION

See application file for complete search history.

FIG. 1 is a first front view, showing my new stroboscope.

FIG. 2 is a rear view thereof;

FIG. 3 is a left side view thereof;

FIG. 4 is a right side view thereof;

FIG. 5 is a top view thereof;

FIG. 6 is a bottom view thereof;

FIG. 7 is a first perspective view thereof; and,

FIG. 8 is a second perspective view thereof.

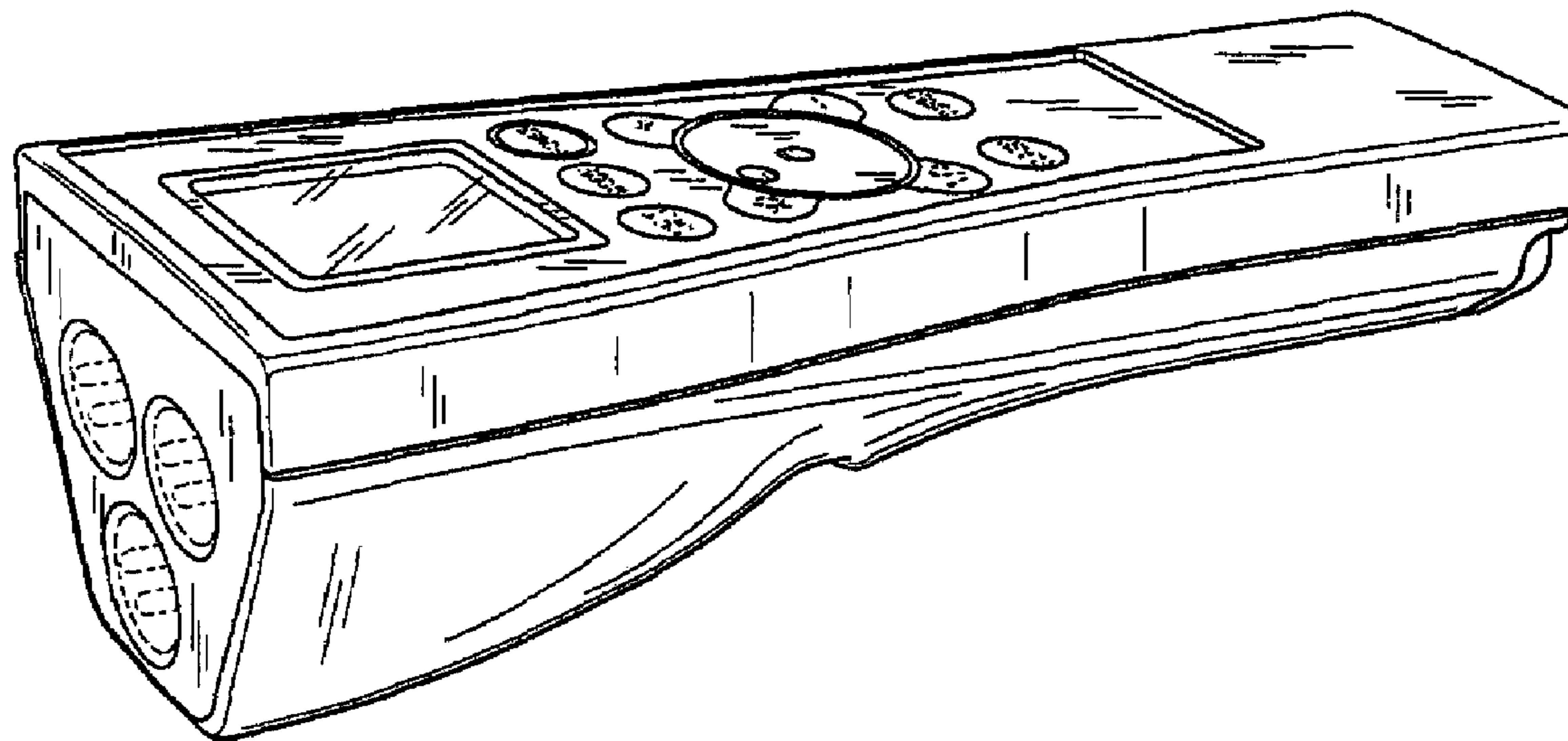
The broken lines presented in the drawings are for illustrative purposes only and form no part of the claimed design.

(56) **References Cited**

U.S. PATENT DOCUMENTS

4,117,395 A 9/1978 Redfield
D428,503 S * 7/2000 Rann et al. D26/46
D482,151 S * 11/2003 Shiu D26/49
D492,805 S 7/2004 Woolfson
D496,481 S * 9/2004 Wiesmeth D26/49
D542,952 S * 5/2007 Bhavnani D26/37
D545,467 S * 6/2007 Chun D26/37
D546,989 S * 7/2007 Chun D26/37
D572,393 S * 7/2008 Johnston et al. D26/37

1 Claim, 3 Drawing Sheets



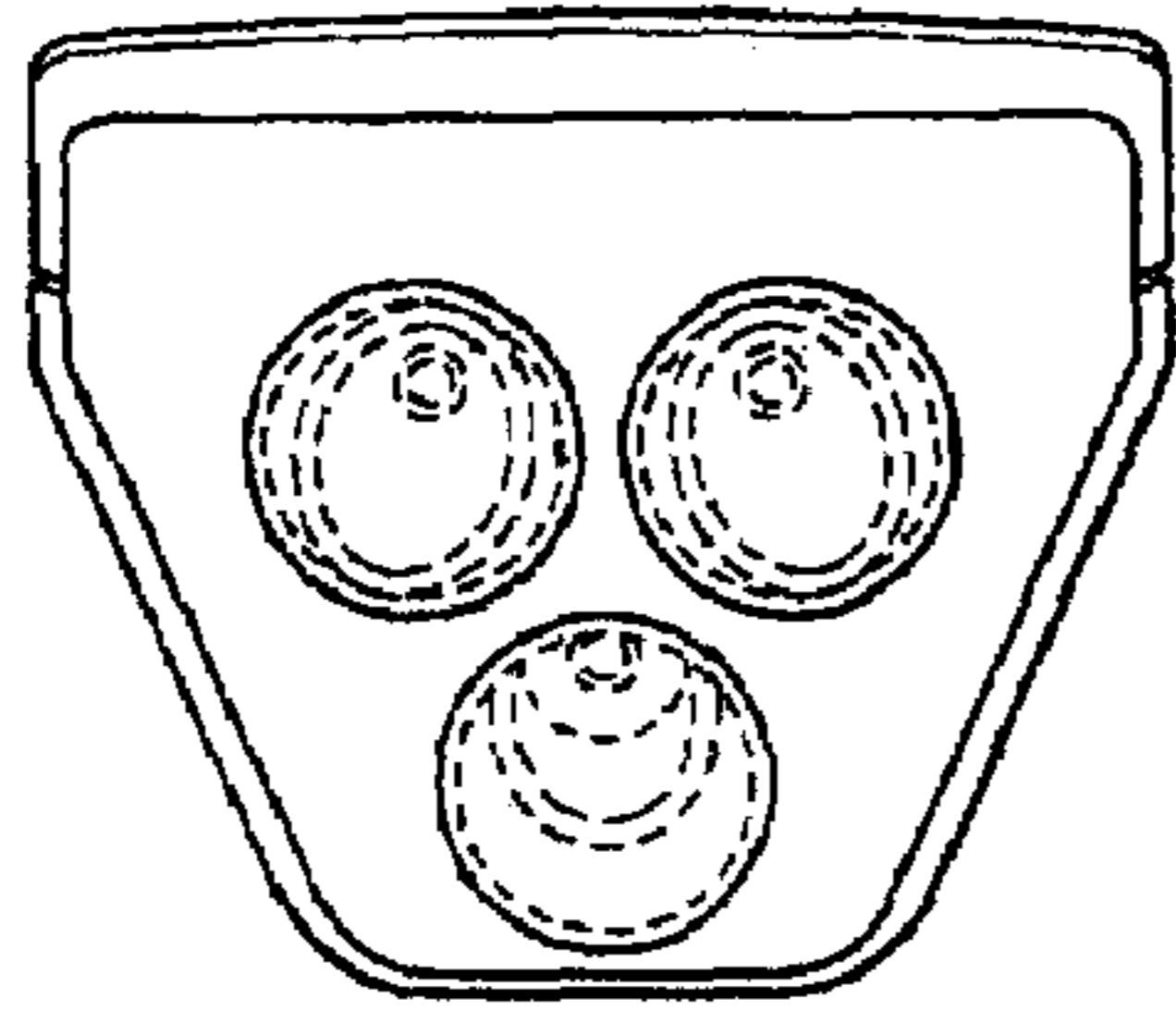


FIG. 1

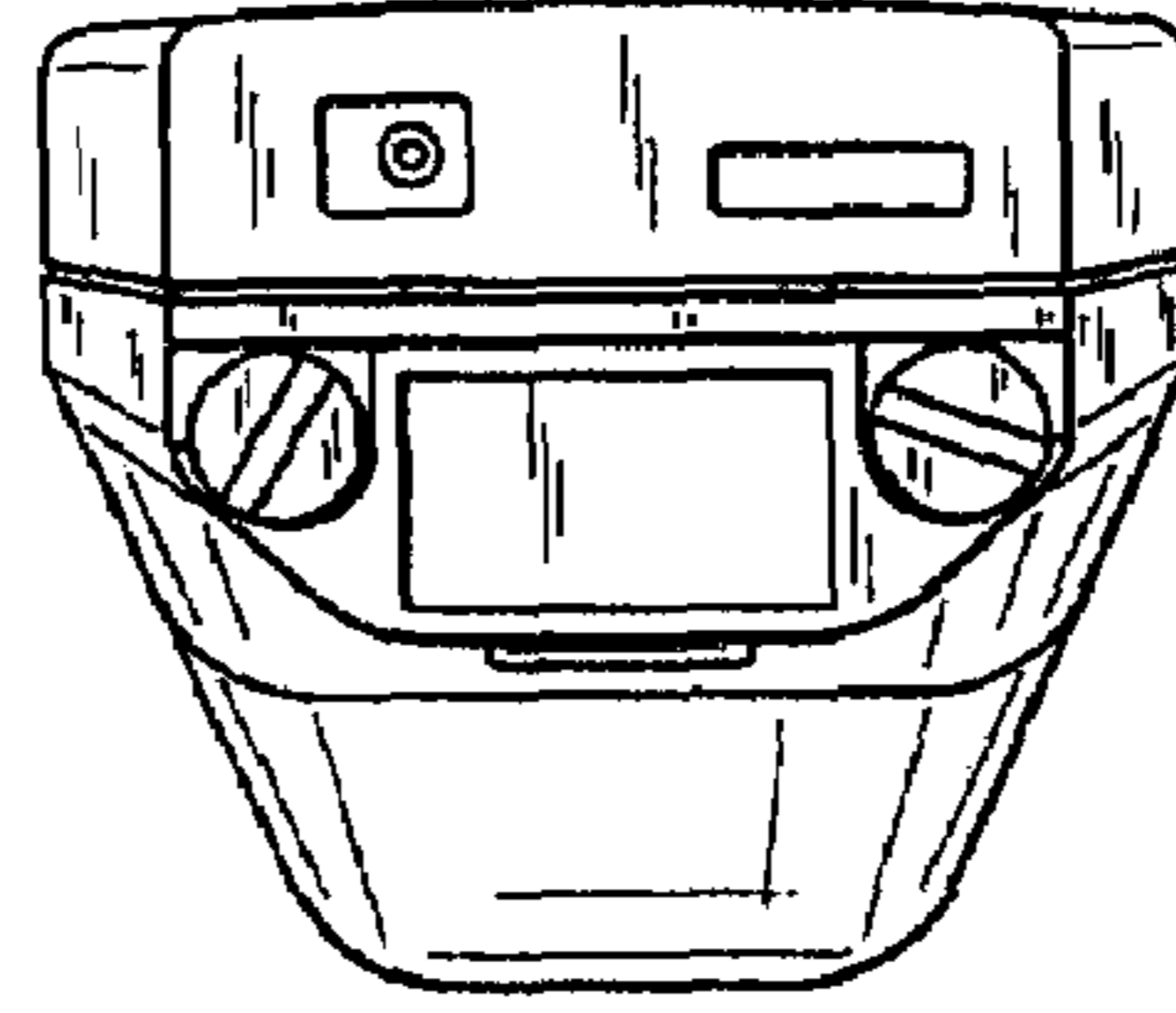


FIG. 2

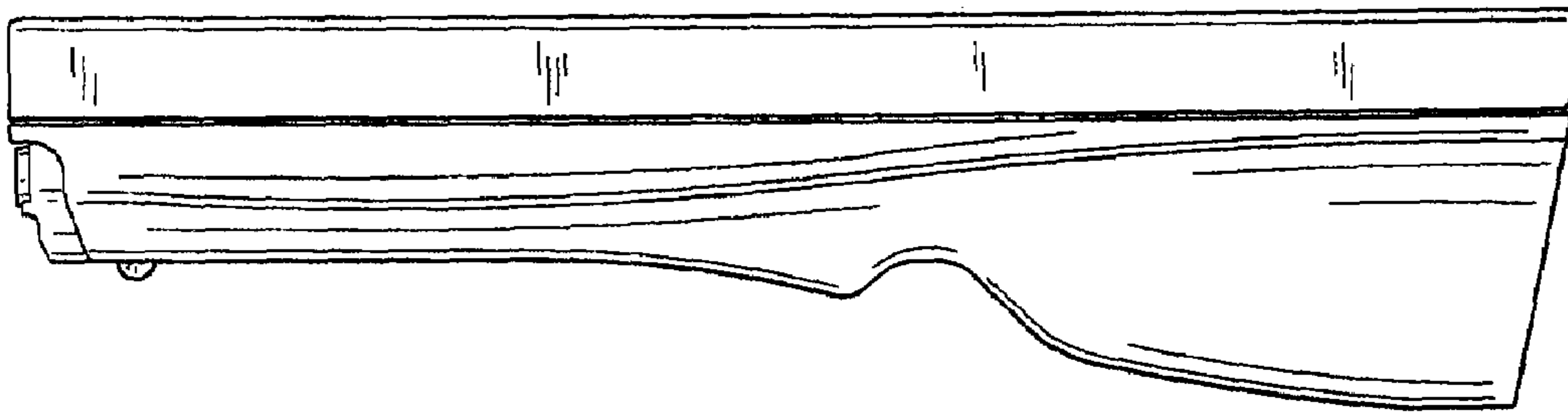


FIG. 3

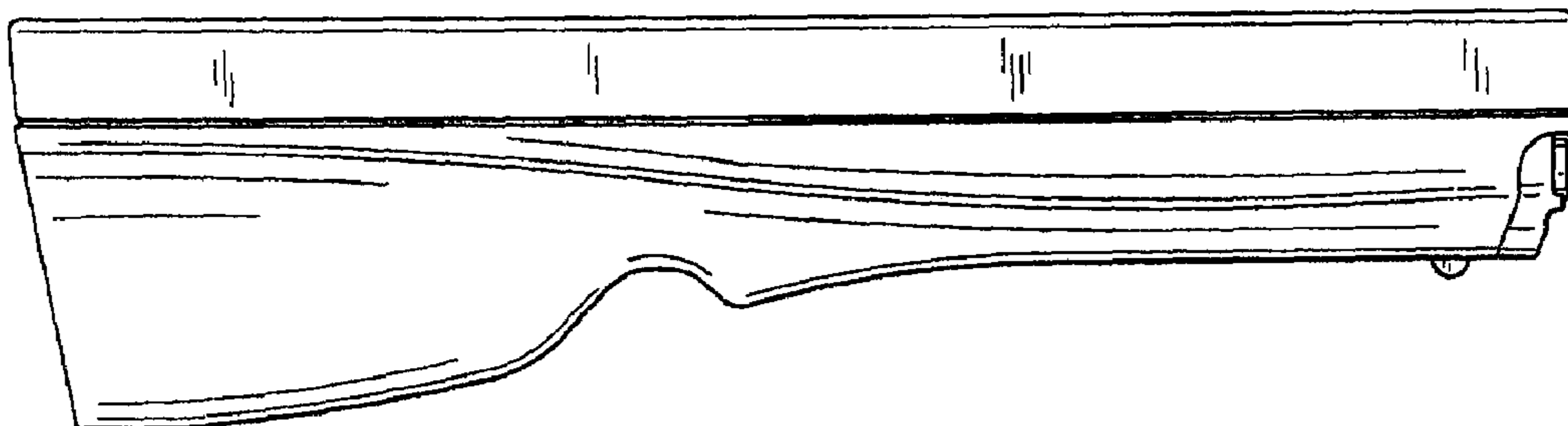


FIG. 4

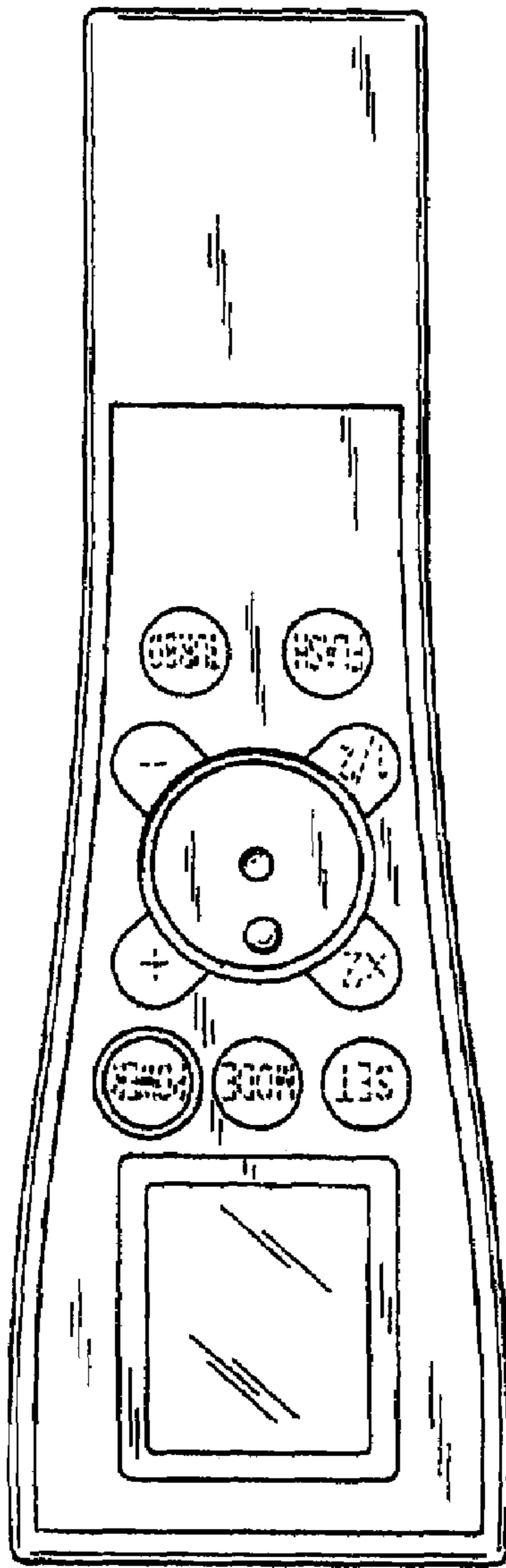


FIG. 5

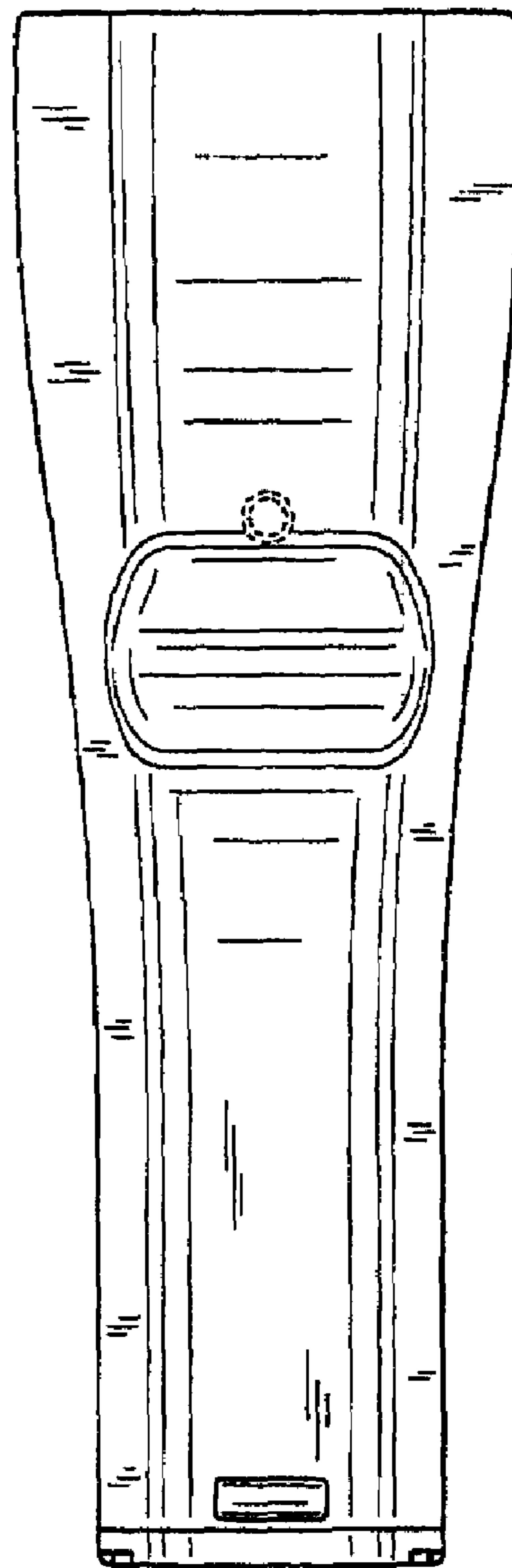


FIG. 6

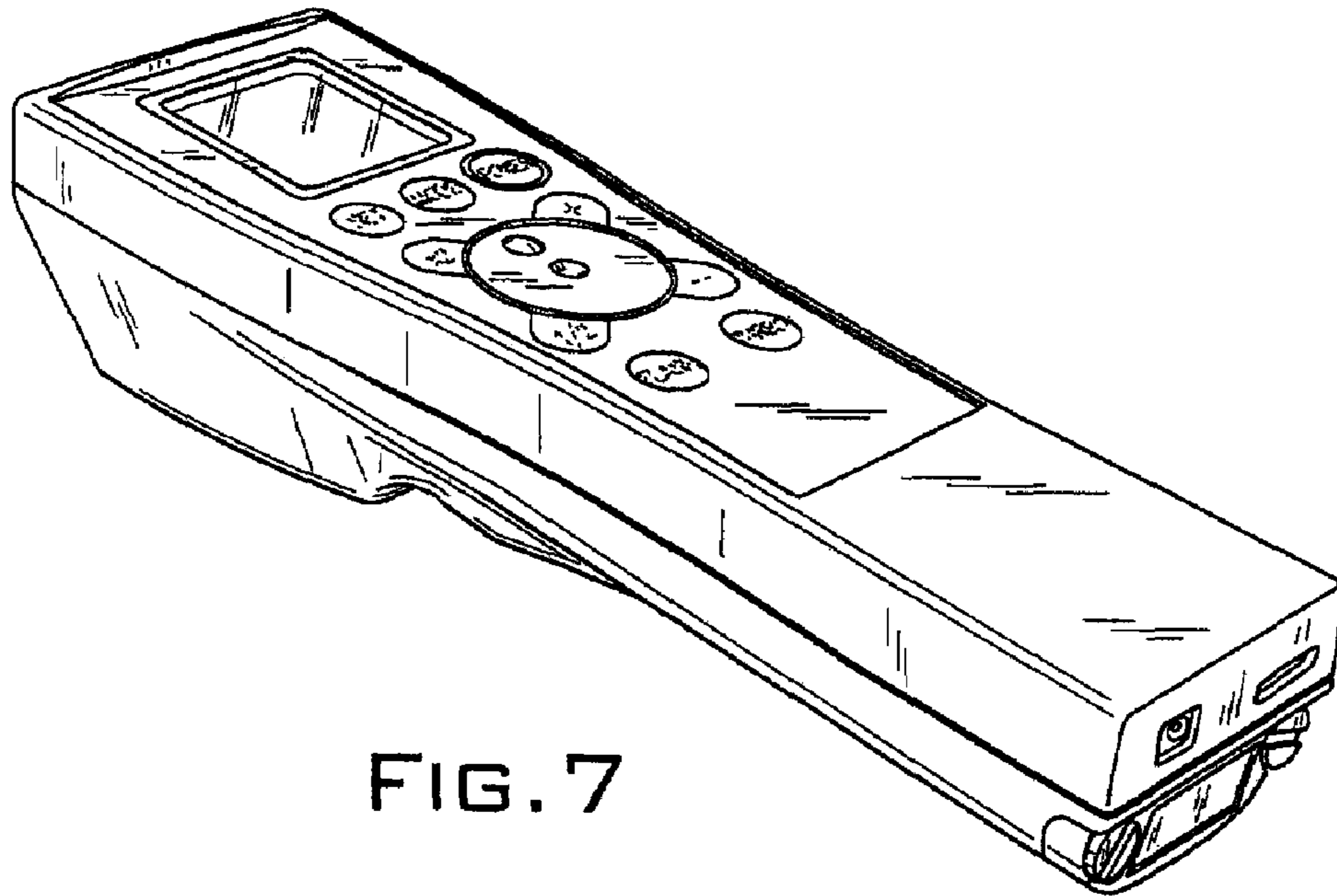


FIG. 7

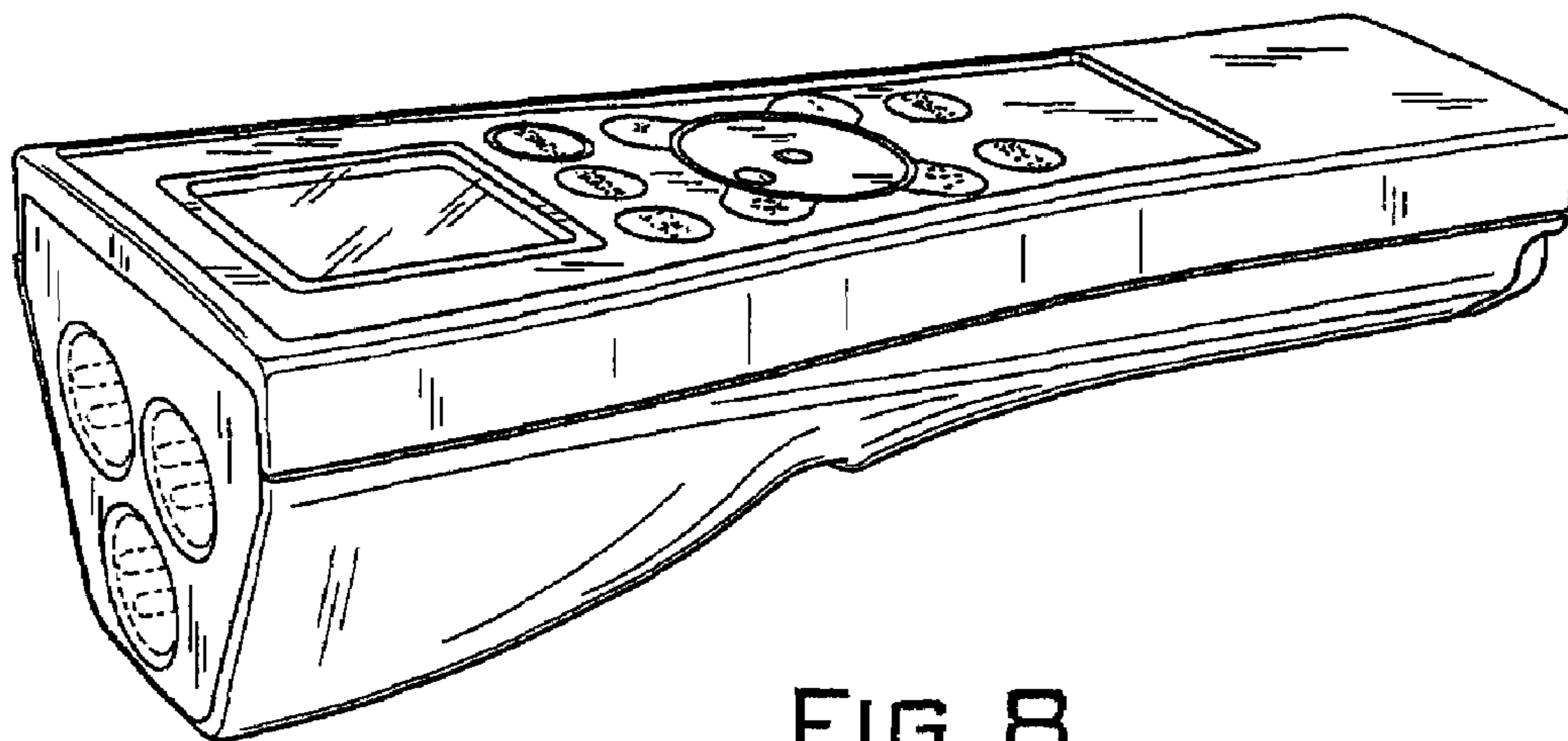


FIG. 8