



US00D606683S

(12) **United States Design Patent**  
**George et al.**

(10) **Patent No.:** **US D606,683 S**

(45) **Date of Patent:** **\*\* Dec. 22, 2009**

(54) **VEHICLE TAILLIGHT**

(75) Inventors: **Kevin George**, Canton, MI (US);  
**Richard Woolley**, Westwood Heath  
(GB); **Kyle G. Evans**, Dearborn, MI  
(US)

(73) Assignee: **Ford Motor Company**, Dearborn, MI  
(US)

(\*\*) Term: **14 Years**

(21) Appl. No.: **29/339,750**

(22) Filed: **Jul. 7, 2009**

(51) **LOC (9) Cl.** ..... **26-06**

(52) **U.S. Cl.** ..... **D26/28**

(58) **Field of Classification Search** ..... D26/28-36;  
362/459-468, 475-478, 485-487

See application file for complete search history.

(56) **References Cited**

U.S. PATENT DOCUMENTS

D549,363 S *	8/2007	Pfeiffer	.....	D26/28
D553,268 S *	10/2007	Pfeiffer	.....	D26/28
D553,269 S *	10/2007	Pfeiffer et al.	.....	D26/28
D560,292 S *	1/2008	Sato	.....	D26/28
D565,211 S *	3/2008	Haller et al.	.....	D26/28
D570,015 S *	5/2008	Hsu	.....	D26/28
D574,524 S *	8/2008	Tomatsu	.....	D26/28

\* cited by examiner

*Primary Examiner*—Marcus A Jackson  
(74) *Attorney, Agent, or Firm*—Damian Porcari

(57) **CLAIM**

The ornamental design for a vehicle taillight, as shown and described.

**DESCRIPTION**

FIG. 1 is a left side elevational view of a left vehicle taillight (the right vehicle taillight being a mirror and is not illustrated);

FIG. 2 is a right side elevational view of the vehicle taillight;

FIG. 3 is a front elevational view of the vehicle taillight;

FIG. 4 is a rear elevational view of the vehicle taillight;

FIG. 5 is a top plan view of the vehicle taillight;

FIG. 6 is a bottom plan view of the vehicle taillight; and,

FIG. 7 is a perspective view of the vehicle taillight.

The absence or presence of surfaces on the area enclosed by broken lines is not relied upon for patentability or infringement. The surfaces enclosed by broken lines are illustrated in lighter tones to distinguish them from the claimed surfaces. Any broken lines represent an internal boundary of the design; the line itself and the area within form no part of the claim. Views are orthogonal projections rendered from computer aided design data. The vehicle taillight is intended to be observed in various states of internal illumination as well as in daylight with no internal illumination.

**1 Claim, 7 Drawing Sheets**

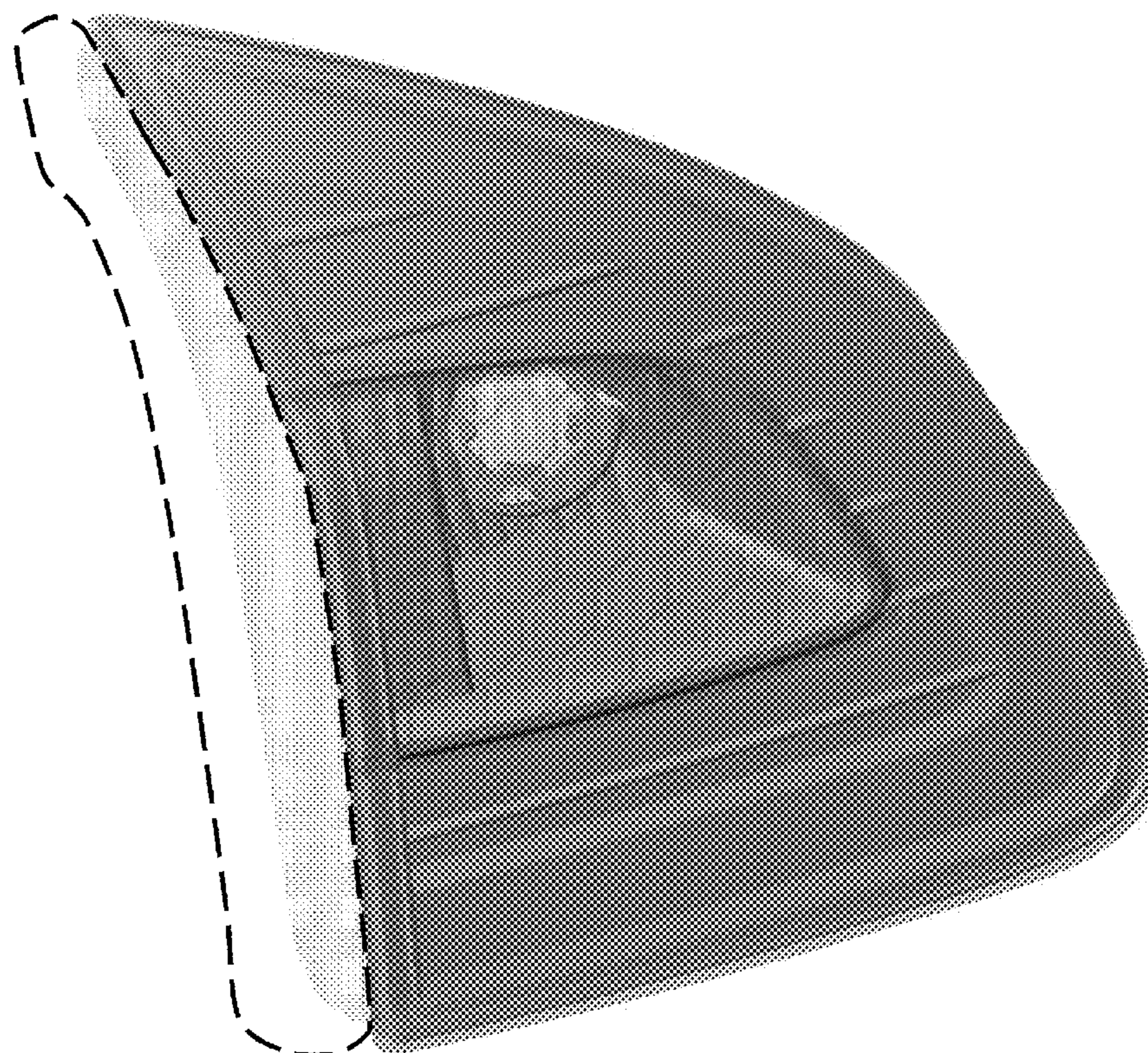
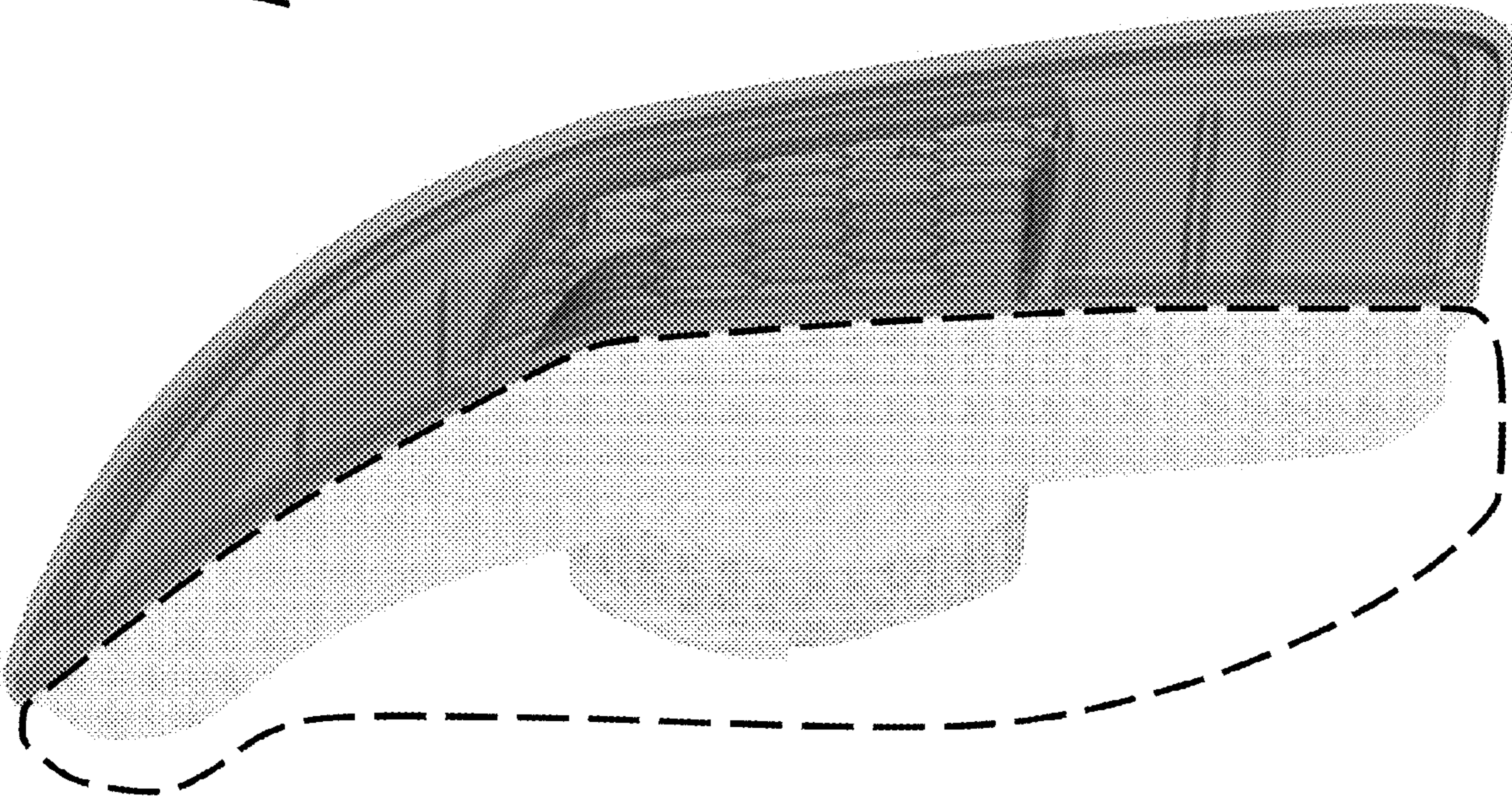




Figure 1



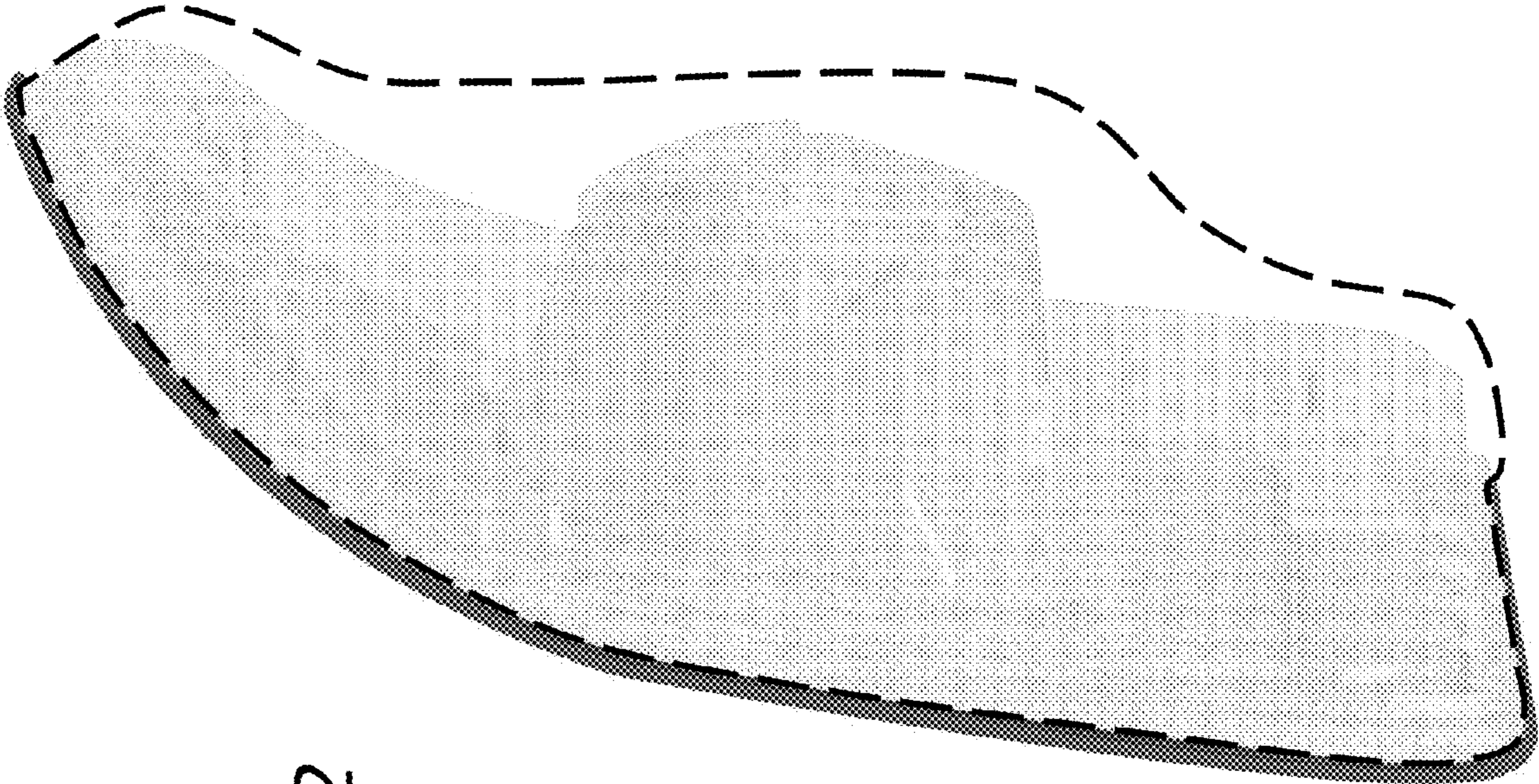
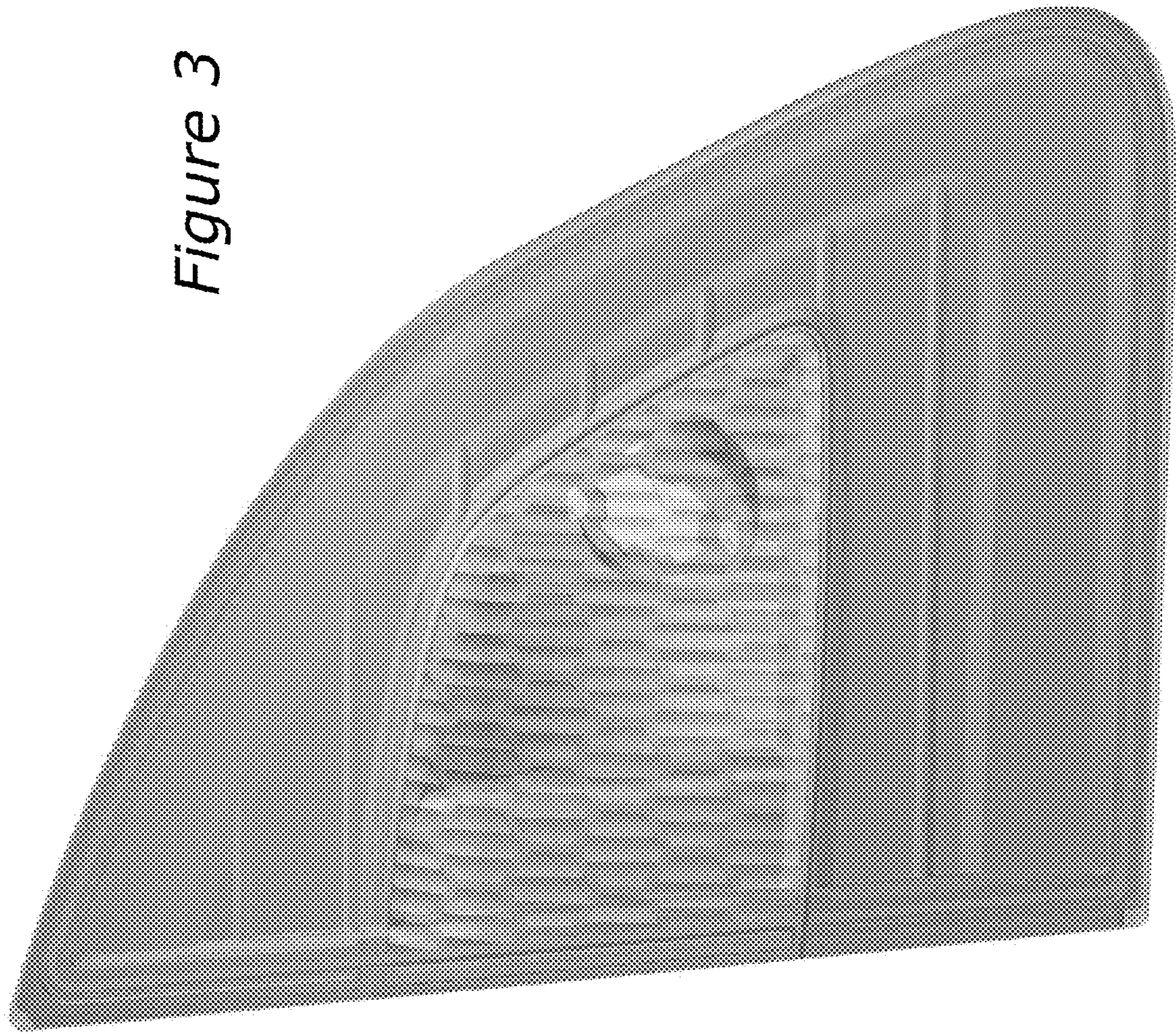


Figure 2



Figure 3





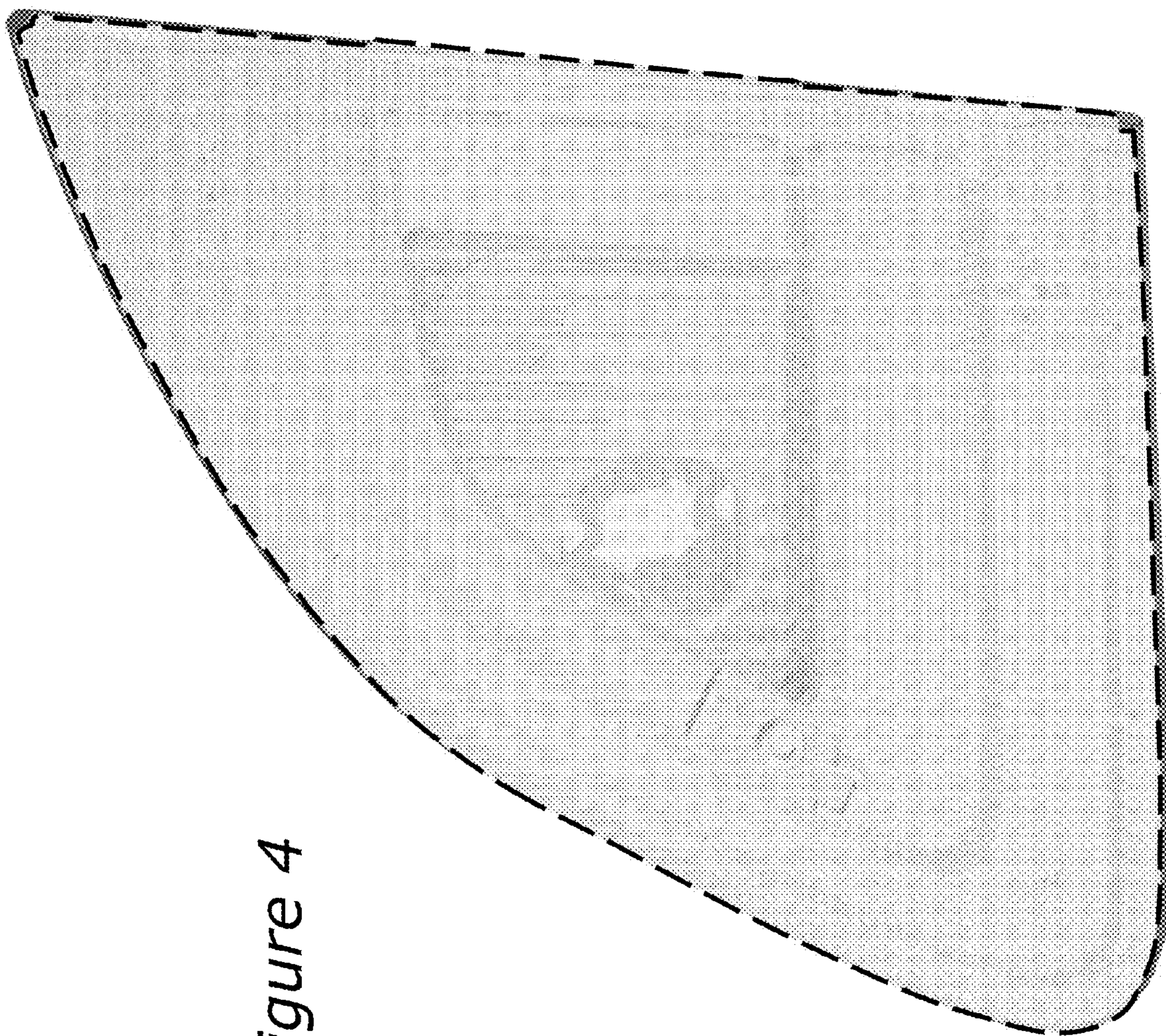


Figure 4



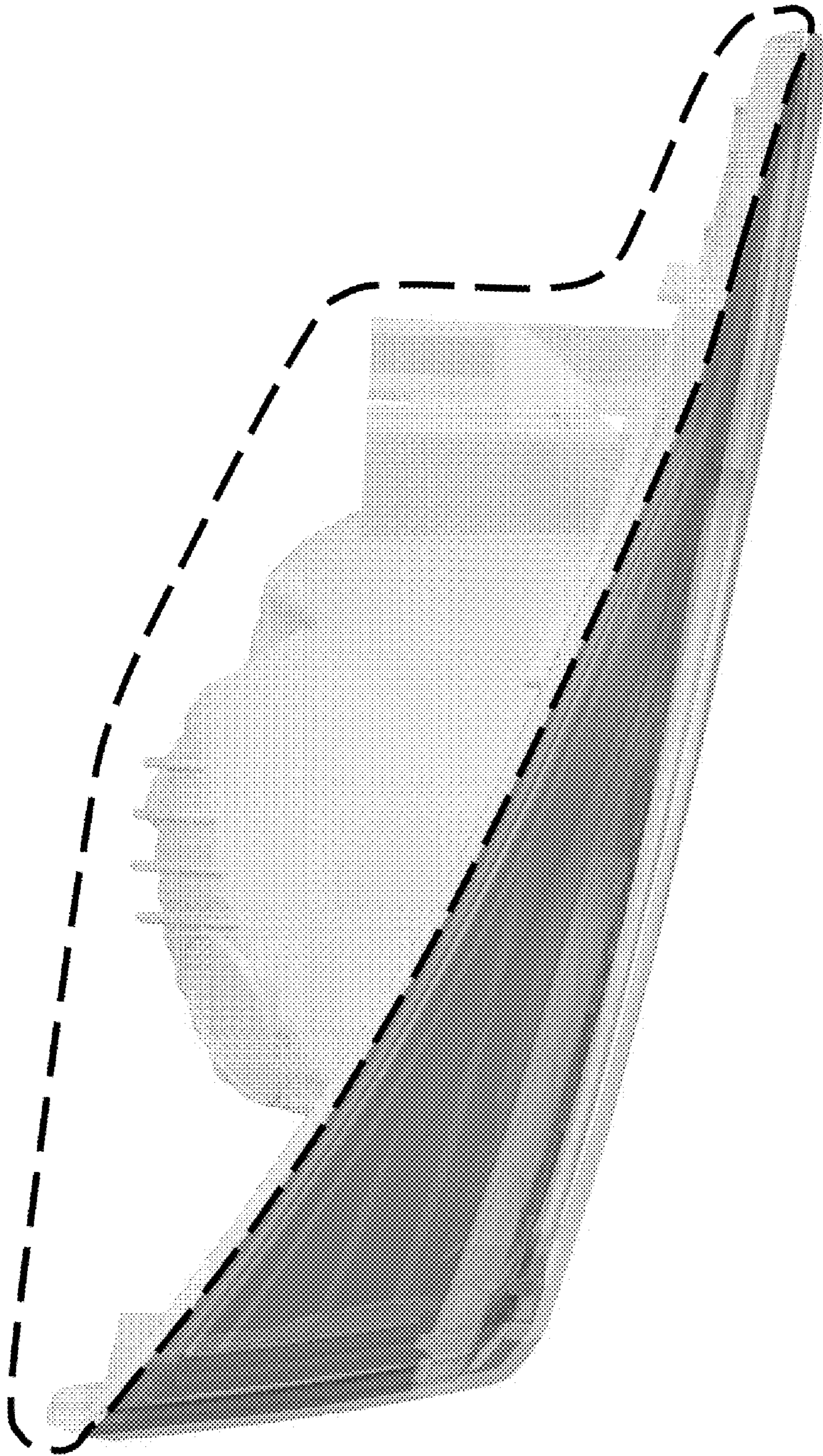


Figure 5



*Figure 6*

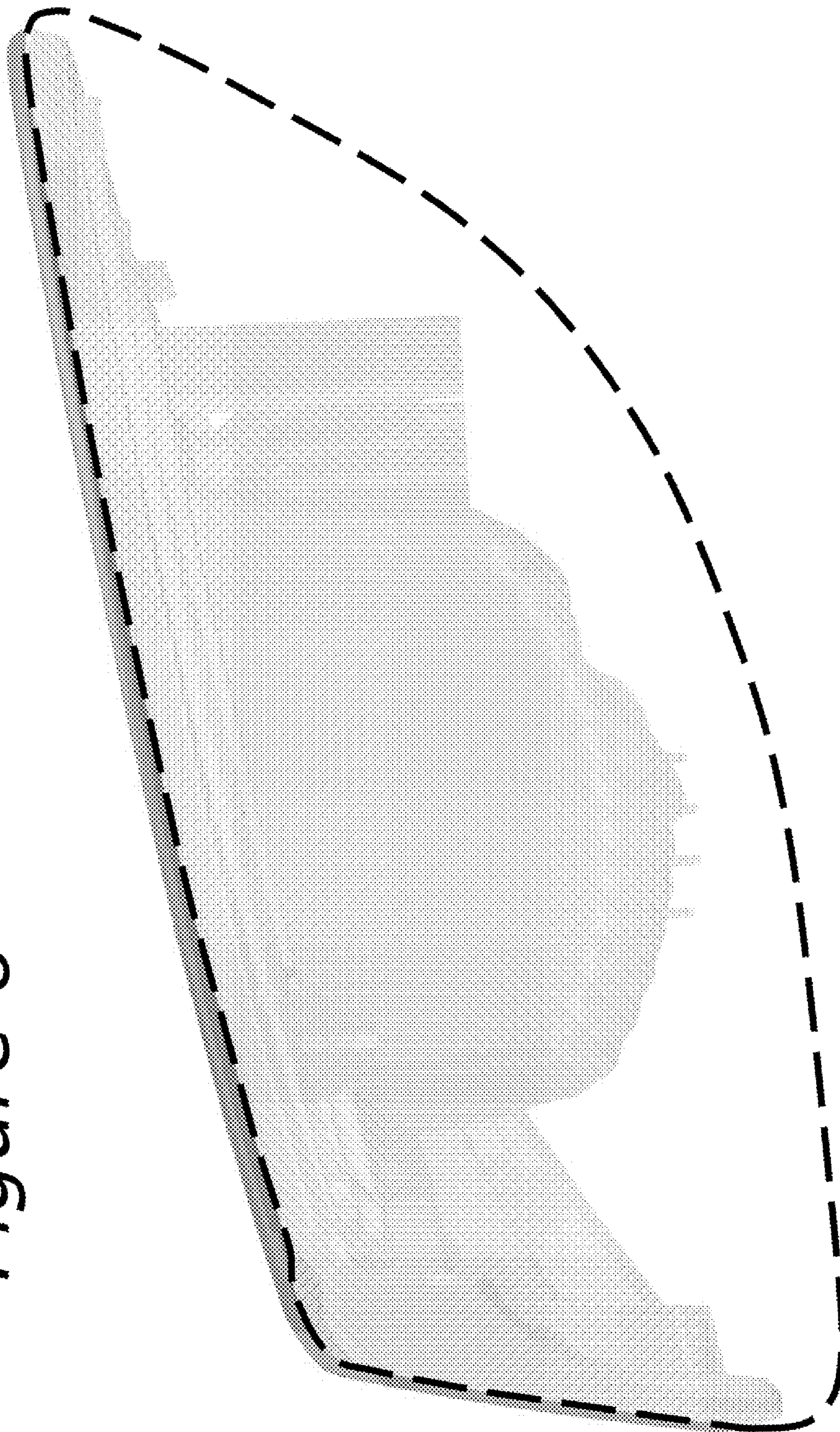




Figure 7

