

US00D606682S

(12) **United States Design Patent**
Chang

(10) **Patent No.:** **US D606,682 S**

(45) **Date of Patent:** **** Dec. 22, 2009**

(54) **SIDEMARKER AND IDENTIFICATION LAMP**

D532,125 S * 11/2006 Branstetter et al. D26/28
D578,684 S * 10/2008 Marquardt D26/28
D579,590 S * 10/2008 Lassen et al. D26/28

(75) Inventor: **Chao-Ming Chang**, Guanmiao Township, Tainan County (TW)

* cited by examiner

(73) Assignee: **Lucidity Enterprise Co., Ltd.**, Annan District, Tainan (TW)

Primary Examiner—Marcus A Jackson

(**) Term: **14 Years**

(57) **CLAIM**

(21) Appl. No.: **29/338,989**

The ornamental design for a sidemarker and identification lamp, as shown and described.

(22) Filed: **Jun. 23, 2009**

DESCRIPTION

(51) **LOC (9) Cl.** **26-06**

FIG. 1 is a perspective view of a sidemarker and identification lamp showing my design;

(52) **U.S. Cl.** **D26/28**

FIG. 2 is a front elevational view thereof;

(58) **Field of Classification Search** D26/28-36;
362/459-468, 475-478, 485-487

FIG. 3 is a rear elevational view thereof;

See application file for complete search history.

FIG. 4 is a left side elevational view thereof;

FIG. 5 is a right side elevational view thereof;

(56) **References Cited**

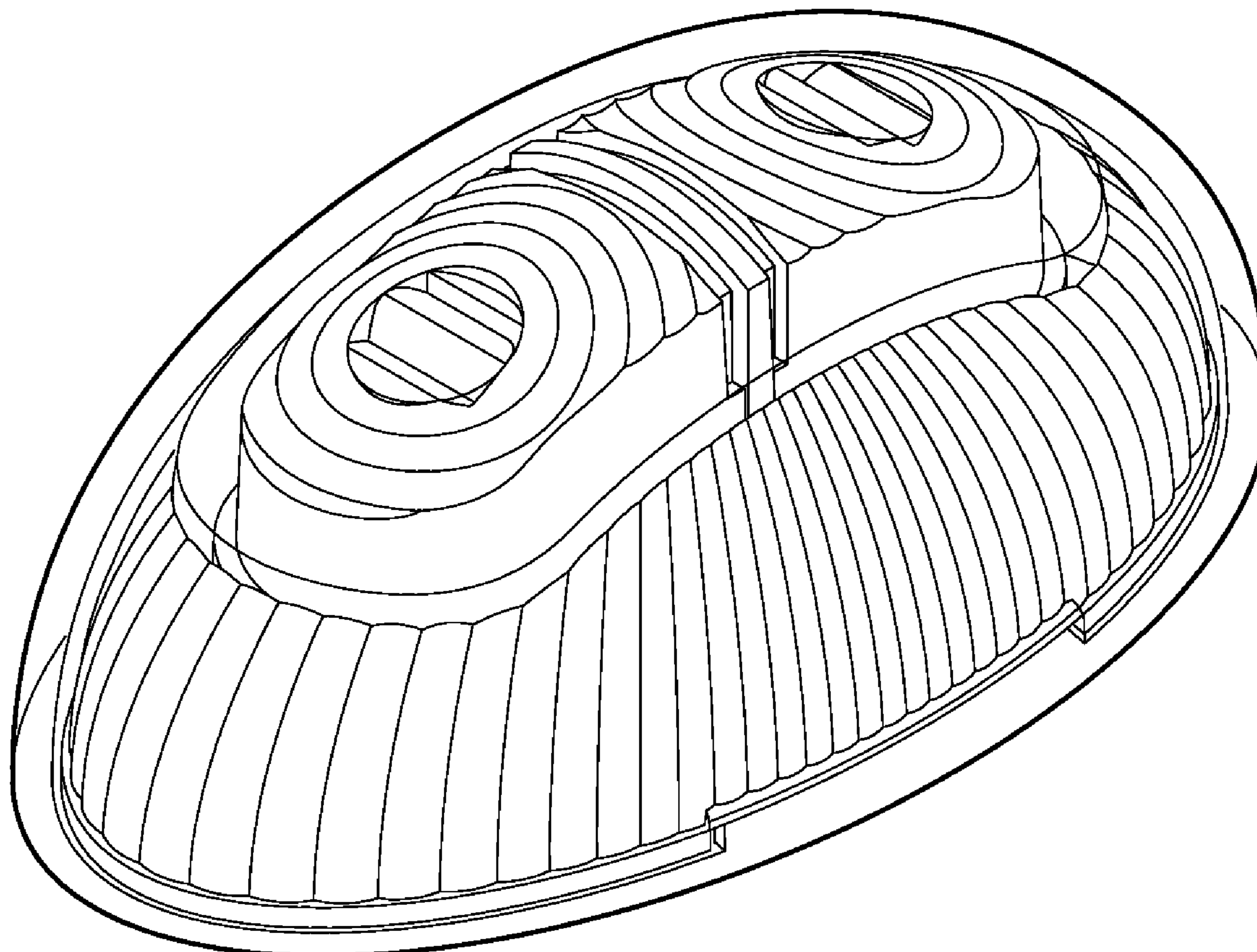
U.S. PATENT DOCUMENTS

D519,656 S * 4/2006 Howser D26/28
D524,463 S * 7/2006 Branstetter et al. D26/28
D530,437 S * 10/2006 Neufeglise et al. D26/28

FIG. 6 is a top plan view thereof; and,

FIG. 7 is a bottom plan view thereof.

1 Claim, 4 Drawing Sheets



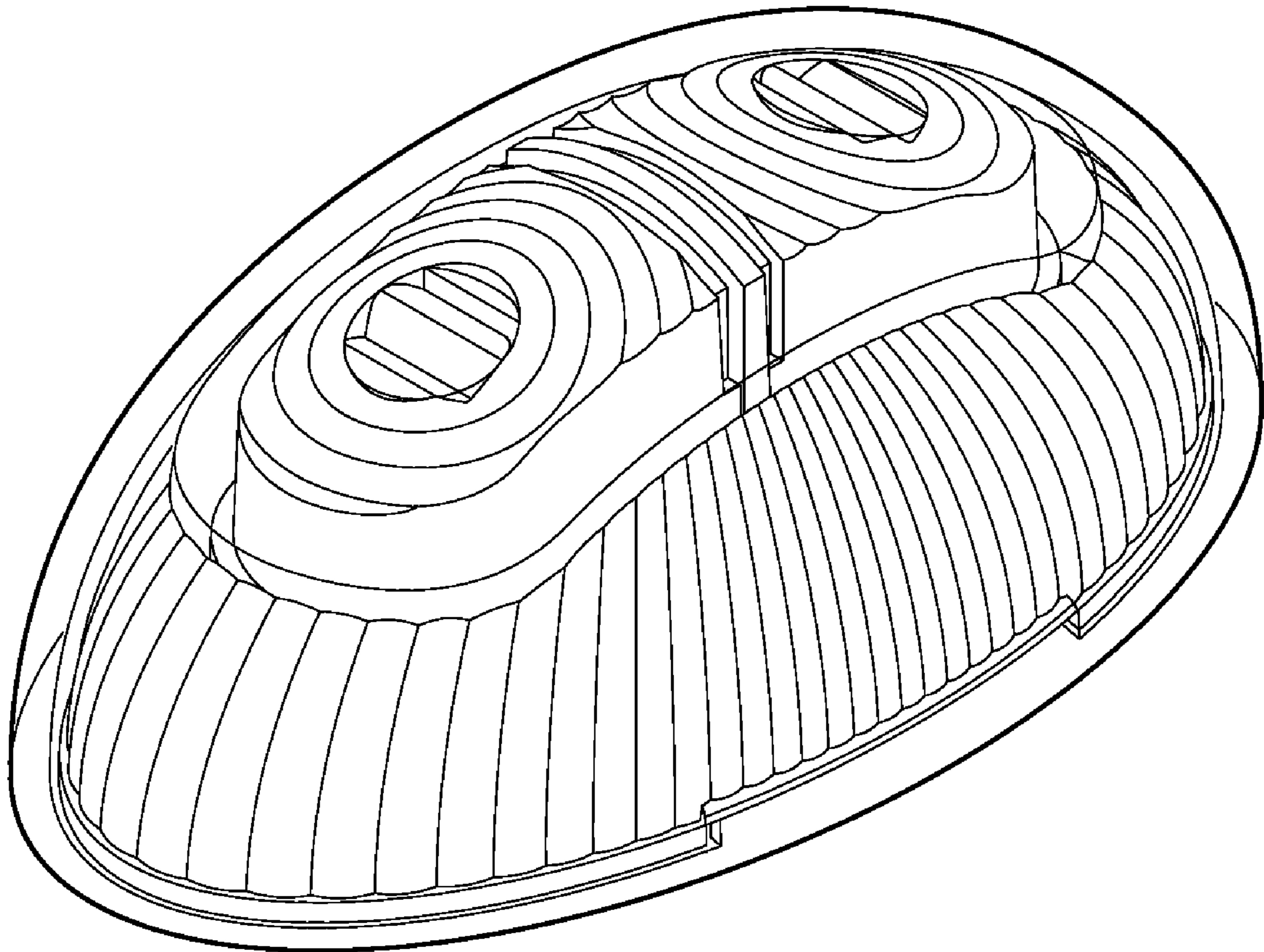


FIG. 1

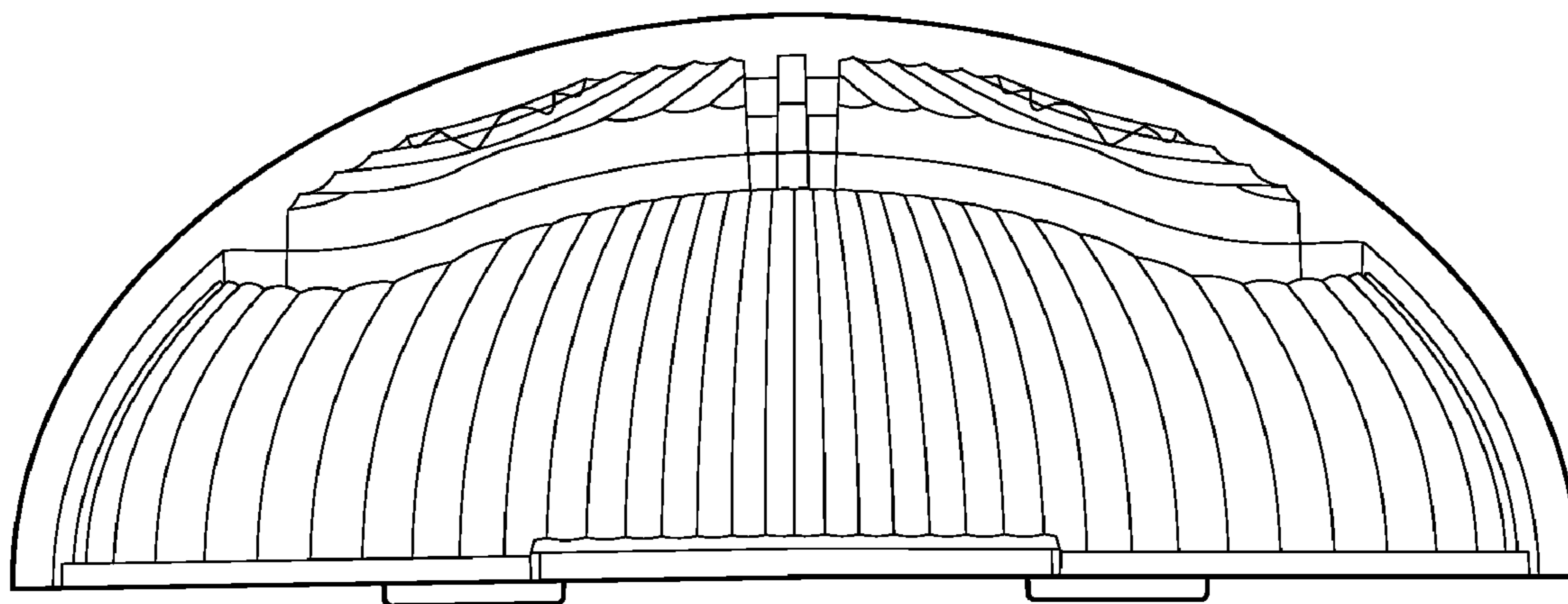


FIG. 2

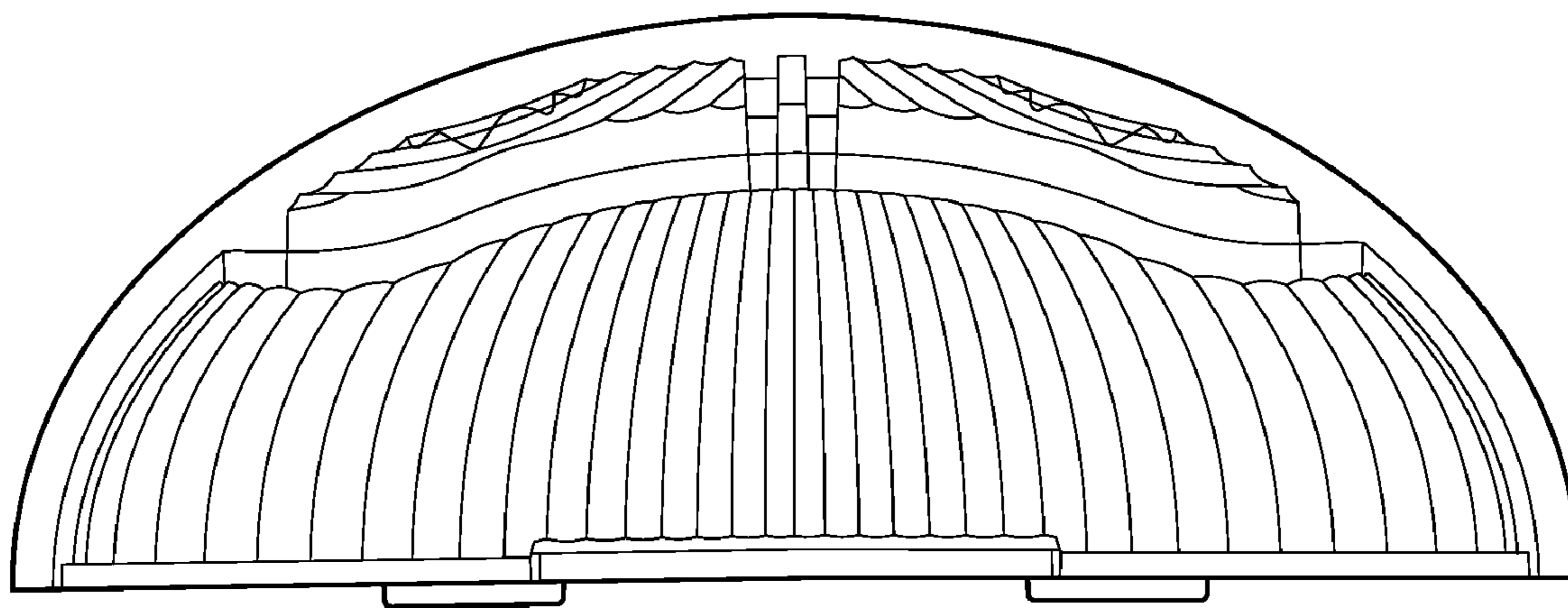


FIG. 3

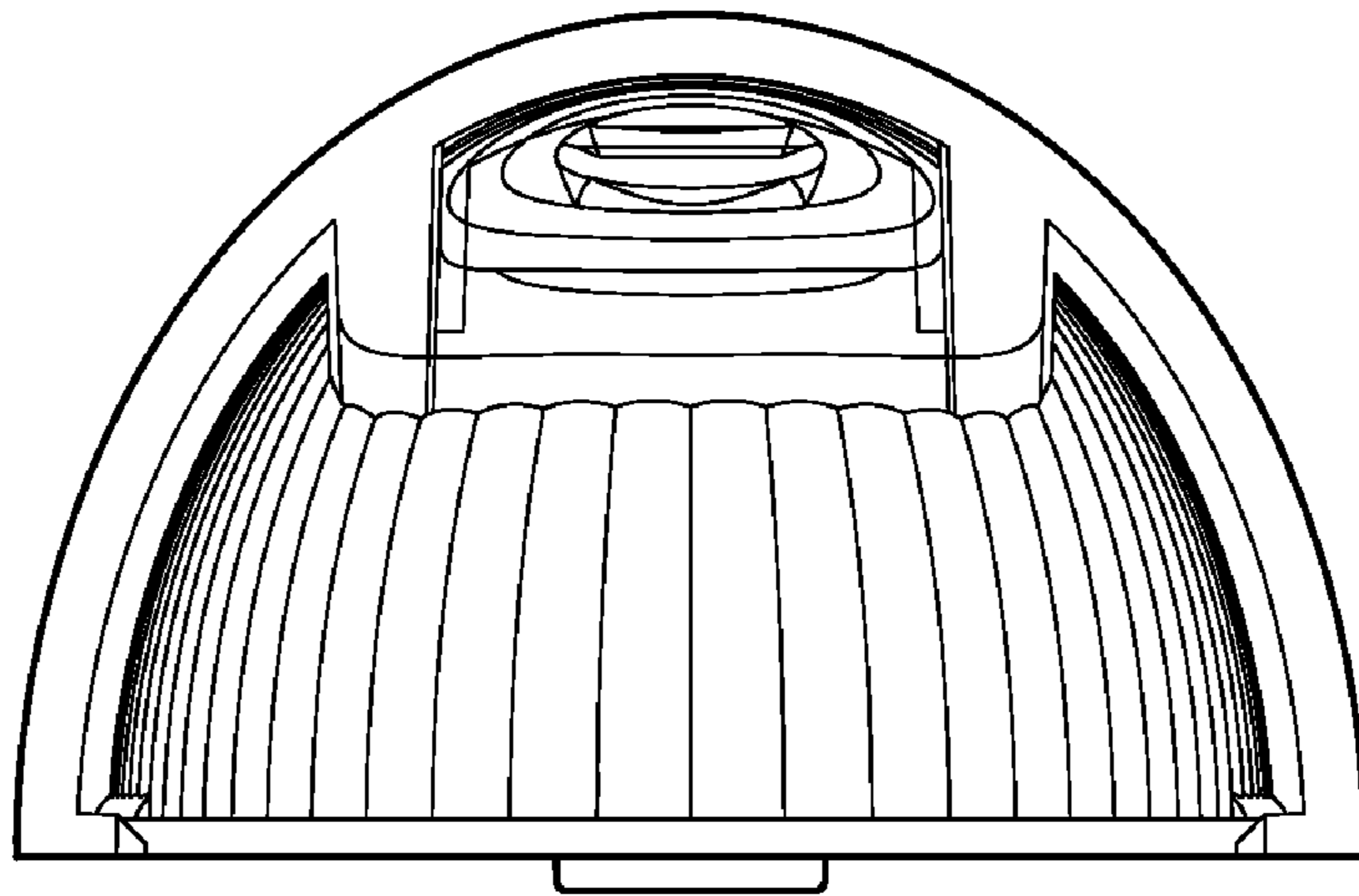


FIG. 4

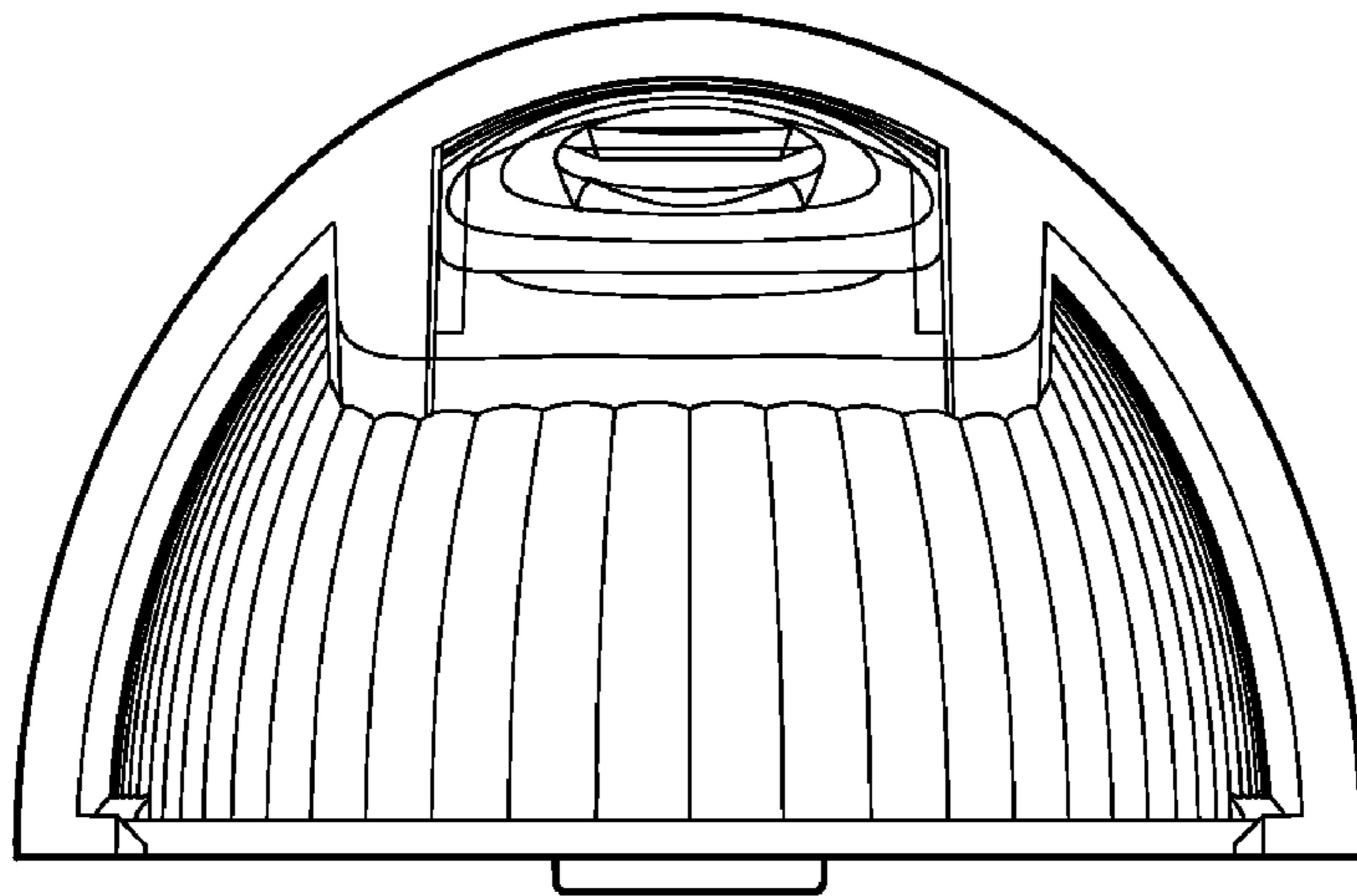


FIG. 5

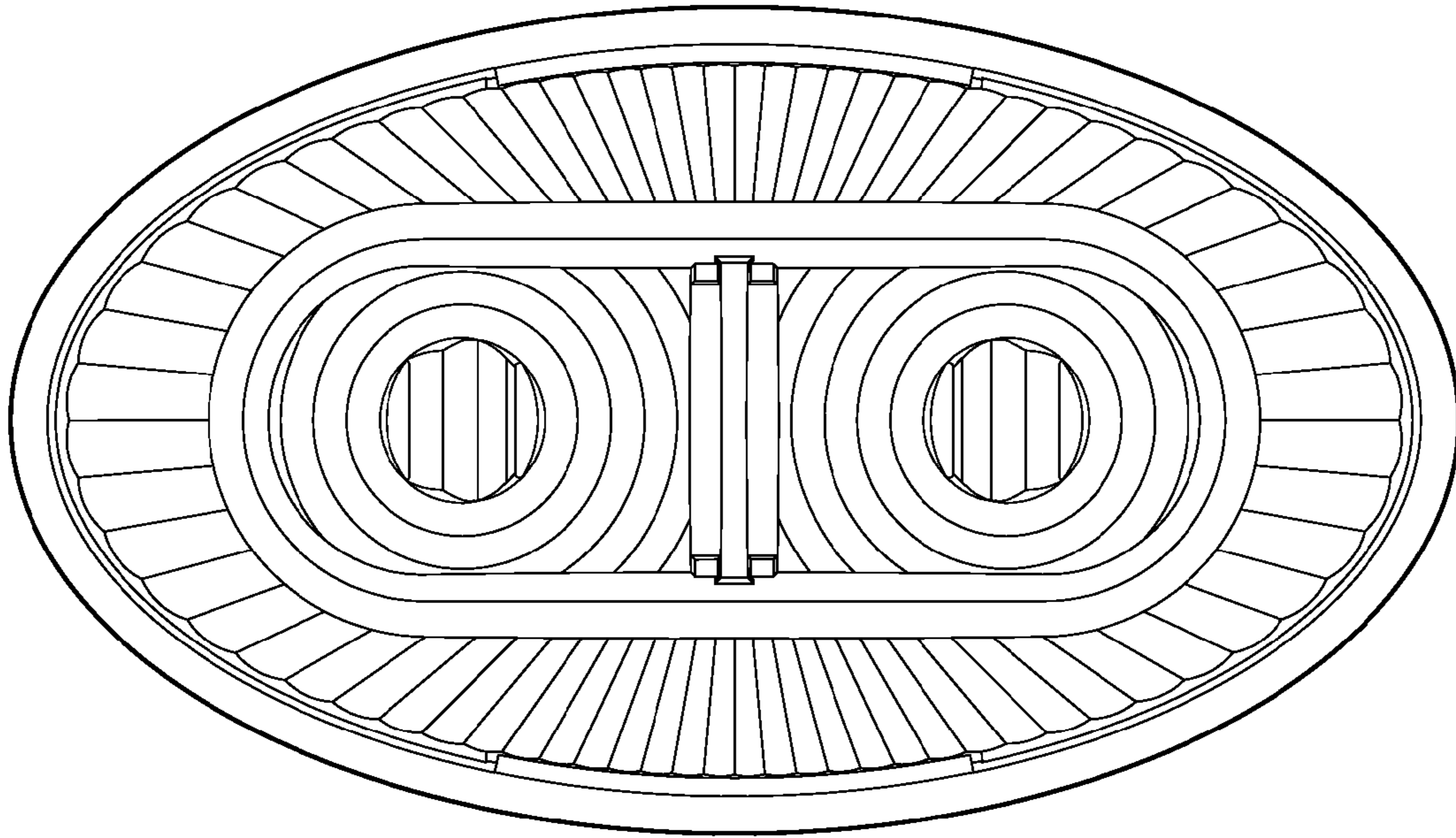


FIG. 6

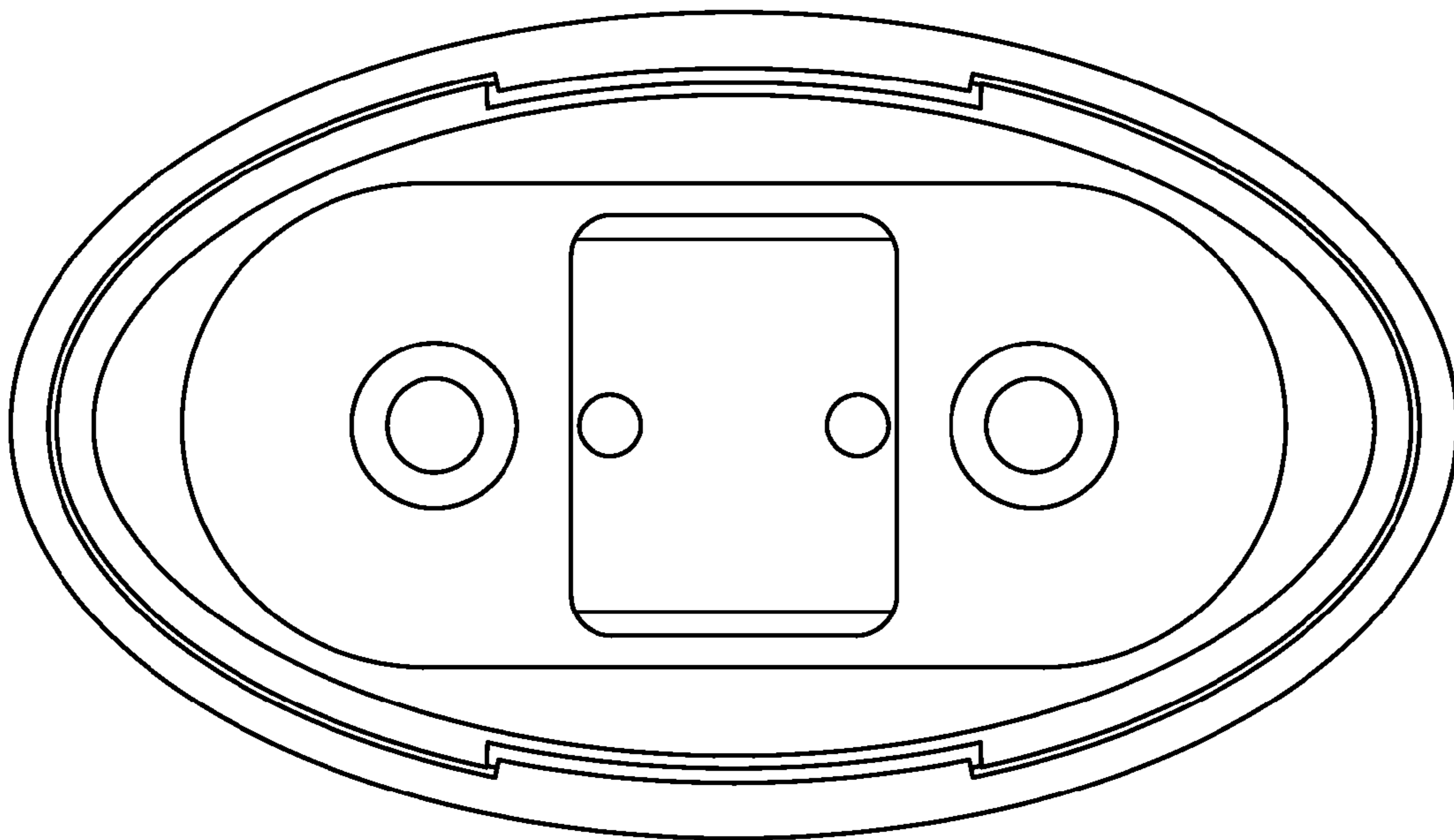


FIG. 7